

FOR THE POWER LAMPS YOU MUST USE ONLY EXTRARAPID FUSE 10.3*38 25A FERRAZ L330014J OR EQUIVALENT

TSW

VIA ISOLAGUIGNO, 105 P/Q
16013 CAMPOUSURE - GE - ITALY
+39.010.901153 Tel. +39.010.901294 Fax
email: TSWRSL1@TSW.191.IT

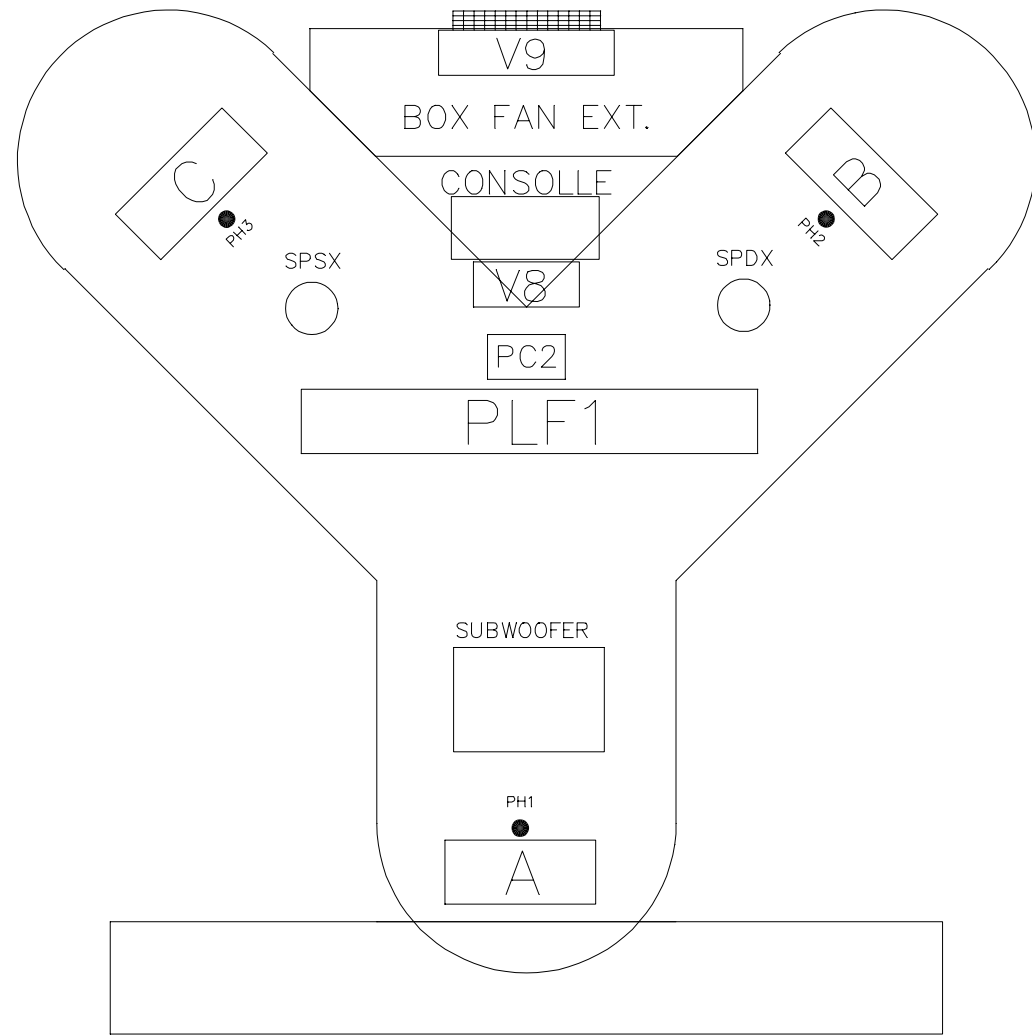
REV.	
6	NUOVA SCHEDA PC2
5	ALIMENTAZIONE SCHEDA + TERMOCONTATTI COLONNE
4	NUOVO FILTRO RETE E TIMER

Client/Draw	WHITESUN
Drawn/Date	MARZANO
Check/Date	MARZANO
Drawn/Date	MARZANO
Check/Date	MARZANO

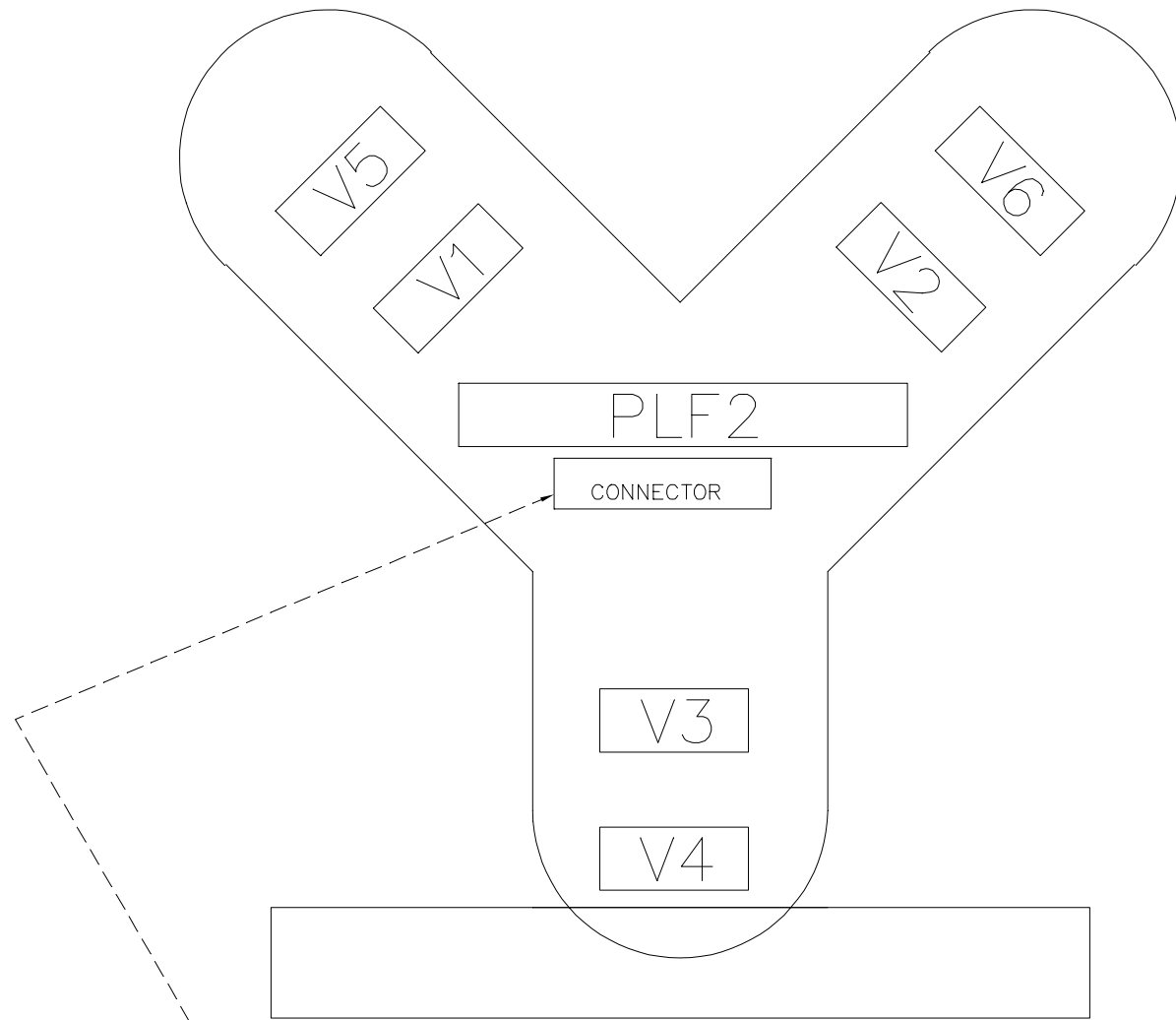
Drawn/Date	MARZANO	20/04/04
Check/Date	MARZANO	20/04/04
Drawn/Date	MARZANO	20/04/04
Check/Date	MARZANO	20/04/04

REV.	
6	

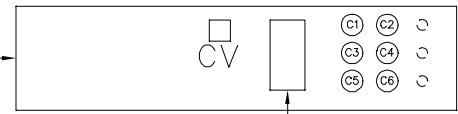
HEAD SIDE
REAR VIEW



FEET SIDE
REAR VIEW



SEE
DETAIL



TERMINAL BLOCK
AND CONNECTOR
FOR FANS

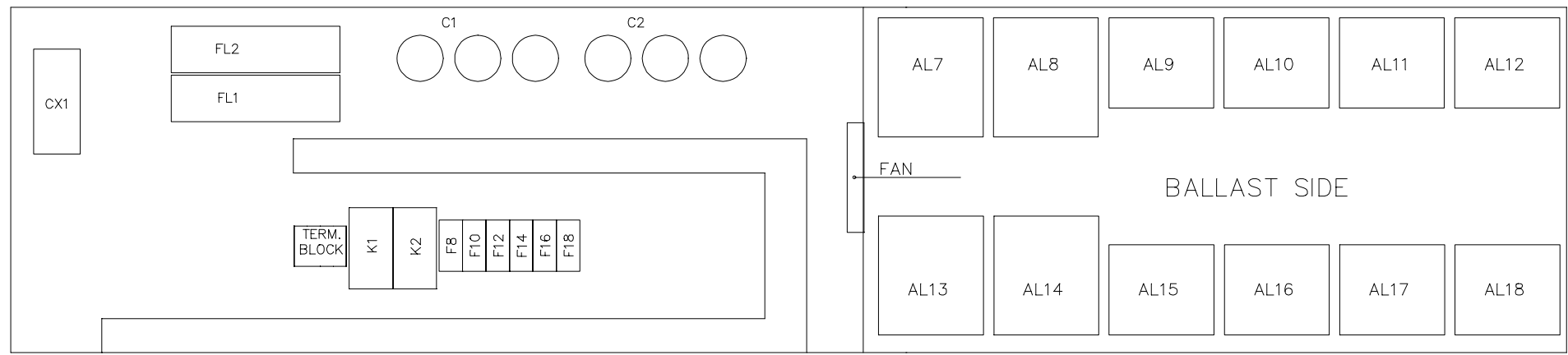
Cliente/Client	WHITESUN	Disegnato/Drawn:	MARZANO	Controllato/Check :	MARZANO	REV.
Titolo/Title	VELOCITY BODY UP USA VERSION 230 Vac - 3 Phase	Disegno N°/Drawing N°	BODY_Y_ELE_220	Data/Date	20/04/04	
		Comm./Job	Scala/Scale	Foglio/Sheet	3	Segue/next
		-			4	6



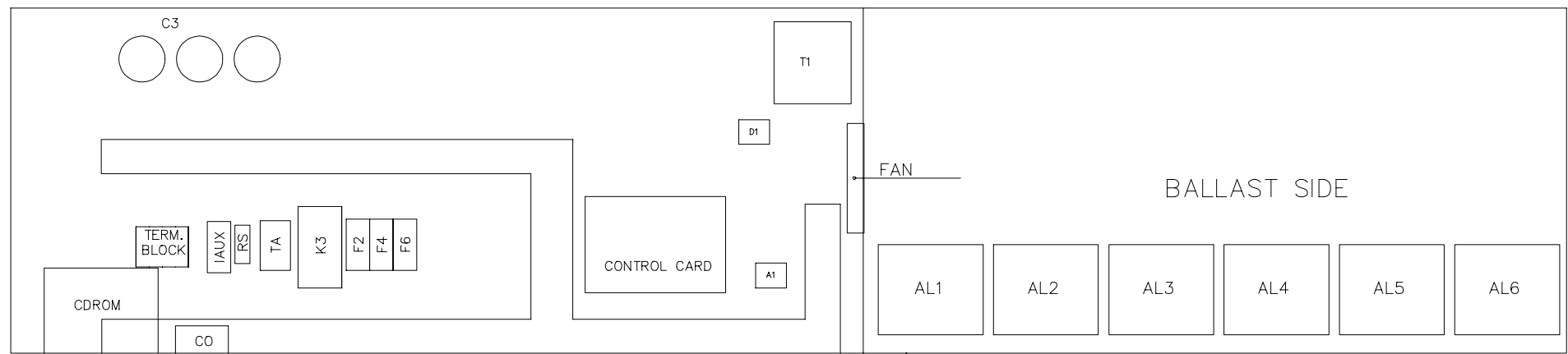
VIA ISOLAGIUGNO, 105 P/Q
16013 CAMPOLIGURE - GE - ITALY
+39.010.921153 Tel. +39.010.9217294 Fax
email: TSWR1@TSW.191.IT

FEET SIDE
BOTTOM SIDE

HEAD SIDE
TOP SIDE



FRONT VIEW



VIA ISOLAGIUGNO, 105 P/Q
16013 CAMPOLIGURE - GE - ITALY
+39.010.921153 Tel. +39.010.9217294 Fax
email: TSWR1@TSW.191.IT

Cliente/Cient	WHITESUN	Disegnato/Drawn:	MARZANO	Controllato/Check :	MARZANO	REV.
Titolo/Title	VELOCITY BODY UP USA VERSION 230 Vac - 3 Phase	Disegno N°/Drawing N°	BODY_Y_ELE_220	Data/Date	20/04/04	
		Comm./Job	-	Scala/Scale		
		Foglio/Sheet	2	Segue/next	3	6

