

30298-01, REV A  
434-3F TIMER BOX

BED  
FRONT

BED  
BACK

PINS  
1-12, 14, 15

TO CONTACTOR  
BOX

FROM CONTACTOR  
BOX

TO CONTACTOR  
BOX

FROM CONTACTOR  
BOX

FROM CONTACTOR  
BOX

FROM CONTACTOR  
BOX

RJ-45 8P8C 12ft  
28190-01  
TO DISPLAY  
OR OPTIONAL  
PYTHON AMP  
USING  
28192-01  
RJ-45 8P8C  
3ft

PINS  
1,2, 4,5, 7,8  
BLK BLK BLK  
BLU BLU BLU  
L1 L2 L3

PINS  
3,6,9

RED

RED

BLK

29912-01

29912-01

28188-01

STP CAT5e

2ft

8P8C RJ-45

24911-01

BLK

28190-01

28188-01

29912-01

29912-01

29964-01

29829-01

30120-01

29833-01

29829-01

10081

10AMP FUSE

29829-01

29829-01

29829-01

29829-01

29829-01

29829-01

29829-01

29829-01

29829-01

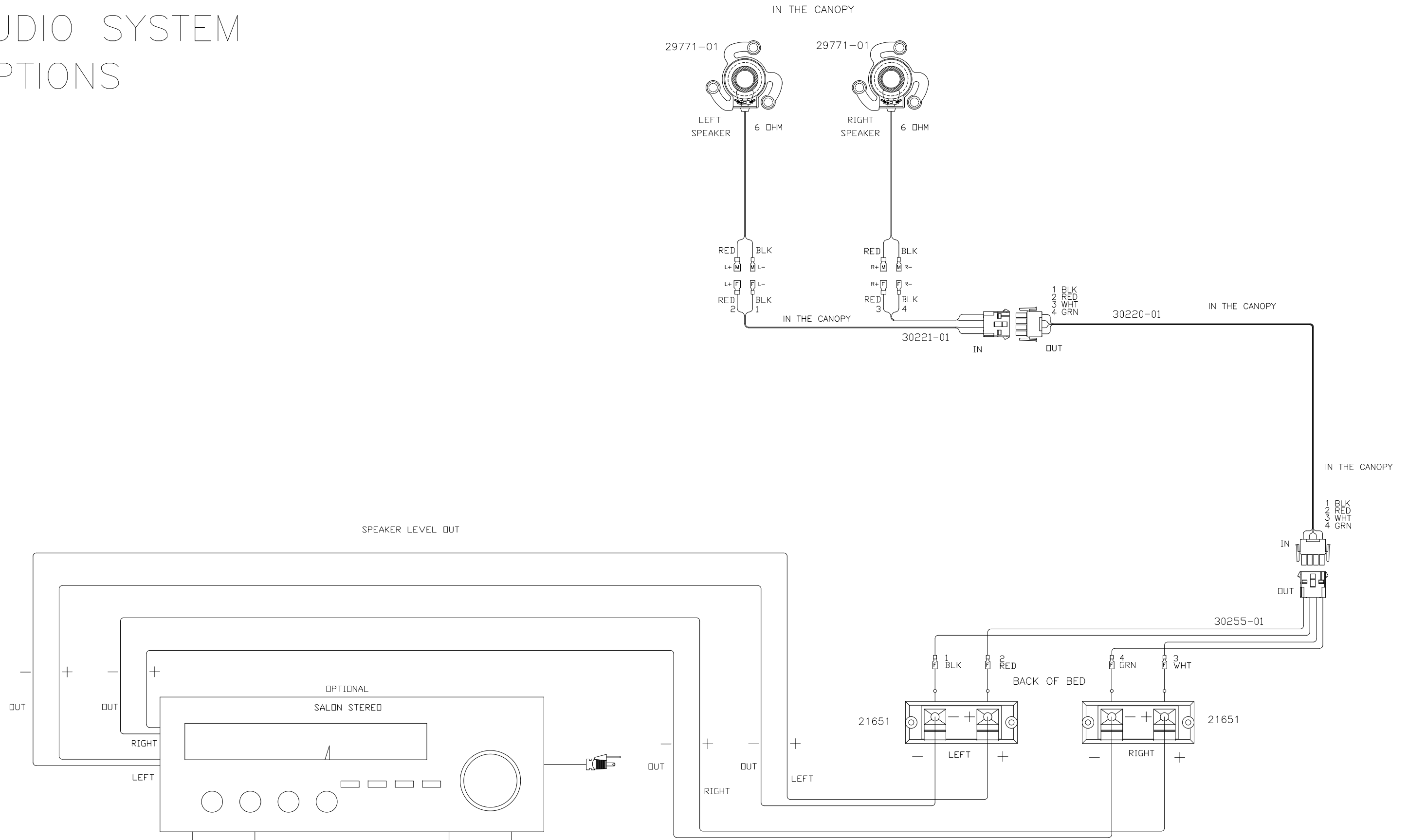
29829-01





# 30299-01, REV A 434-3F WHOLE AUDIO SYSTEM OPTIONS

## SALON AUDIO SYSTEM CONFIGURATION SYSTEM WIDE

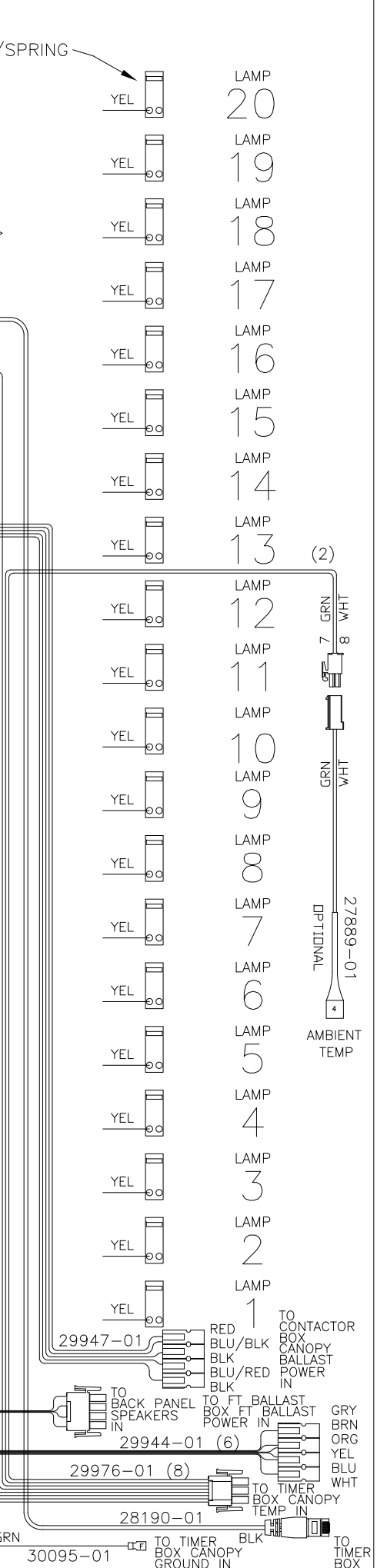
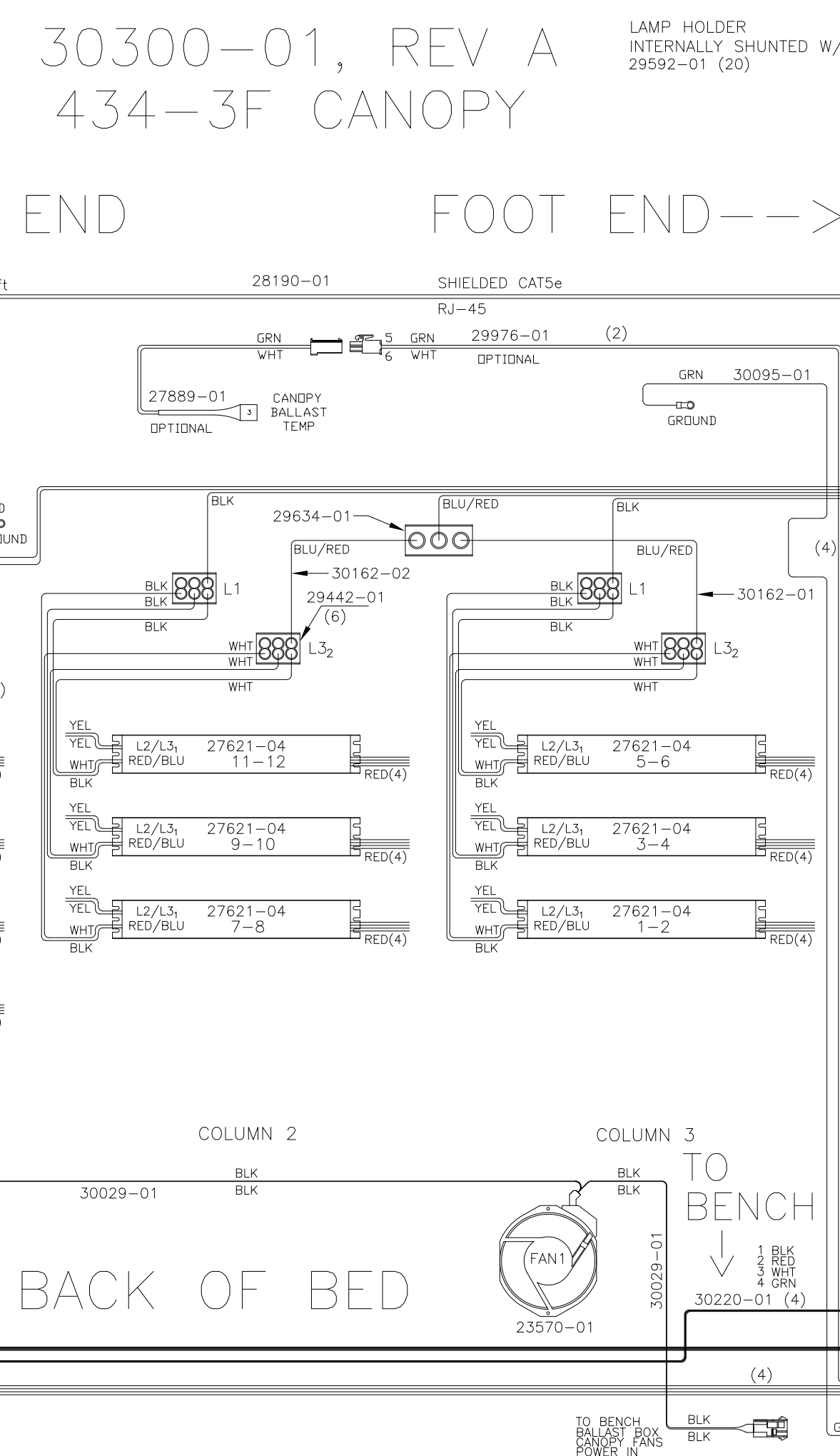
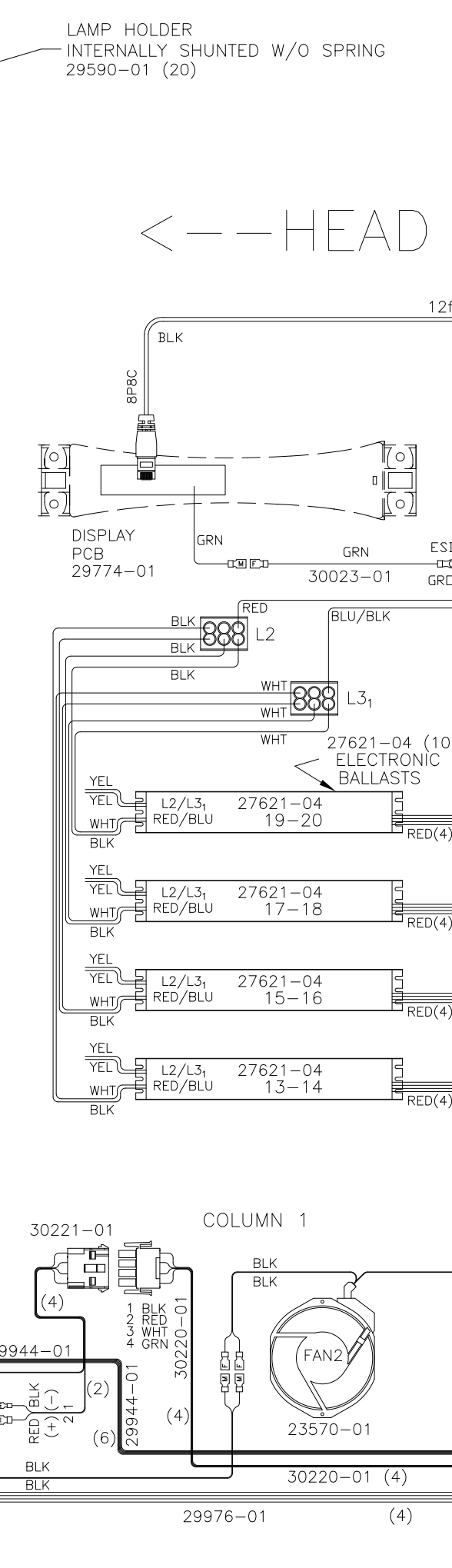
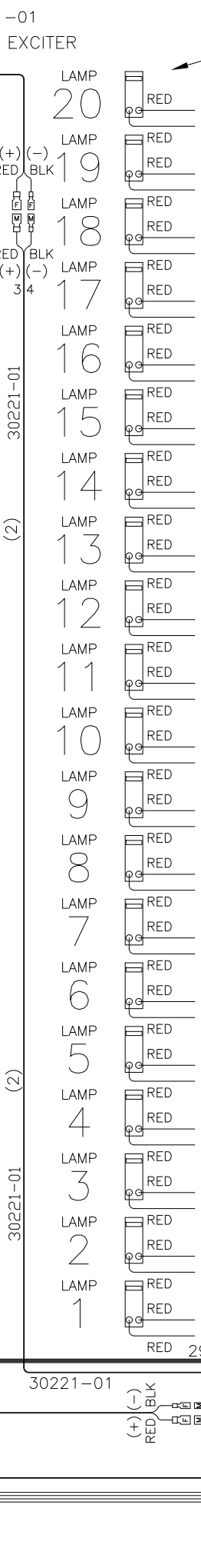
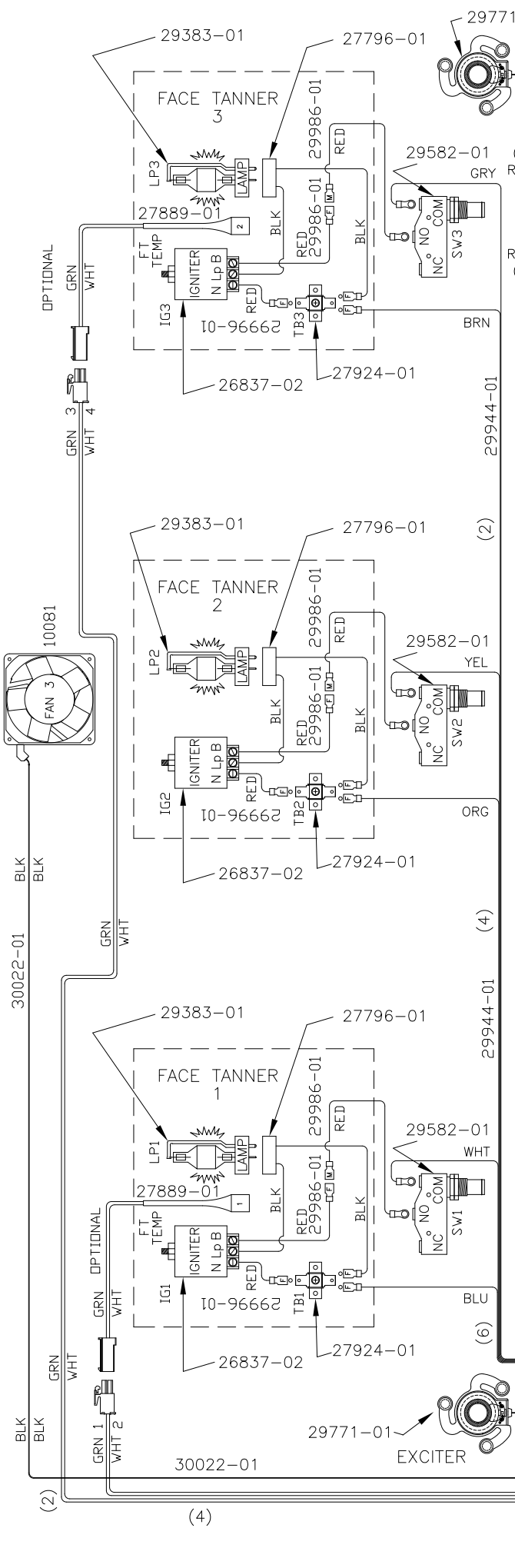
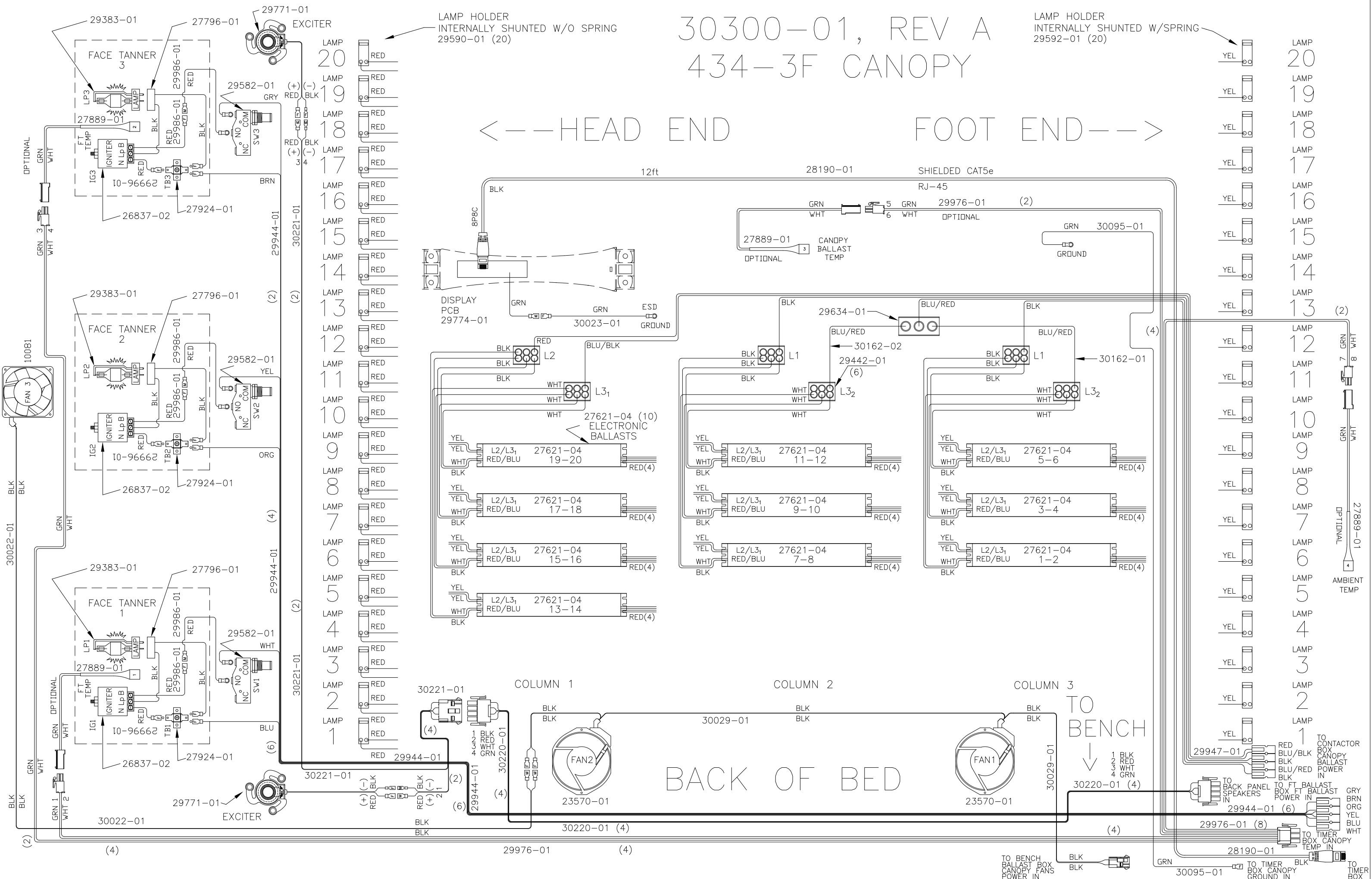


# 30300-01, REV A 434-3F CANOPY

LAMP HOLDER INTERNALLY SHUNTED W/SPRING 29592-01 (20)

LAMP HOLDER INTERNALLY SHUNTED W/O SPRING 29590-01 (20)

<--- HEAD END FOOT END --->



30300-01, REV A

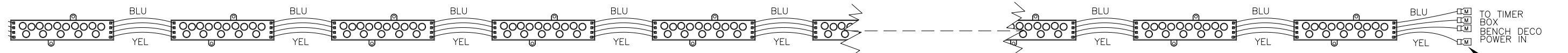
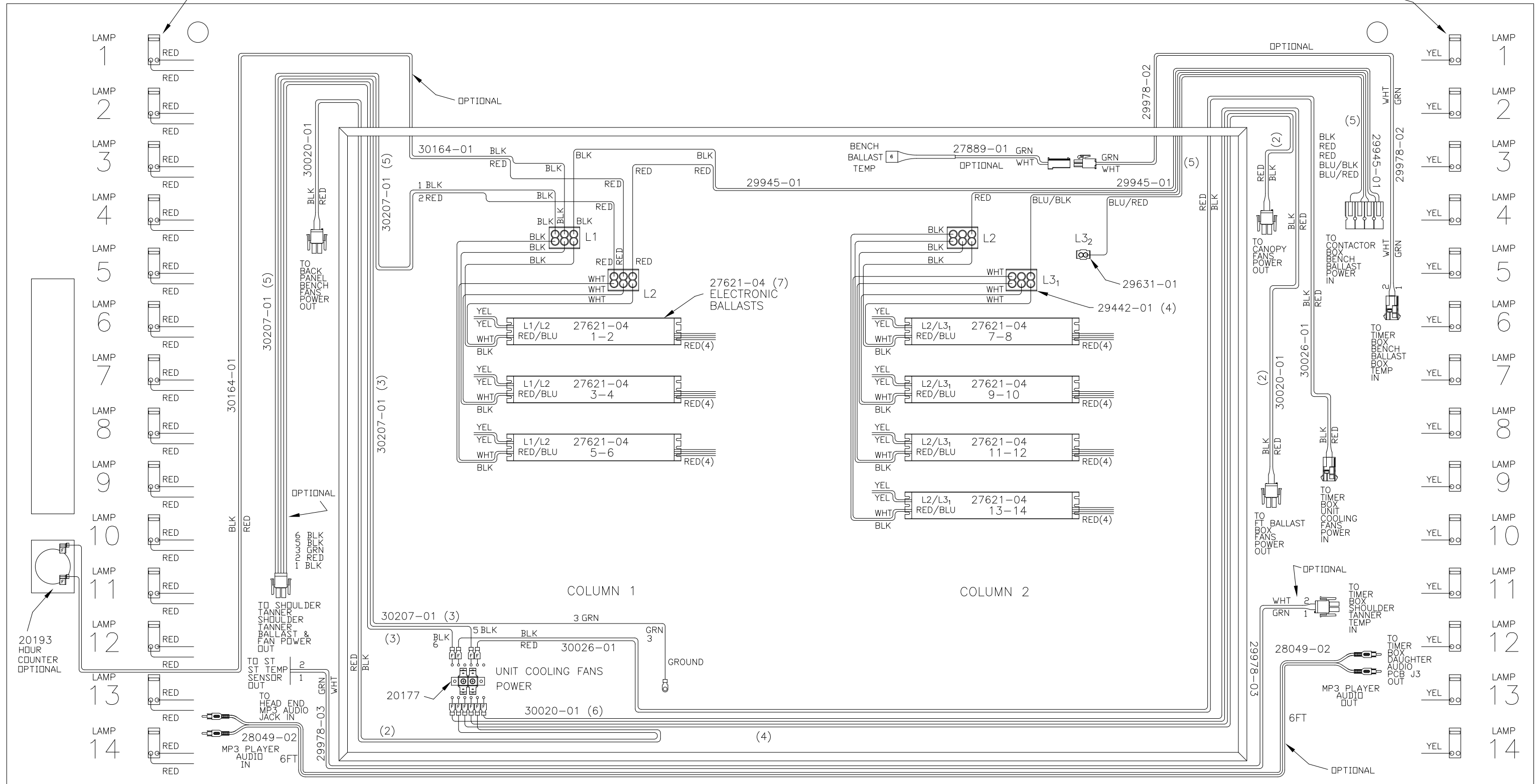
434-3F BENCH

<---HEAD END

FOOT END--->

LAMP HOLDER INTERNALLY SHUNTED W/O SPRING 29590-01 (14)

LAMP HOLDER INTERNALLY SHUNTED W/SPRING 29592-01 (14)



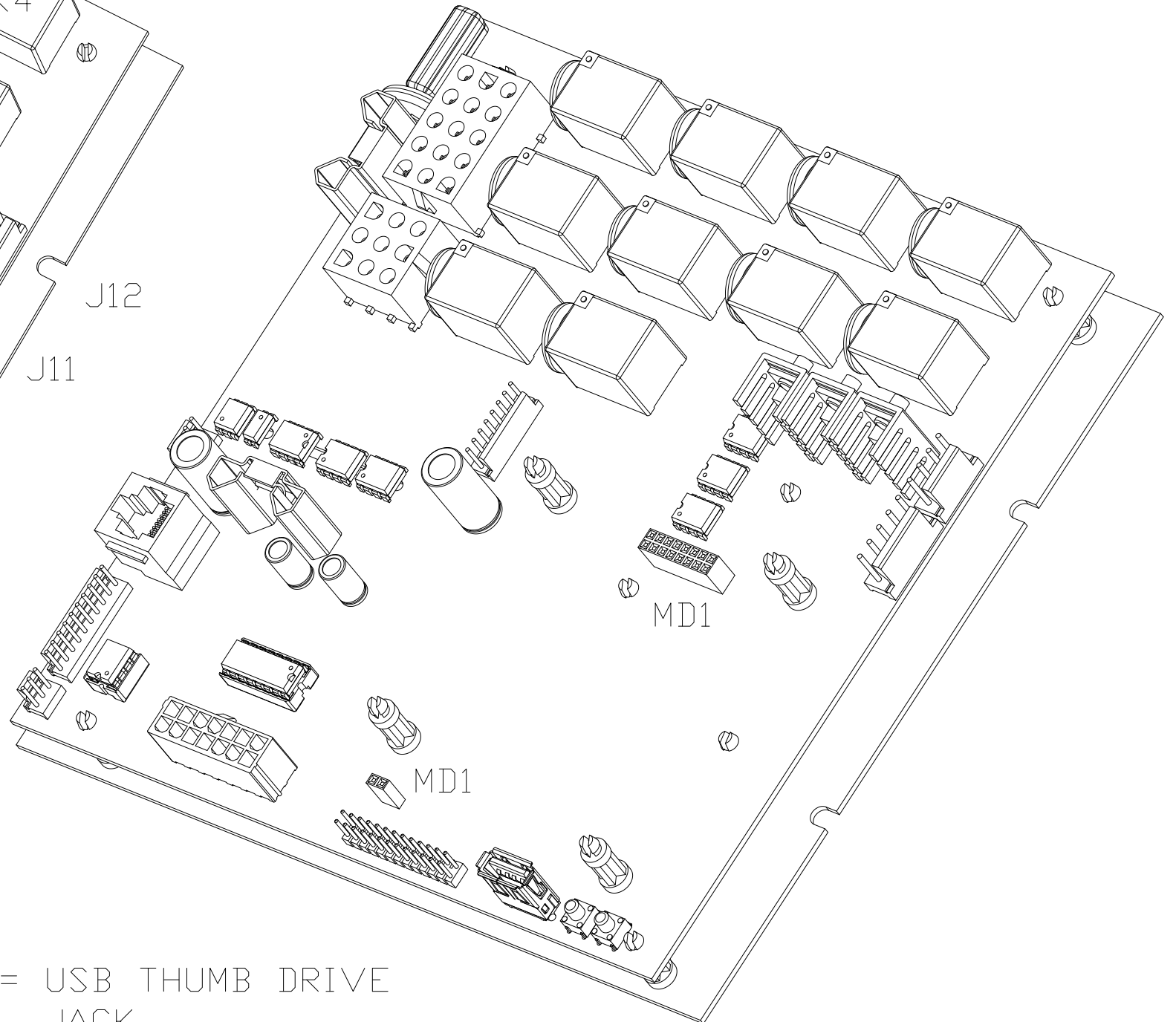
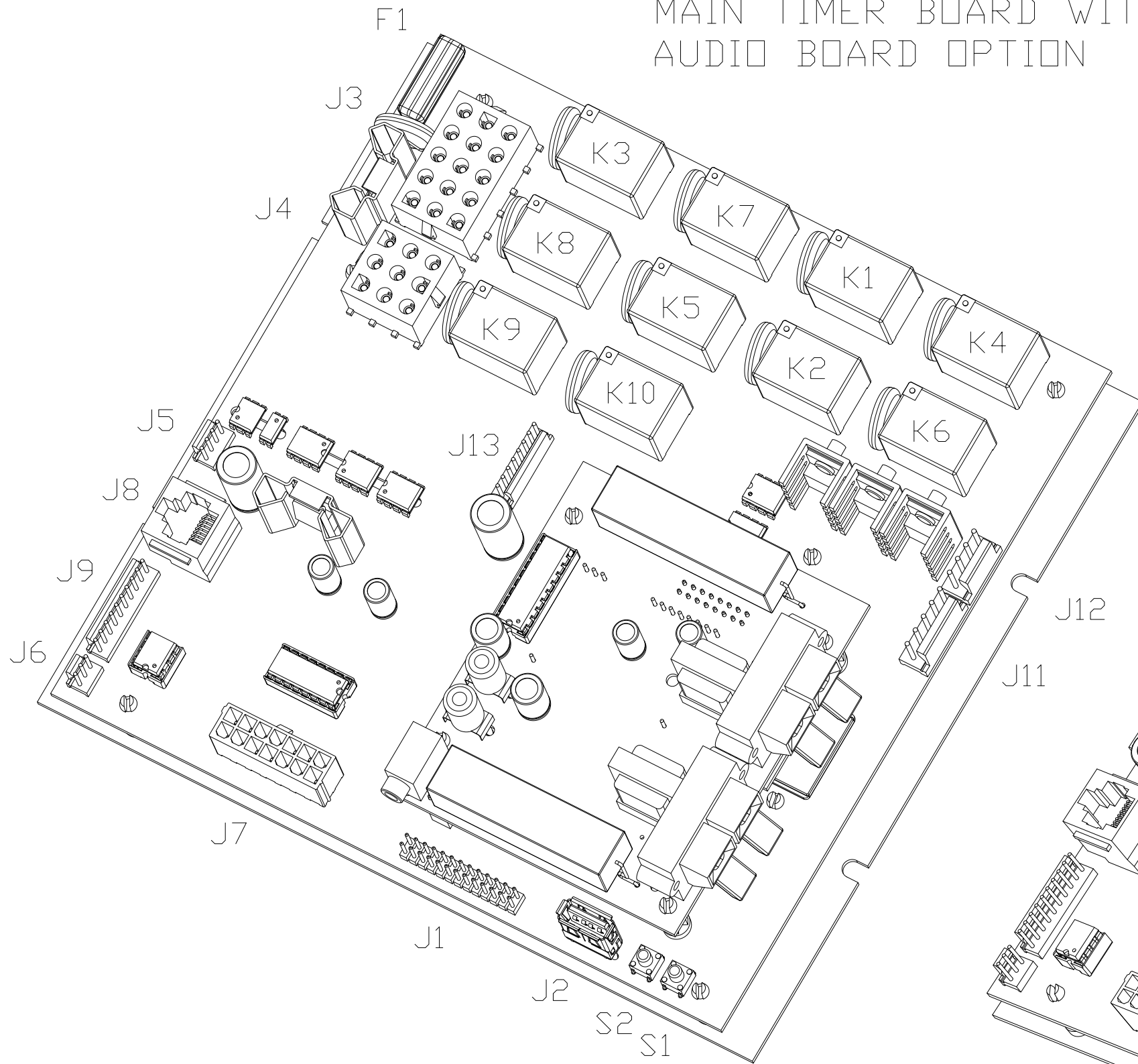
FRONT

29688-01 LED MODULES TO TIMER BOX DAUGHTER AUDIO PCB J3 OUT YEL YEL YEL YEL TO TIMER BOX BENCH DECO POWER IN MALE Q.D. 30139-01 (4)

MAIN TIMER BOARD WITH THE  
AUDIO BOARD OPTION

30301-01, REV A  
434-3F TIMER  
PCB

MAIN TIMER BOARD WITHOUT  
THE AUDIO BOARD OPTION



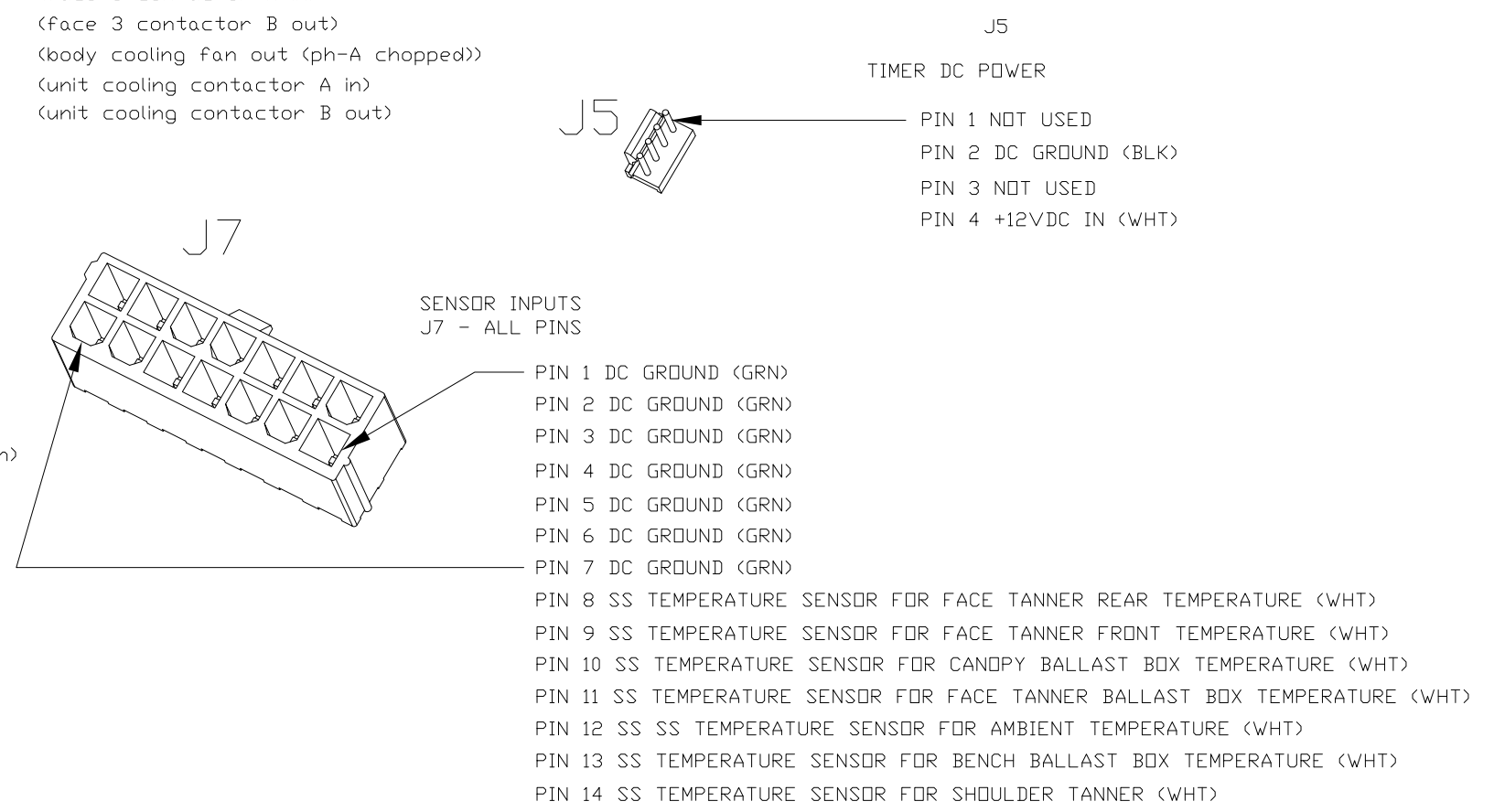
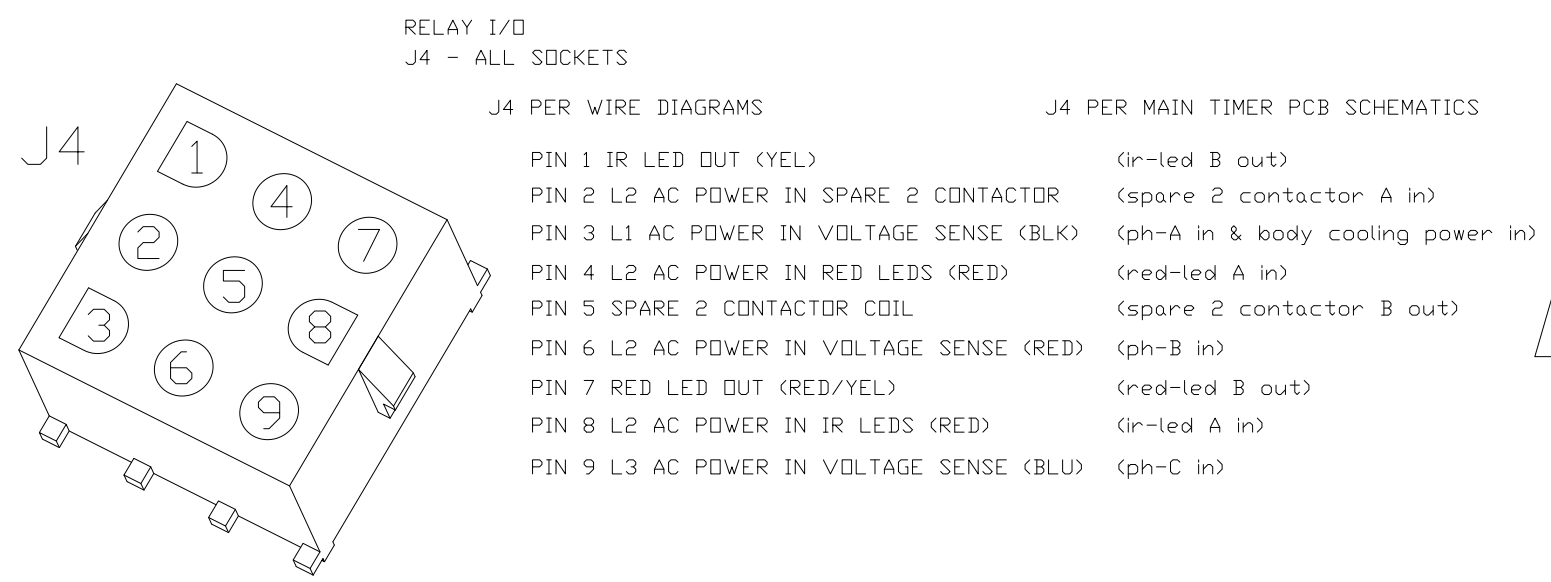
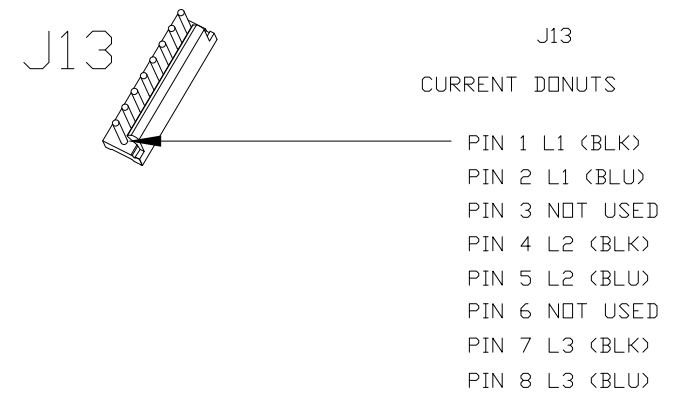
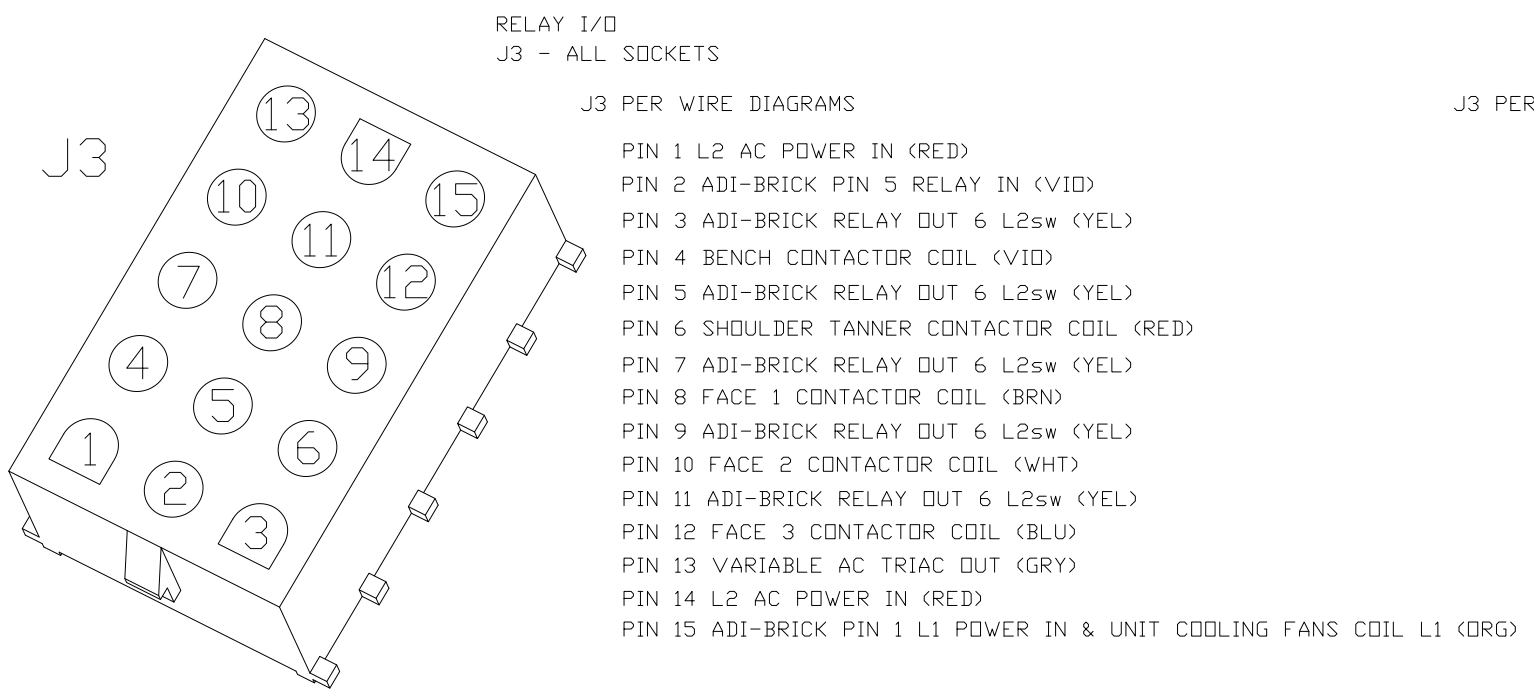
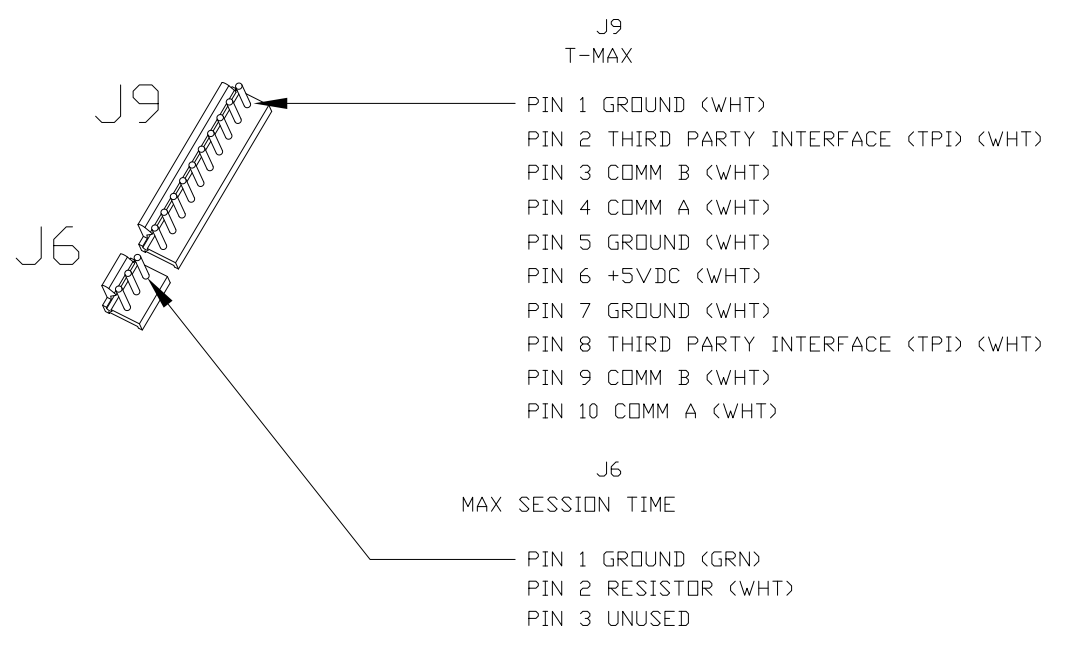
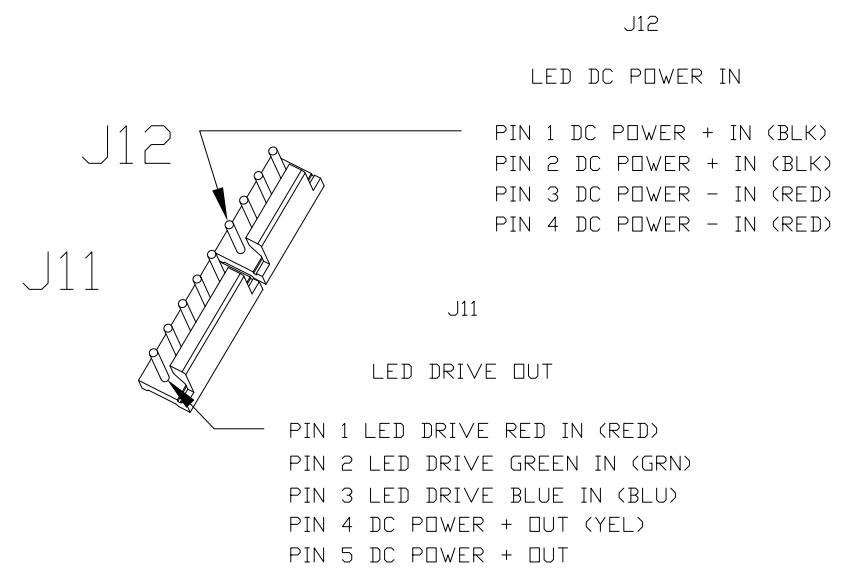
F1 = 10A/250VAC  
5x20mm FUSE



J2 = USB THUMB DRIVE  
JACK

# 30301-01, REV A 434-3F TIMER PCB HEADERS

## MAIN TIMER BOARD HEADERS



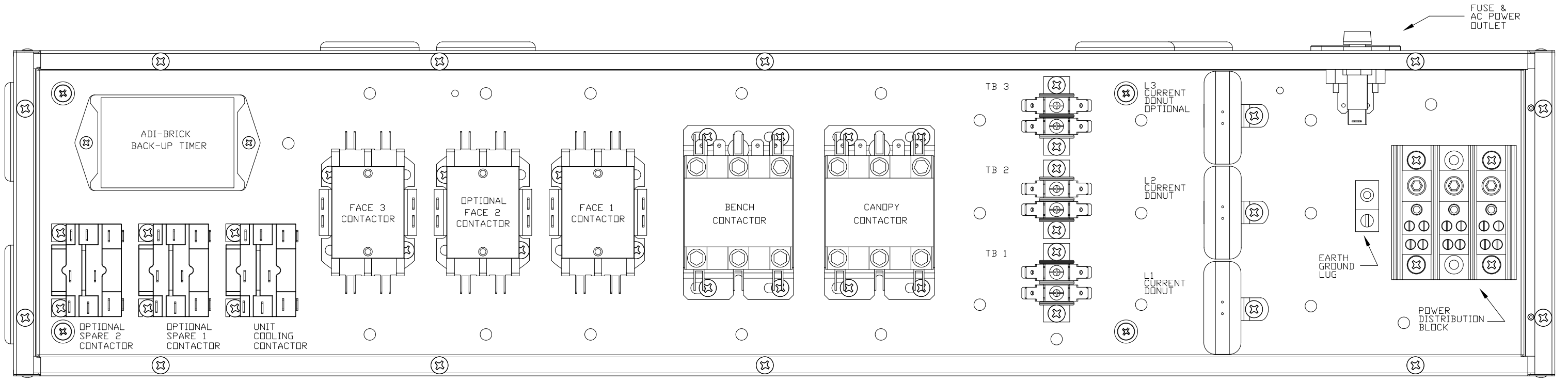


30302-01, REV A  
434-3F CONTACTOR BOX

FOOT END

FRONT OF BED

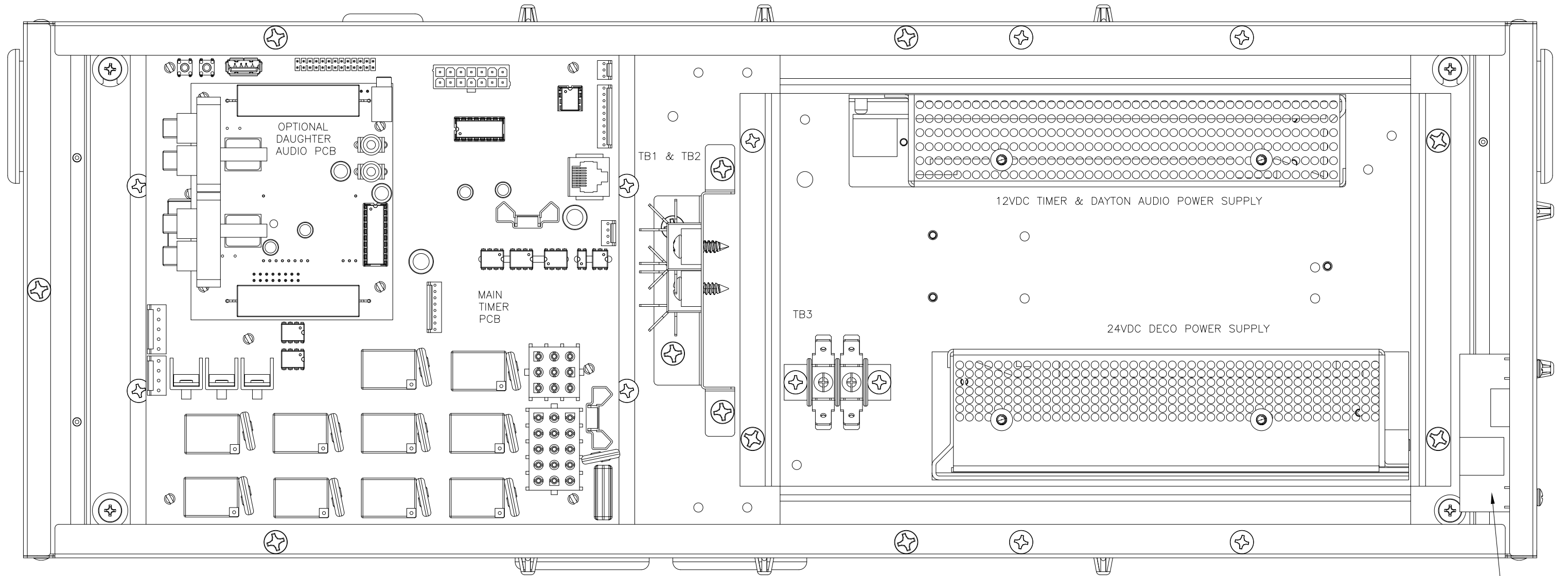
BACK OF BED



30302-01, REV A  
434-3F TIMER BOX  
FOOT END

FRONT OF BED

BACK OF BED

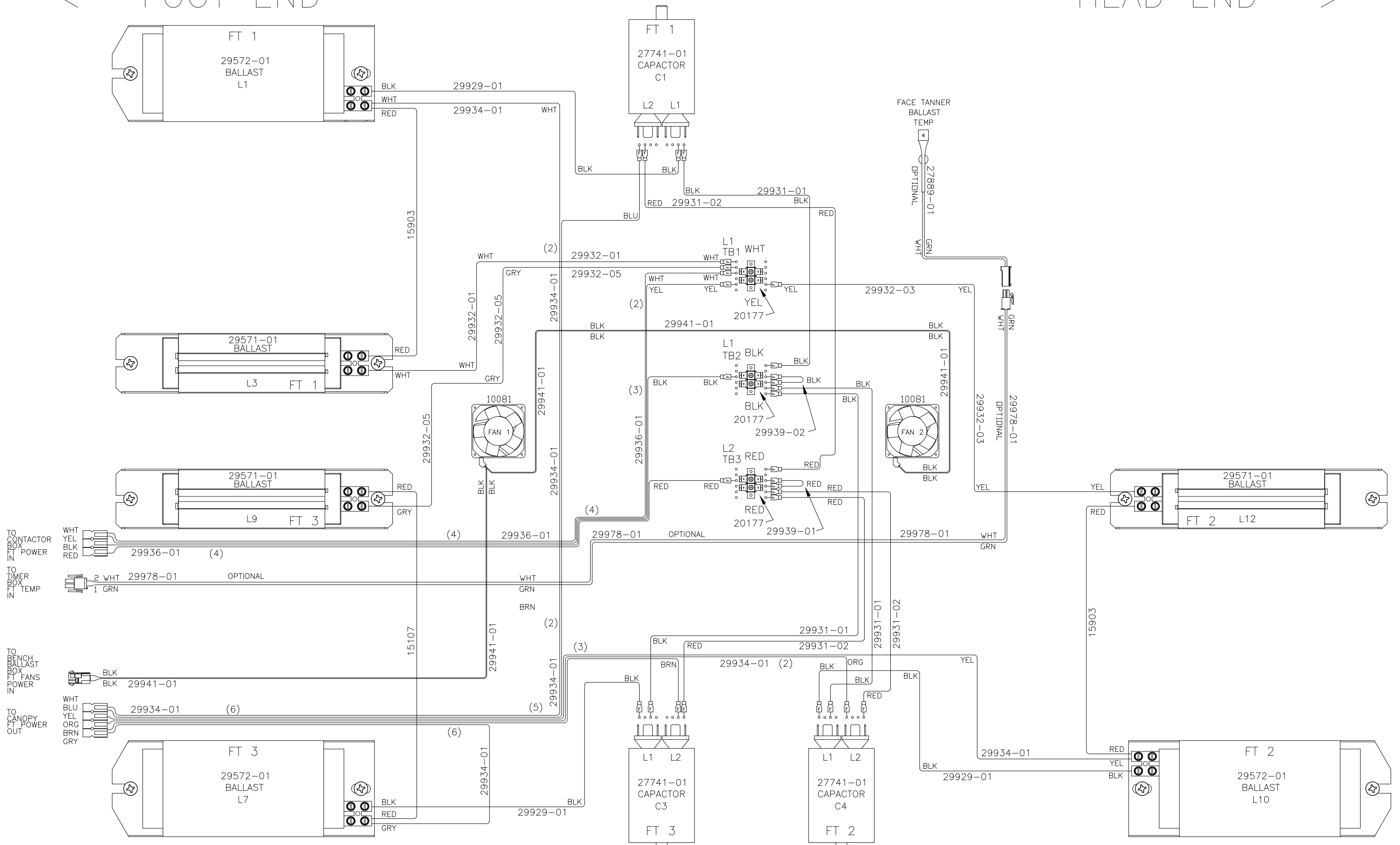


RJ-45 TO  
RJ-45  
FEED THROUGH  
PCB

<---FOOT END

TOP

HEAD END--->



30303-01, REV A

434-3F FACE TANNER BALLAST BOX

30303-01,  
REV A

434-3F SECTION OF THE BACK PANEL

