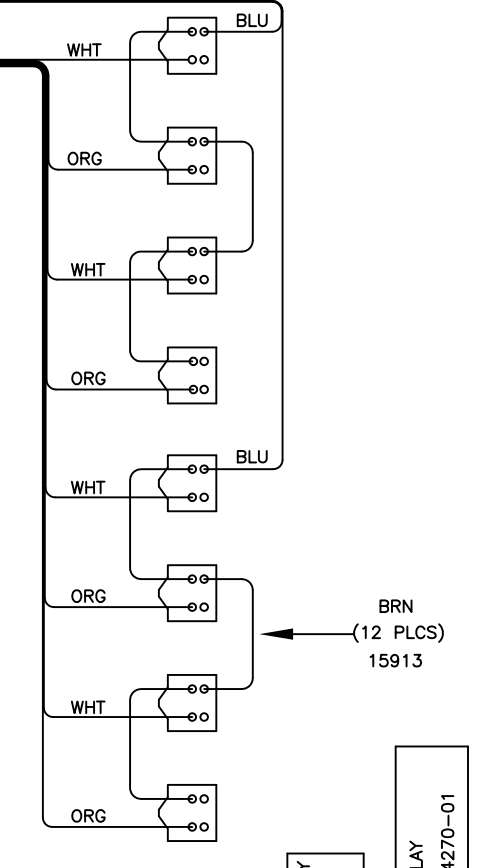
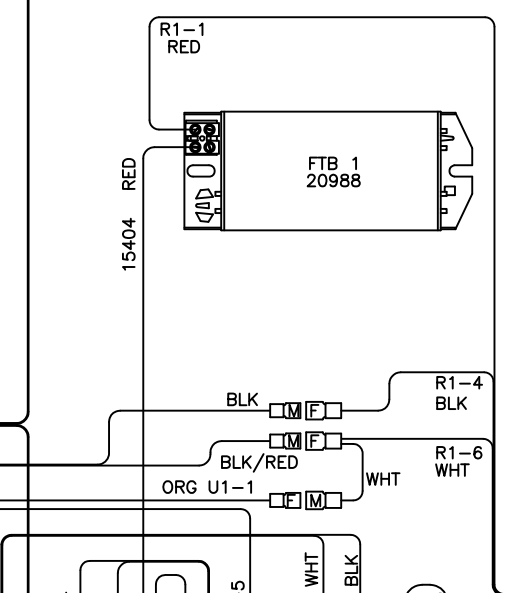
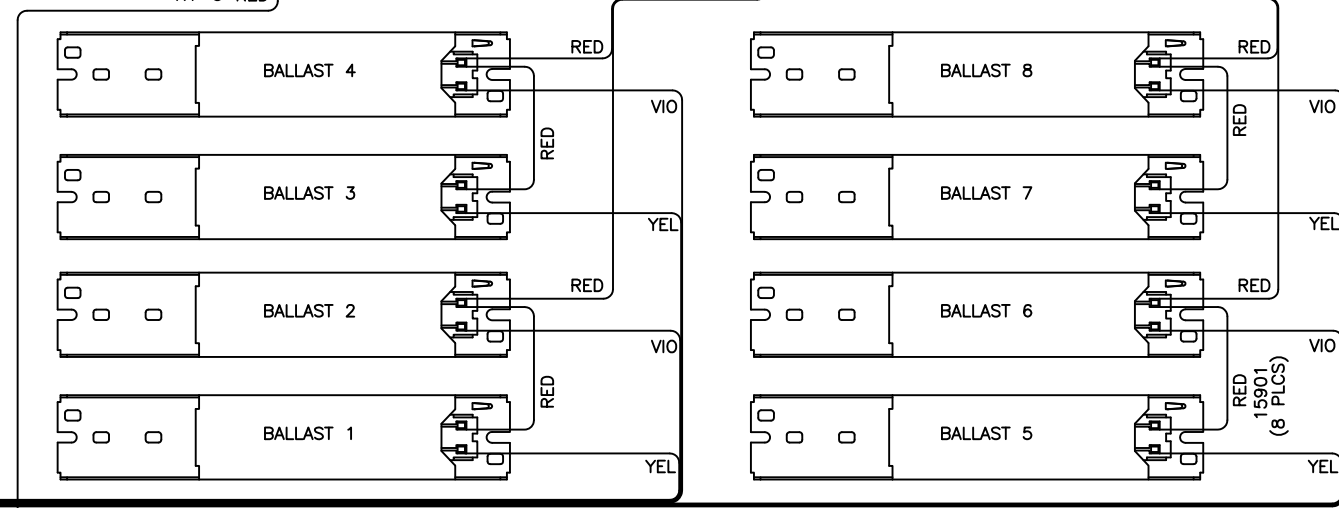
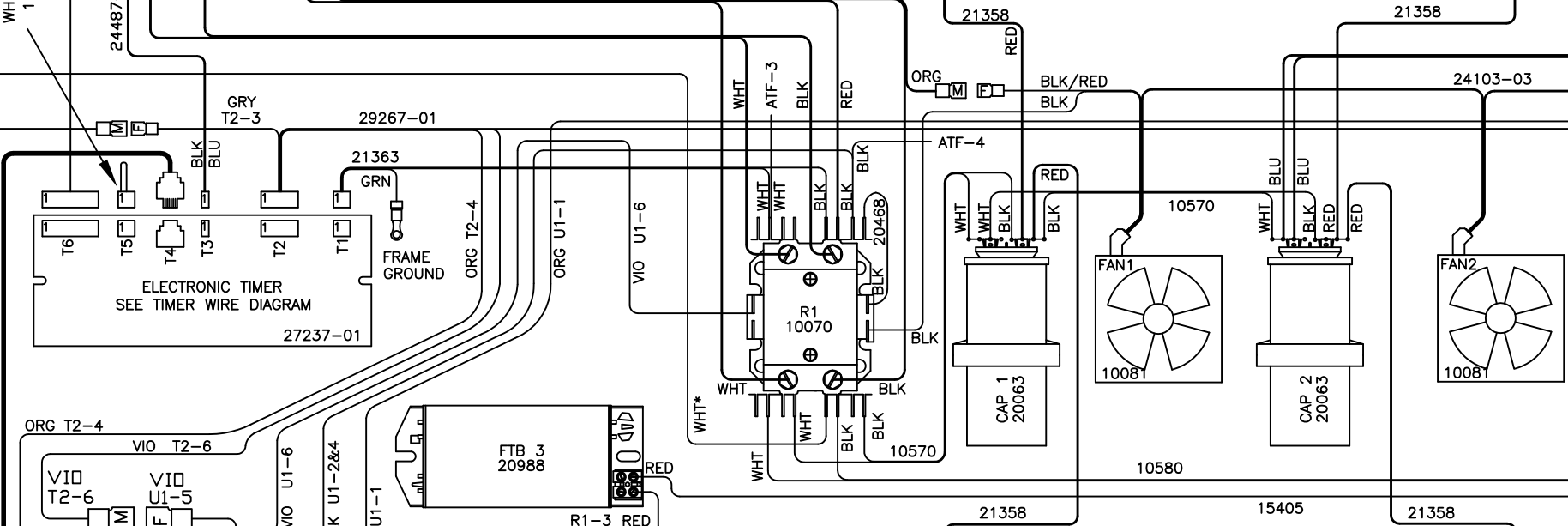
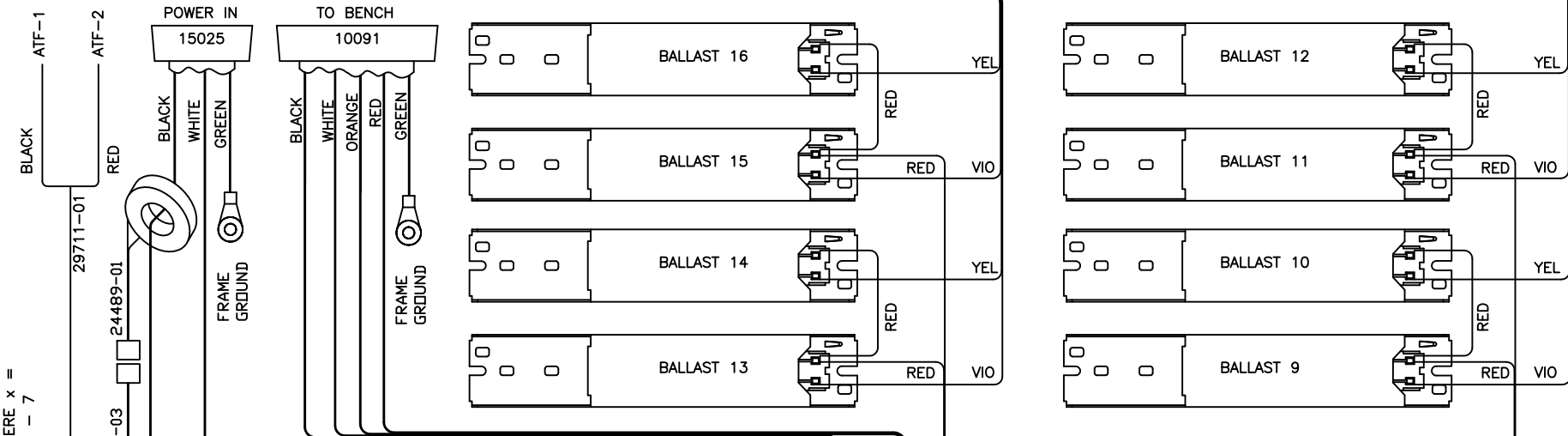


21007

21010

21359

29922-01, REV A  
16 LAMP CANOPY 3 FACE  
TANNER WIRING DIAGRAM  
32 LAMP BED ATF



BRN (12 PLCS)  
15913

FACE TANNER ASSEMBLY  
SEE FACE TANNER WIRE DIAGRAM

KEYPAD ASSEMBLY/DISPLAY  
24687-01 & 24688-01/24270-01

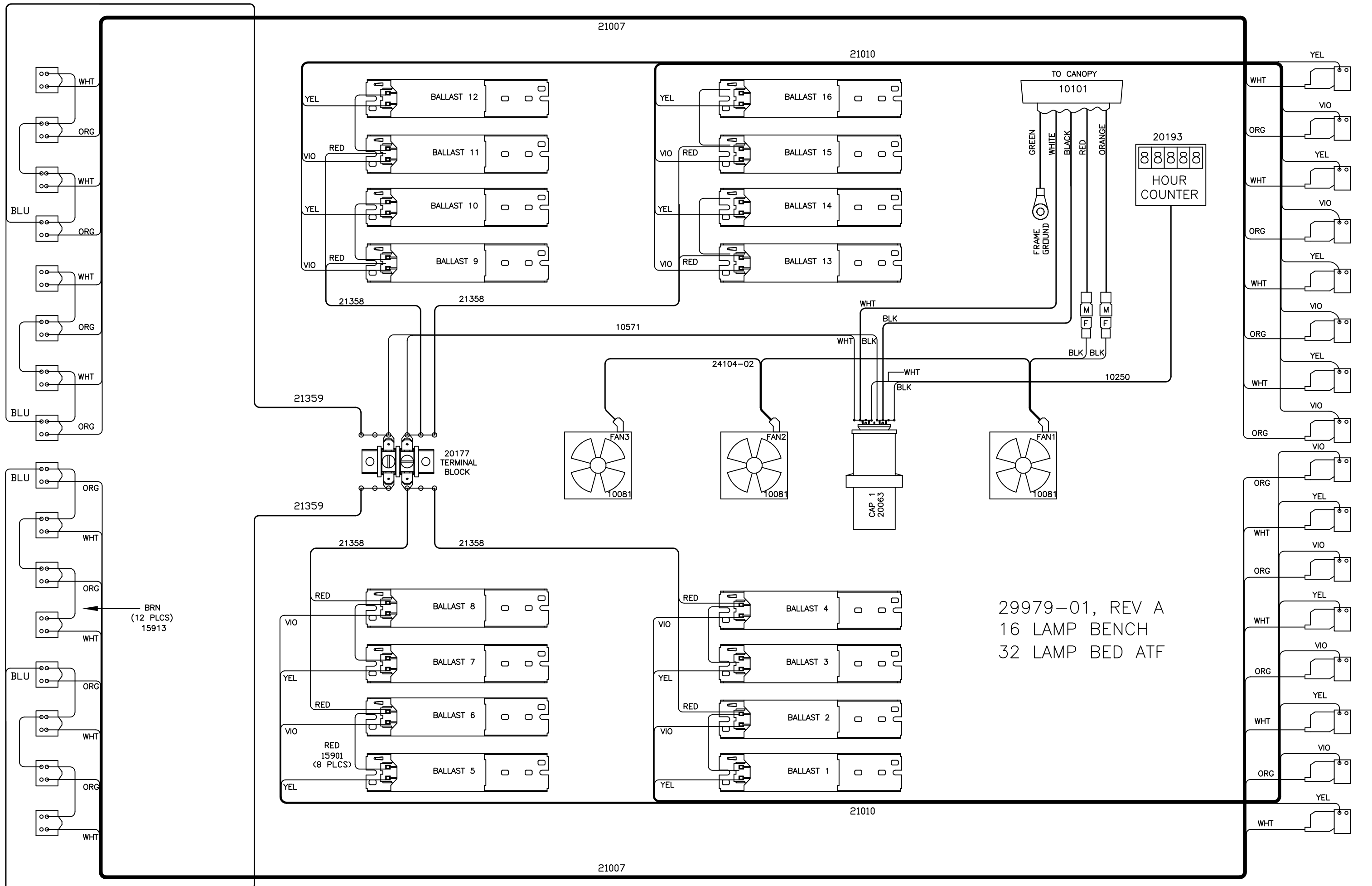
24488-0x  
WHERE x =  
1-7

29054-0x  
WHERE x =  
1-9  
BACK-UP  
TIMER

24486-01

21007

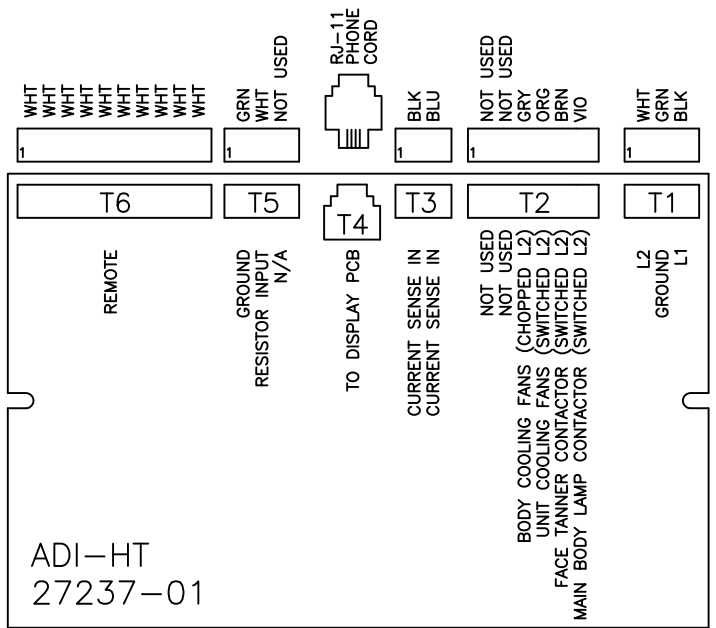
21359



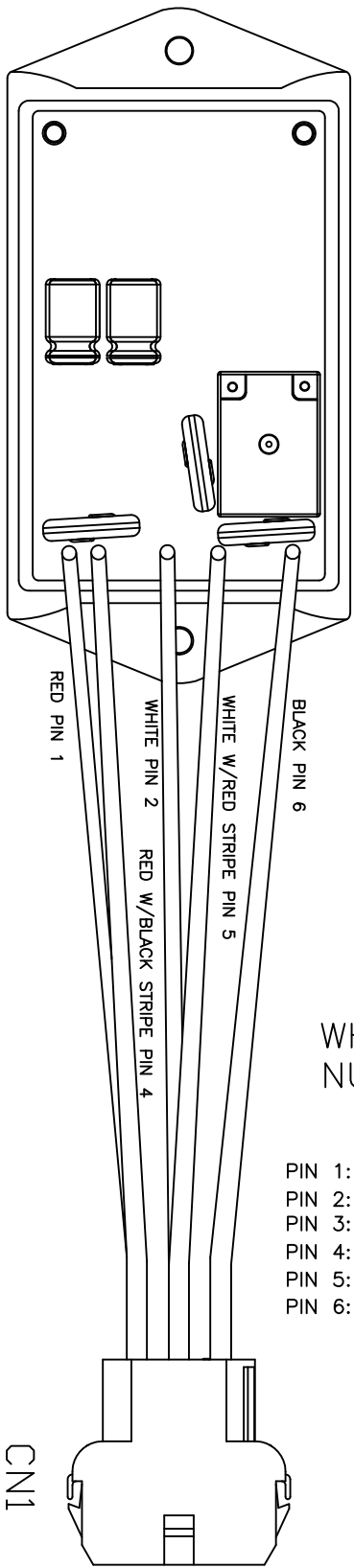
HEAD END

FOOT END

29979-01, REV A  
FACE TANNERS & MAIN TIMER & BACK-UP TIMER & CONTROLLER



ELECTRONIC MAIN TIMER  
CONNECTOR DIAGRAM



ELECTRONIC BACK-UP  
TIMER CONNECTOR DIAGRAM

ADI-BRICK

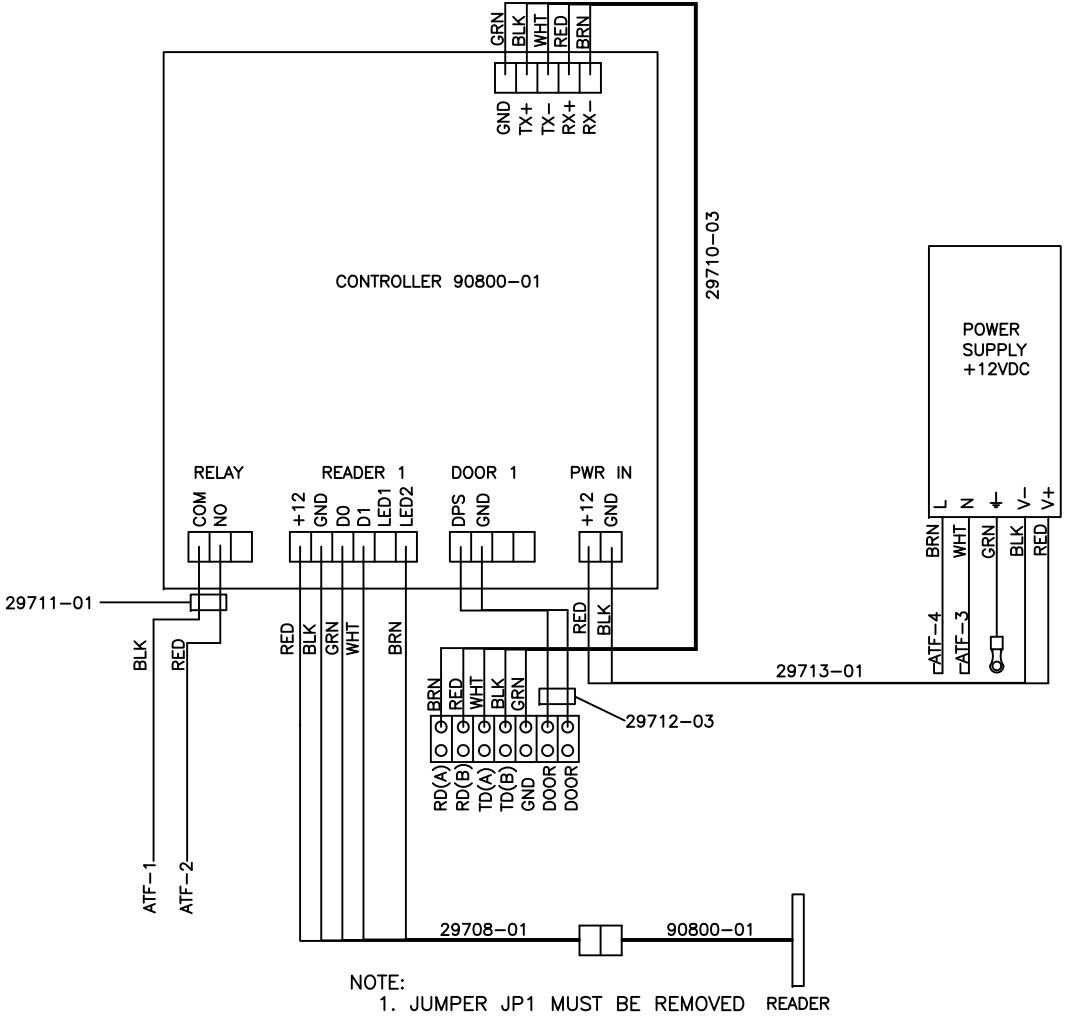
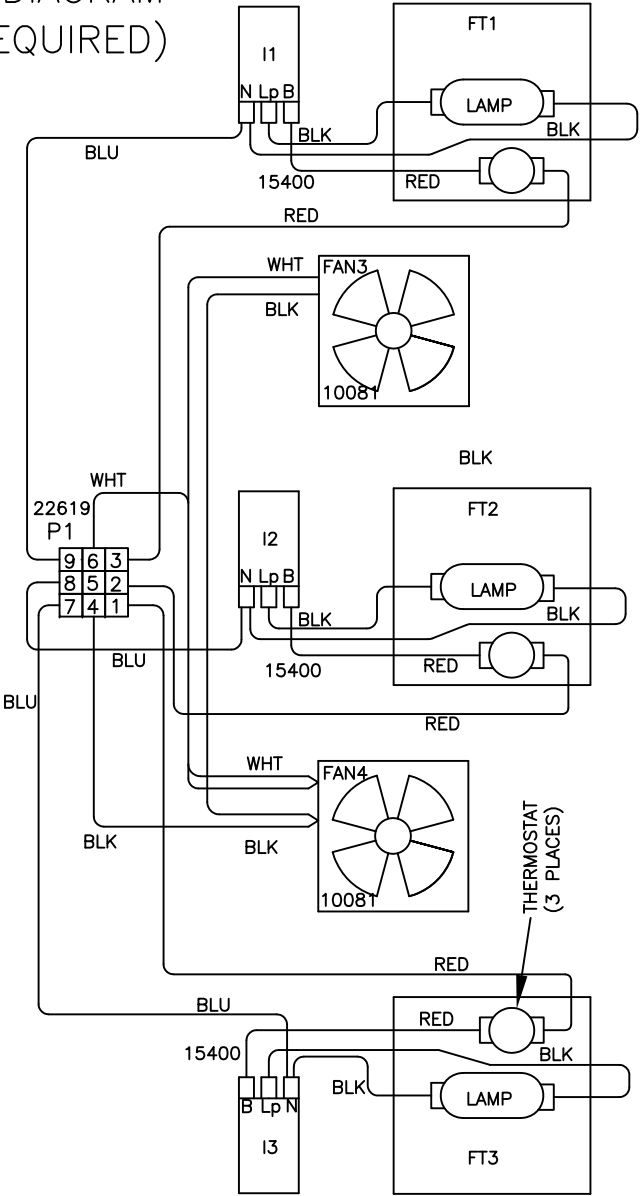
PART#	BACK-UP TIMER DURATION
-01	8 MIN
-02	9 MIN
-03	10 MIN
-04	11 MIN
-05	12 MIN
-06	14 MIN
-07	15 MIN
-08	18 MIN
-09	20 MIN

29054-0x

WHERE X CAN BE ANY  
NUMBER FROM 1-9

- PIN 1: UNIT COOLING FANS INPUT (OUTPUT FROM MAIN TIMER) (SWITCHED L2)
- PIN 2: POWER (INPUT) (L1)
- PIN 3: N/A
- PIN 4: POWER (INPUT) (L1)
- PIN 5: MAIN BODY LAMPS INPUT (OUTPUT FROM MAIN TIMER) (SWITCHED L2)
- PIN 6: MAIN BODY LAMPS OUTPUT (TO MAIN BODY LAMP CONTACTOR) (SWITCHED L2)

FACE TANNER  
WIRE DIAGRAM  
(IF REQUIRED)



NOTE:  
1. JUMPER JP1 MUST BE REMOVED READER

CONTROLLER DIAGRAM

