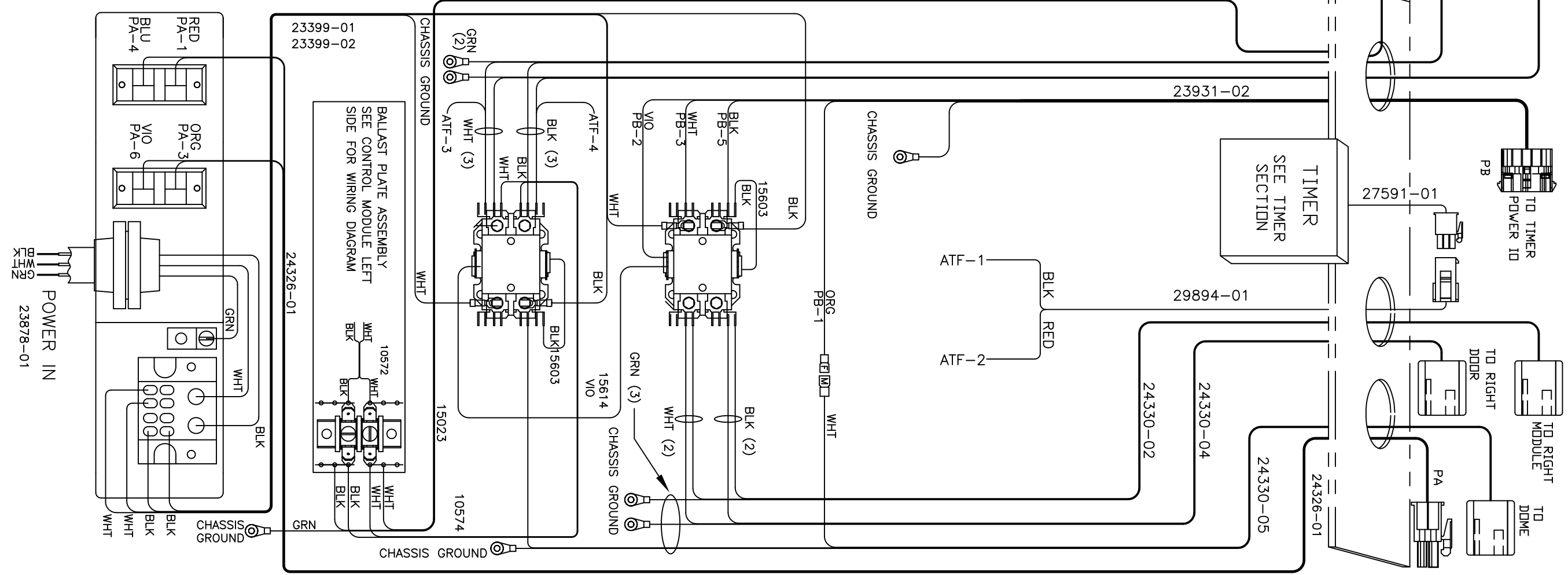
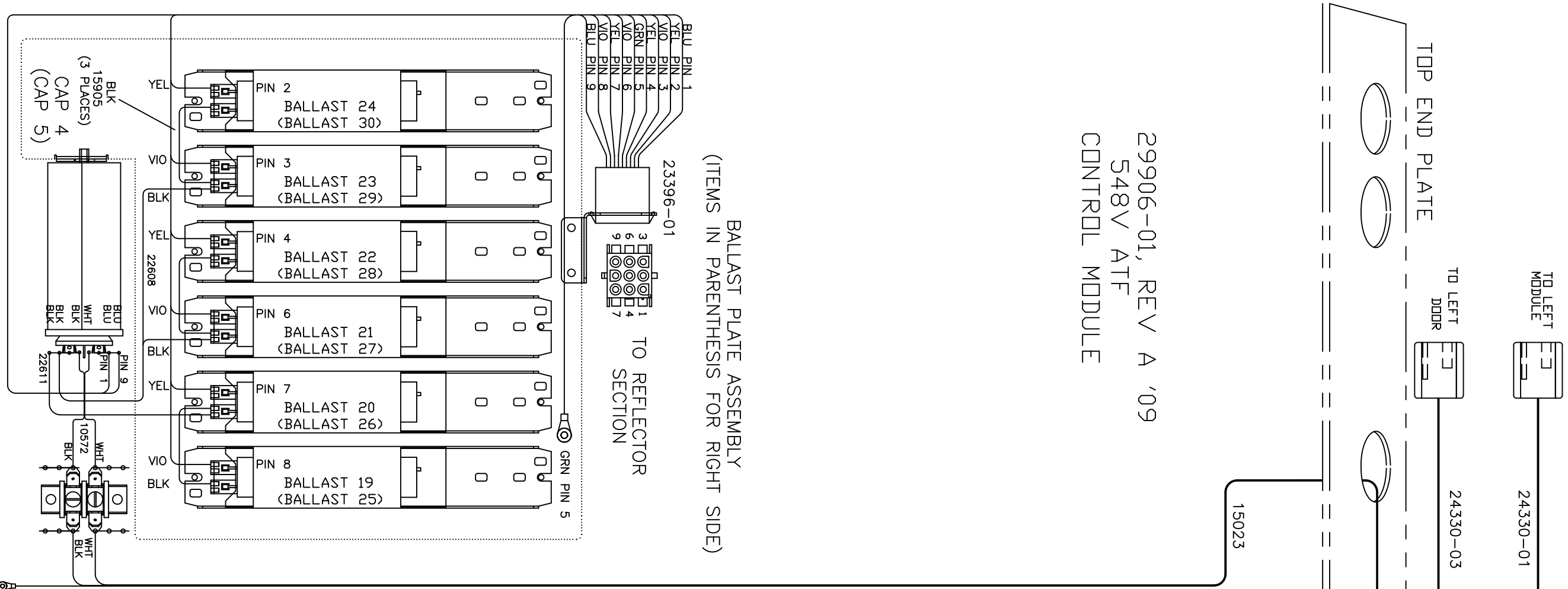
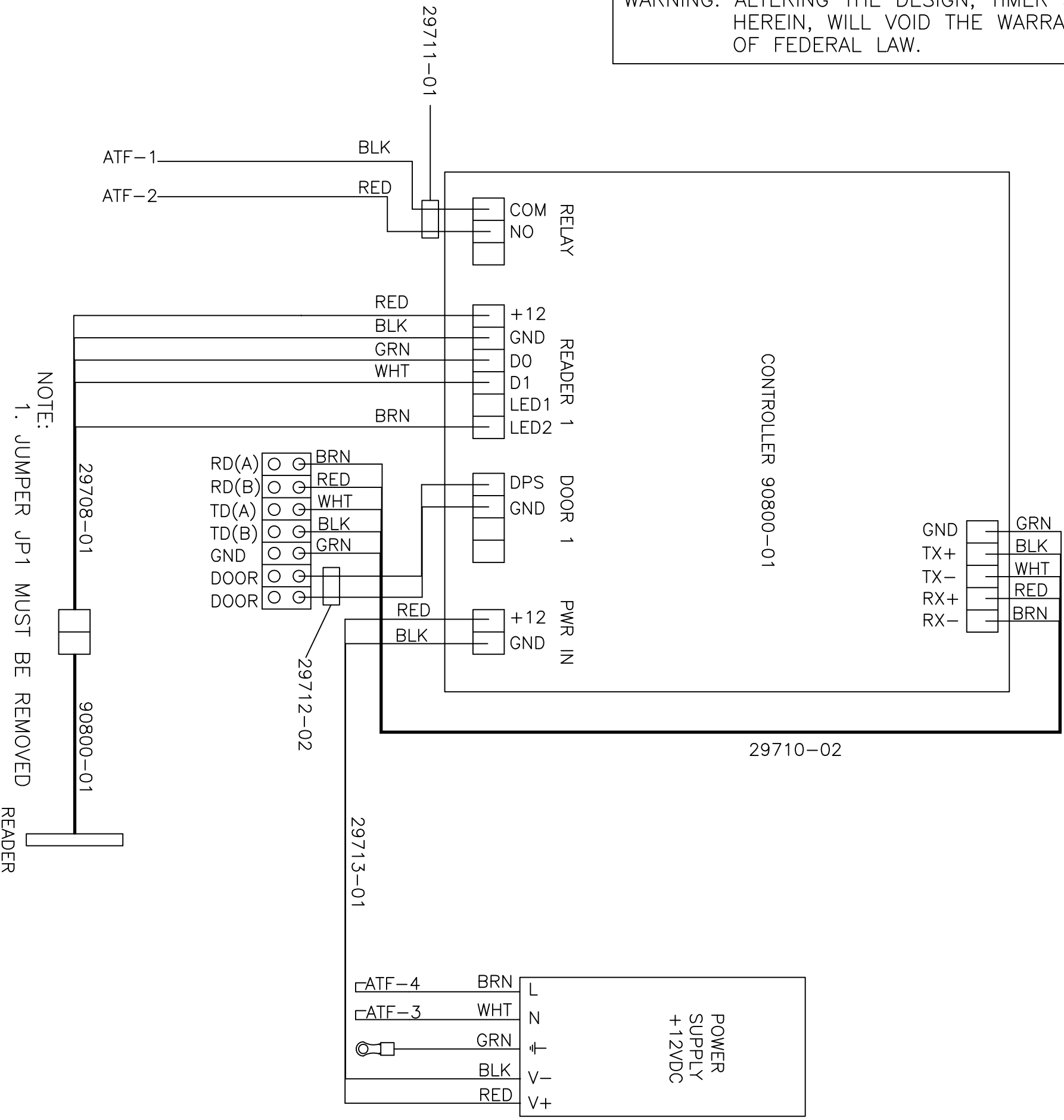
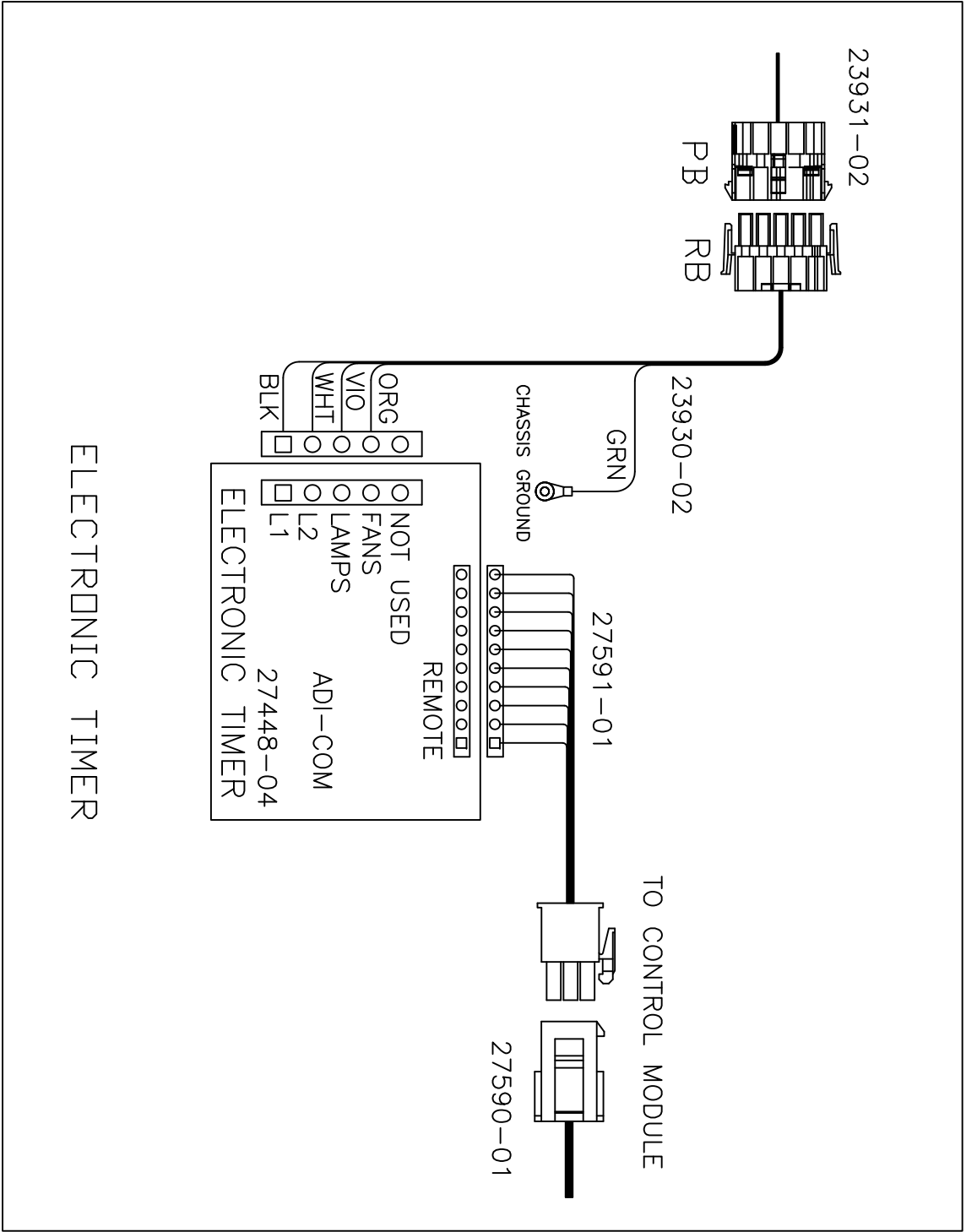


29906-01, REV A '09
548V ATF
CONTROL MODULE

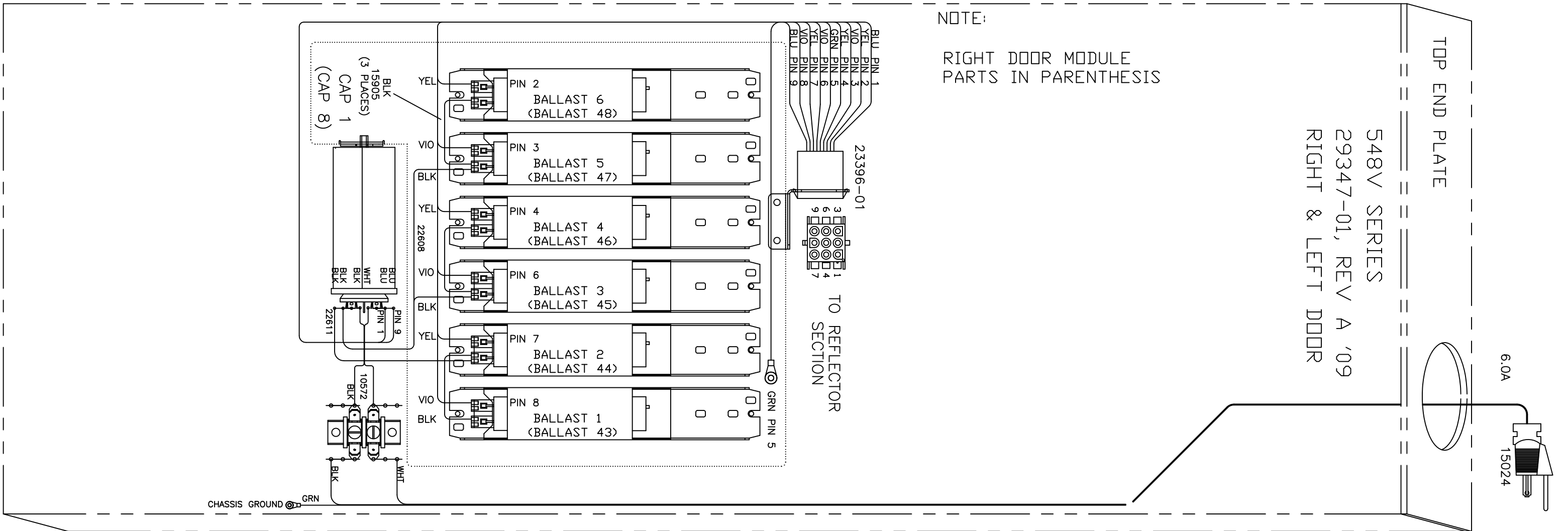


WARNING: ALTERING THE DESIGN, TIMER SYSTEM, OR WIRING FROM THAT SHOWN HEREIN, WILL VOID THE WARRANTY, AND MAY RESULT IN A VIOLATION OF FEDERAL LAW.



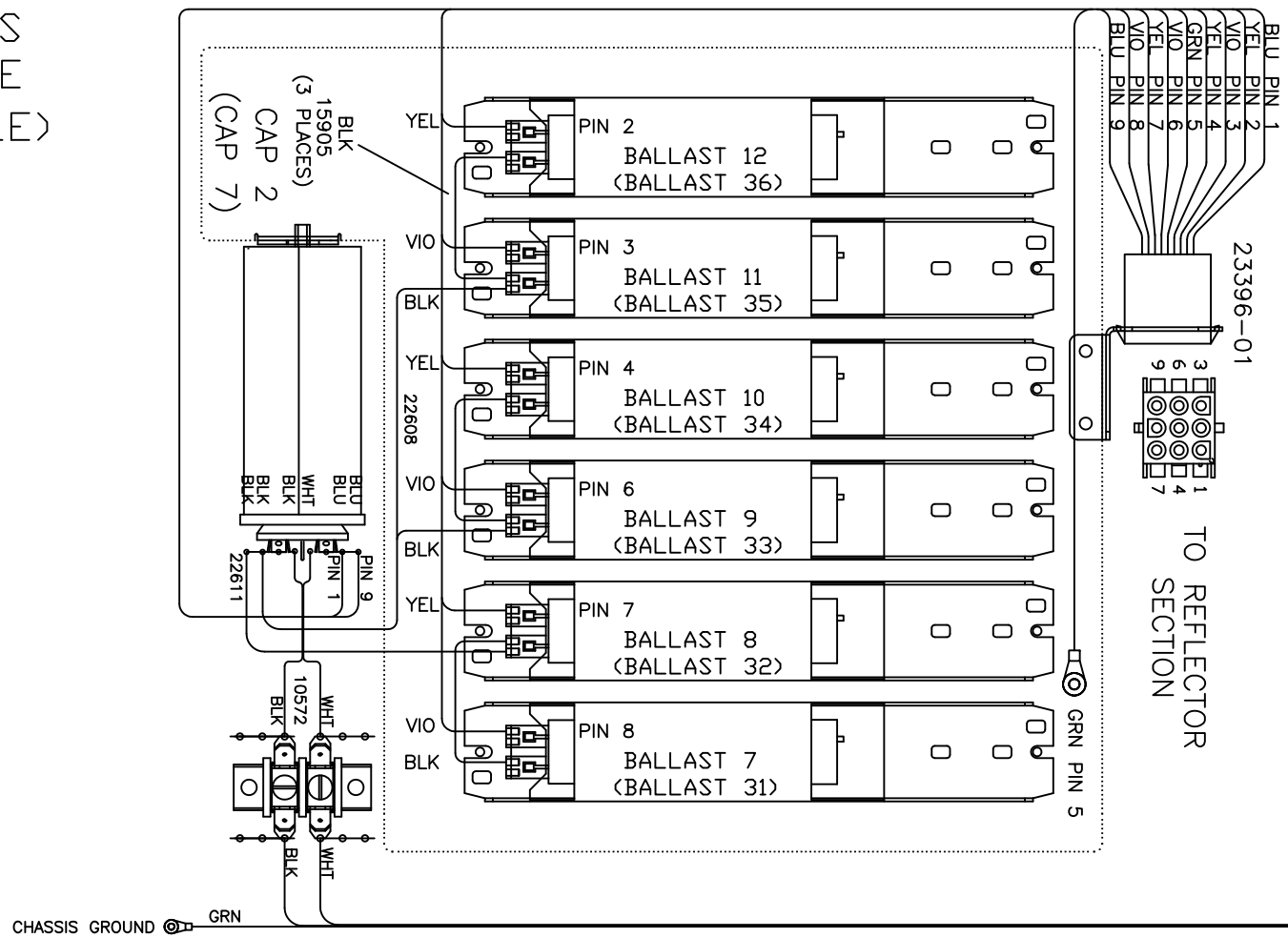
NOTE:
1. JUMPER JP1 MUST BE REMOVED

548V SERIES
 LEFT DOOR MODULE
 (RIGHT DOOR MODULE)

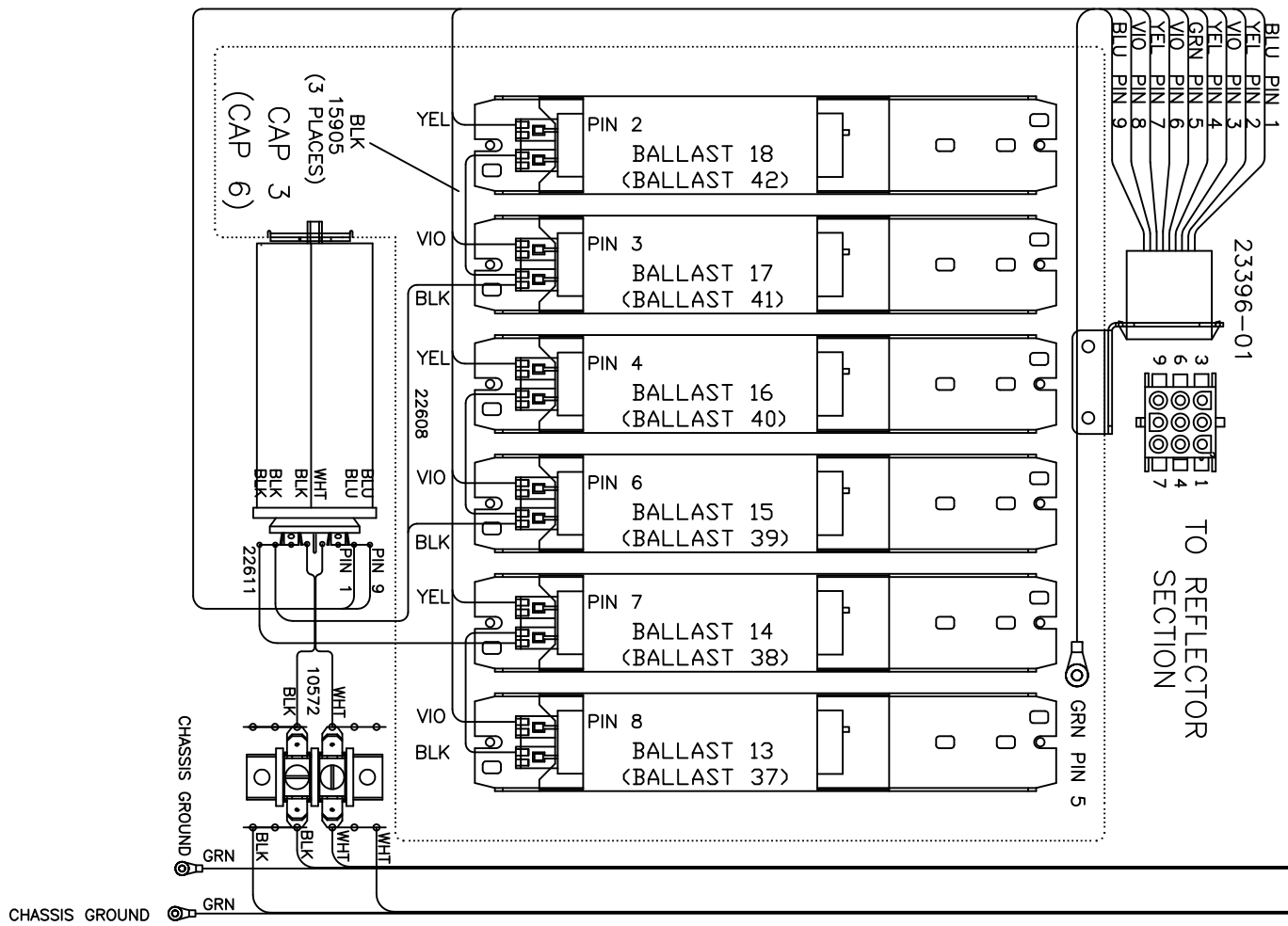


WARNING: ALTERING THE DESIGN, TIMER SYSTEM, OR WIRING FROM THAT SHOWN HEREIN, WILL VOID THE WARRANTY, AND MAY RESULT IN A VIOLATION OF FEDERAL LAW.

548V SERIES
LEFT MODULE
(RIGHT MODULE)



NOTE:
RIGHT MODULE PARTS IN PARENTHESIS



548V SERIES
29347-01, REV A '09
RIGHT & LEFT MODULE

TOP END PLATE

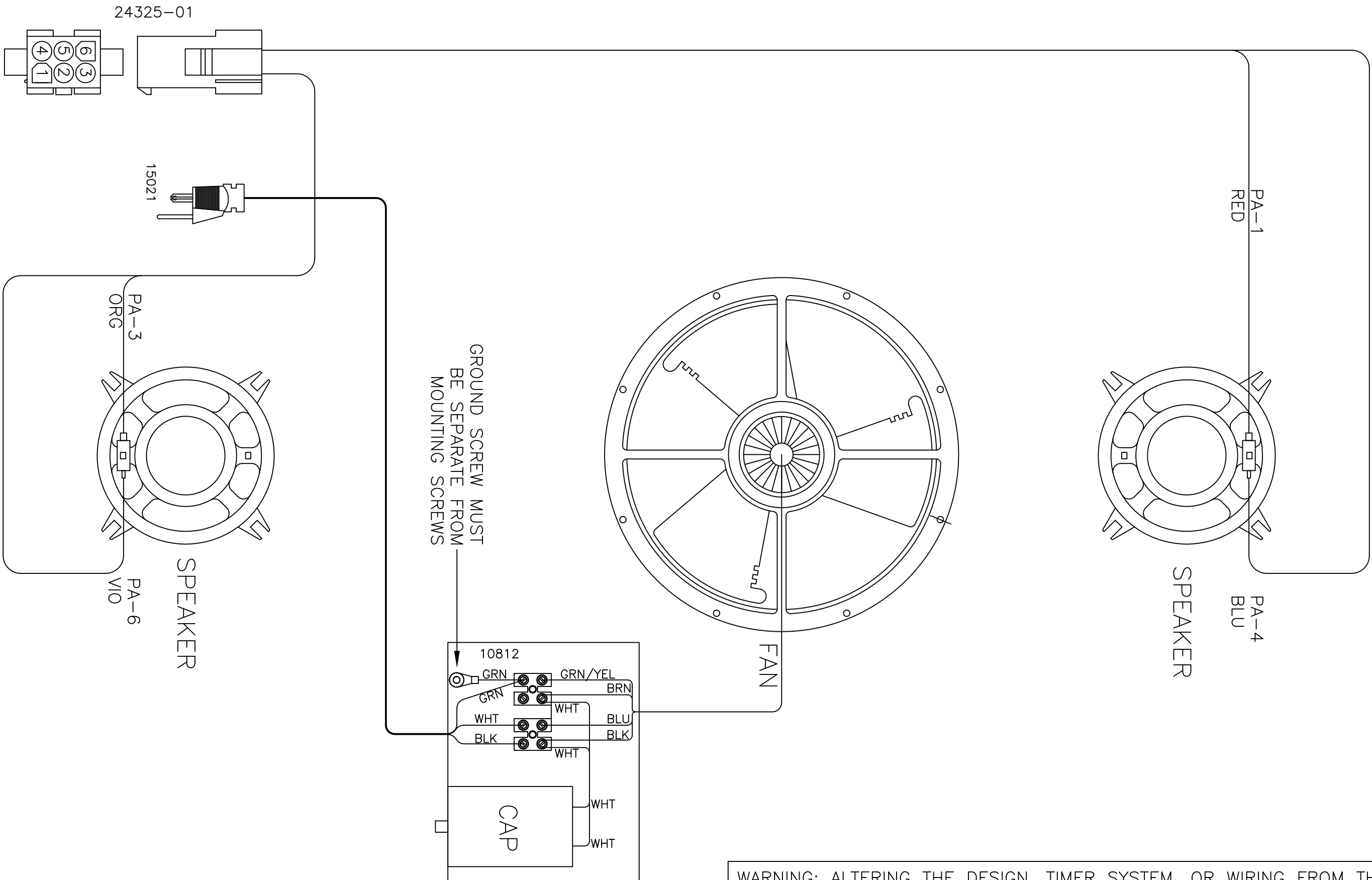
15023 6.0A

12.0A

15022

CHASSIS GROUND GRN

CHASSIS GROUND GRN



WARNING: ALTERING THE DESIGN, TIMER SYSTEM, OR WIRING FROM THAT SHOWN HEREIN, WILL VOID THE WARRANTY, AND MAY RESULT IN A VIOLATION OF FEDERAL LAW.