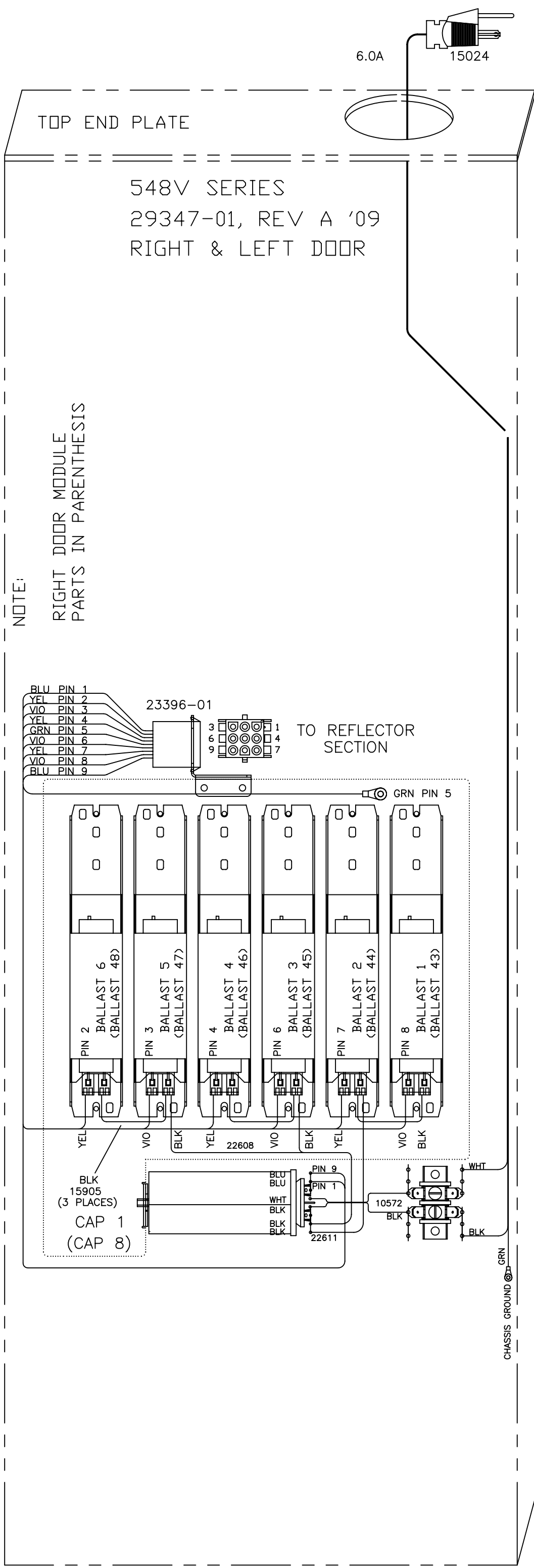


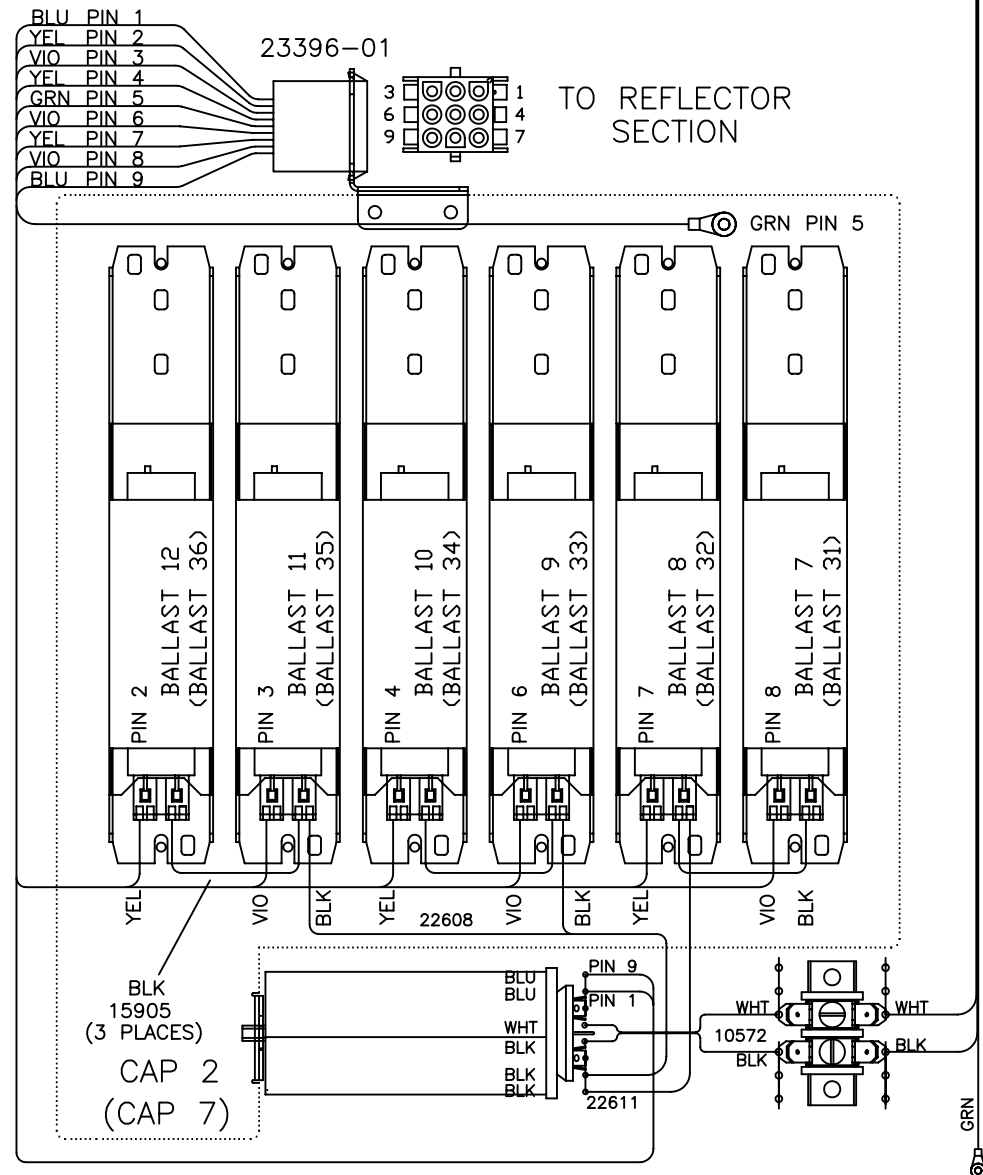
WARNING: ALTERING THE DESIGN, TIMER SYSTEM, OR WIRING FROM THAT SHOWN HEREIN, WILL VOID THE WARRANTY, AND MAY RESULT IN A VIOLATION OF FEDERAL LAW.

548V SERIES  
 LEFT DOOR MODULE  
 <RIGHT DOOR MODULE>



WARNING: ALTERING THE DESIGN, TIMER SYSTEM, OR WIRING FROM THAT SHOWN  
 HEREIN, WILL VOID THE WARRANTY, AND MAY RESULT IN A VIOLATION  
 OF FEDERAL LAW.

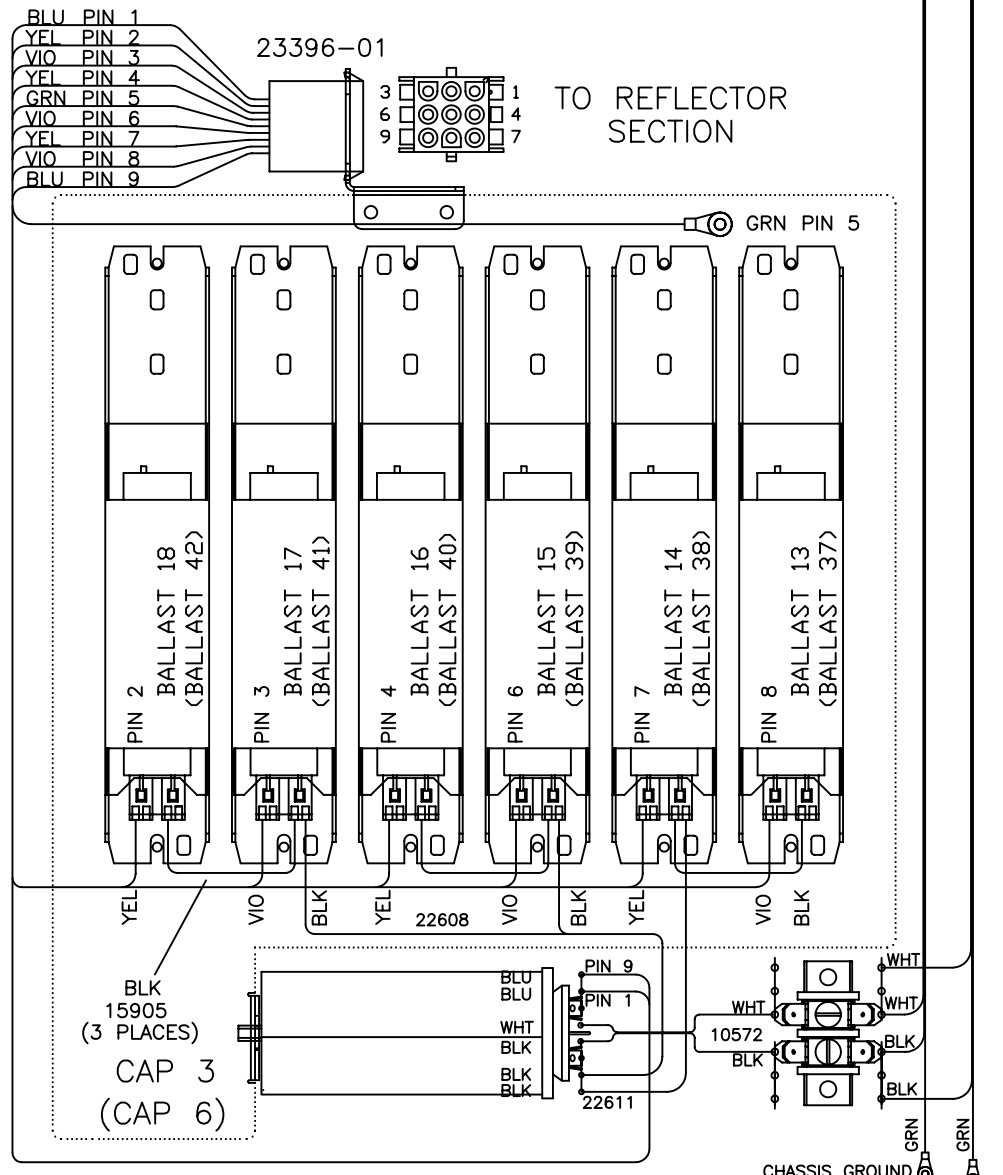
548V SERIES  
LEFT MODULE  
(RIGHT MODULE)



NOTE:  
RIGHT MODULE PARTS IN PARENTHESIS

TOP END PLATE

548V SERIES  
29347-01, REV A '09  
RIGHT & LEFT MODULE



12.0A

15022

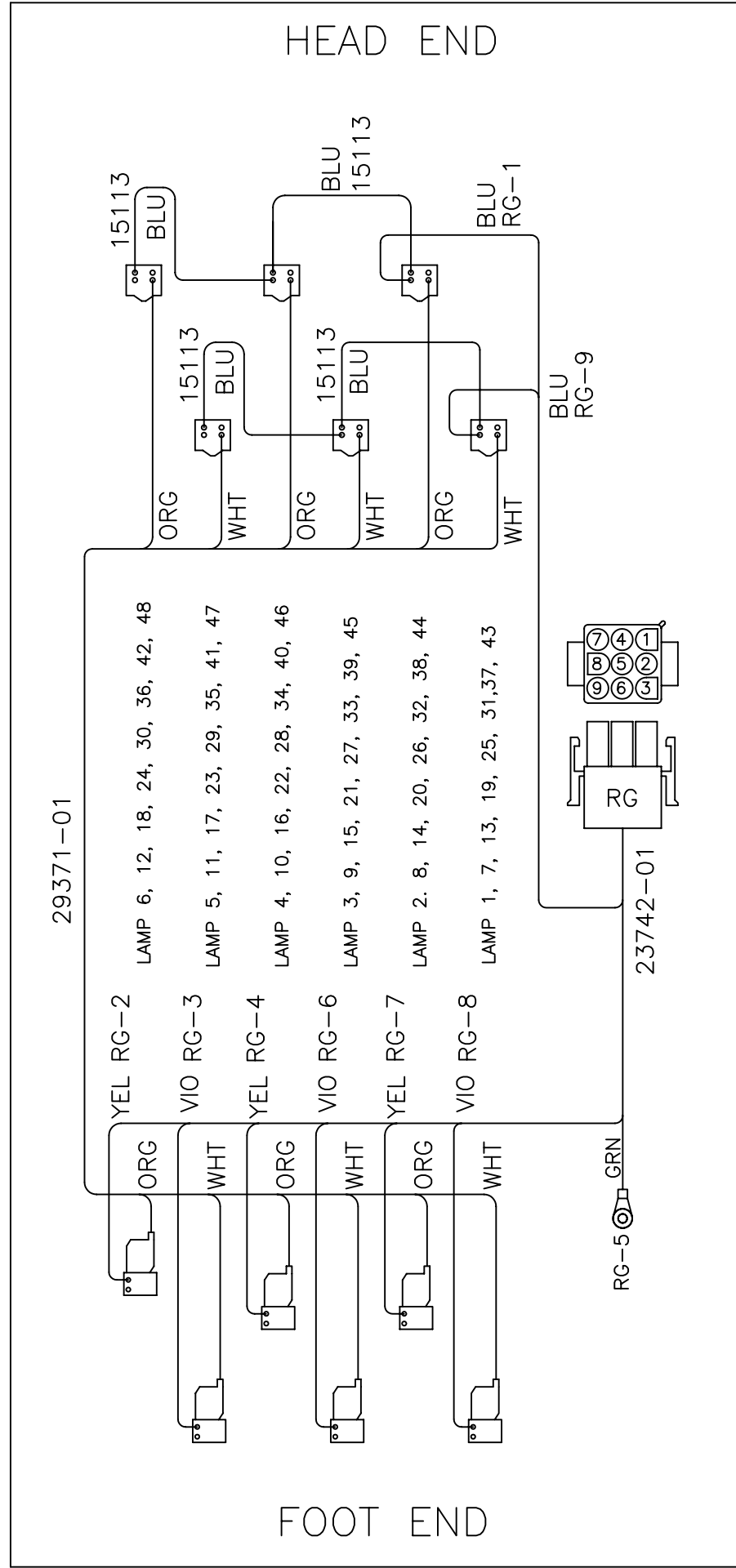
15023

6.0A

CHASSIS GROUND

CHASSIS GROUND

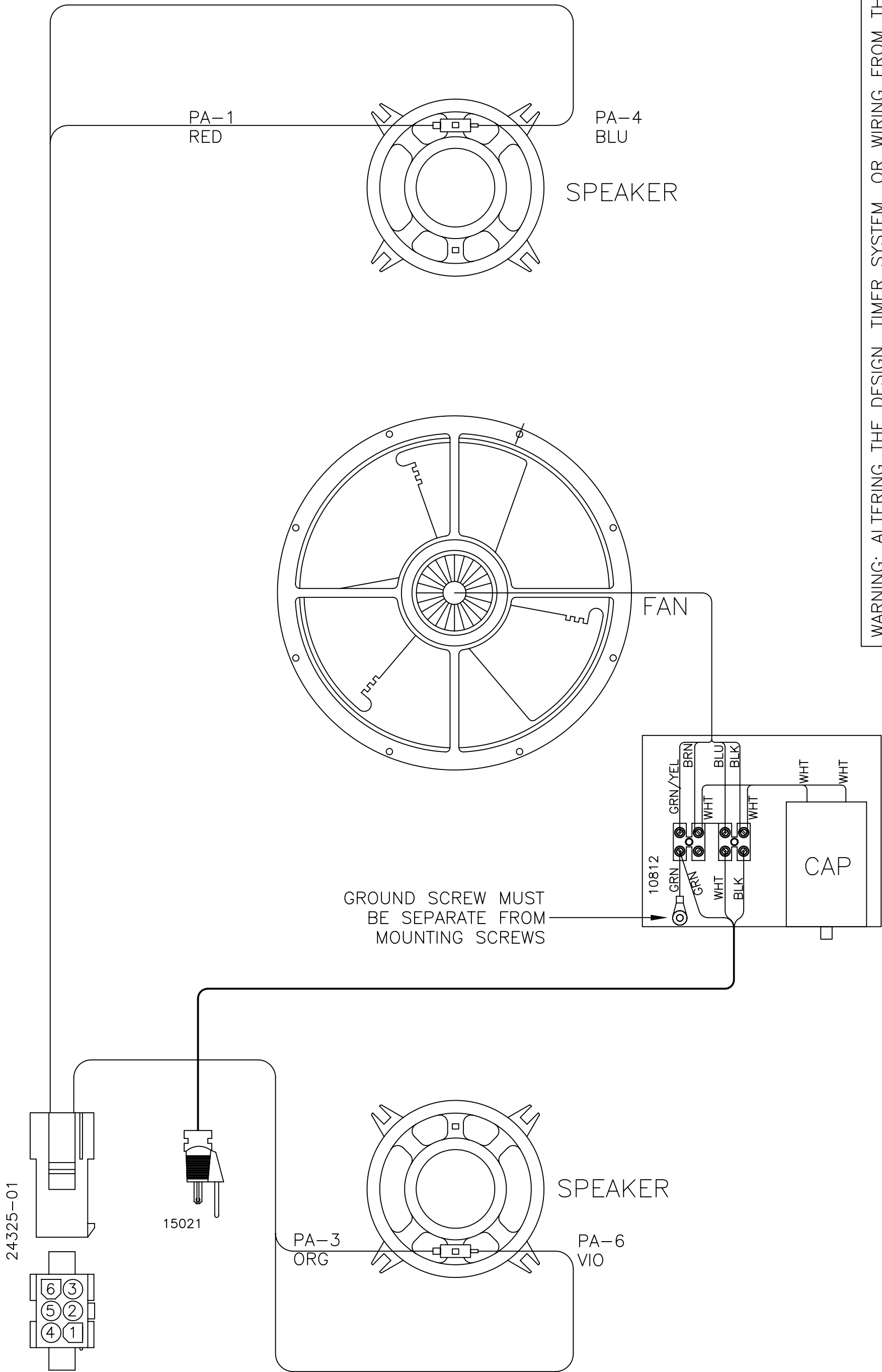
REFLECTOR SECTION (8)



NOTES:

- LAMP 1 IS THE LEFT MOST LAMP LOOKING AT THE FRONT OF THE SUNDOME UNIT. LAMP 48 IS THE RIGHT MOST LAMP.

548V SERIES  
 29348-01, REV A '09  
 DOME ASSEMBLY



WARNING: ALTERING THE DESIGN, TIMER SYSTEM, OR WIRING FROM THAT SHOWN HEREIN, WILL VOID THE WARRANTY, AND MAY RESULT IN A VIOLATION OF FEDERAL LAW.