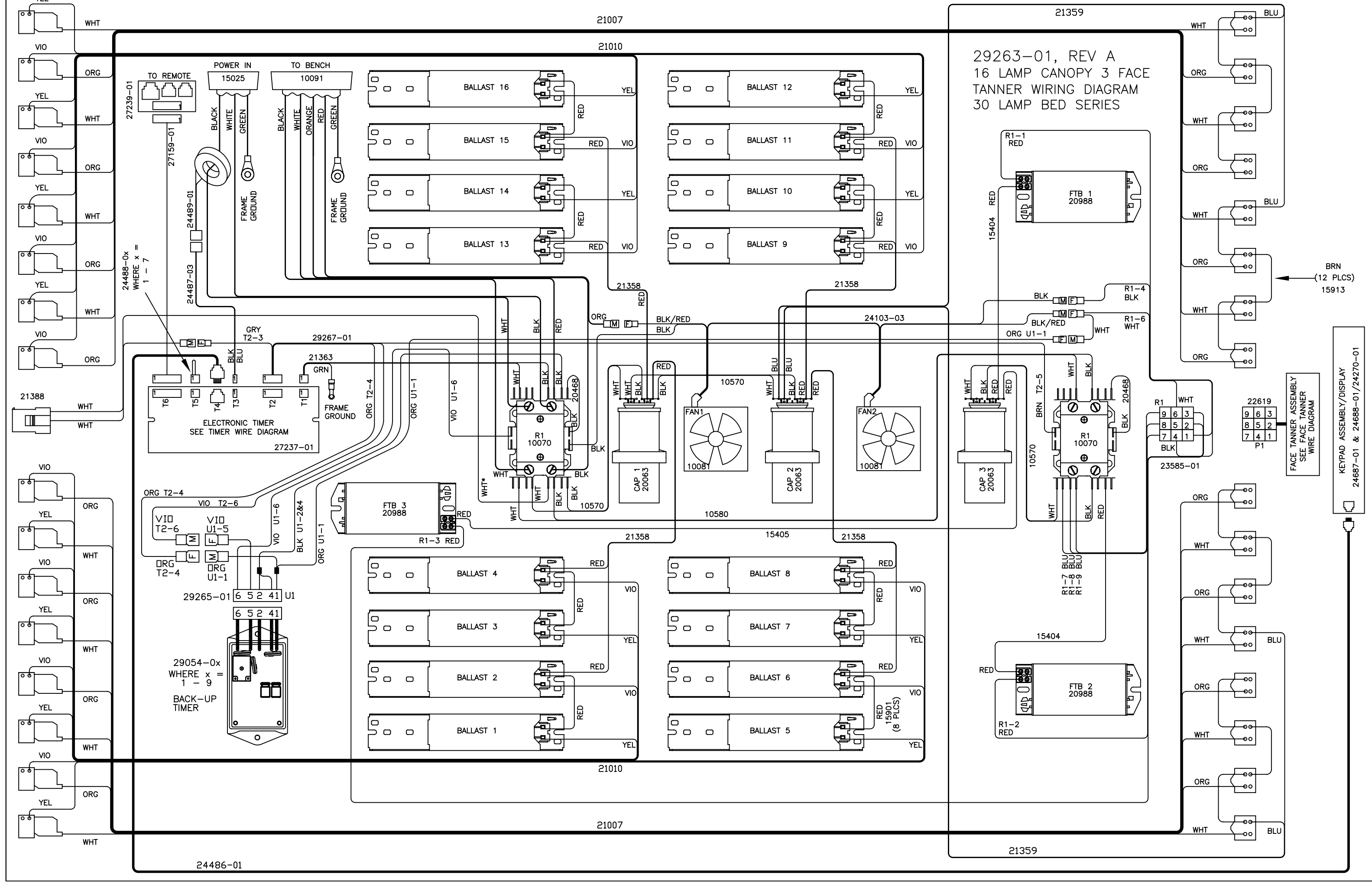


29263-01, REV A
 16 LAMP CANOPY NO FACE
 WIRING DIAGRAM
 30 LAMP SERIES



29263-01, REV A
 16 LAMP CANOPY 3 FACE
 TANNER WIRING DIAGRAM
 30 LAMP BED SERIES

24488-0x
 WHERE x =
 1 - 7

29054-0x
 WHERE x =
 1 - 9
 BACK-UP
 TIMER

FACE TANNER ASSEMBLY
 SEE FACE TANNER
 WIRE DIAGRAM

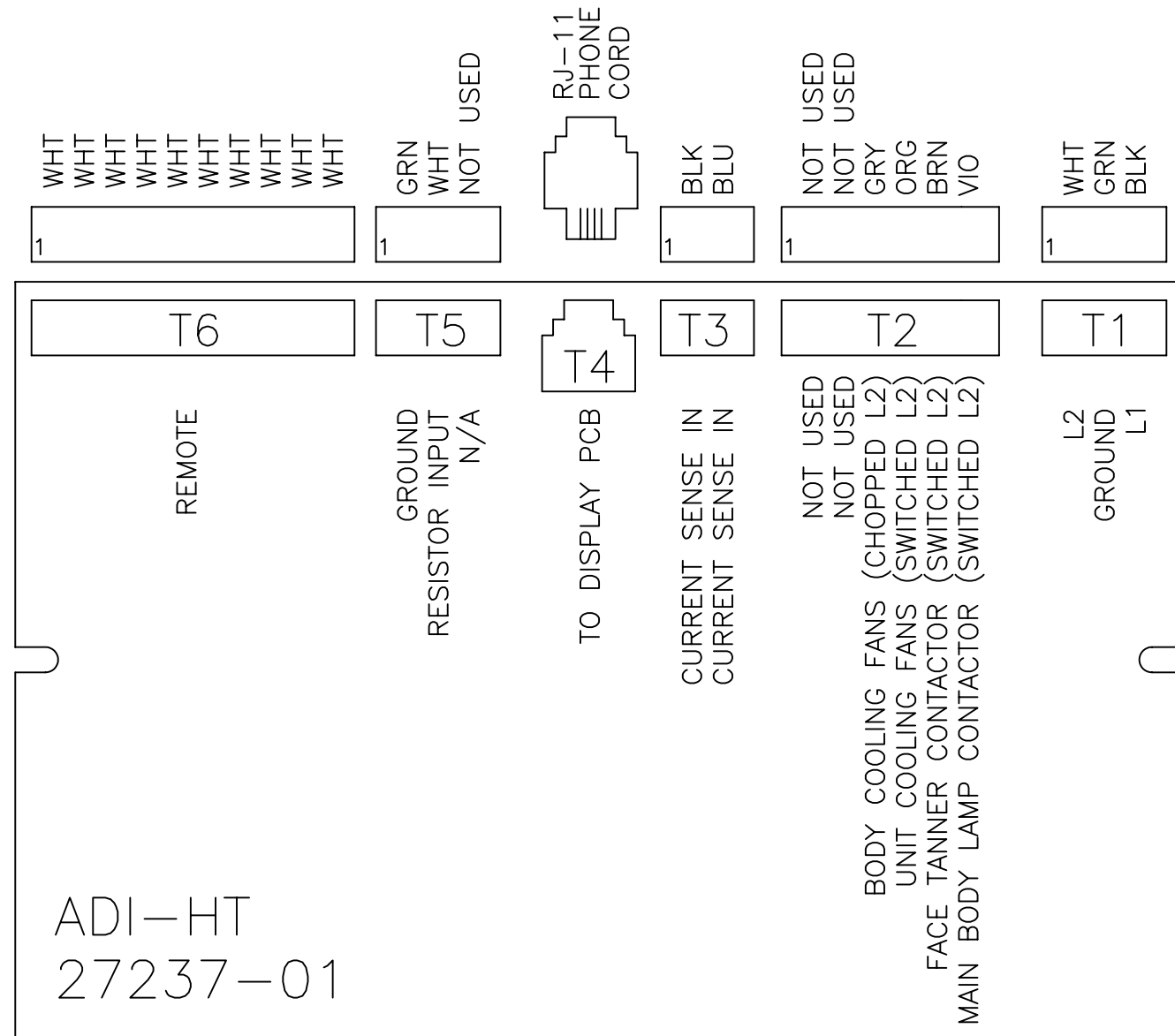
KEYPAD ASSEMBLY/DISPLAY
 24687-01 & 24688-01/24270-01

BRN
 (12 PLCS)
 15913

RED
 15901
 (8 PLCS)

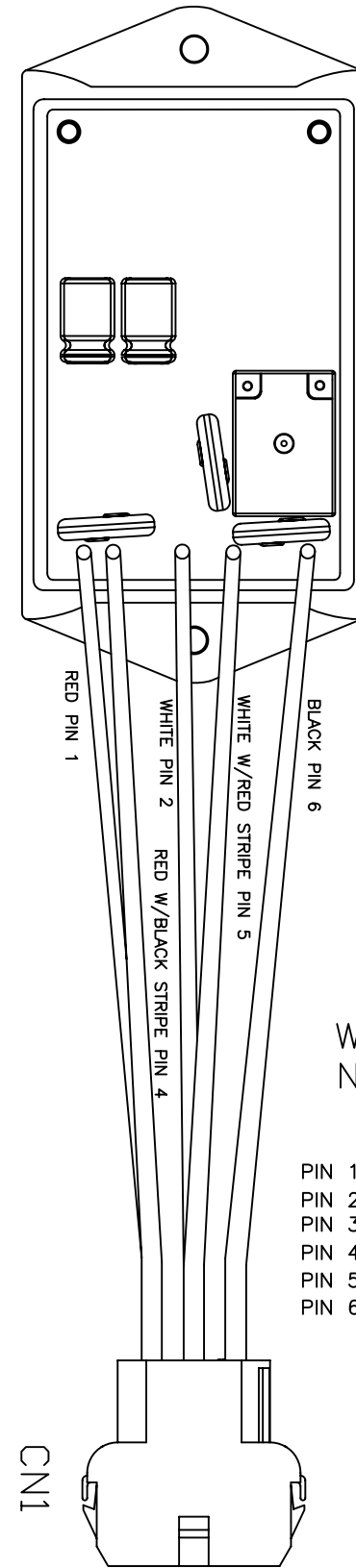
29264-01, REV A

FACE TANNERS & MAIN TIMER & BACK-UP TIMER



ELECTRONIC MAIN TIMER
CONNECTOR DIAGRAM

ELECTRONIC BACK-UP
TIMER CONNECTOR DIAGRAM



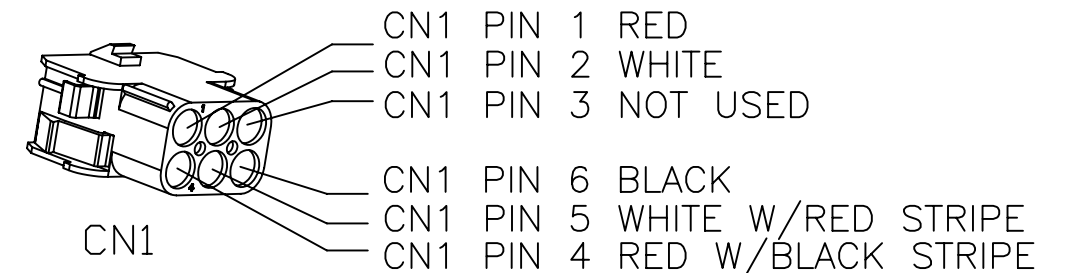
ADI-BRICK

PART#	BACK-UP TIMER DURATION
-01	8 MIN
-02	9 MIN
-03	10 MIN
-04	11 MIN
-05	12 MIN
-06	14 MIN
-07	15 MIN
-08	18 MIN
-09	20 MIN

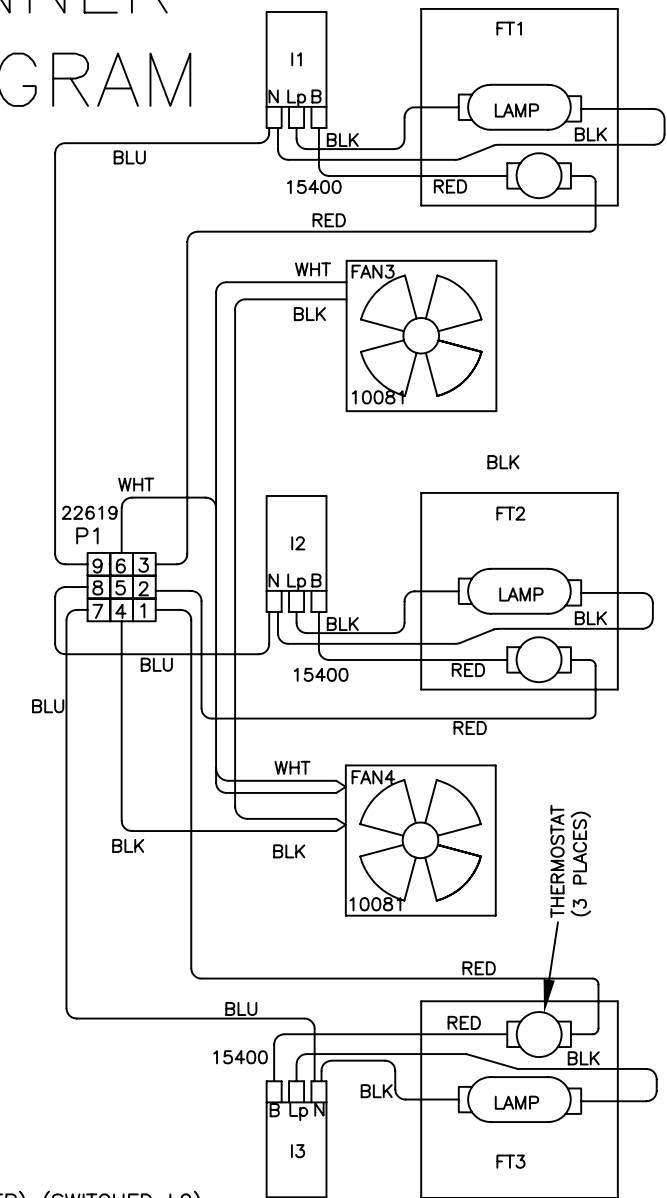
29054-0x

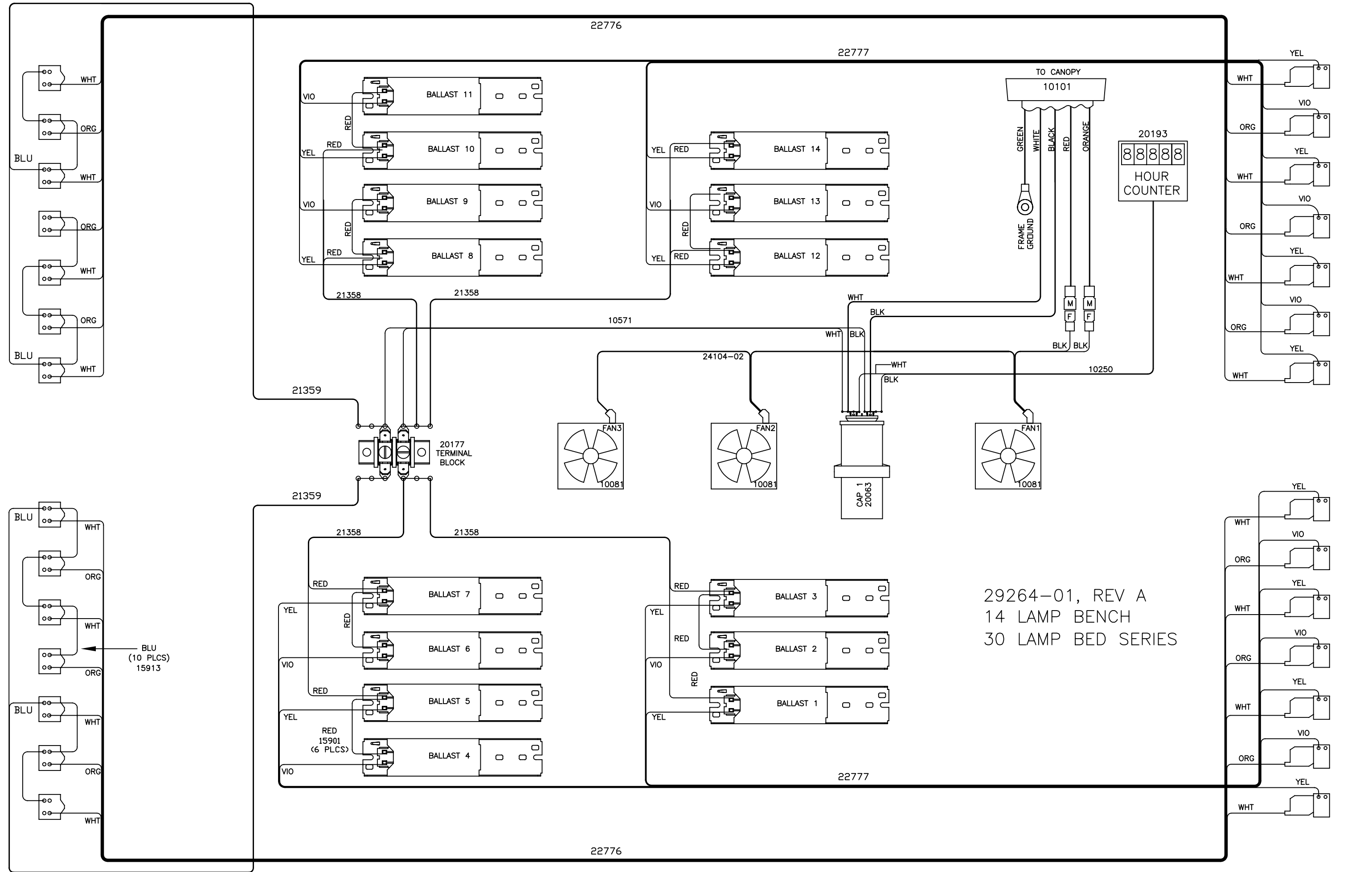
WHERE X CAN BE ANY
NUMBER FROM 1-9

- PIN 1: UNIT COOLING FANS INPUT (OUTPUT FROM MAIN TIMER) (SWITCHED L2)
- PIN 2: POWER (INPUT) (L1)
- PIN 3: N/A
- PIN 4: POWER (INPUT) (L1)
- PIN 5: MAIN BODY LAMPS INPUT (OUTPUT FROM MAIN TIMER) (SWITCHED L2)
- PIN 6: MAIN BODY LAMPS OUTPUT (TO MAIN BODY LAMP CONTACTOR) (SWITCHED L2)



FACE TANNER WIRE DIAGRAM





HEAD END

FOOT END