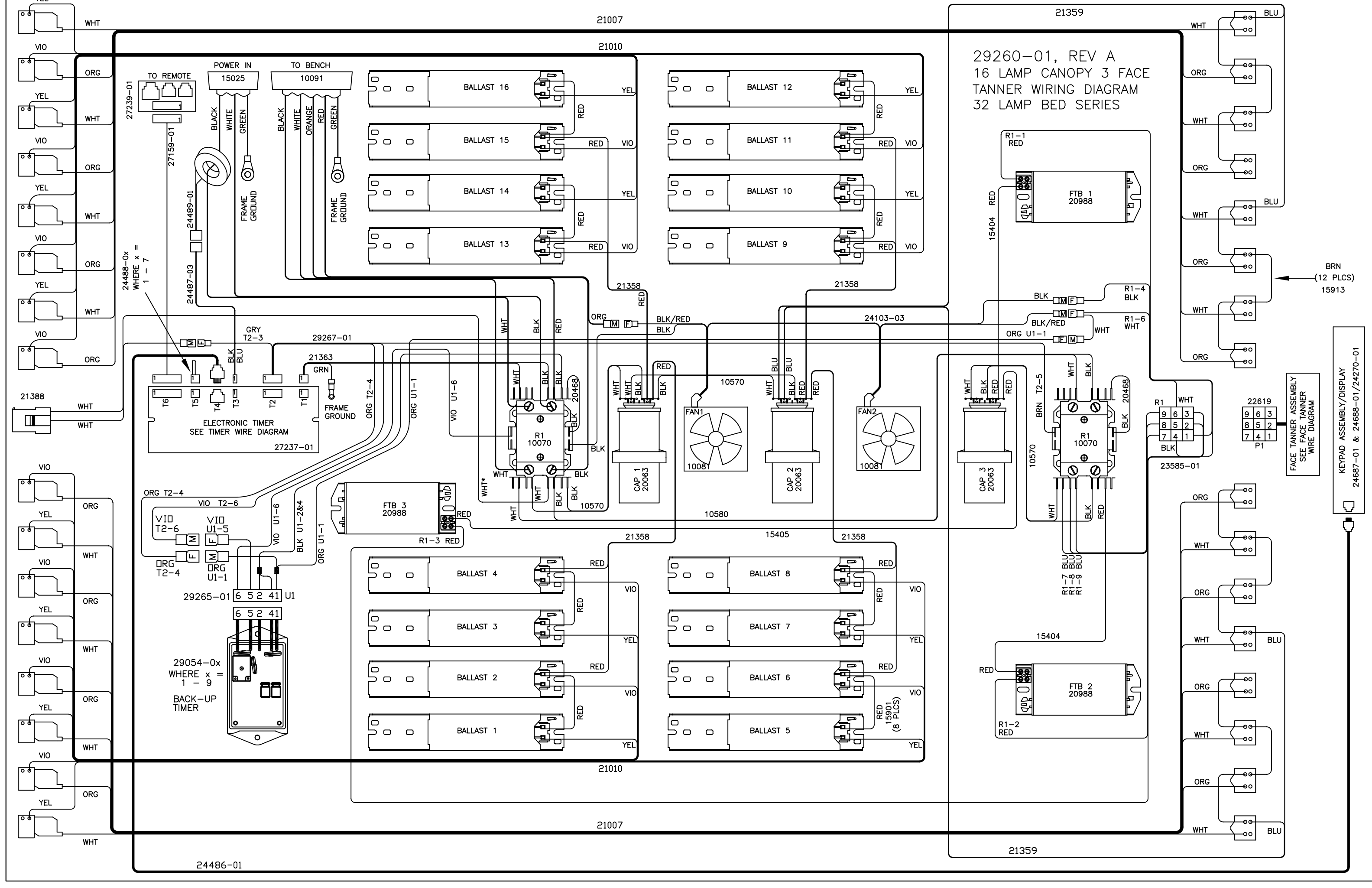


29260-01, REV A  
 16 LAMP CANOPY NO FACE  
 WIRING DIAGRAM  
 32 LAMP SERIES

24486-01

KEYPAD ASSEMBLY/DISPLAY  
 21089 & 21094-01/24270-01

BRN  
 (12 PLCS)  
 15913



29260-01, REV A  
 16 LAMP CANOPY 3 FACE  
 TANNER WIRING DIAGRAM  
 32 LAMP BED SERIES

24488-0x  
 WHERE x =  
 1 - 7

29054-0x  
 WHERE x =  
 1 - 9  
 BACK-UP  
 TIMER

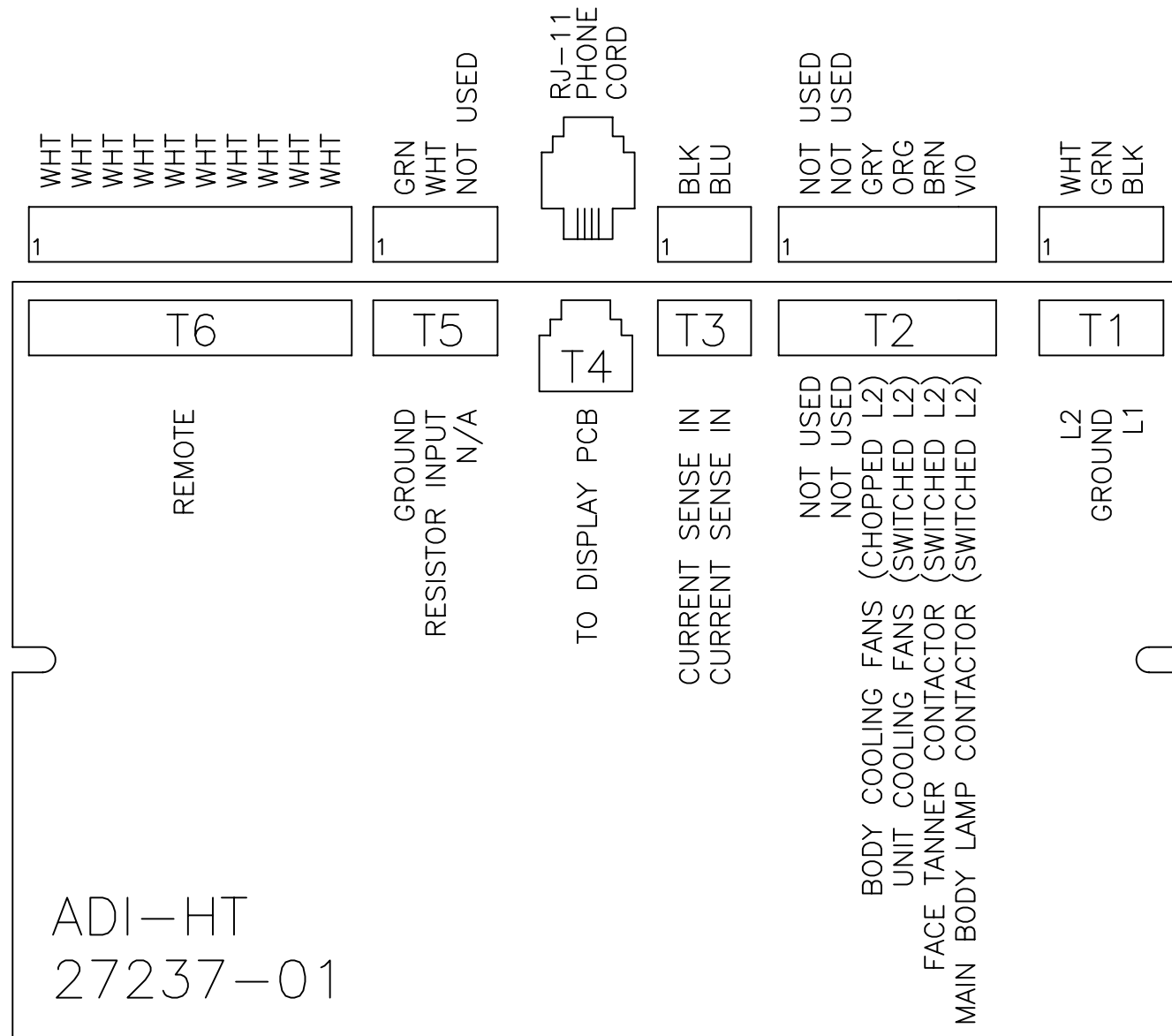
FACE TANNER ASSEMBLY  
 SEE FACE TANNER  
 WIRE DIAGRAM

KEYPAD ASSEMBLY/DISPLAY  
 24687-01 & 24688-01/24270-01

BRN  
 (12 PLCS)  
 15913

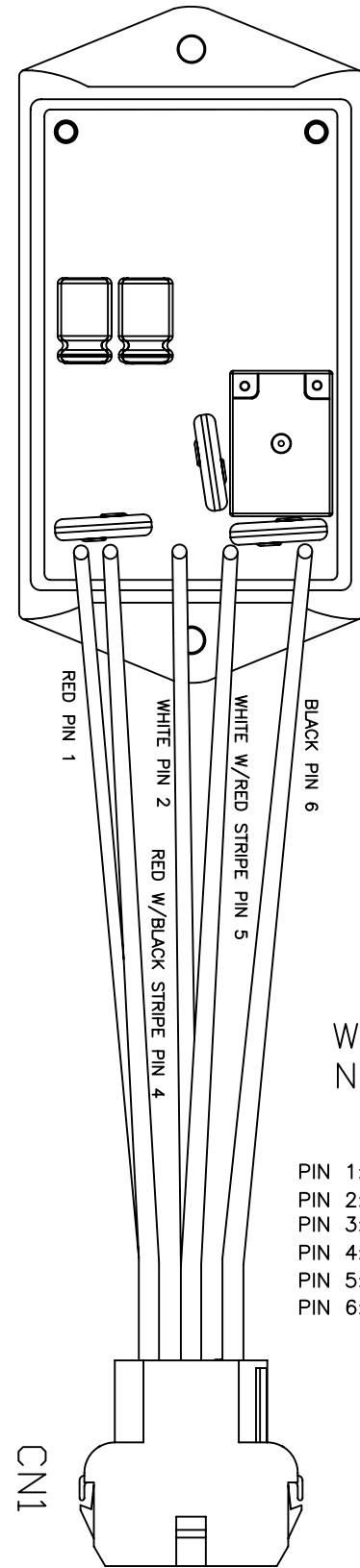
RED  
 15901  
 (8 PLCS)

# 29261-01, REV A FACE TANNERS & MAIN TIMER & BACK-UP TIMER



ELECTRONIC MAIN TIMER  
CONNECTOR DIAGRAM

ELECTRONIC BACK-UP  
TIMER CONNECTOR DIAGRAM



ADI-BRICK

PART#	BACK-UP TIMER DURATION
-01	8 MIN
-02	9 MIN
-03	10 MIN
-04	11 MIN
-05	12 MIN
-06	14 MIN
-07	15 MIN
-08	18 MIN
-09	20 MIN

29054-0x  
WHERE X CAN BE ANY  
NUMBER FROM 1-9

- PIN 1: UNIT COOLING FANS INPUT (OUTPUT FROM MAIN TIMER) (SWITCHED L2)
- PIN 2: POWER (INPUT) (L1)
- PIN 3: N/A
- PIN 4: POWER (INPUT) (L1)
- PIN 5: MAIN BODY LAMPS INPUT (OUTPUT FROM MAIN TIMER) (SWITCHED L2)
- PIN 6: MAIN BODY LAMPS OUTPUT (TO MAIN BODY LAMP CONTACTOR) (SWITCHED L2)



## FACE TANNER WIRE DIAGRAM

