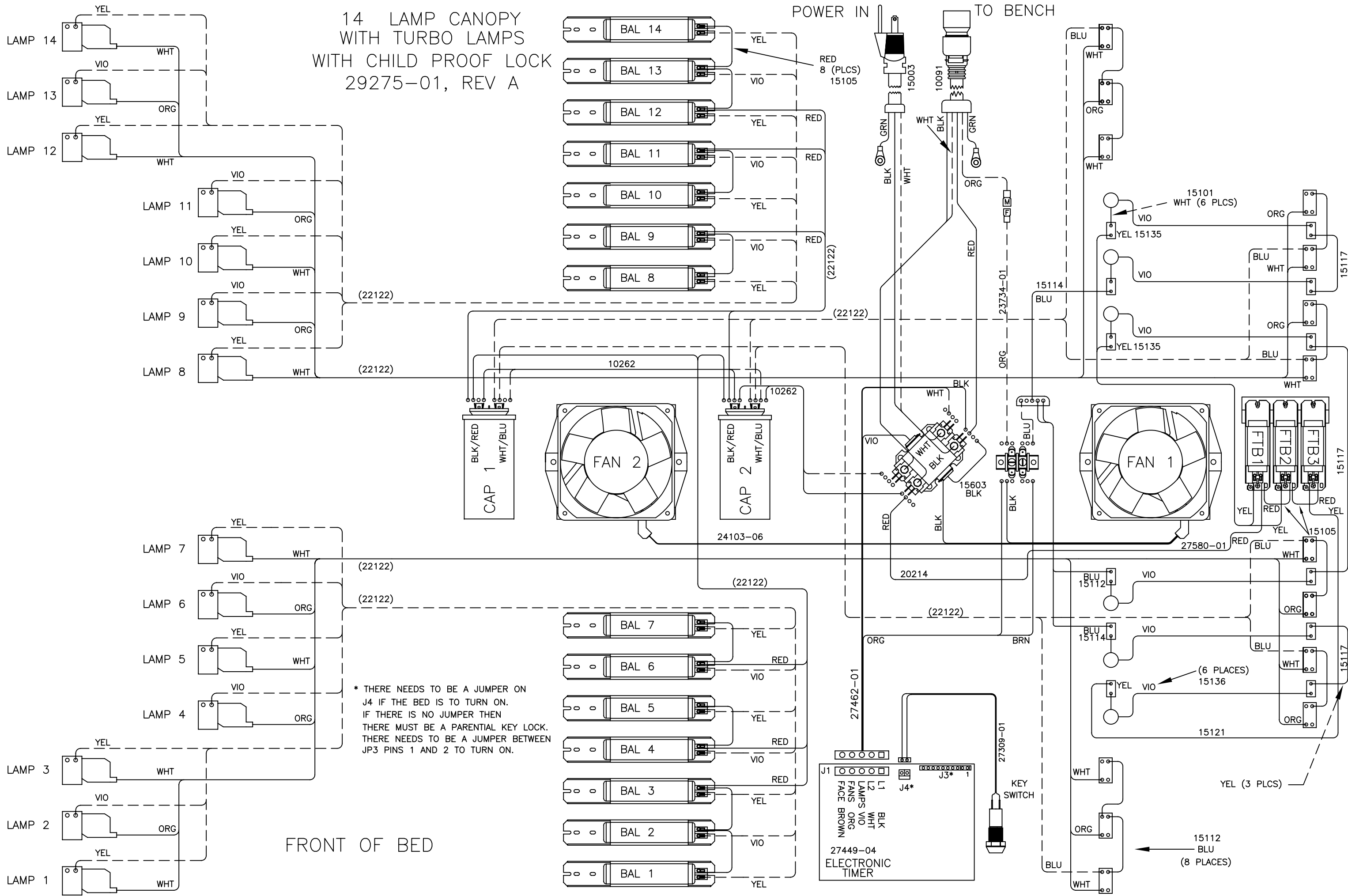


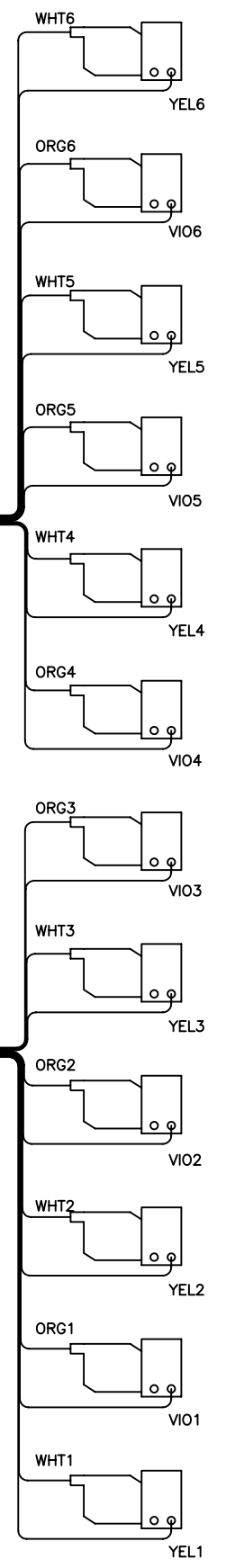
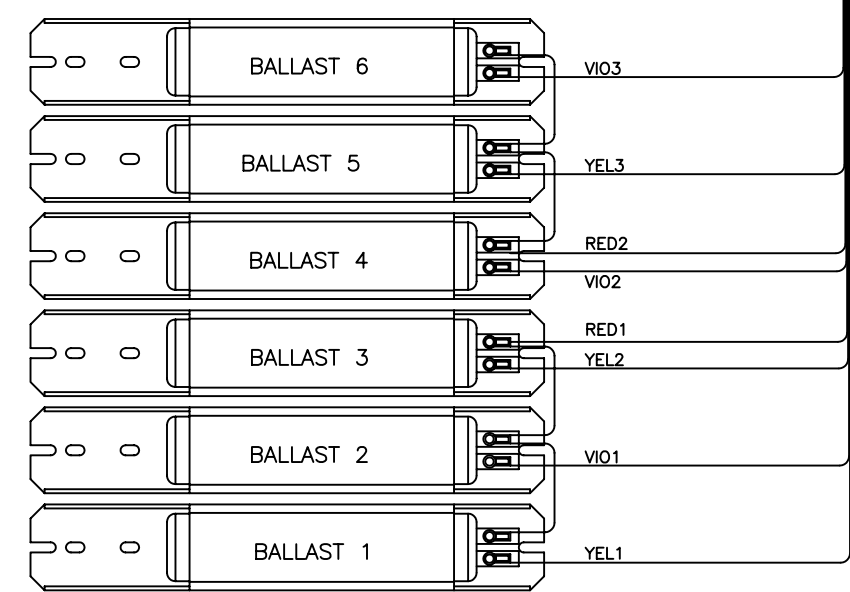
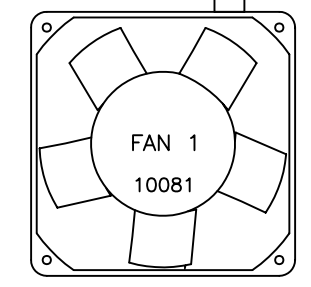
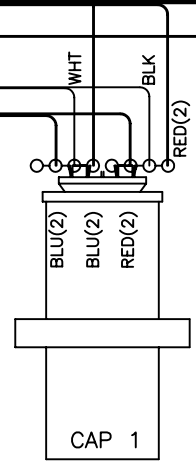
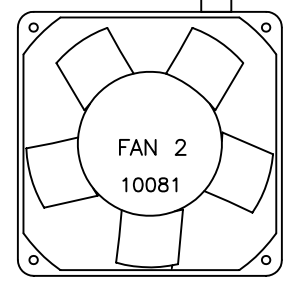
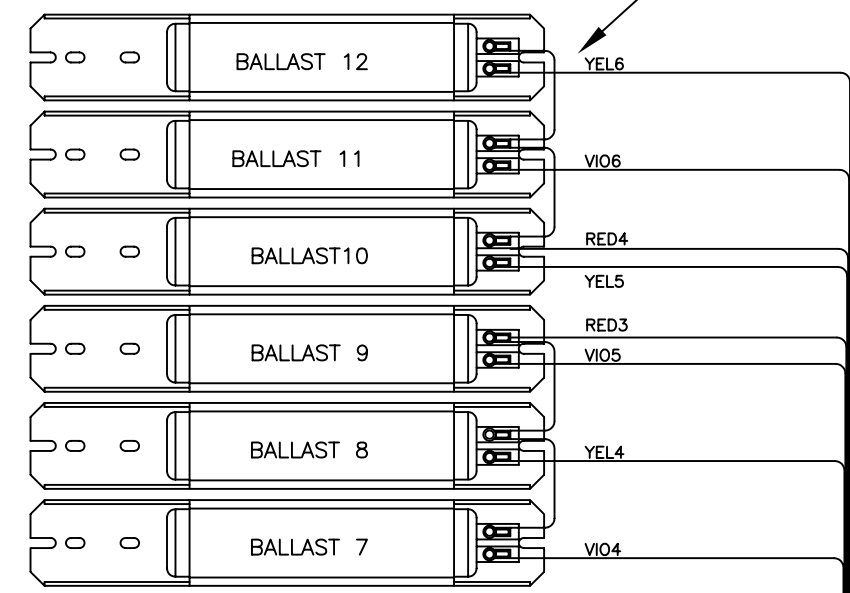
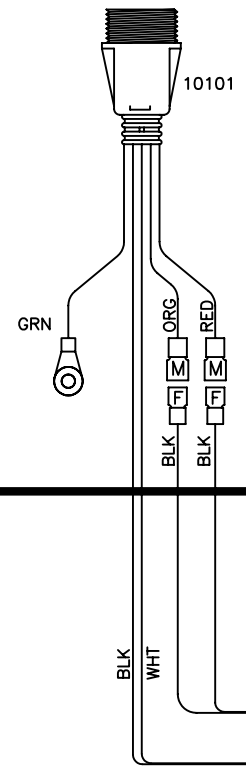
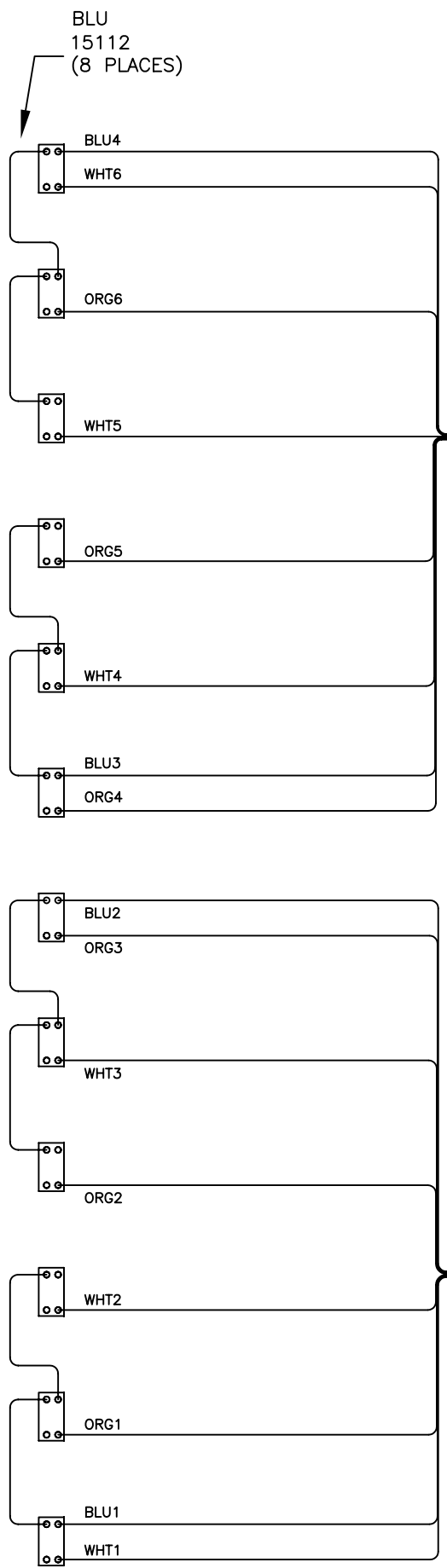
14 LAMP CANOPY
WITH TURBO LAMPS
WITH CHILD PROOF LOCK
29275-01, REV A



* THERE NEEDS TO BE A JUMPER ON J4 IF THE BED IS TO TURN ON. IF THERE IS NO JUMPER THEN THERE MUST BE A PARENTIAL KEY LOCK. THERE NEEDS TO BE A JUMPER BETWEEN JP3 PINS 1 AND 2 TO TURN ON.

FRONT OF BED

POWER IN TO BENCH



WIRE COLORS AND PART NUMBERS
ON ACTUAL ASSEMBLIES
COULD VARY FROM THOSE
SHOWN ON WIRE DIAGRAMS

12 LAMP BENCH EV3 '06
27523-01, REV B
BOTTOM FRONT OF BED