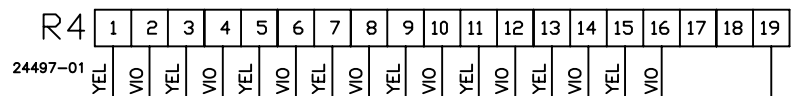
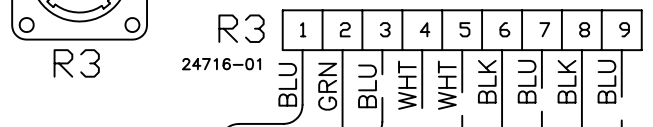


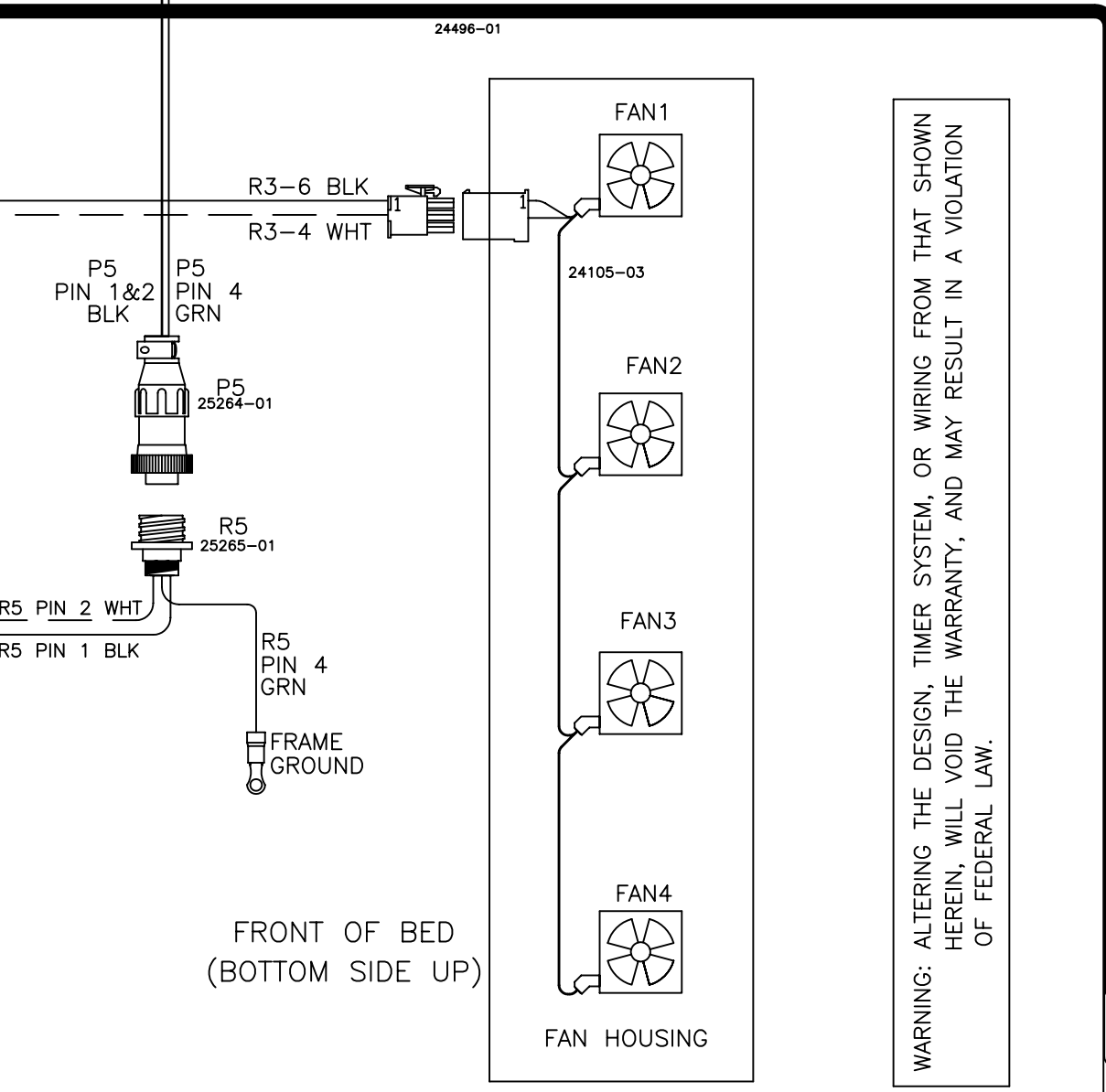
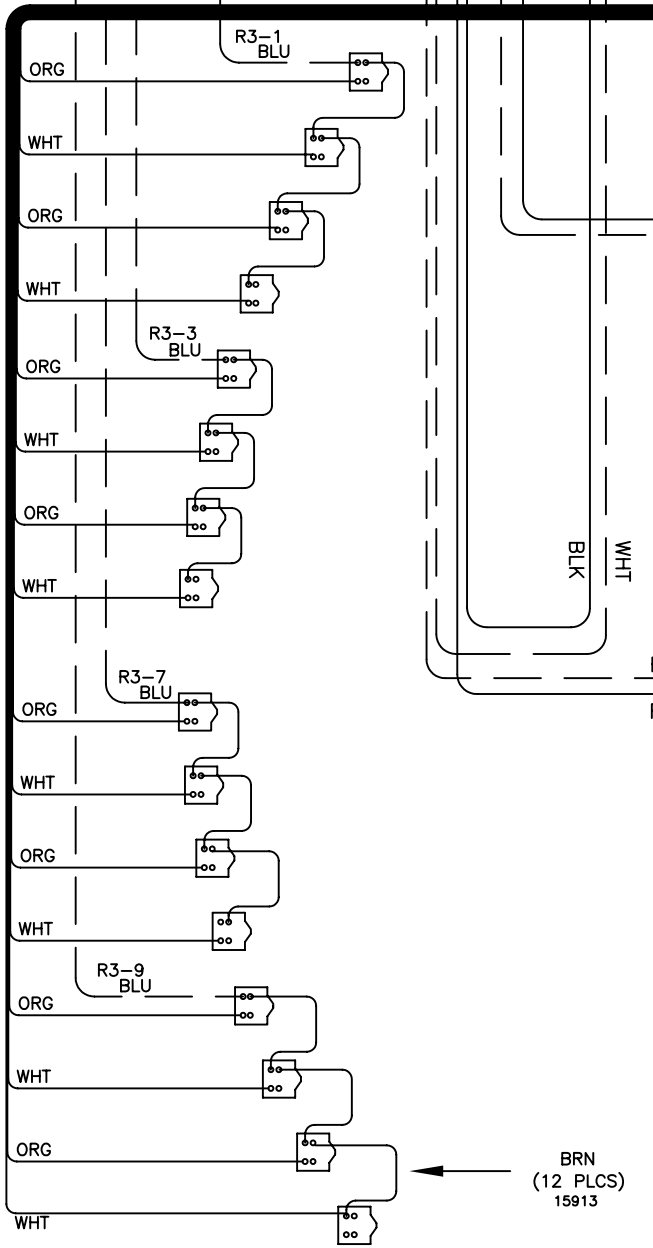
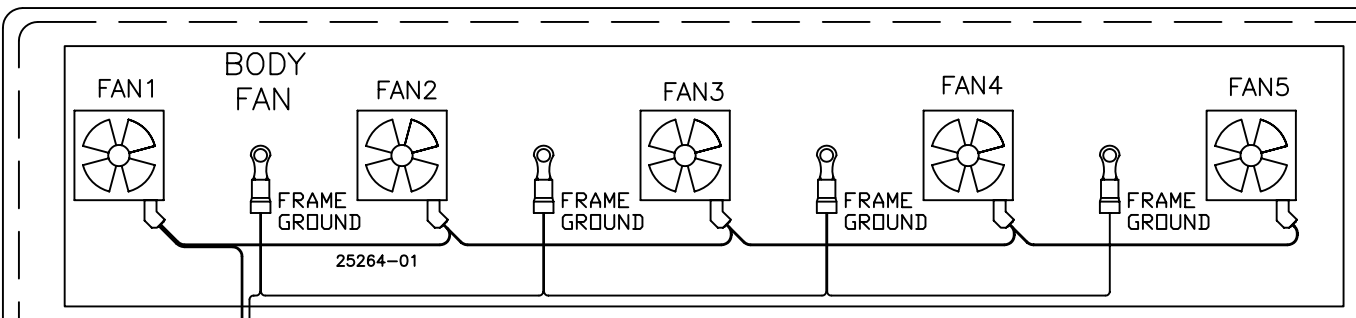
24716-01 ● = PIN USED
○ = EMPTY

24497-01 ● = PIN USED
○ = EMPTY

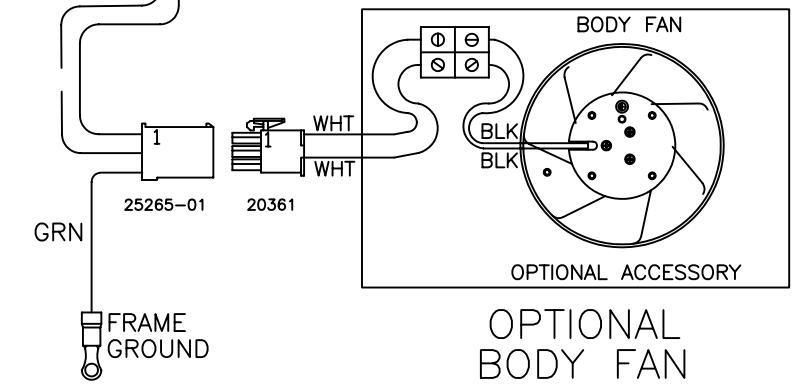
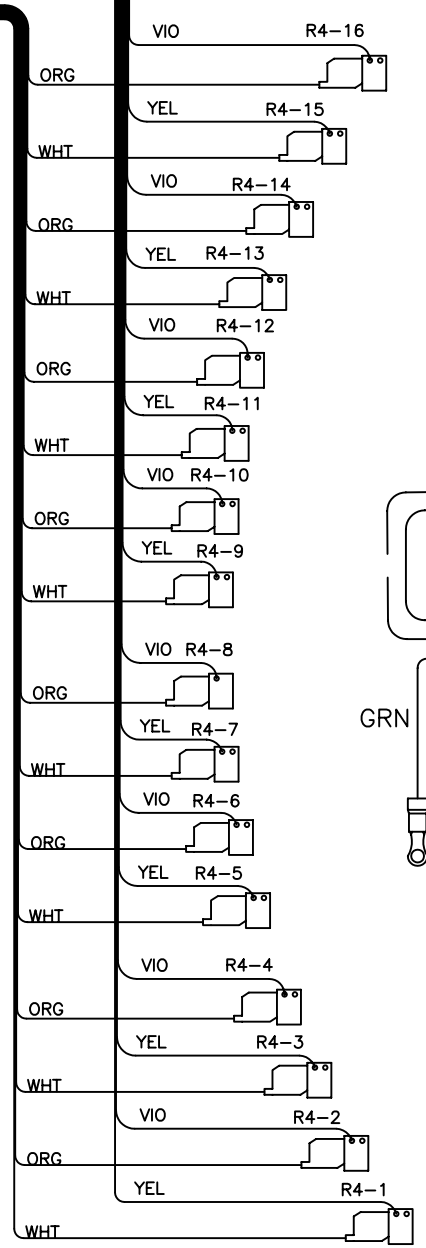
29164-01, REV A
432MG3F BENCH
WIRING DIAGRAM



PIN #	R3 FUNCTIONS
1	LAMP RETURN 1
2	GROUND
3	LAMP RETURN 2
4	FAN RETURN
5	BODY FAN CONTROL
6	FAN FEED
7	LAMP RETURN 3
8	BODY FAN RTN
9	LAMP RETURN 4



WARNING: ALTERING THE DESIGN, TIMER SYSTEM, OR WIRING FROM THAT SHOWN HEREIN, WILL VOID THE WARRANTY, AND MAY RESULT IN A VIOLATION OF FEDERAL LAW.



HEAD END

FOOT END

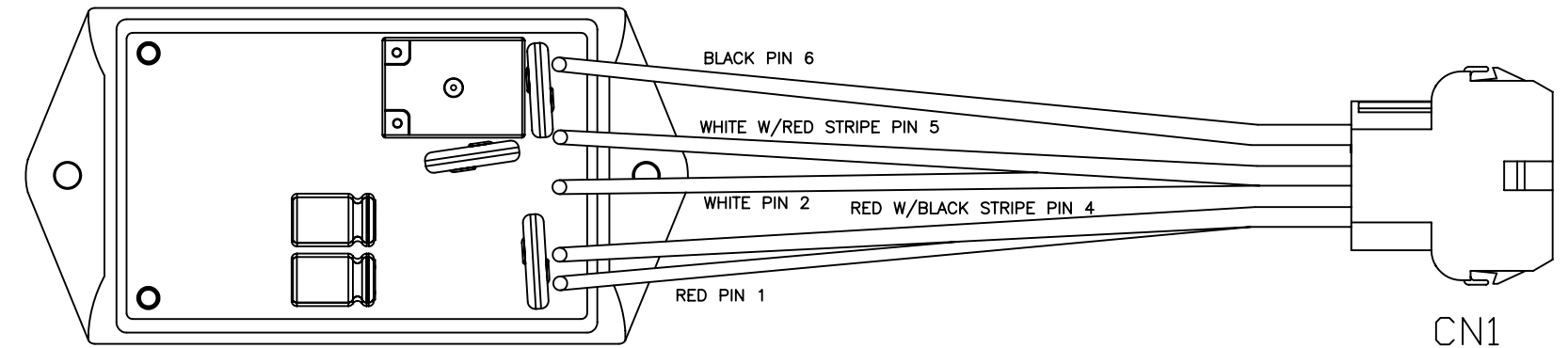
BRN (12 PLCS) 15913

29164-01, REV A
 432MG3F MAIN TIMER
 AND ELECTRONIC BACK-UP TIMER

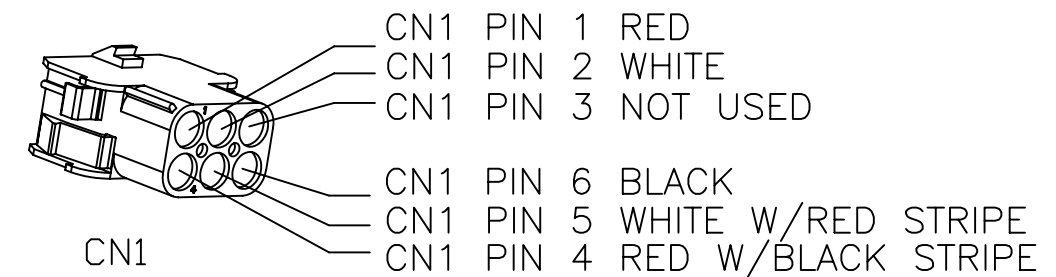
PART#	BACK-UP TIMER DURATION
-01	8 MIN
-02	9 MIN
-03	10 MIN
-04	11 MIN
-05	12 MIN
-06	14 MIN
-07	15 MIN
-08	18 MIN
-09	20 MIN

29054-0x

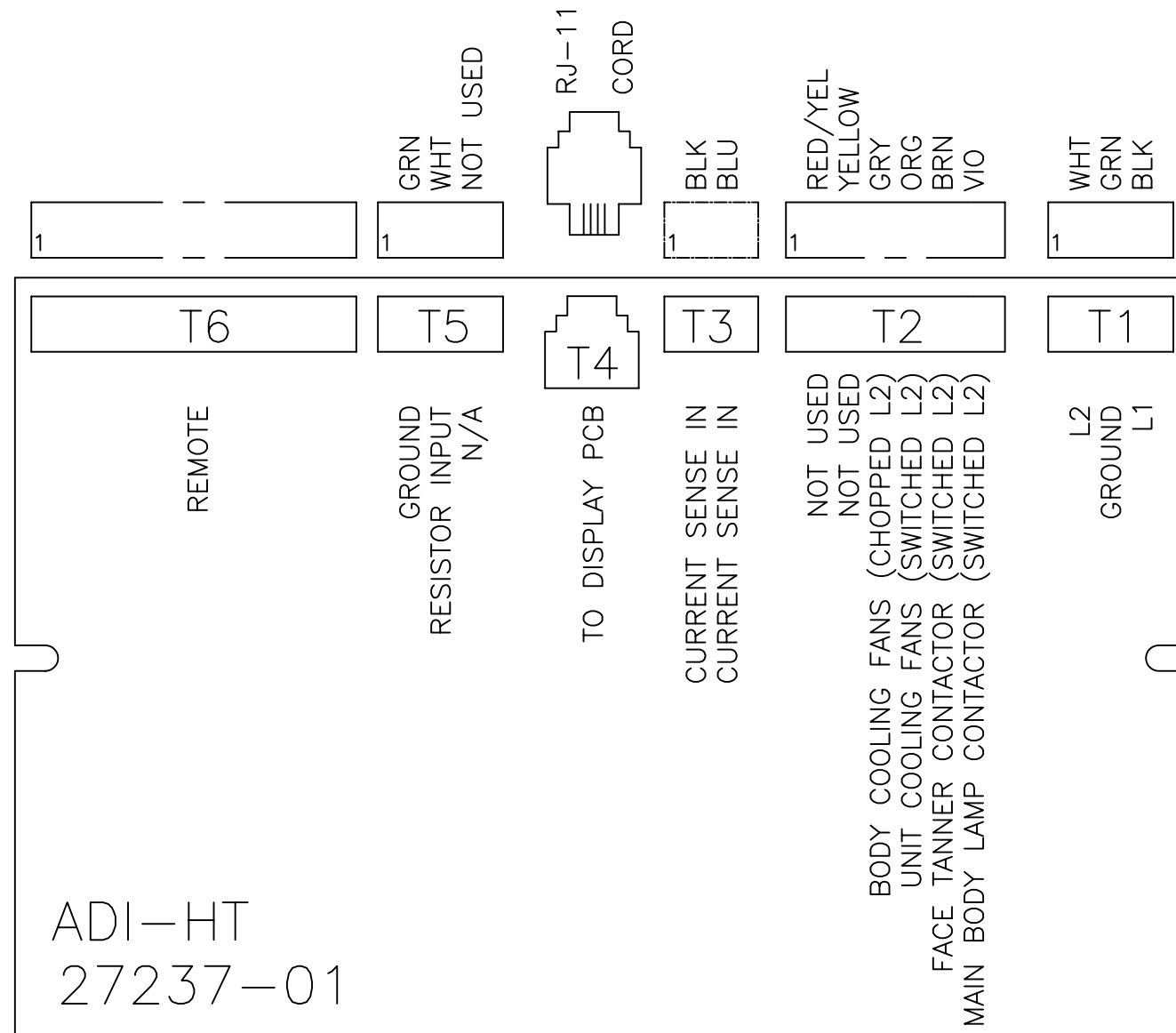
WHERE X CAN BE ANY NUMBER FROM 1-9
 ADI-BRICK



- PIN 1: UNIT COOLING FANS INPUT (OUTPUT FROM MAIN TIMER) (SWITCHED L2)
- PIN 2: POWER (INPUT) (L1)
- PIN 3: N/A
- PIN 4: POWER (INPUT) (L1)
- PIN 5: MAIN BODY LAMPS INPUT (OUTPUT FROM MAIN TIMER) (SWITCHED L2)
- PIN 6: MAIN BODY LAMPS OUTPUT (TO MAIN BODY LAMP CONTACTOR) (SWITCHED L2)



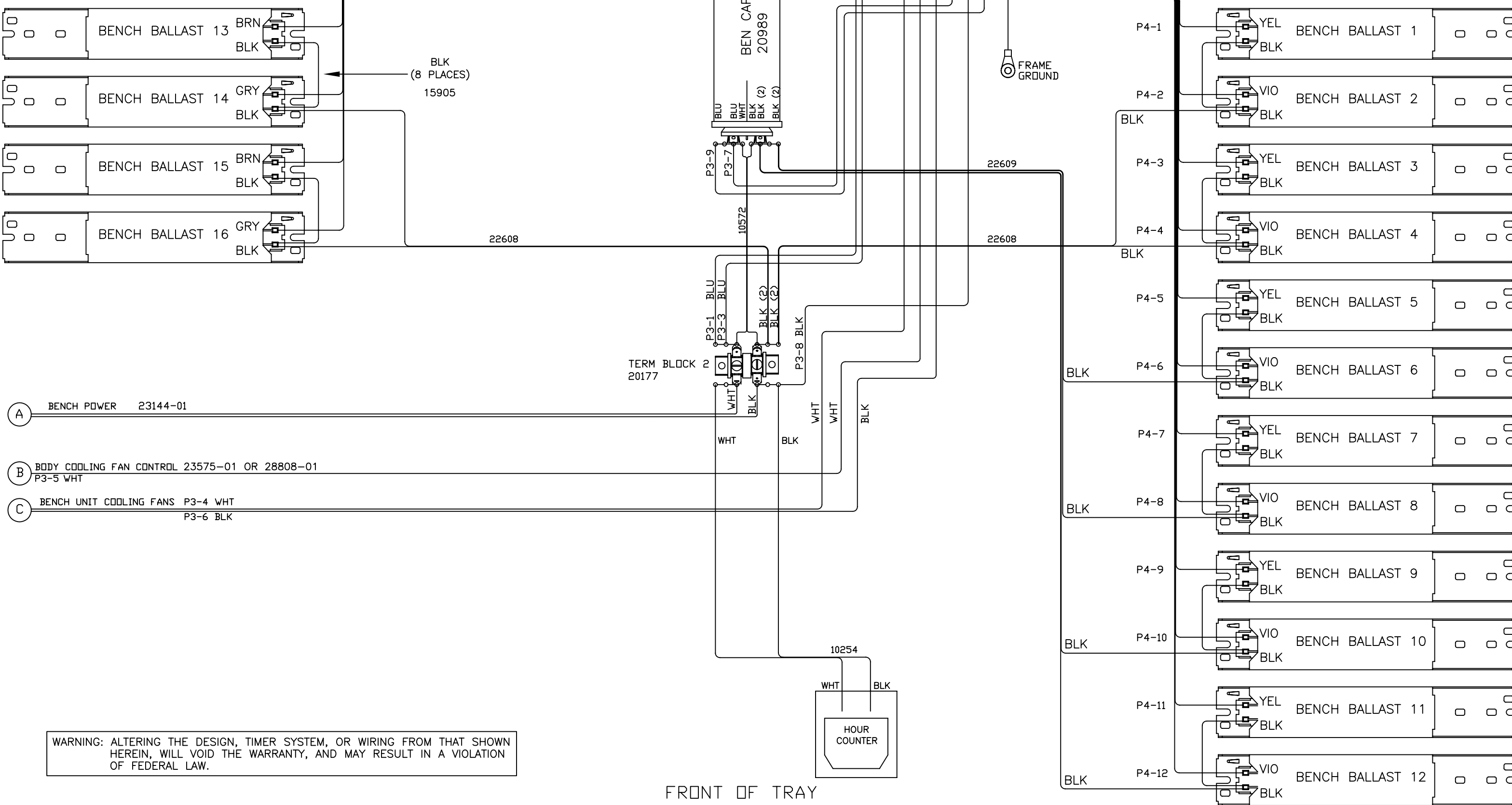
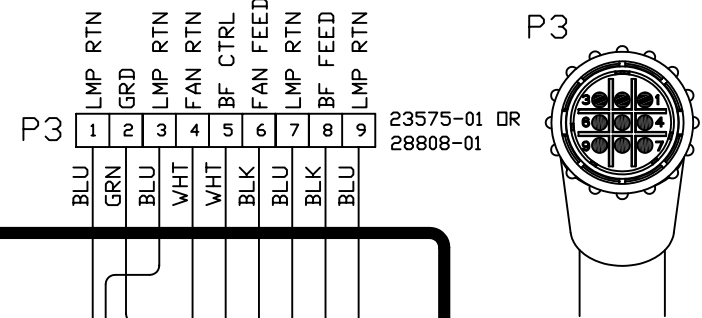
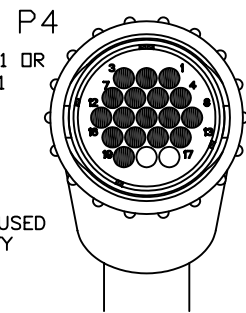
ELECTRONIC BACK-UP TIMER
 CONNECTOR DIAGRAM
 432MG3F



ADI-HT
 27237-01

ELECTRONIC MAIN TIMER
 CONNECTOR DIAGRAM
 432MG3F

29165-01, REV A
432MG3F TRAY
WIRING DIAGRAM



WARNING: ALTERING THE DESIGN, TIMER SYSTEM, OR WIRING FROM THAT SHOWN HEREIN, WILL VOID THE WARRANTY, AND MAY RESULT IN A VIOLATION OF FEDERAL LAW.

