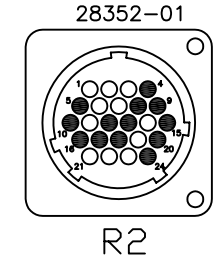
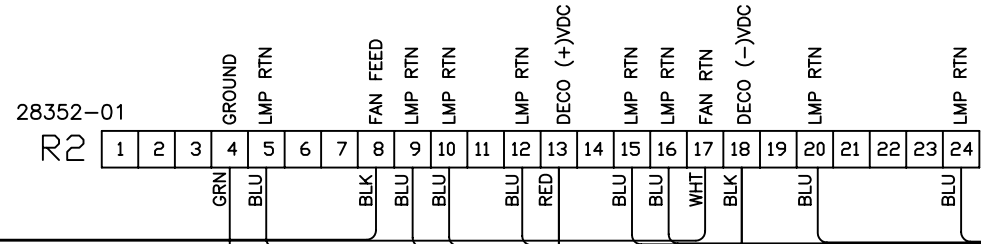
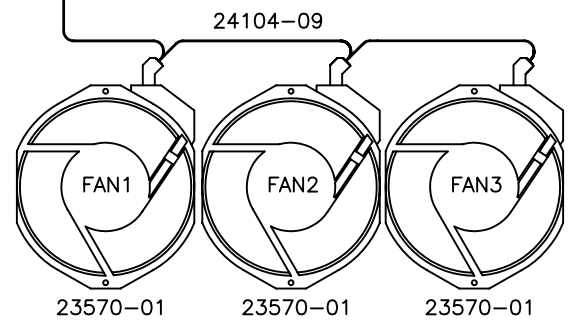
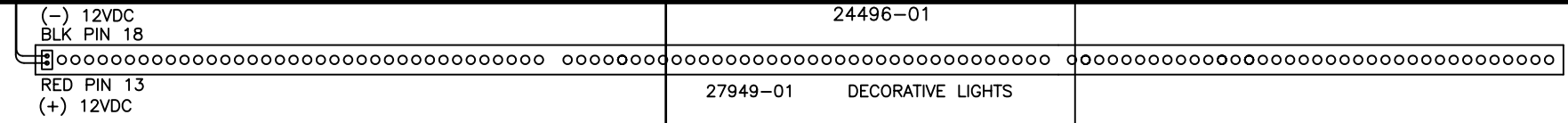
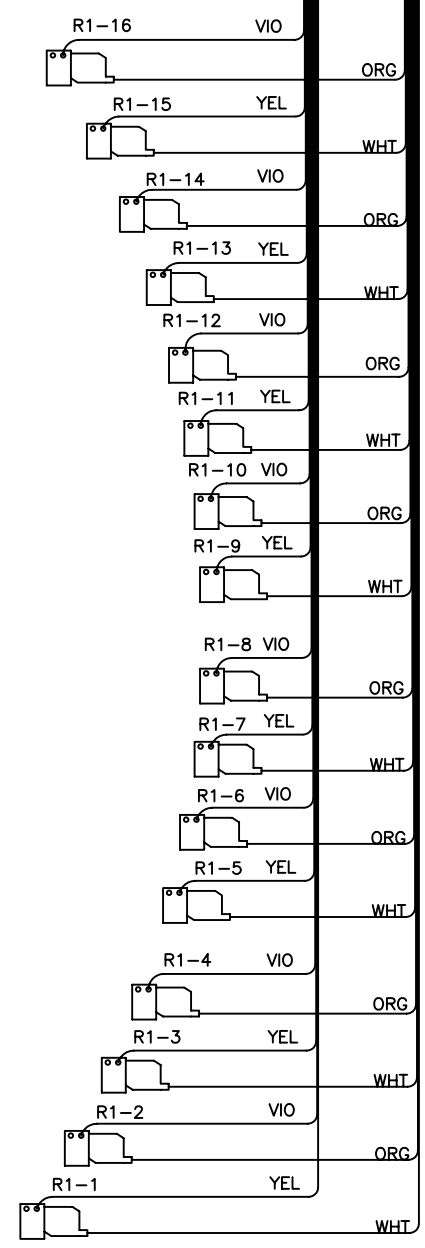


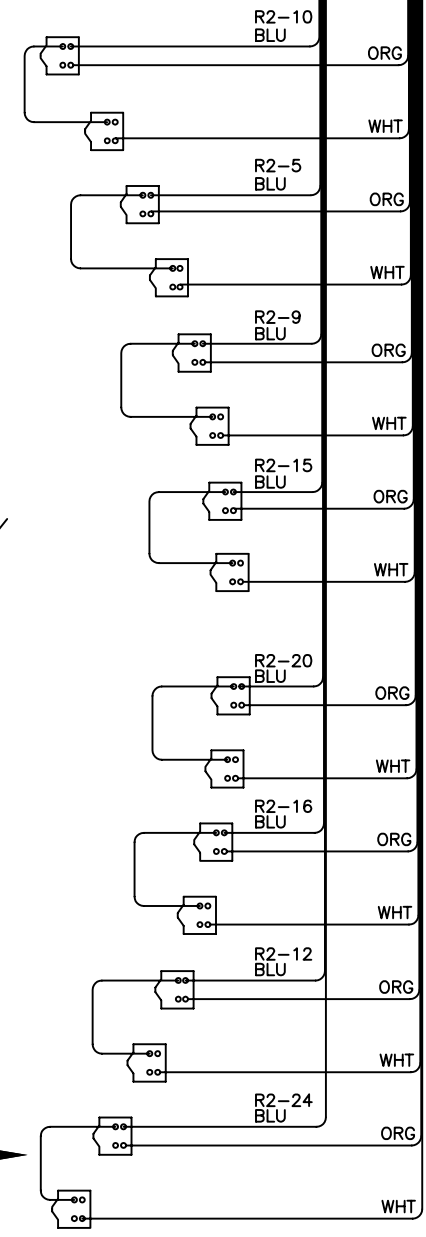
● = PIN USED  
○ = EMPTY



● = PIN USED  
○ = EMPTY



29159-01, REV A  
432 NO FACE CANOPY  
WIRING DIAGRAM



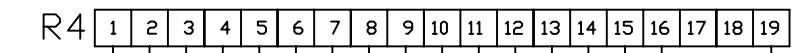
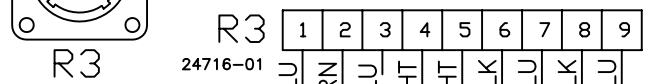
BRN  
(8 PLCS)  
15913



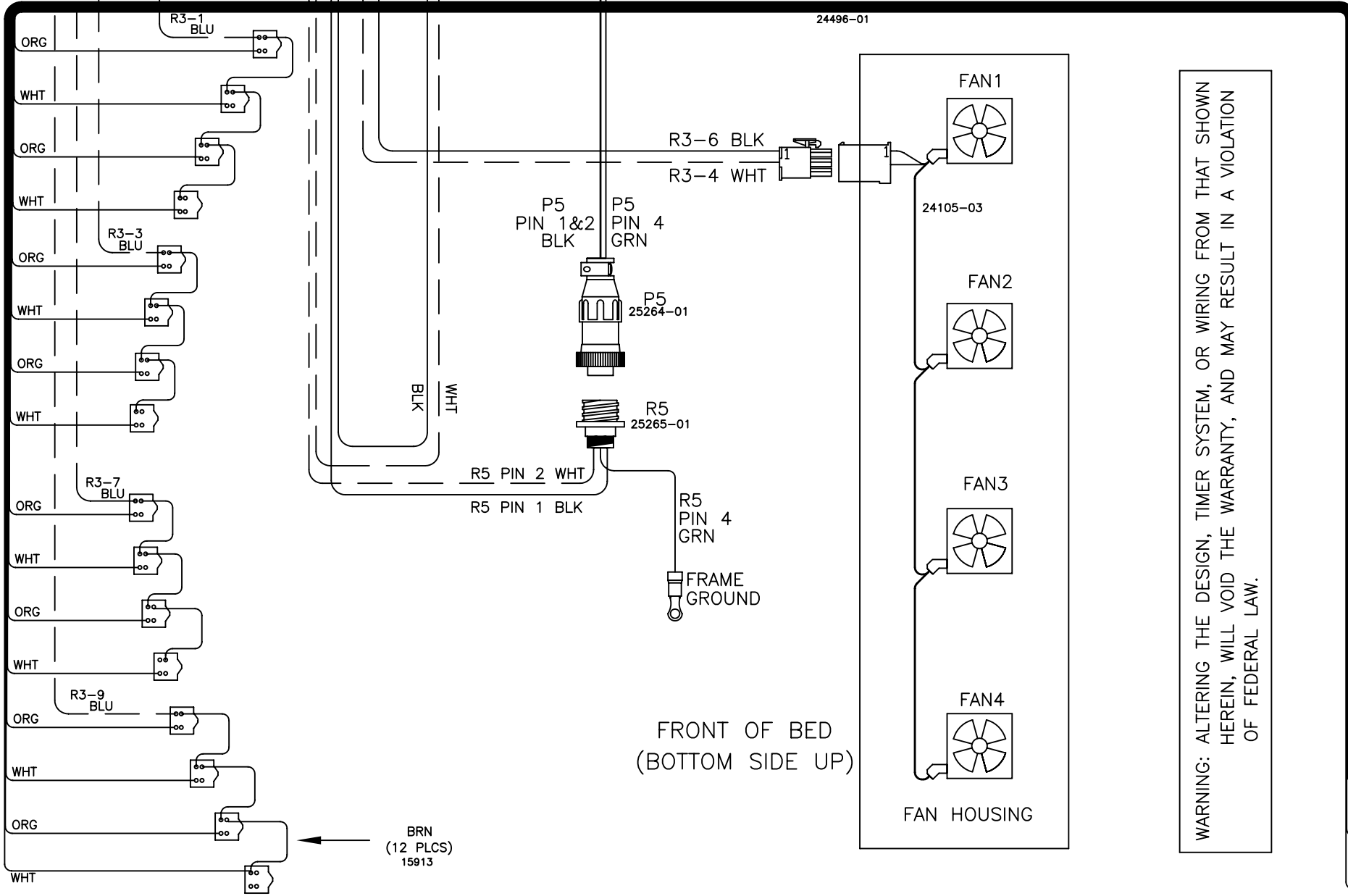
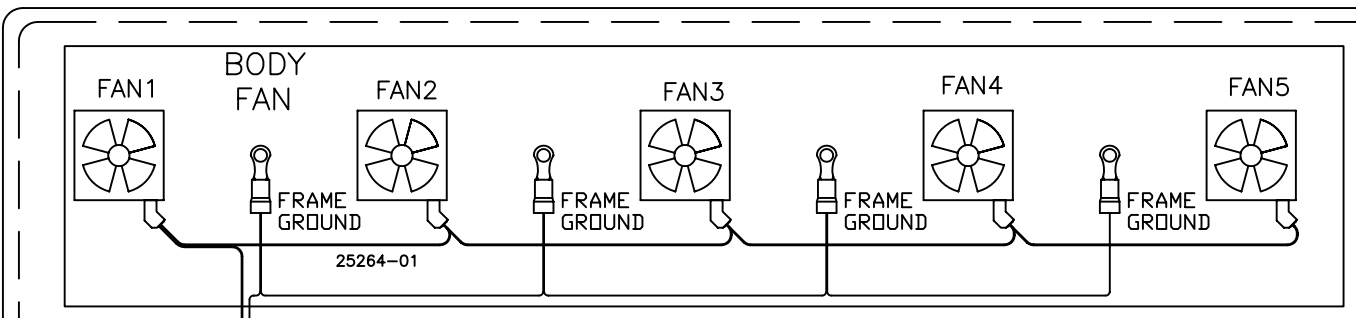
24716-01 ● = PIN USED  
○ = EMPTY

24497-01 ● = PIN USED  
○ = EMPTY

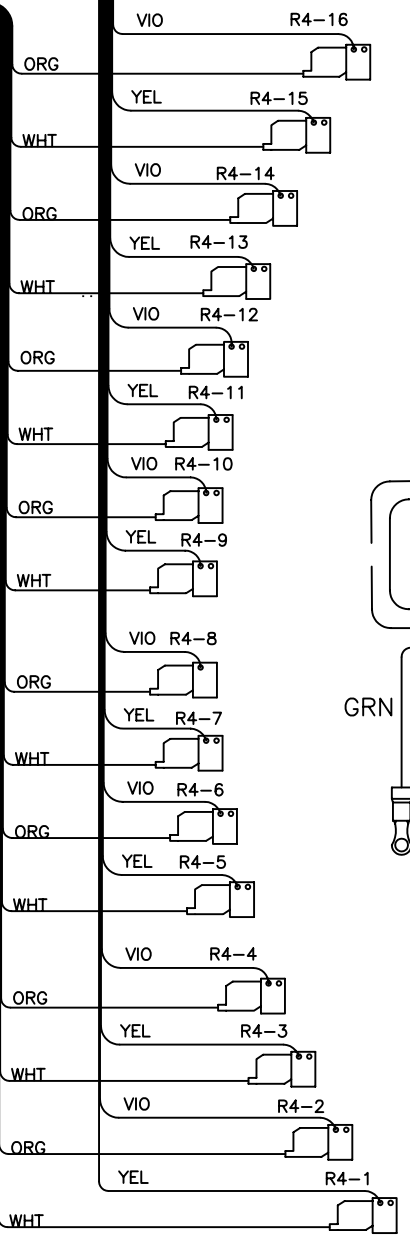
29160-01, REV A  
432/432-3F BENCH  
WIRING DIAGRAM



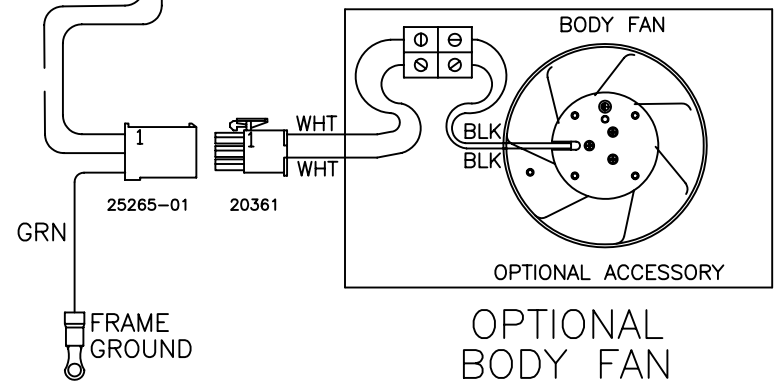
PIN #	R3 FUNCTIONS
1	LAMP RETURN 1
2	GROUND
3	LAMP RETURN 2
4	FAN RETURN
5	BODY FAN CONTROL
6	FAN FEED
7	LAMP RETURN 3
8	BODY FAN RTN
9	LAMP RETURN 4



WARNING: ALTERING THE DESIGN, TIMER SYSTEM, OR WIRING FROM THAT SHOWN HEREIN, WILL VOID THE WARRANTY, AND MAY RESULT IN A VIOLATION OF FEDERAL LAW.



HEAD END  
BRN (12 PLCS) 15913



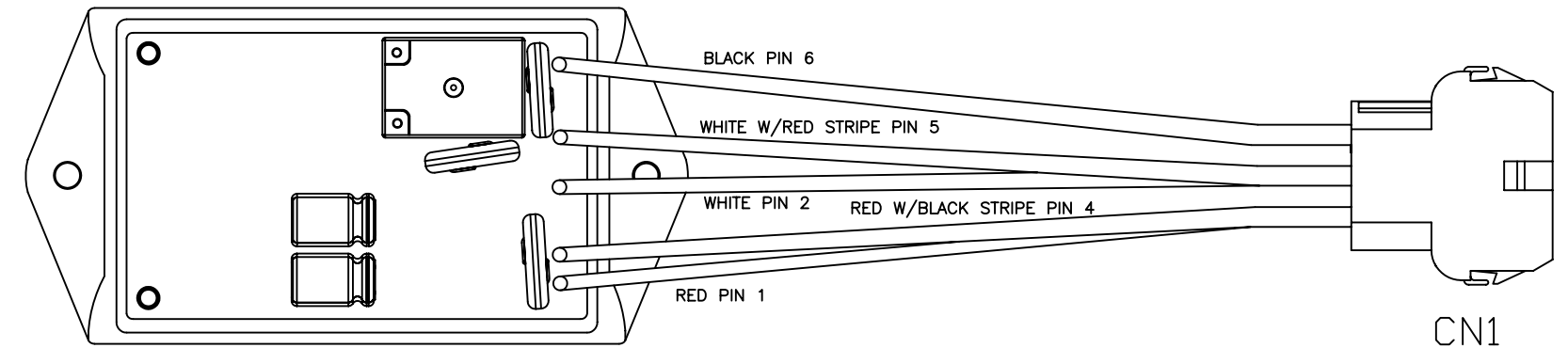
OPTIONAL BODY FAN

29160-01, REV A  
 432/432-3F MAIN TIMER  
 AND ELECTRONIC BACK-UP TIMER

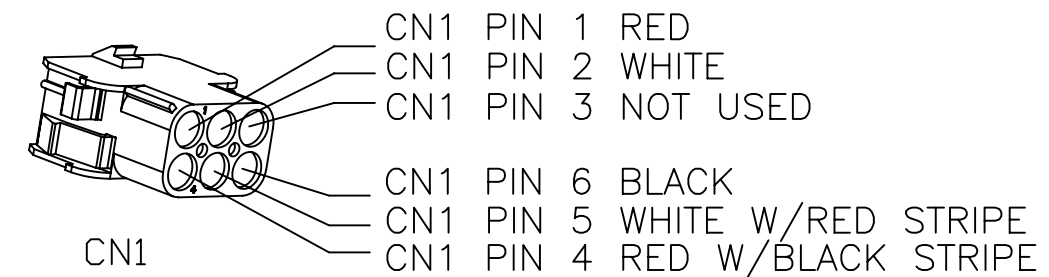
PART#	BACK-UP TIMER DURATION
-01	8 MIN
-02	9 MIN
-03	10 MIN
-04	11 MIN
-05	12 MIN
-06	14 MIN
-07	15 MIN
-08	18 MIN
-09	20 MIN

29054-0x

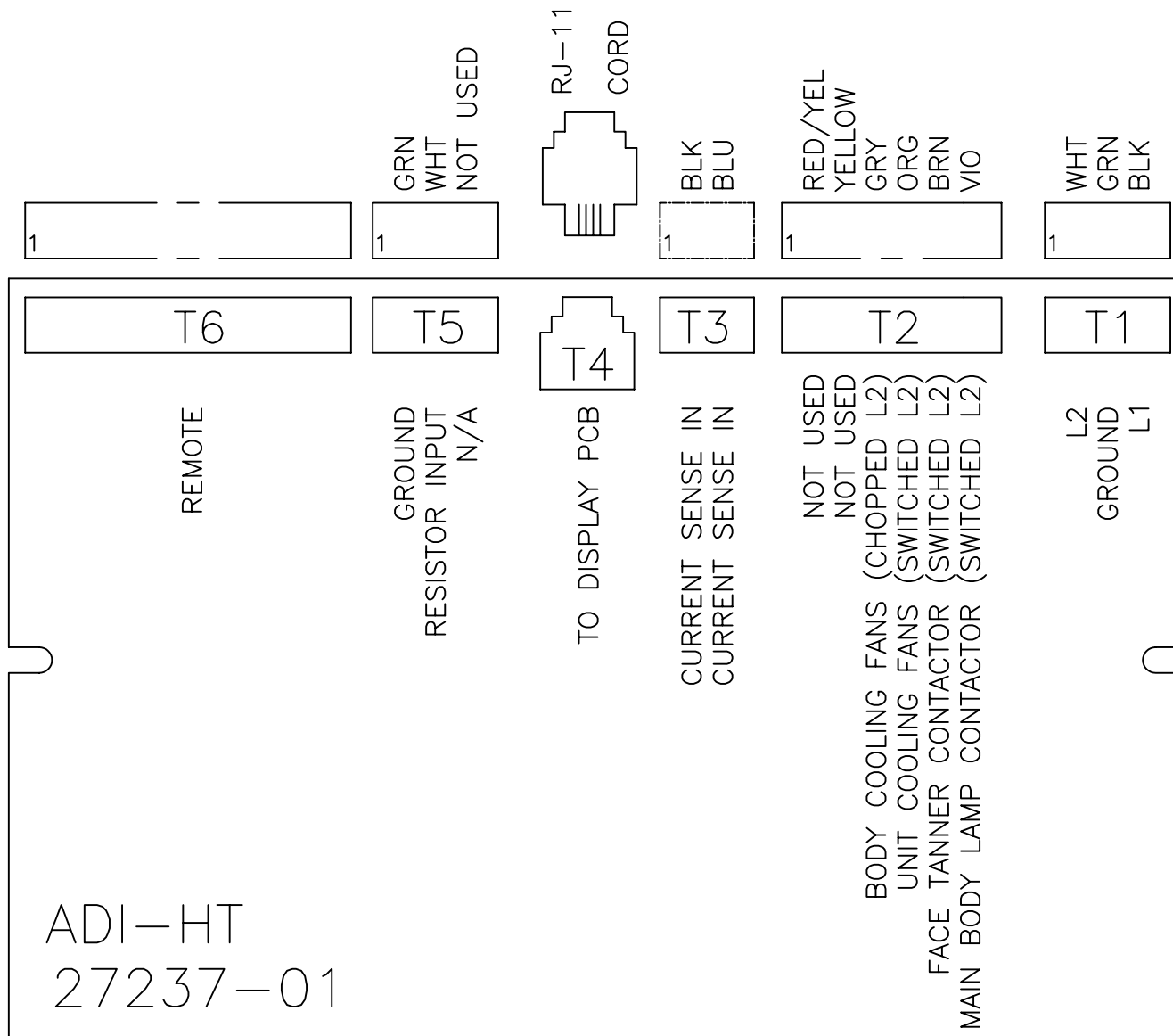
WHERE X CAN BE ANY NUMBER FROM 1-9  
 ADI-BRICK



- PIN 1: UNIT COOLING FANS INPUT (OUTPUT FROM MAIN TIMER) (SWITCHED L2)
- PIN 2: POWER (INPUT) (L1)
- PIN 3: N/A
- PIN 4: POWER (INPUT) (L1)
- PIN 5: MAIN BODY LAMPS INPUT (OUTPUT FROM MAIN TIMER) (SWITCHED L2)
- PIN 6: MAIN BODY LAMPS OUTPUT (TO MAIN BODY LAMP CONTACTOR) (SWITCHED L2)



ELECTRONIC BACK-UP TIMER  
 CONNECTOR DIAGRAM  
 432/432-3F



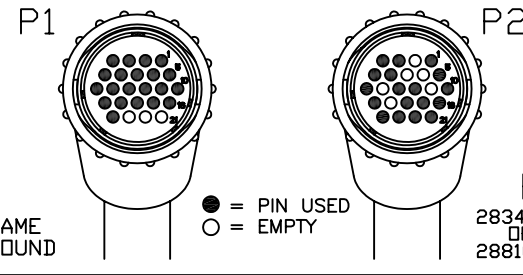
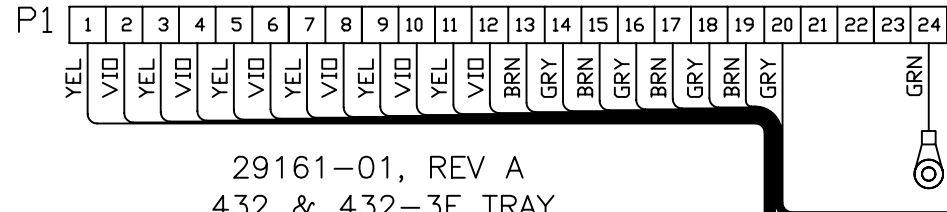
ADI-HT  
 27237-01

ELECTRONIC MAIN TIMER  
 CONNECTOR DIAGRAM  
 432/432-3F

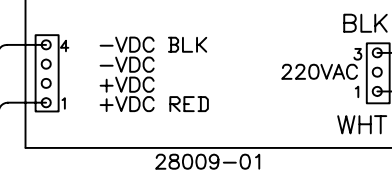


23574-01 OR 28806-01

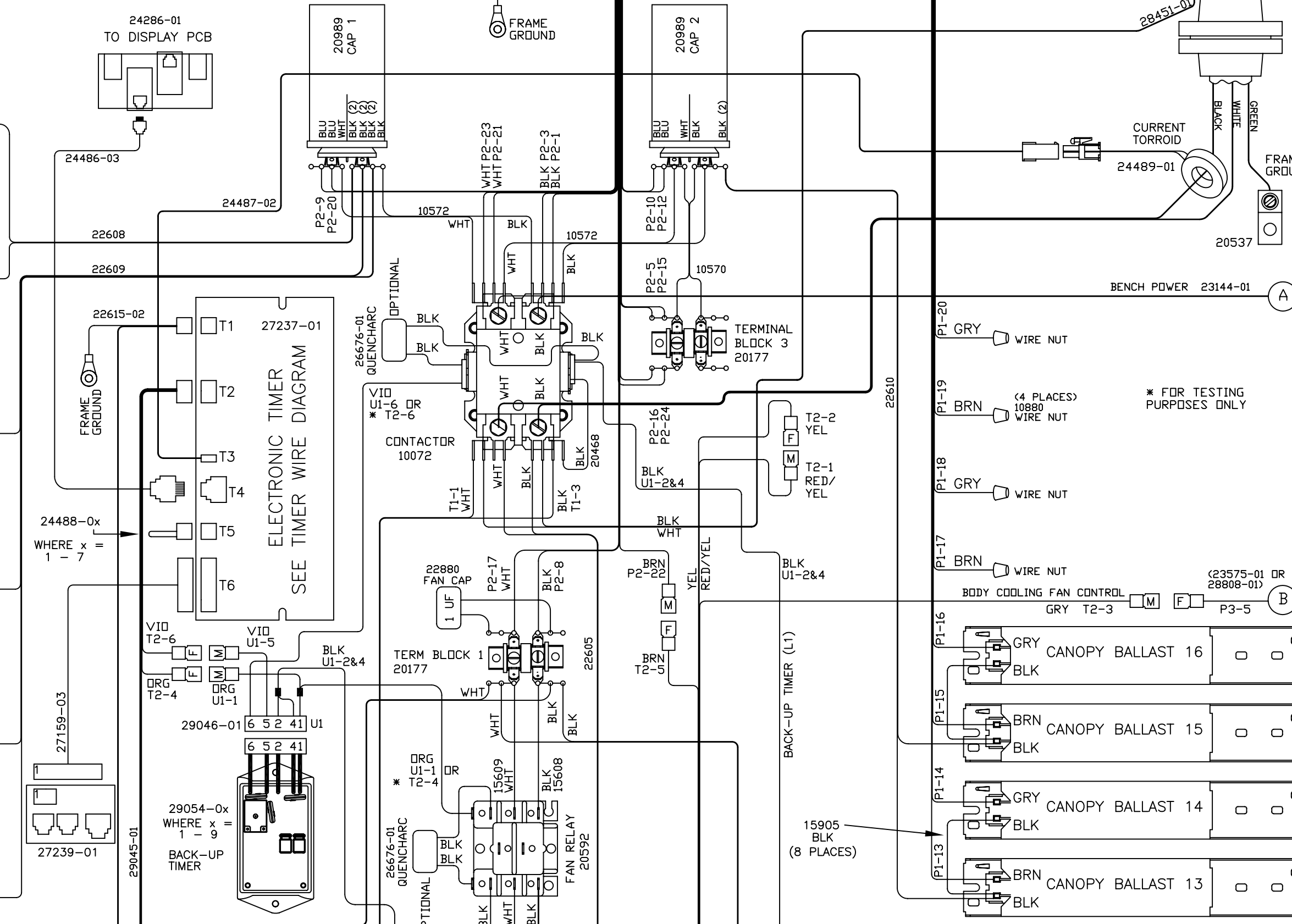
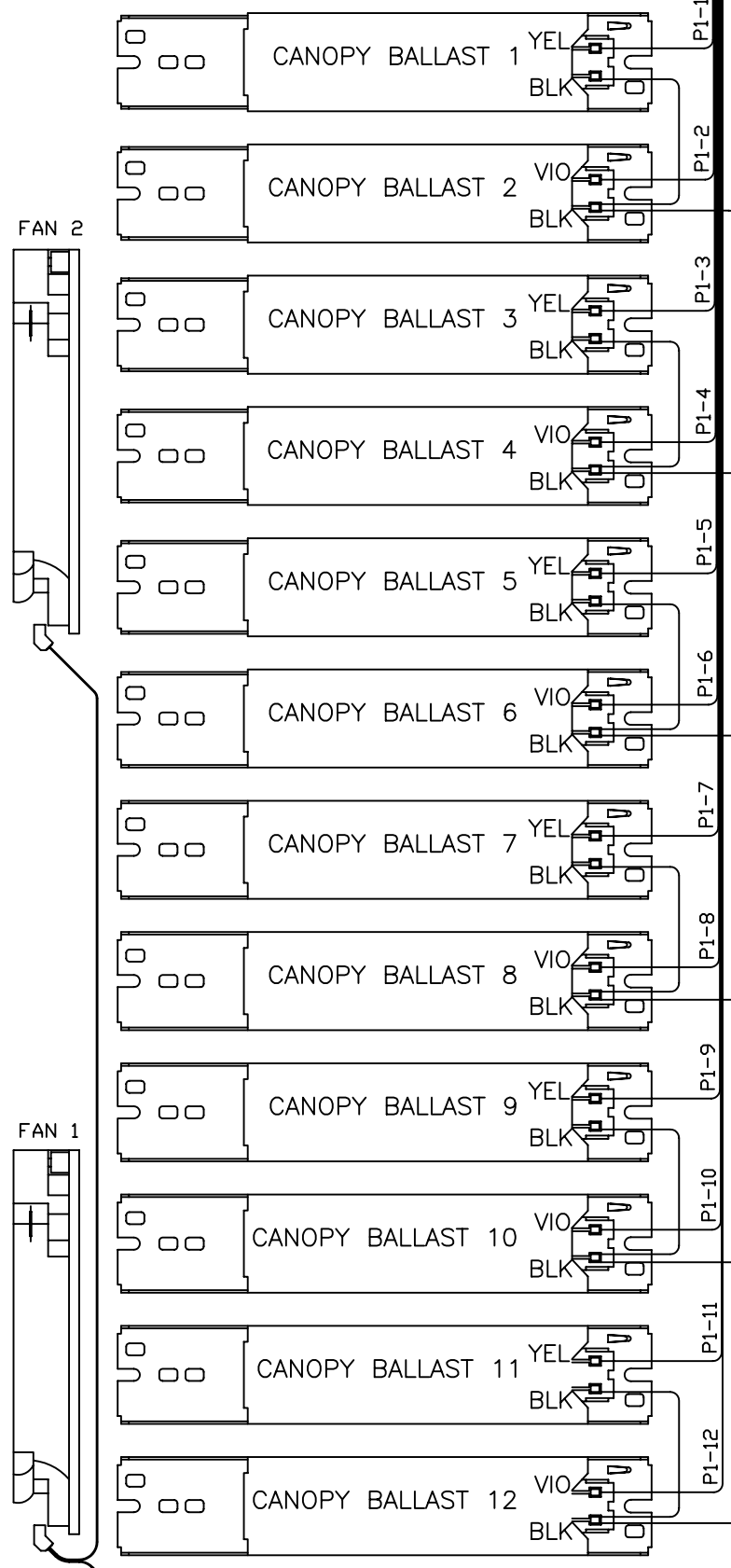
29161-01, REV A  
432 & 432-3F TRAY



DECORATIVE LITE POWER SUPPLY



29161-01, REV A  
432 & 432-3F TRAY



24103-04

P3-4 & P3-6  
BENCH COOLING FANS (23575-01 OR 28808-01)

\* FOR TESTING PURPOSES ONLY

ELECTRONIC TIMER  
SEE TIMER WIRE DIAGRAM

24488-0x  
WHERE x =  
1 - 7

29054-0x  
WHERE x =  
1 - 9  
BACK-UP  
TIMER

BACK-UP TIMER (L1)

15905  
BLK  
(8 PLACES)

(A)

(B)

(C)