

29097-01, REV A  
332-3 FACE REJUVENATION  
WITH OMNILUX  
CANOPY WIRING DIAGRAM

24VDC POWER SUPPLY		FEED	L	WHT
	RETURN	N	WHT	
	GND	GND	GRN	
	OVDC	V(-)	BLK	
	OVDC	V(-)	BLK	
	24VDC	V(+)	RED	
	24VDC	V(+)	RED	

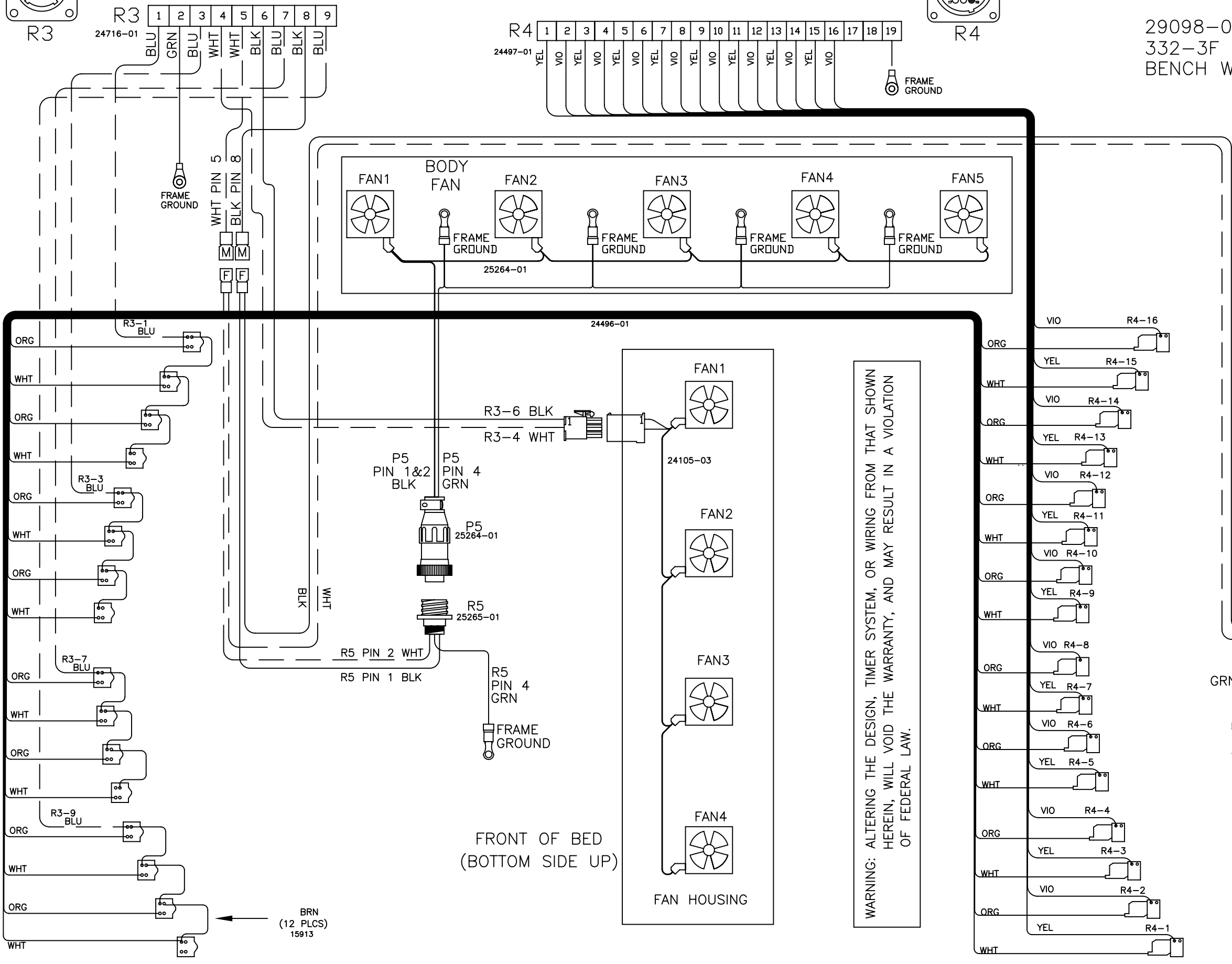
GRN = OVDC GND  
GRN AND VIO = 3.3VDC = RED LEDS ARE ON  
GRN AND RED = 3.3VDC = IR LEDS ARE ON  
GRN AND VIO = OVDC = RED LEDS ARE OFF  
GRN AND RED = OVDC = IR LEDS ARE OFF

BLK = HOT  
BLK & RED/YEL = 220VAC = RED LEDS ON  
BLK & YEL = 220VAC = IR LEDS ON

24716-01 ● = PIN USED  
○ = EMPTY

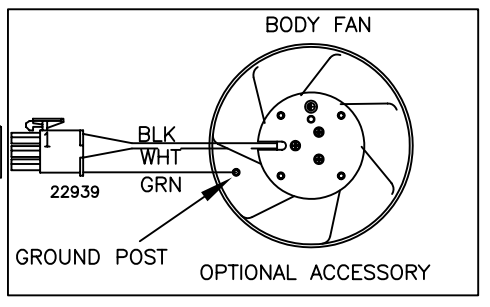
24497-01 ● = PIN USED  
○ = EMPTY

29098-01, REV A  
332-3F REJUVENATION WITH OMNILUX  
BENCH WIRING DIAGRAM



PIN #	R3 FUNCTIONS
1	LAMP RETURN 1
2	GROUND
3	LAMP RETURN 2
4	FAN RETURN
5	BODY FAN CONTROL
6	FAN FEED
7	LAMP RETURN 3
8	BODY FAN RTN
9	LAMP RETURN 4

WARNING: ALTERING THE DESIGN, TIMER SYSTEM, OR WIRING FROM THAT SHOWN HEREIN, WILL VOID THE WARRANTY, AND MAY RESULT IN A VIOLATION OF FEDERAL LAW.



FRONT OF BED  
(BOTTOM SIDE UP)

BRN  
(12 PLCS)  
15913



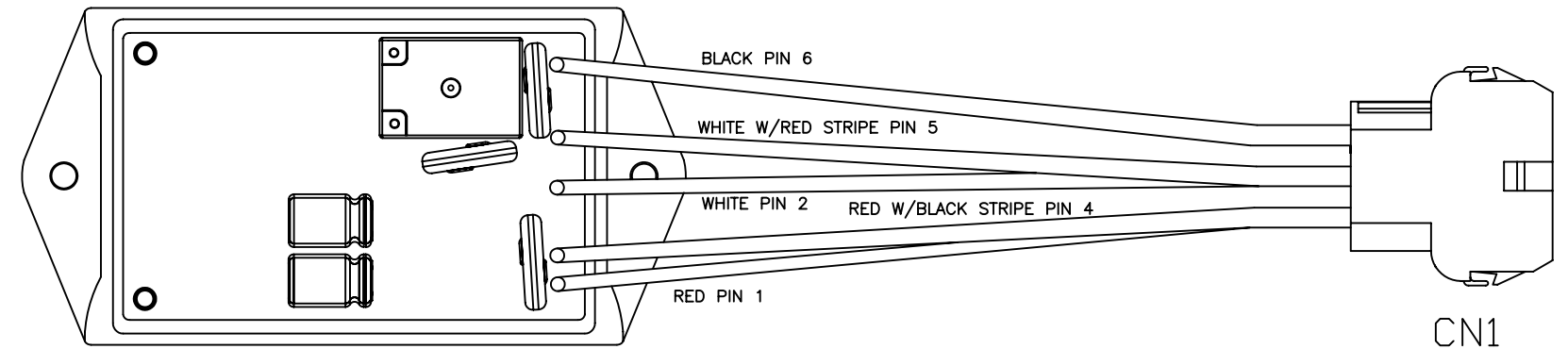


29098-01, REV A REJUVENATION  
WITH OMNILUX ELECTRONIC TIMER  
AND ELECTRONIC BACK-UP TIMER

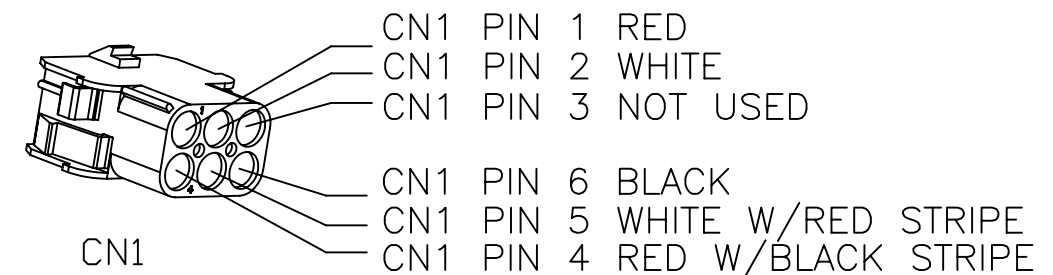
PART#	BACK-UP TIMER DURATION
-01	8 MIN
-02	9 MIN
-03	10 MIN
-04	11 MIN
-05	12 MIN
-06	14 MIN
-07	15 MIN
-08	18 MIN
-09	20 MIN

29054-0x

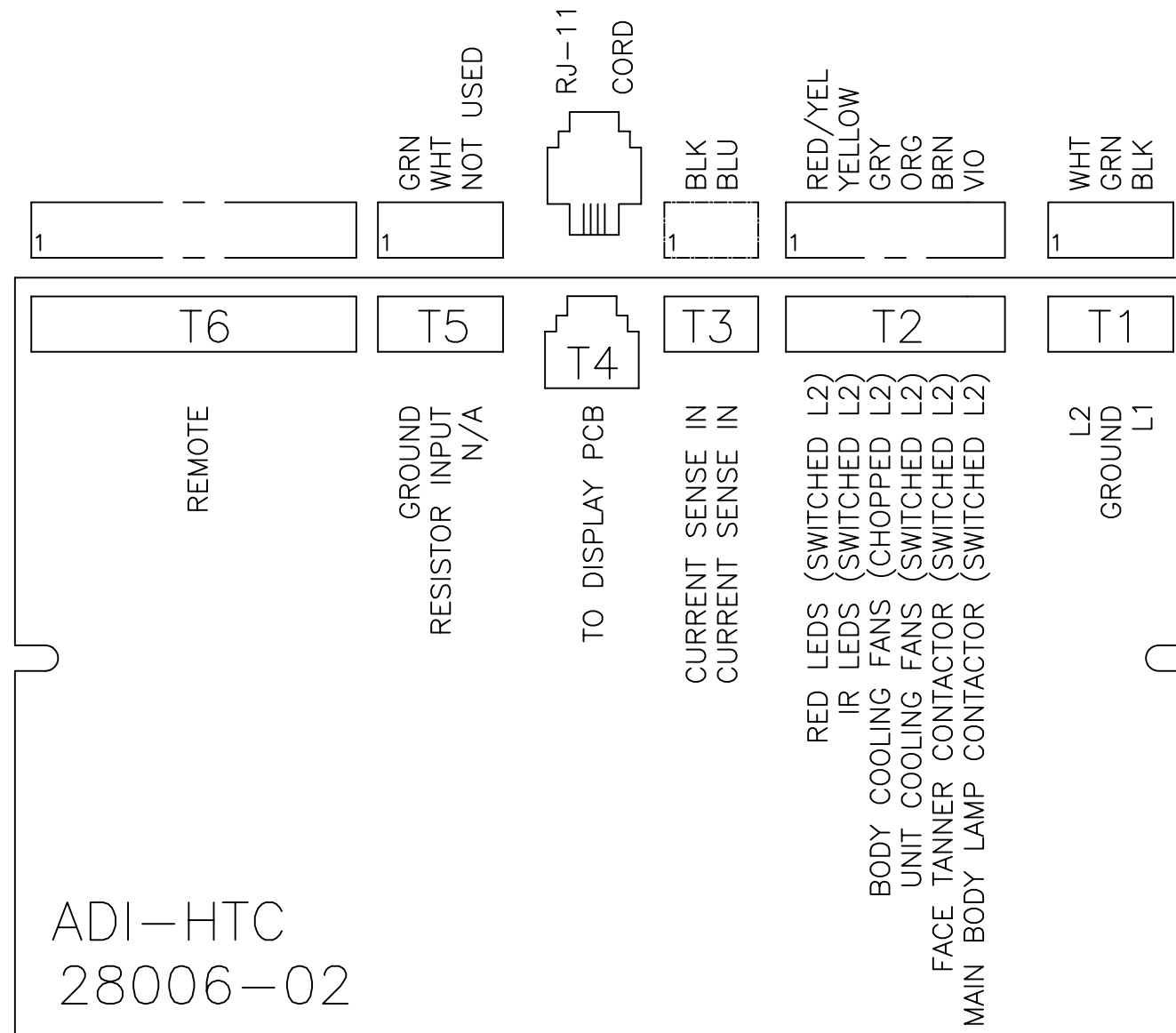
WHERE X CAN BE ANY NUMBER FROM 1-9  
ADI-BRICK



- PIN 1: UNIT COOLING FANS INPUT (OUTPUT FROM MAIN TIMER) (SWITCHED L2)
- PIN 2: POWER (INPUT) (L1)
- PIN 3: N/A
- PIN 4: POWER (INPUT) (L1)
- PIN 5: MAIN BODY LAMPS INPUT (OUTPUT FROM TIMER) (SWITCHED L2)
- PIN 6: MAIN BODY LAMPS OUTPUT (TO MAIN BODY LAMP CONTACTOR) (SWITCHED L2)



ELECTRONIC BACK-UP TIMER  
CONNECTOR DIAGRAM  
REJUVENATION WITH OMNILUX UNITS



ELECTRONIC TIMER  
CONNECTOR DIAGRAM  
REJUVASUN WITH OMNILUX UNITS