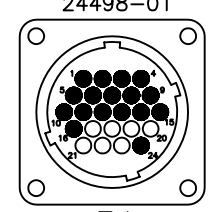
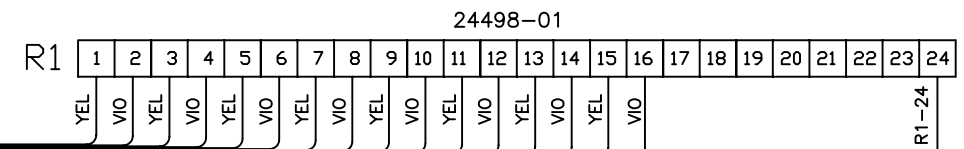
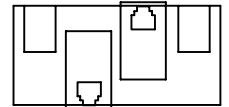
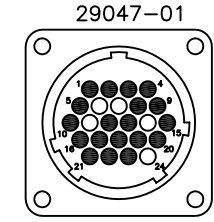
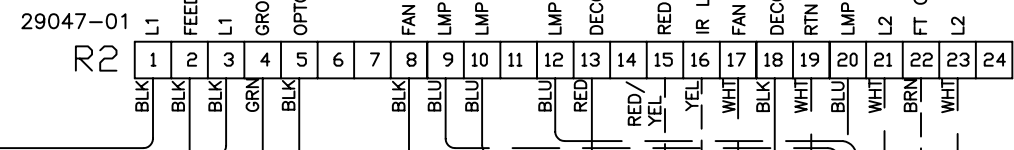


TO TIMER
24286-01

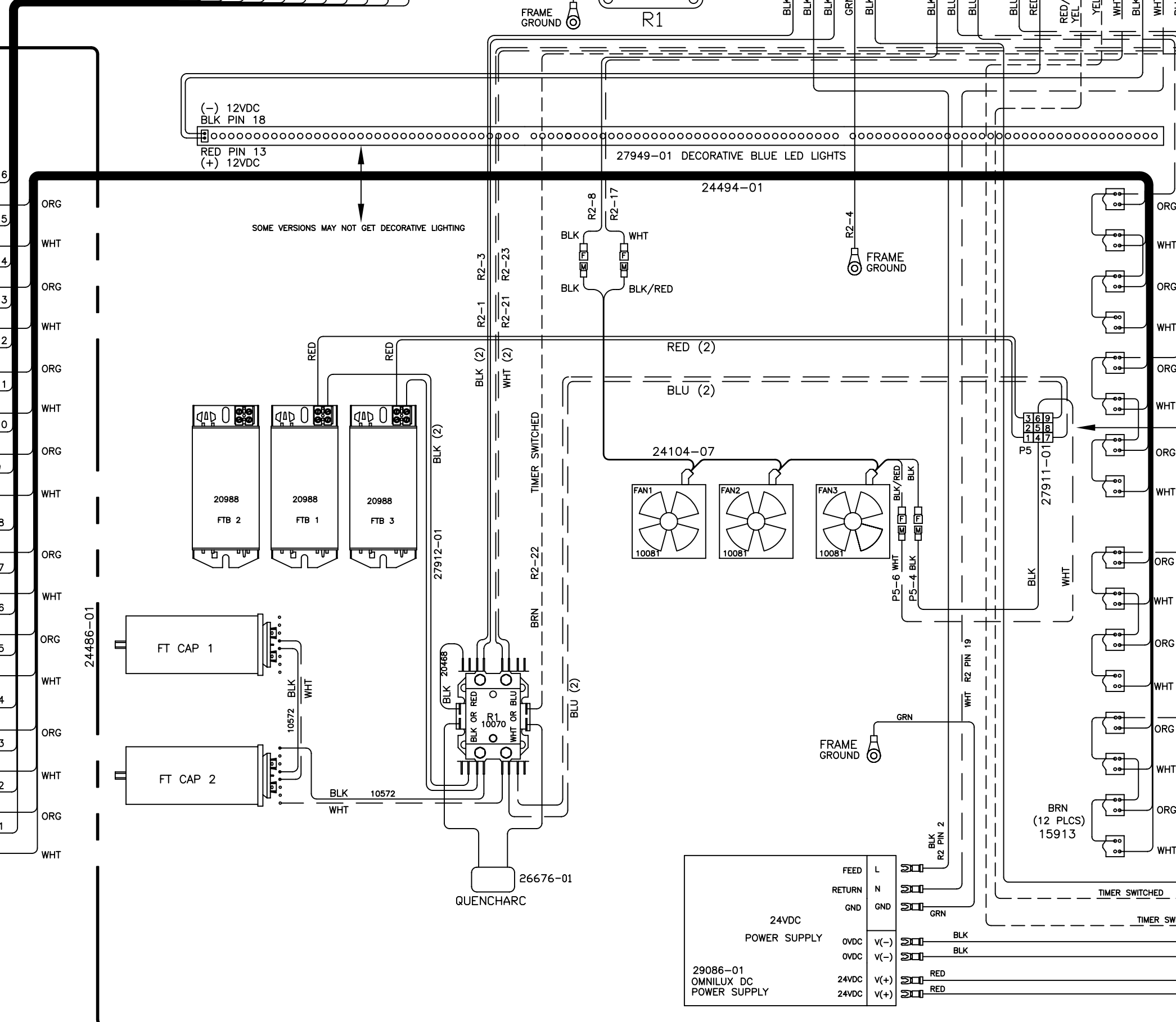


● = PIN USED
○ = EMPTY



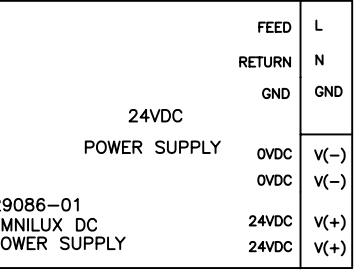
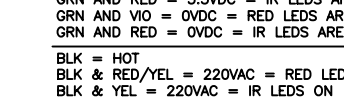
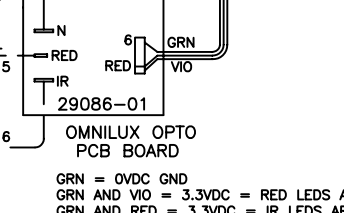
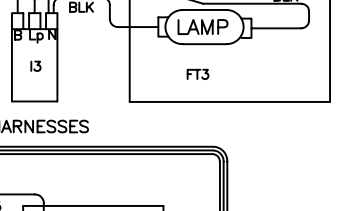
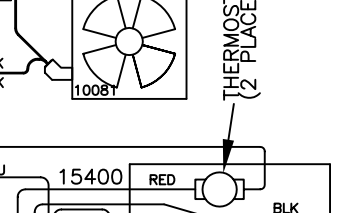
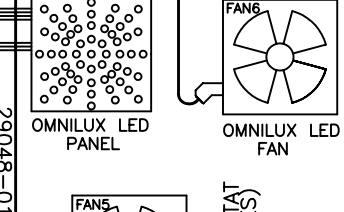
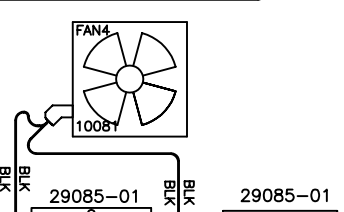
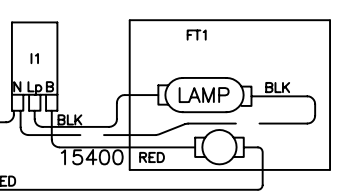
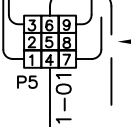
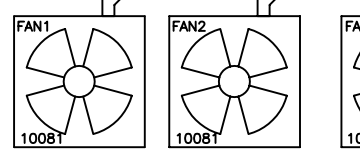
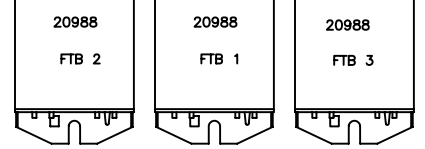
● = PIN USED
○ = EMPTY

29097-01, REV B 332-3 FACE REJUVENATION WITH OMNILUX CANOPY WIRING DIAGRAM



SOME VERSIONS MAY NOT GET DECORATIVE LIGHTING

24486-01



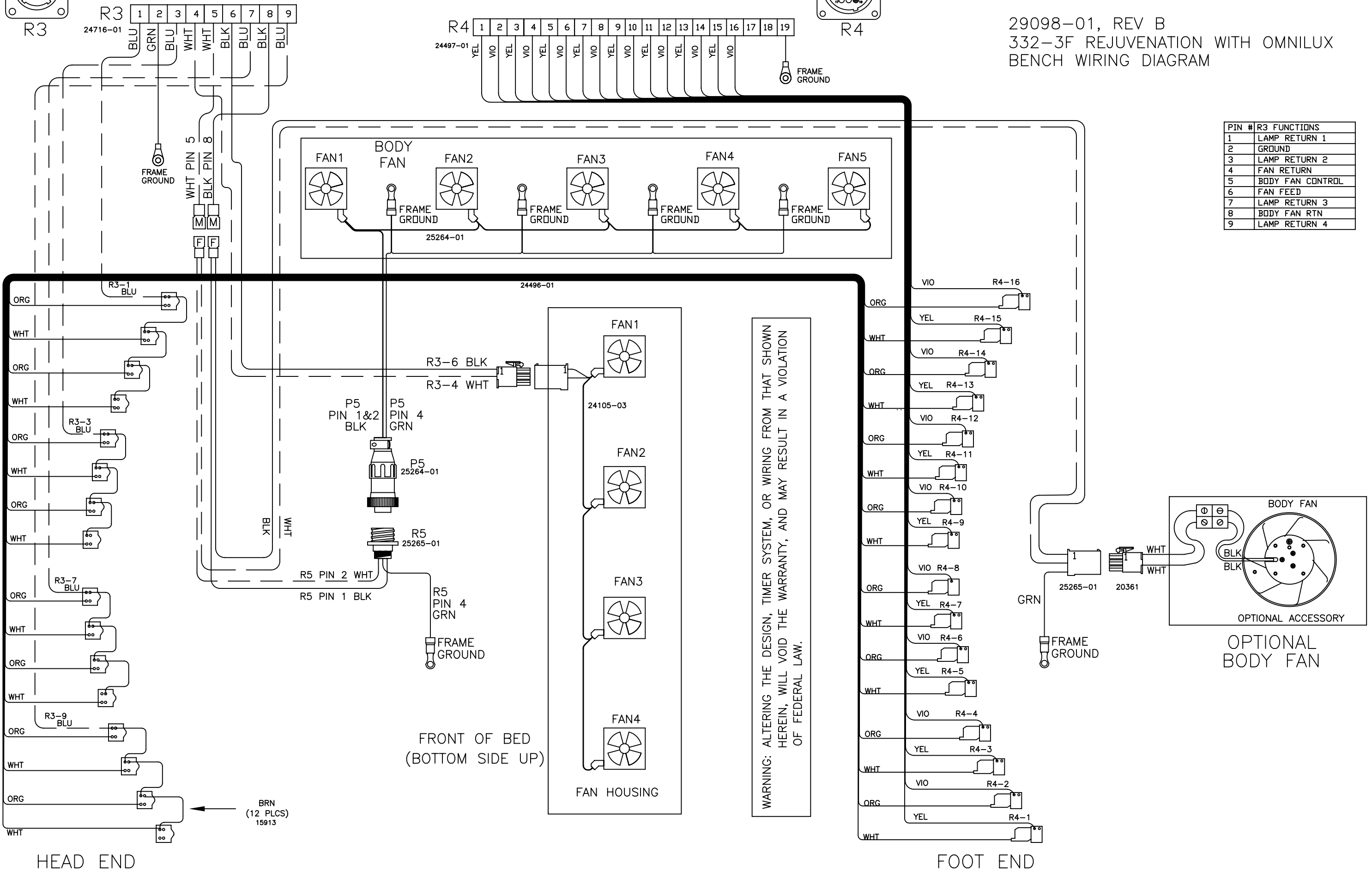
GRN = 0VDC GND
GRN AND VIO = 3.3VDC = RED LEDS ARE ON
GRN AND RED = 3.3VDC = IR LEDS ARE ON
GRN AND VIO = 0VDC = RED LEDS ARE OFF
GRN AND RED = 0VDC = IR LEDS ARE OFF

BLK = HOT
BLK & RED/YEL = 220VAC = RED LEDS ON
BLK & YEL = 220VAC = IR LEDS ON

24716-01 ● = PIN USED
○ = EMPTY

24497-01 ● = PIN USED
○ = EMPTY

29098-01, REV B
332-3F REJUVENATION WITH OMNILUX
BENCH WIRING DIAGRAM



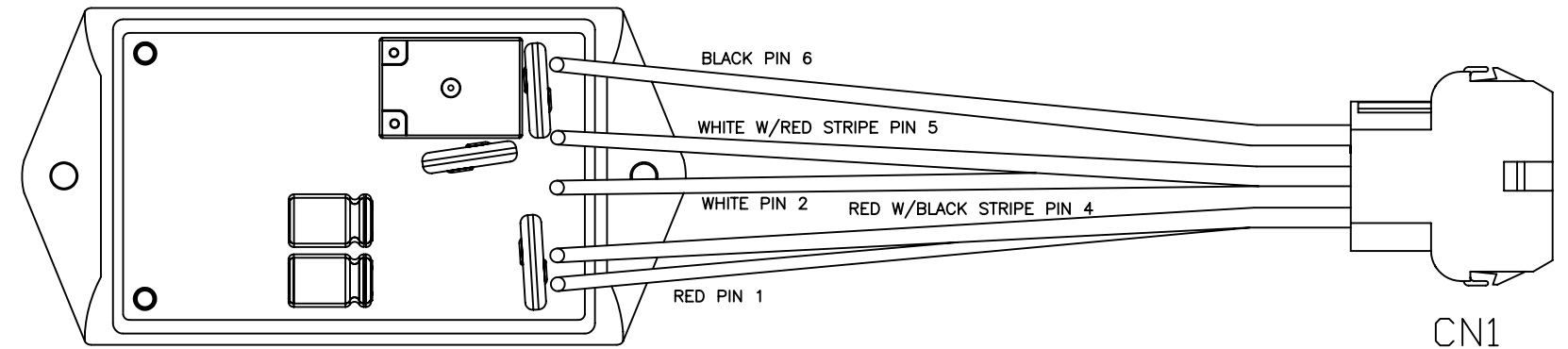
PIN #	R3 FUNCTIONS
1	LAMP RETURN 1
2	GROUND
3	LAMP RETURN 2
4	FAN RETURN
5	BODY FAN CONTROL
6	FAN FEED
7	LAMP RETURN 3
8	BODY FAN RTN
9	LAMP RETURN 4

29098-01, REV B REJUVENATION
WITH OMNILUX MAIN ELECTRONIC TIMER
AND ELECTRONIC BACK-UP TIMER

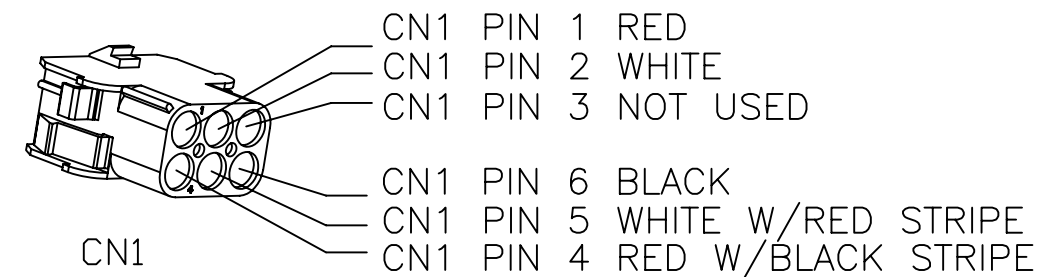
PART#	BACK-UP TIMER DURATION
-01	8 MIN
-02	9 MIN
-03	10 MIN
-04	11 MIN
-05	12 MIN
-06	14 MIN
-07	15 MIN
-08	18 MIN
-09	20 MIN

29054-0x

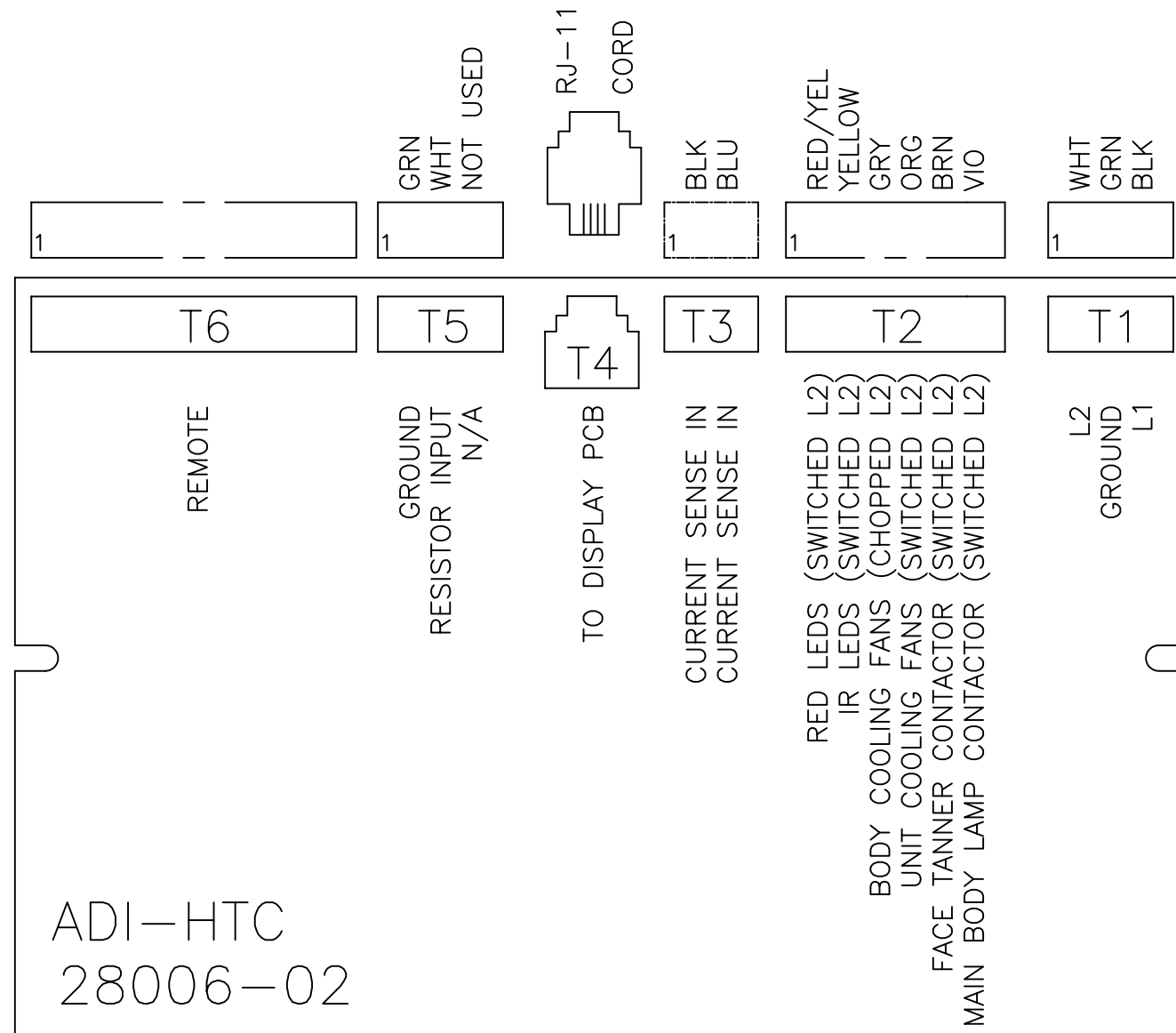
WHERE X CAN BE ANY NUMBER FROM 1-9
ADI-BRICK



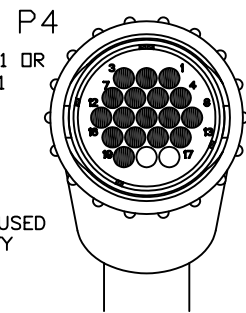
- PIN 1: UNIT COOLING FANS INPUT (OUTPUT FROM MAIN TIMER) (SWITCHED L2)
- PIN 2: POWER (INPUT) (L1)
- PIN 3: N/A
- PIN 4: POWER (INPUT) (L1)
- PIN 5: MAIN BODY LAMPS INPUT (OUTPUT FROM MAIN TIMER) (SWITCHED L2)
- PIN 6: MAIN BODY LAMPS OUTPUT (TO MAIN BODY LAMP CONTACTOR) (SWITCHED L2)



ELECTRONIC BACK-UP TIMER
CONNECTOR DIAGRAM
REJUVENATION WITH OMNILUX UNITS

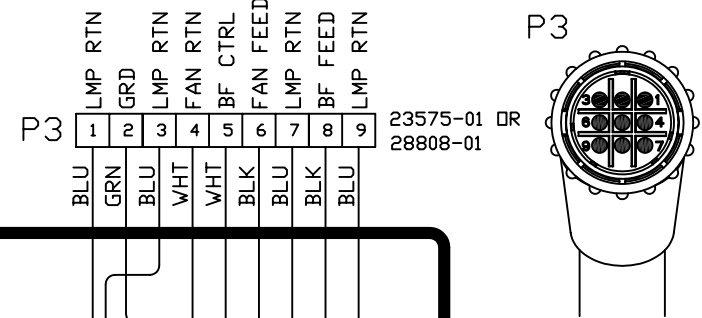


ELECTRONIC MAIN TIMER
CONNECTOR DIAGRAM
REJUVENATION WITH OMNILUX UNITS

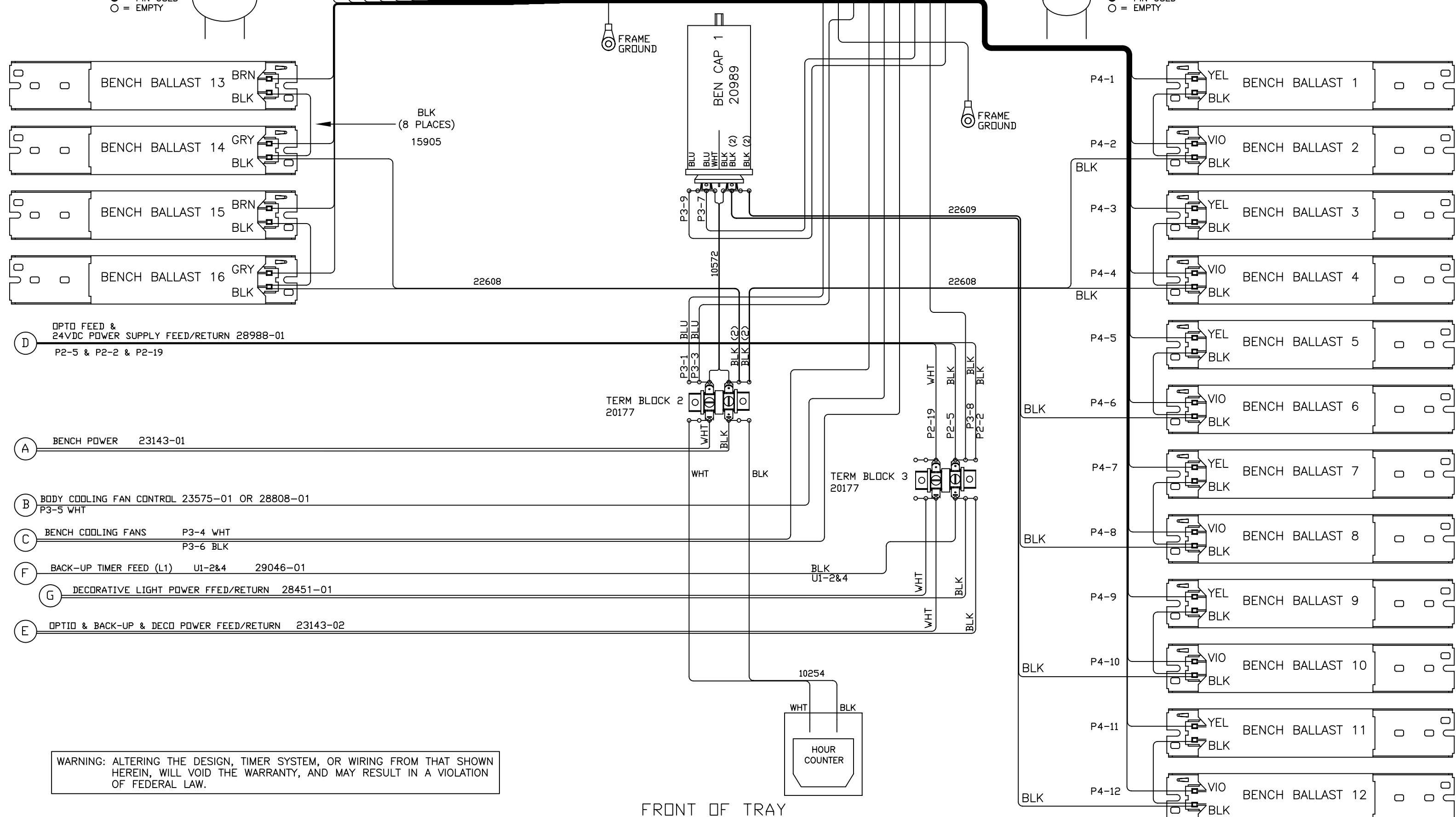


P4	1	2	3	4	5	6	7	8	9	10	11	12	13	14	15	16	17	18	19
	YEL	VID	YEL	VID	YEL	VID	YEL	VID	YEL	VID	YEL	VID	BRN	GRY	BRN	GRY			GRN

23573-01 OR
28809-01



P3	1	2	3	4	5	6	7	8	9
	LMP	GRD	LMP	FAN	BF	FAN	LMP	BF	LMP
	RTN		RTN	RTN	CTRL	FEED	RTN	FEED	RTN
	BLU	GRN	BLU	WHT	WHT	BLK	BLU	BLK	BLU



(D) OPTO FEED & 24VDC POWER SUPPLY FEED/RETURN 28988-01
P2-5 & P2-2 & P2-19

(A) BENCH POWER 23143-01

(B) BODY COOLING FAN CONTROL 23575-01 OR 28808-01
P3-5 WHT

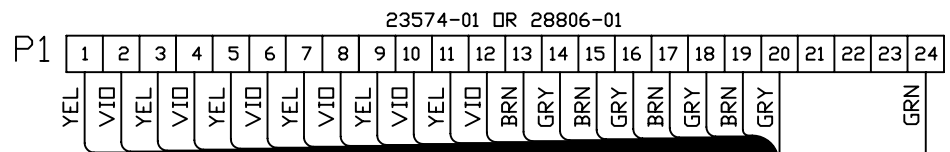
(C) BENCH COOLING FANS P3-4 WHT
P3-6 BLK

(F) BACK-UP TIMER FEED (L1) U1-2&4 29046-01

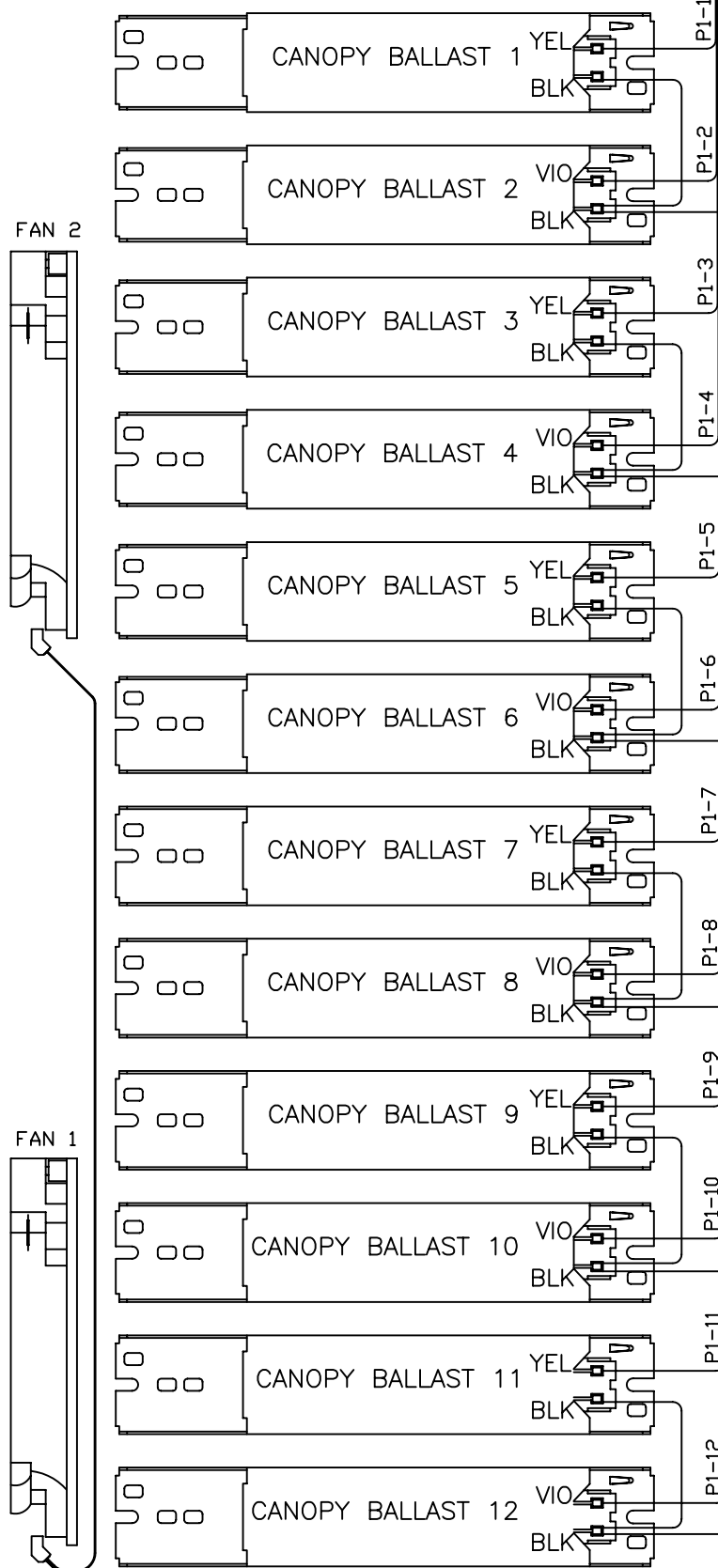
(G) DECORATIVE LIGHT POWER FEED/RETURN 28451-01

(E) OPTIO & BACK-UP & DECO POWER FEED/RETURN 23143-02

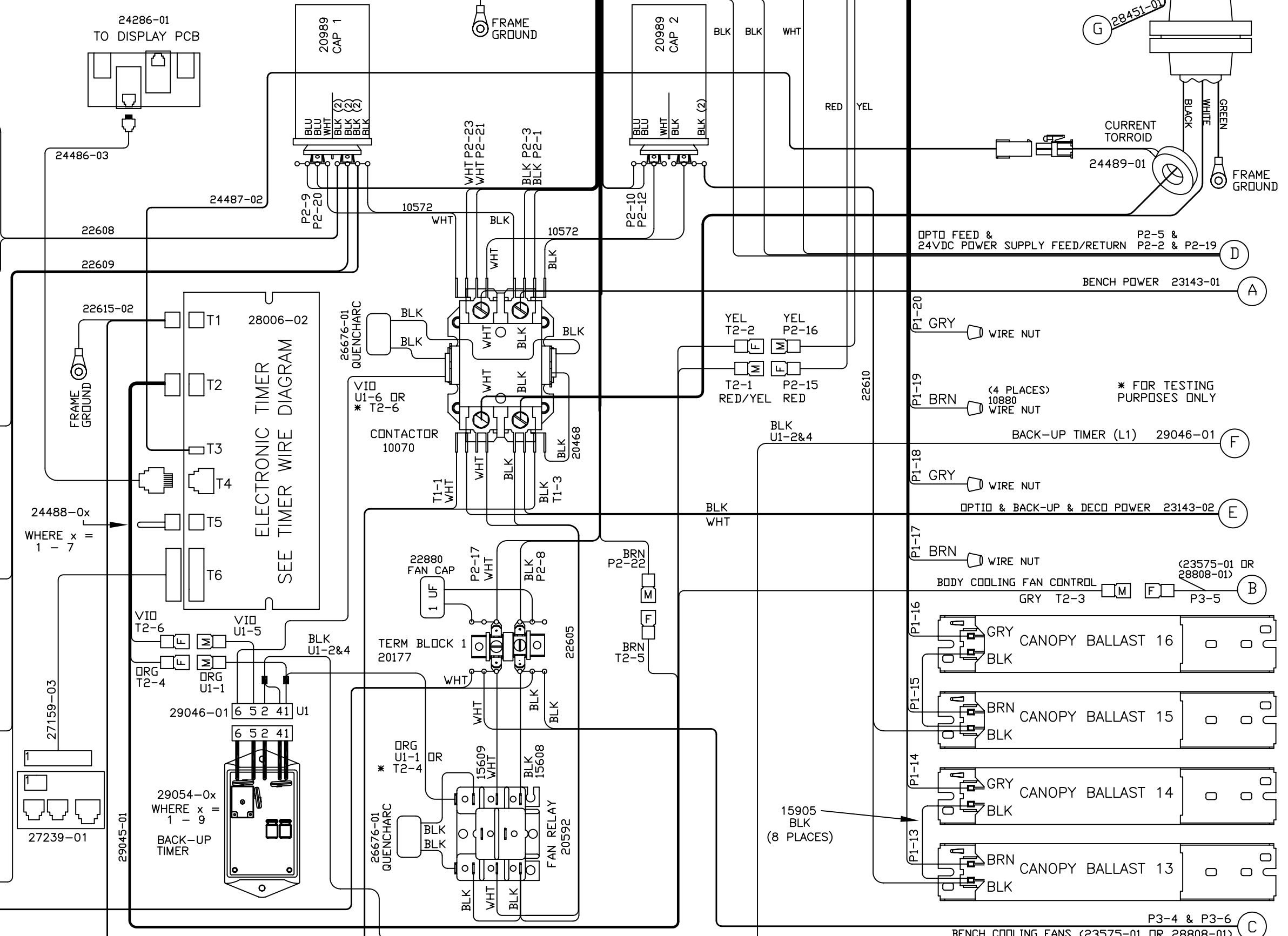
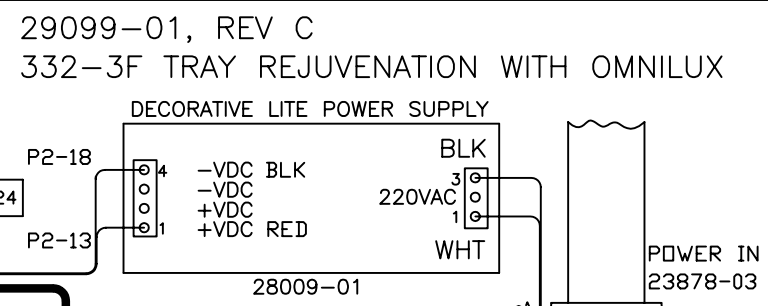
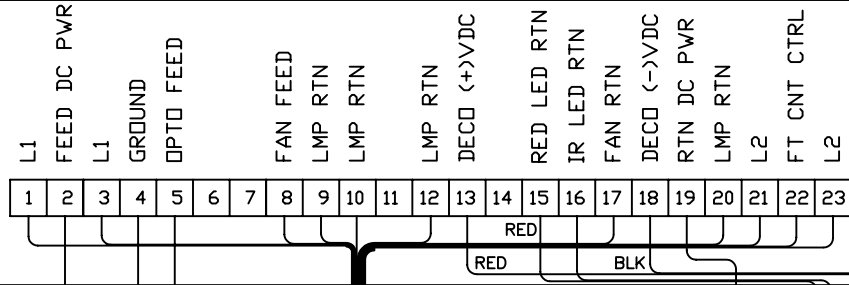
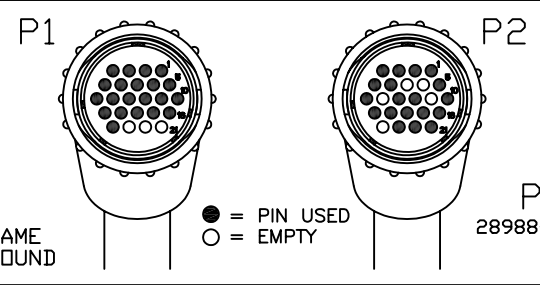
WARNING: ALTERING THE DESIGN, TIMER SYSTEM, OR WIRING FROM THAT SHOWN HEREIN, WILL VOID THE WARRANTY, AND MAY RESULT IN A VIOLATION OF FEDERAL LAW.



29099-01, REV C
332-3F TRAY REJUVENATION WITH OMNILUX



24103-04



P3-4 & P3-6
BENCH COOLING FANS (23575-01 OR 28808-01)