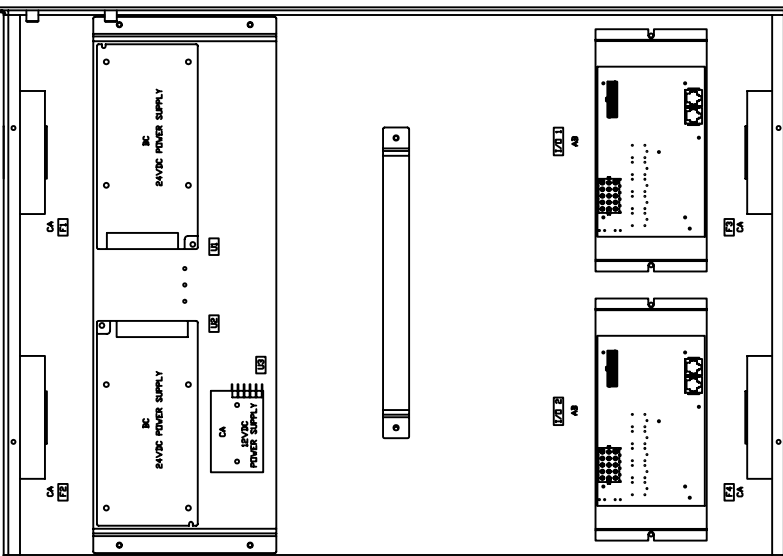


REAR TRAY

FOOT END

FRONT TRAY

CENTER TRAY

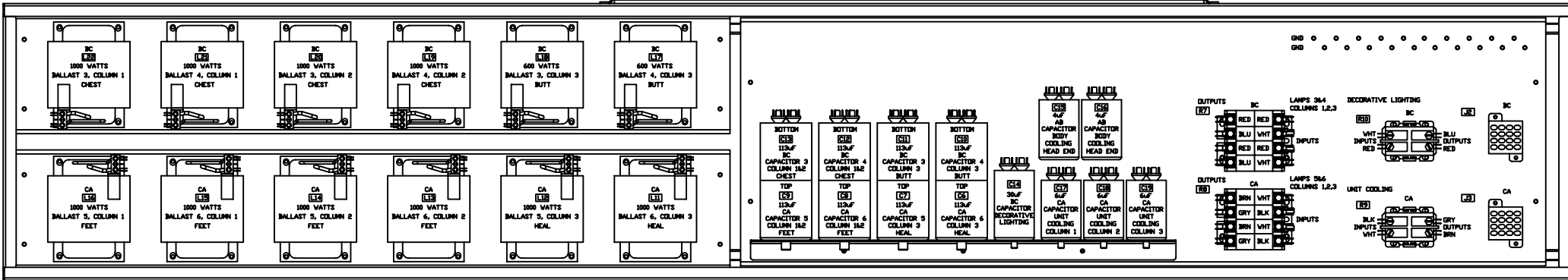


CENTER TRAY

REAR TRAY

FRONT TRAY

HEAD END






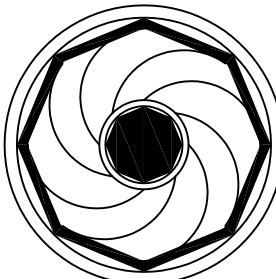
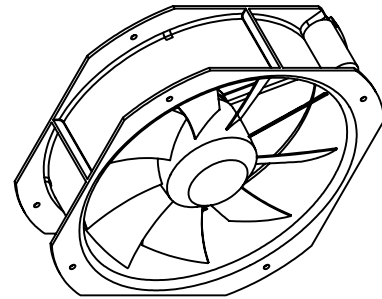
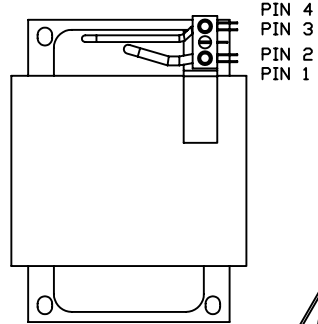
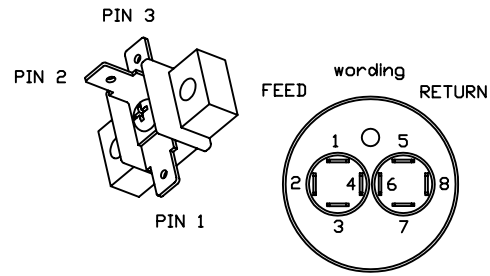
AC COLOR SCHEME

FEED/RETURN AB		FEED/RETURN CA		FEED/RETURN BC	
INPUT	BLACK/RED	INPUT	WHITE/BLACK	INPUT	RED/WHITE
OUTPUT	BLACK/WHITE	OUTPUT	BROWN/GRAY	OUTPUT	RED/BLUE

DC COLOR SCHEME

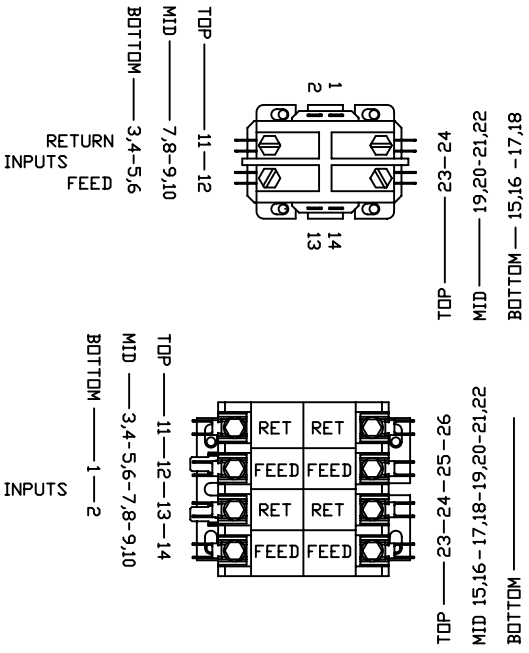
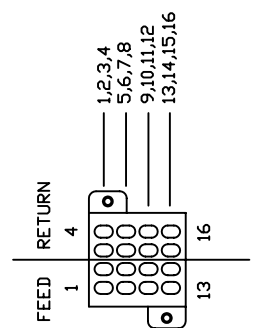
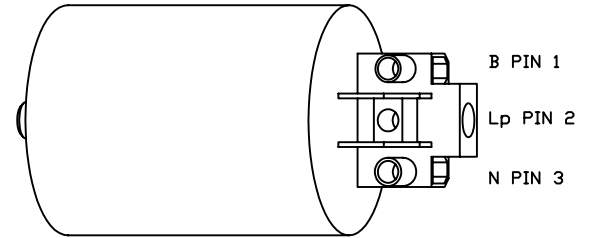
+5VDC	ORANGE, WHITE, RED	-5VDC	YELLOW, GREEN, BLACK		VIOLET
-------	--------------------	-------	----------------------	---	--------

CURRENT DONUTS  
BLACK/BLUE



- PIN 1 BLUE (L2-VAC)
- PIN 2 BLACK W/WHITE (CAP/L1-VAC)
- PIN 3 BROWN W/WHITE (CAP)
- PIN 4 GREEN/YELLOW GROUND

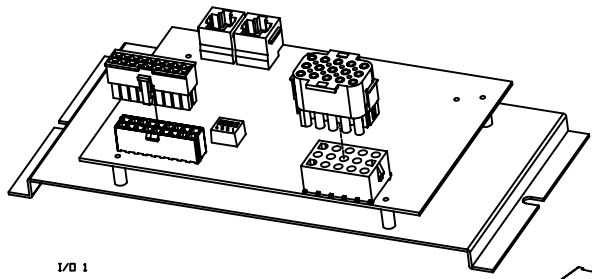
- PIN 1 BLUE (L2-VAC) MALE
- PIN 2 BLACK (CAP/L1-VAC) FEMALE
- PIN 3 BROWN (CAP) FEMALE
- PIN 4 GREEN/YELLOW #8 RING



RETURN  
OUTPUTS  
FEED

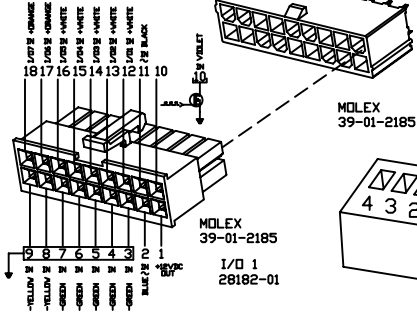
OUTPUTS

# I/O-1 BOARD



## I/O 1 PIN FUNCTION

- +12VDC OUT
- CURRENT DONUT 2-
- GND FOR I/O1, COL 1 SS TEMP
- GND FOR I/O2, COL 2 SS TEMP
- GND FOR I/O3, COL 3 SS TEMP
- GND FOR I/O4, COL 3 SS TEMP
- GND FOR I/O5, FRONT TRAY SS TEMP
- GND FOR I/O6, HEAD END FILTER SWITCH
- GND FOR I/O7, INPUT VOLTAGE SENSE
- PWM GND
- CURRENT DONUT 1-
- +5 FOR I/O1, COL 1 SS TEMP
- +5 FOR I/O2, COL 2 SS TEMP
- +5 FOR I/O3, COL 3 SS TEMP
- +5 FOR I/O4, COL 3 SS TEMP
- +5 FOR I/O5, FRONT TRAY SS TEMP
- +5 FOR I/O6, HEAD END FILTER SWITCH
- +5 FOR I/O7, INPUT VOLTAGE SENSE



## I/O 1 PIN FUNCTION

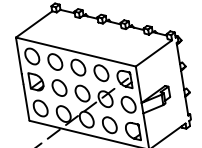
- RELAY 1 OUTPUT FOR RELAY 1 COIL FOR ALL FACE/HEAD LAMPS AND SHOULDER TANNERS
- RELAY 1 COMMON FOR RELAY 1 COIL FOR ALL FACE/HEAD LAMPS AND SHOULDER TANNERS
- VARIABLE AC OUT FEED TO F10 FOOT END BODY COOLING FAN
- RELAY 2 OUTPUT FOR RELAY 2 COIL FOR ADDING IN 600W MORE WATTS FOR COL 2 FACE TANNER
- RELAY 2 COMMON FOR RELAY 2 COIL FOR ADDING IN 600W MORE WATTS FOR COL 2 FACE TANNER
- VARIABLE AC IN RETURN TO F10 FOOT END BODY COOLING FAN
- RELAY 3 OUTPUT FOR RELAY 3 COIL FOR TURNING ON/OFF COL 2 FACE TANNER
- RELAY 3 COMMON FOR RELAY 3 COIL FOR TURNING ON/OFF COL 2 FACE TANNER
- NO INTERNAL CONNECTION
- RELAY 4 OUTPUT FOR RELAY 4 COIL FOR ADDING IN 600W MORE WATTS FOR COL 1 FACE TANNER
- RELAY 4 COMMON FOR RELAY 4 COIL FOR ADDING IN 600W MORE WATTS FOR COL 1 FACE TANNER
- LINE 2 IN AC RETURN POWER FOR I/O-1 BOARD
- RELAY 5 OUTPUT FOR RELAY 5 COIL FOR TURNING ON/OFF COL 1 FACE TANNER
- RELAY 5 COMMON FOR RELAY 5 COIL FOR TURNING ON/OFF COL 1 FACE TANNER
- LINE 1 IN AC FEED POWER FOR I/O-1 BOARD

ALL DIP SWITCHES SHOULD BE SET TO OFF FOR I/O-1 BOARD

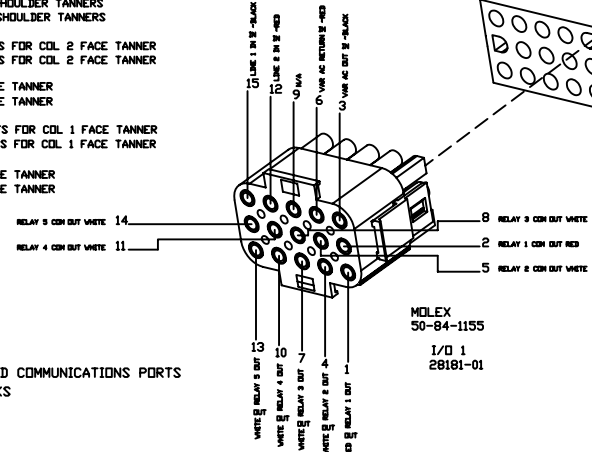
DIP SWITCHES

INTER BOARD COMMUNICATIONS PORTS  
RJ-45 JACKS  
RS-485

## I/O 1 BOARD

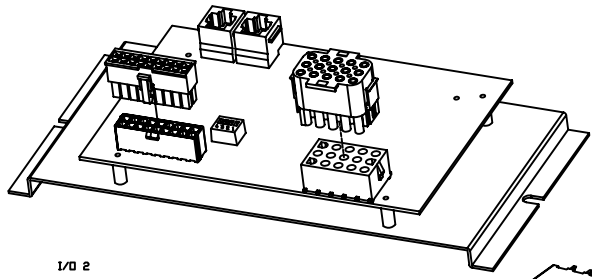


MOLEX  
10-84-4152



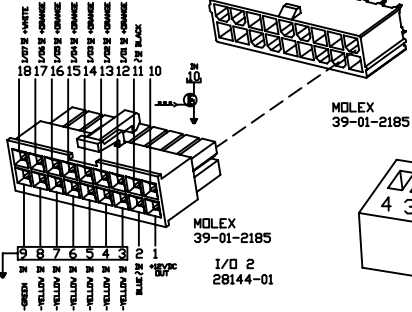
MOLEX  
50-84-1155  
I/O 1  
28181-01

# I/O-2 BOARD



## I/O 2 PIN FUNCTION

- +12VDC OUT
- CURRENT DONUT 4-
- GND FOR I/O1, COL 1 GLASS SENSORS
- GND FOR I/O2, COL 2 GLASS SENSORS
- GND FOR I/O3, COL 3 GLASS SENSORS
- GND FOR I/O4, COL 1 AIR SWITCH
- GND FOR I/O5, COL 2 AIR SWITCH
- GND FOR I/O6, COL 3 AIR SWITCH
- GND FOR I/O7, TIME RESISTOR
- PWM GND
- CURRENT DONUT 3-
- +5 FOR I/O1, COL 1 GLASS SENSORS
- +5 FOR I/O2, COL 2 GLASS SENSORS
- +5 FOR I/O3, COL 3 GLASS SENSORS
- +5 FOR I/O4, COL 1 AIR SWITCH
- +5 FOR I/O5, COL 2 AIR SWITCH
- +5 FOR I/O6, COL 3 AIR SWITCH
- +5 FOR I/O7, TIME RESISTOR



## I/O 2 PIN FUNCTION

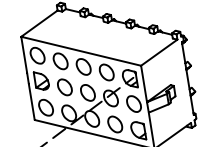
- RELAY 1 OUTPUT FOR RELAY 6 COIL FOR BOTH SHOULDER TANNERS
- RELAY 1 COMMON FOR RELAY 6 COIL FOR BOTH SHOULDER TANNERS
- VARIABLE AC OUT FEED TO F6 & F7 HEAD END BODY COOLING FANS
- RELAY 2 OUTPUT FOR RELAY 7 COIL FOR ALL CHEST AND BUTT LAMPS
- RELAY 2 COMMON FOR RELAY 7 COIL FOR ALL CHEST AND BUTT LAMPS
- VARIABLE AC IN RETURN TO F6 & F7 HEAD END BODY COOLING FANS
- RELAY 3 OUTPUT FOR RELAY 8 COIL FOR ALL FEET AND HEAL LAMPS
- RELAY 3 COMMON FOR RELAY 8 COIL FOR ALL FEET AND HEAL LAMPS
- NO INTERNAL CONNECTION
- RELAY 4 OUTPUT FOR RELAY 9 COIL FOR ALL UNIT COOLING FANS
- RELAY 4 COMMON FOR RELAY 9 COIL FOR ALL UNIT COOLING FANS
- LINE 2 IN AC RETURN POWER FOR I/O-2 BOARD
- RELAY 5 OUTPUT FOR RELAY 10 COIL FOR ALL COLUMN DECORATIVE LIGHTING
- RELAY 5 COMMON FOR RELAY 10 COIL FOR ALL COLUMN DECORATIVE LIGHTING
- LINE 1 IN AC FEED POWER FOR I/O-2 BOARD

ALL DIP SWITCHES SHOULD BE SET TO OFF EXCEPT FOR DIP SWITCH 1. IT SHOULD BE SET TO ON FOR I/O-2 BOARD

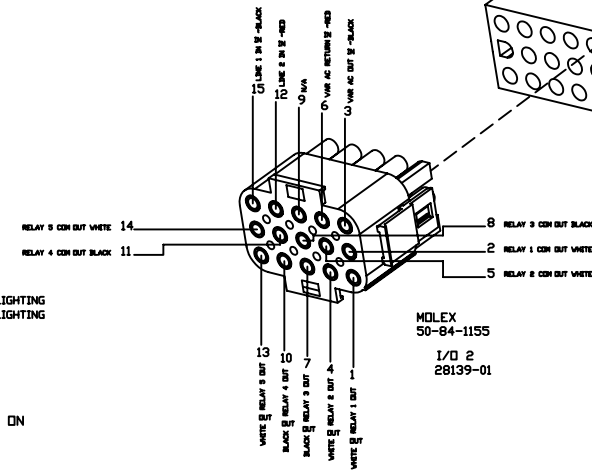
DIP SWITCHES

INTER BOARD COMMUNICATIONS PORTS  
RJ-45 JACKS  
RS-485

## I/O 2 BOARD



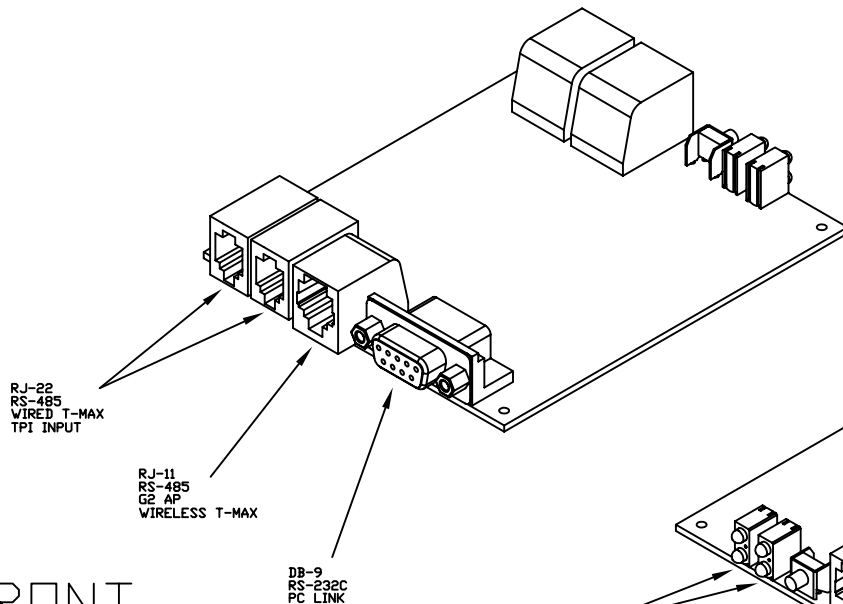
MOLEX  
10-84-4152



MOLEX  
50-84-1155  
I/O 2  
28139-01

# BCM BOARD

FRONT  
VIEW

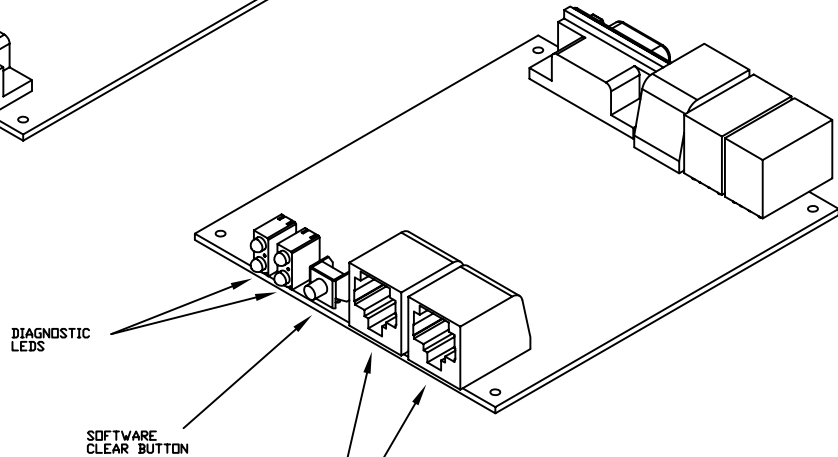


RJ-22  
RS-485  
WIRED T-MAX  
TPI INPUT

RJ-11  
RS-485  
G2 AP  
WIRELESS T-MAX

DB-9  
RS-232C  
PC LINK

BACK  
VIEW



DIAGNOSTIC  
LEDS

SOFTWARE  
CLEAR BUTTON

RJ-45 JACKS  
RS-485  
TWO INTER BOARD COMMUNICATIONS PORTS  
\*NEWER MODELS HAVE ONLY ONE PORT

INPUTS

3-PHASE FEED+RETURN PART NUMBER

WHITE | RED | BLACK |  
 C | B | A  
 L3 | L2 | L1

R1=J1A-2+J1B-3 28215-01

R7=J1B-4+J1C-3 28221-01

R8=J1C-2+J1A-1 28221-01

R9=J1C-5+J1A-8 28217-01

R10=J1B-12+J1C-10 28217-01 \*

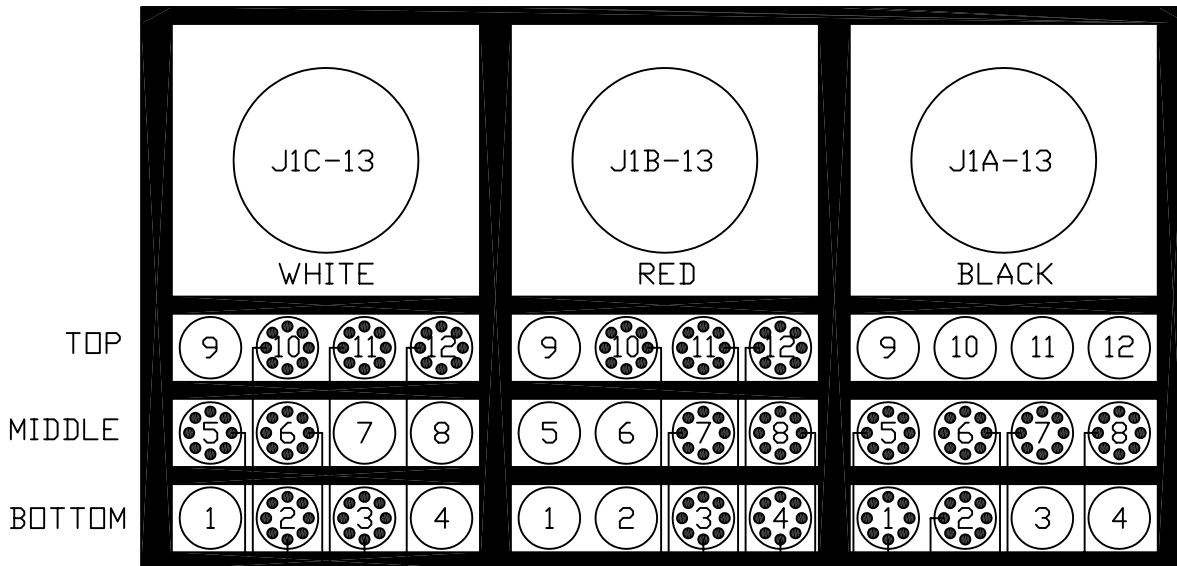
U1=J1B-10+J1C-12 28218-01

U2=J1B-11+J1C-11 28218-01

U3=J1C-6+J1A-7 28218-01

I/O1=J1A-5+J1B-7 28226-01

I/O2=J1A-6+J1B-8 28227-01



L3 WIRES WHITE  
 L2 WIRES RED  
 L1 WIRES BLACK

OUTPUTS

\* FOR SINGLE PHASE CONVERSION  
 1-PHASE FEED/RETURN  
 MOVE = TO

J1C-10,11,12 = J1A-10,11,12

J1C-5,6 = J1B-5,6

J1C-2 = J1B-2

J1C-3 = J1A-3