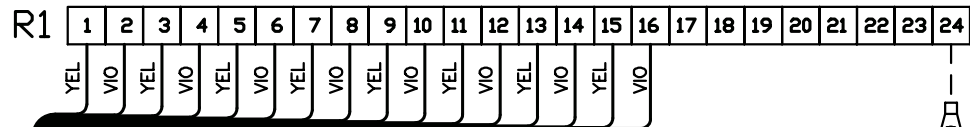
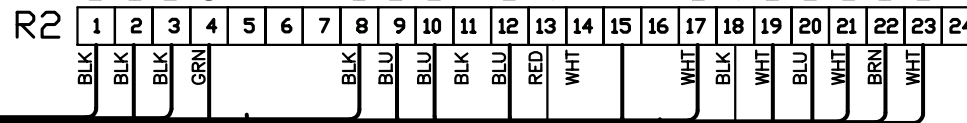


TO TIMER  
24286-01

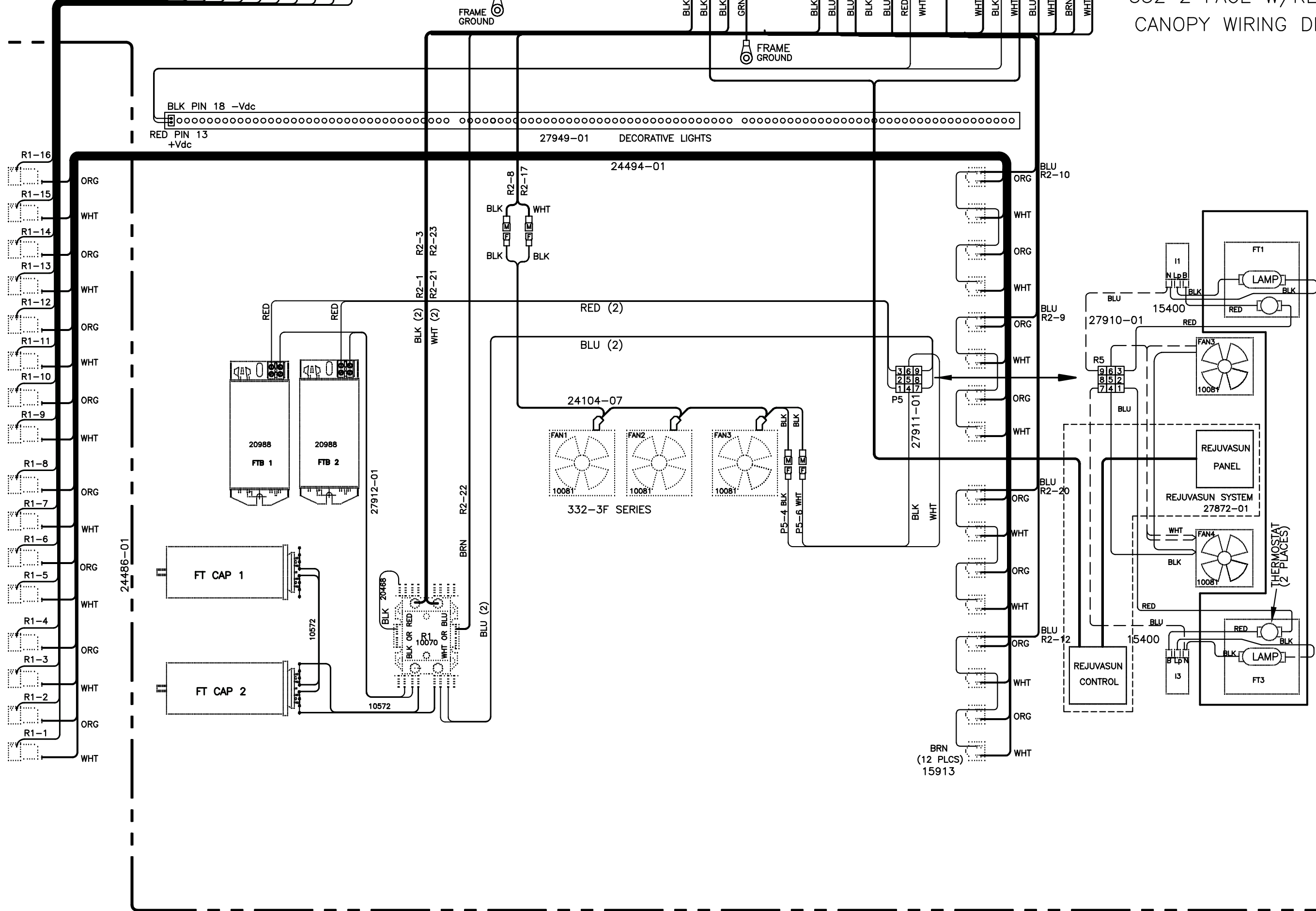
24498-01



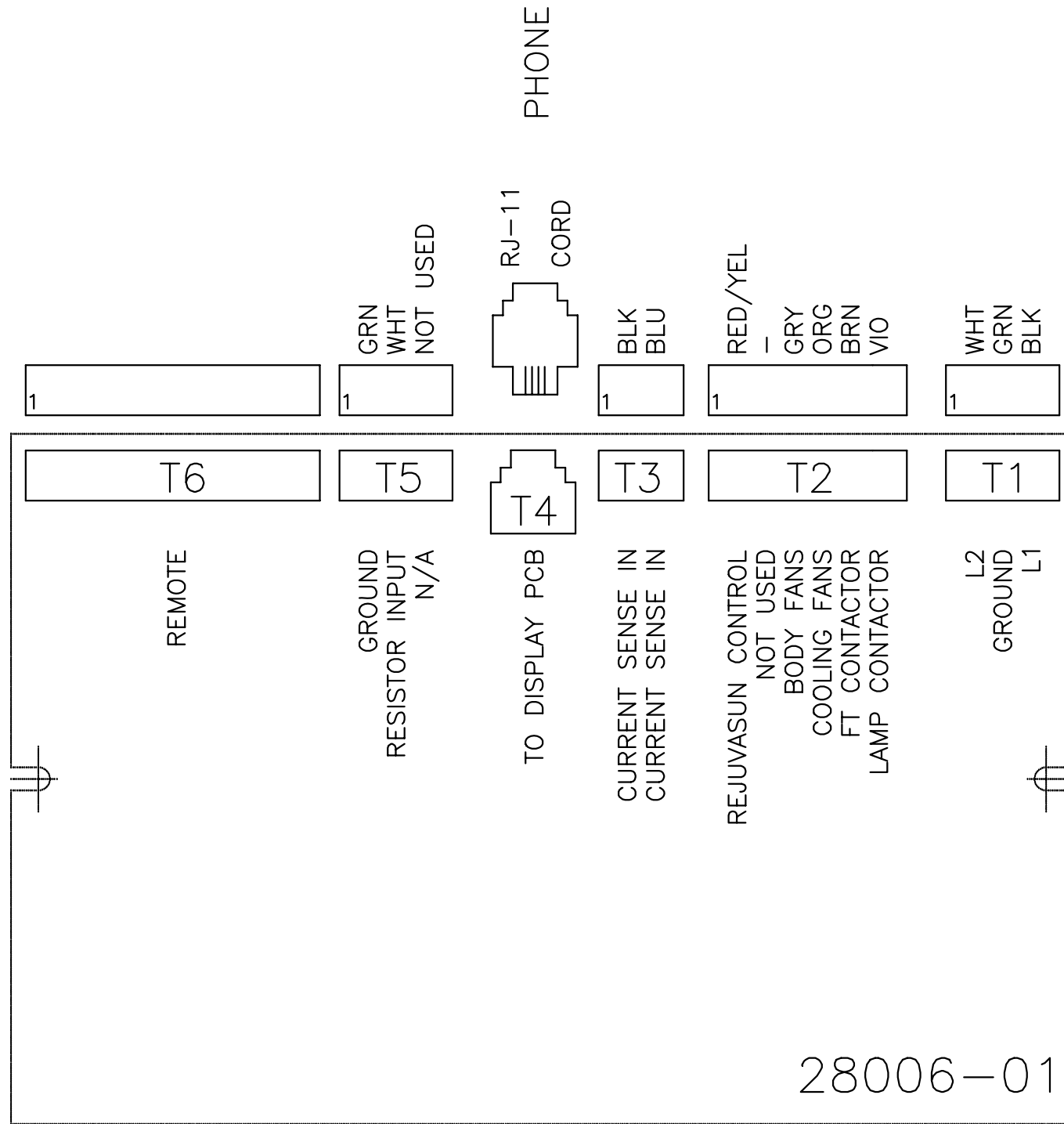
27909-01



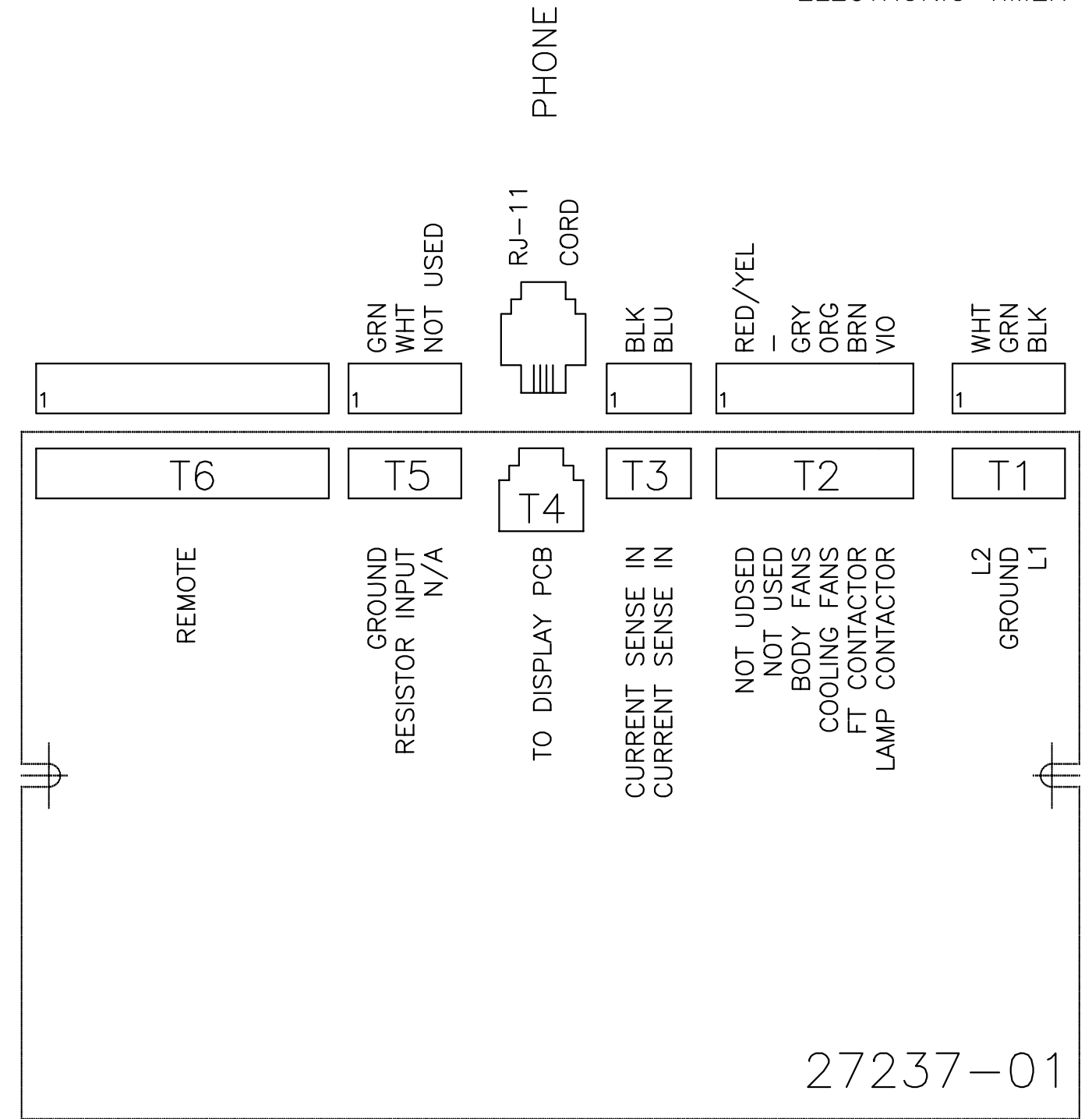
28348-01, REV A  
332 2 FACE W/REJUVASUN  
CANOPY WIRING DIAGRAM



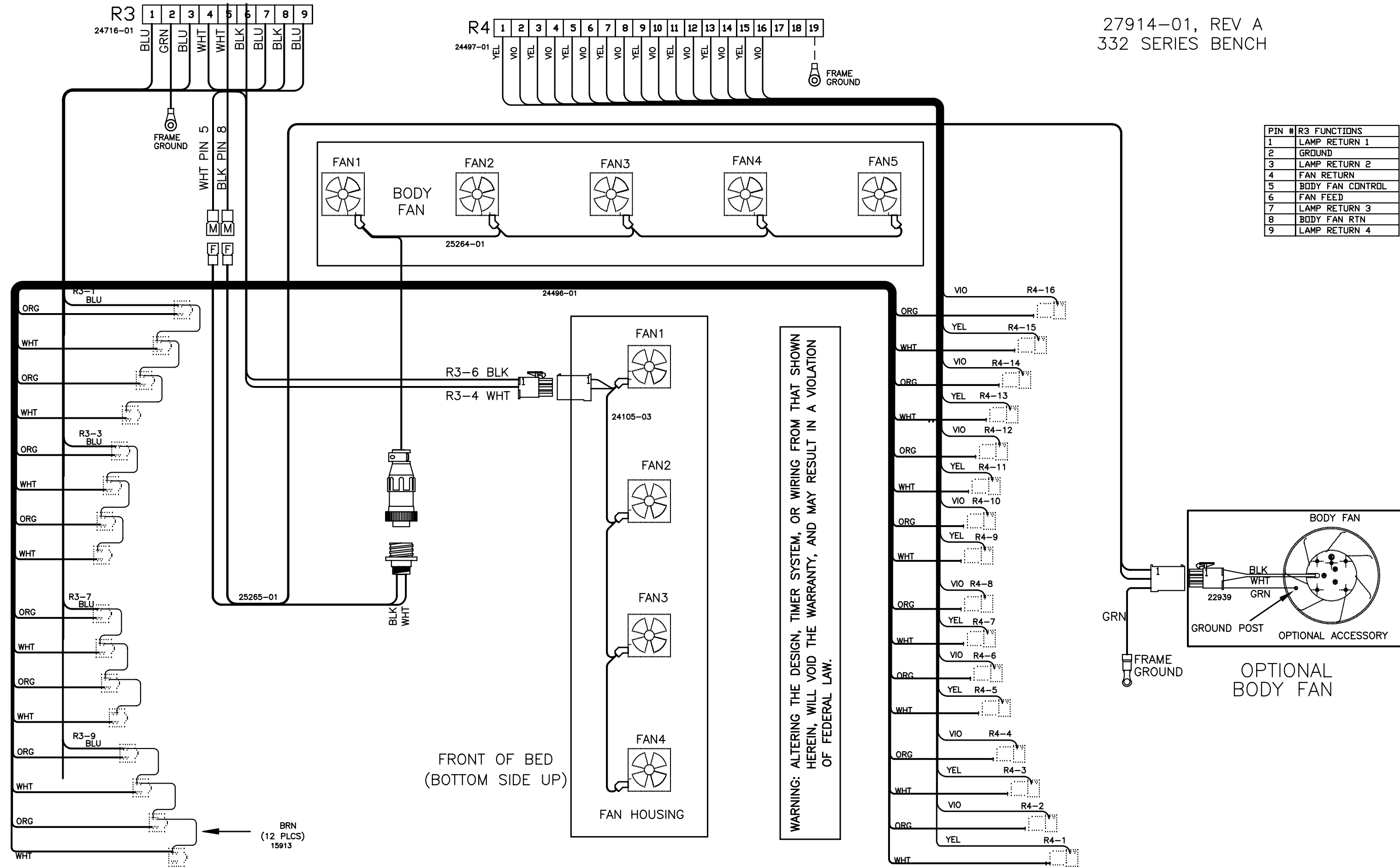
KEYPAD/DISPLAY



ELECTRONIC TIMER  
CONNECTOR DIAGRAM  
REJUVASUN UNITS ONLY



ELECTRONIC TIMER  
CONNECTOR DIAGRAM

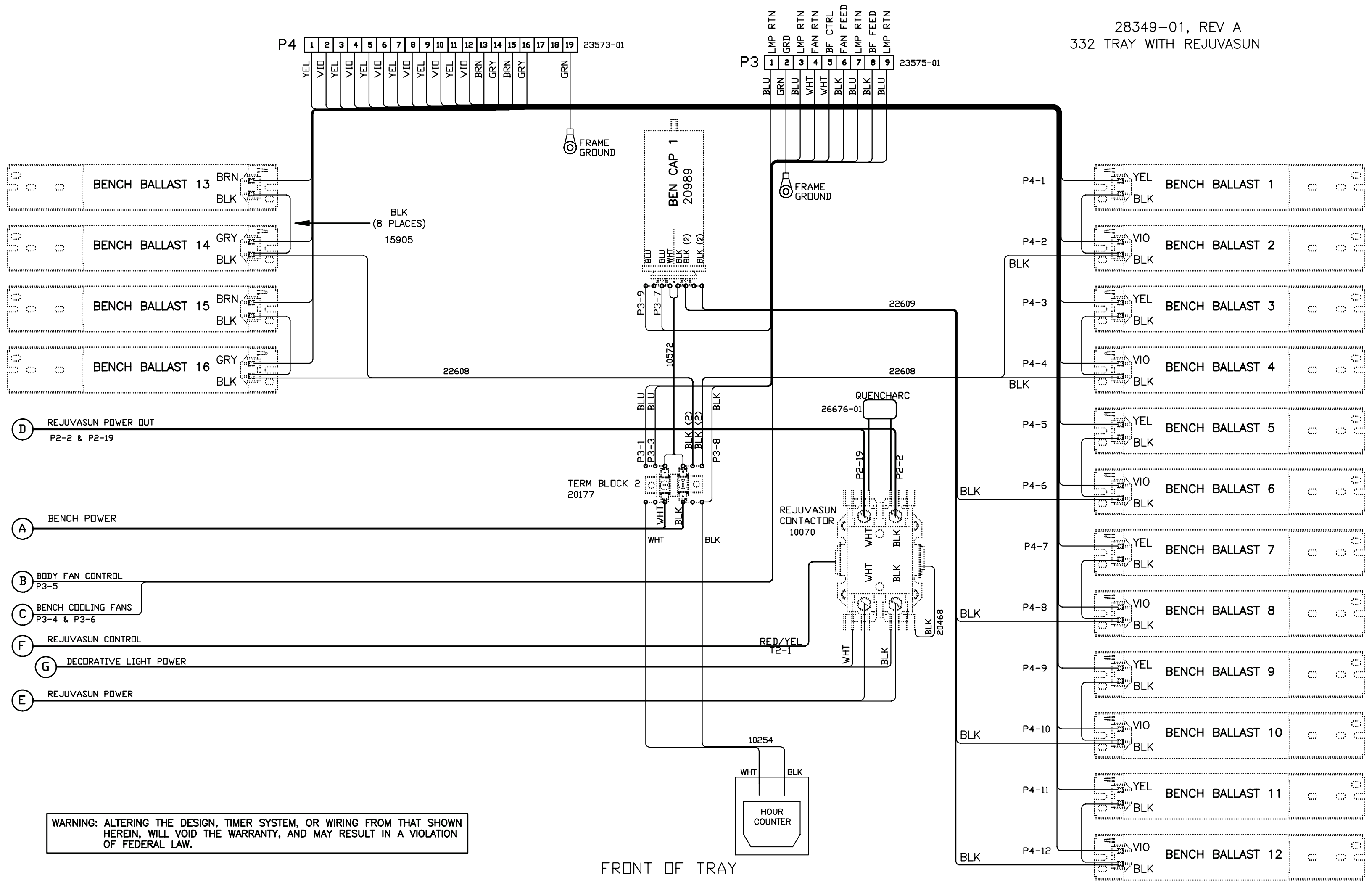


PIN #	R3 FUNCTIONS
1	LAMP RETURN 1
2	GROUND
3	LAMP RETURN 2
4	FAN RETURN
5	BODY FAN CONTROL
6	FAN FEED
7	LAMP RETURN 3
8	BODY FAN RTN
9	LAMP RETURN 4

FRONT OF BED  
(BOTTOM SIDE UP)

WARNING: ALTERING THE DESIGN, TIMER SYSTEM, OR WIRING FROM THAT SHOWN HEREIN, WILL VOID THE WARRANTY, AND MAY RESULT IN A VIOLATION OF FEDERAL LAW.

OPTIONAL  
BODY FAN



**WARNING: ALTERING THE DESIGN, TIMER SYSTEM, OR WIRING FROM THAT SHOWN HEREIN, WILL VOID THE WARRANTY, AND MAY RESULT IN A VIOLATION OF FEDERAL LAW.**

FRONT OF TRAY

