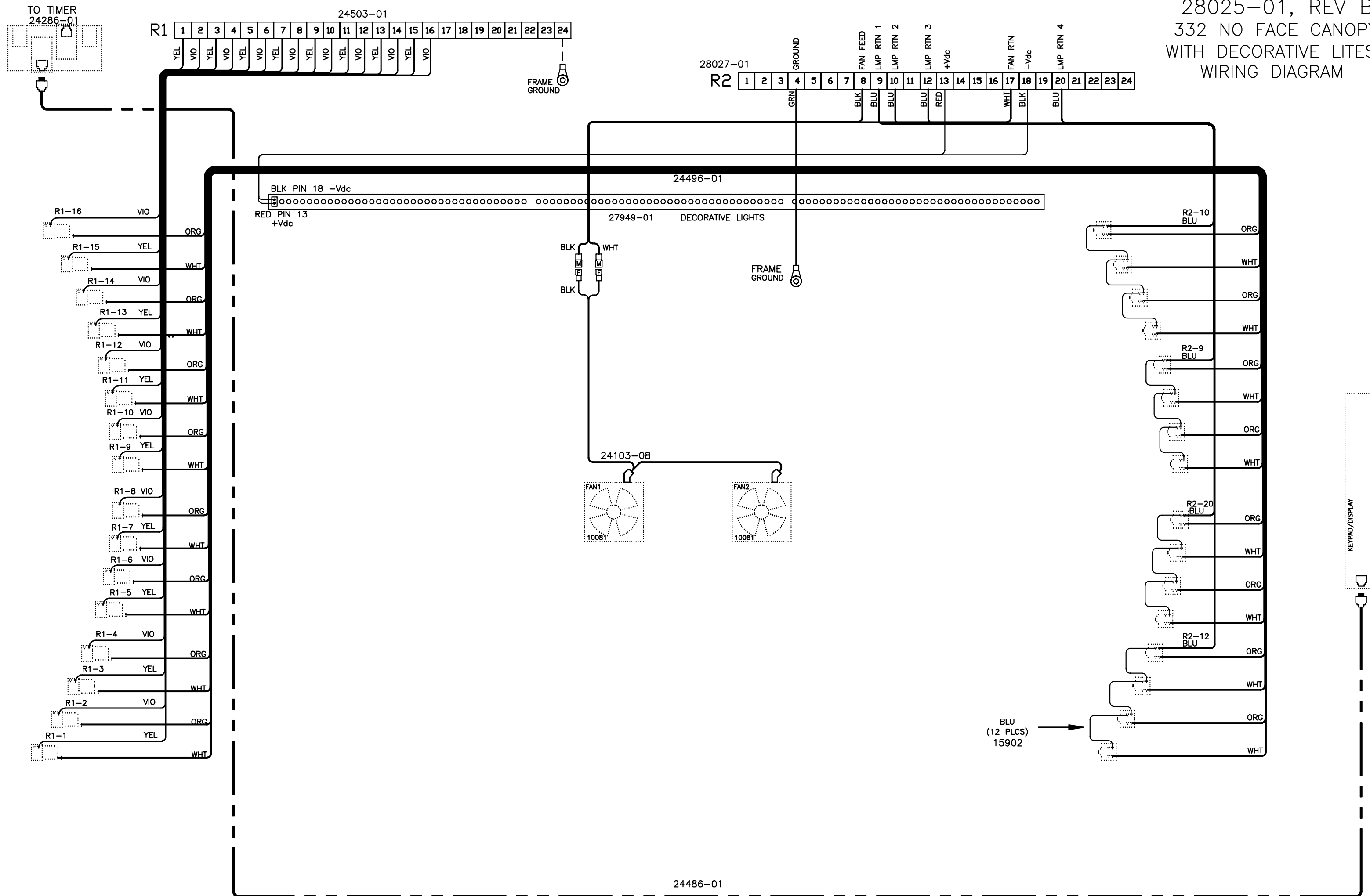
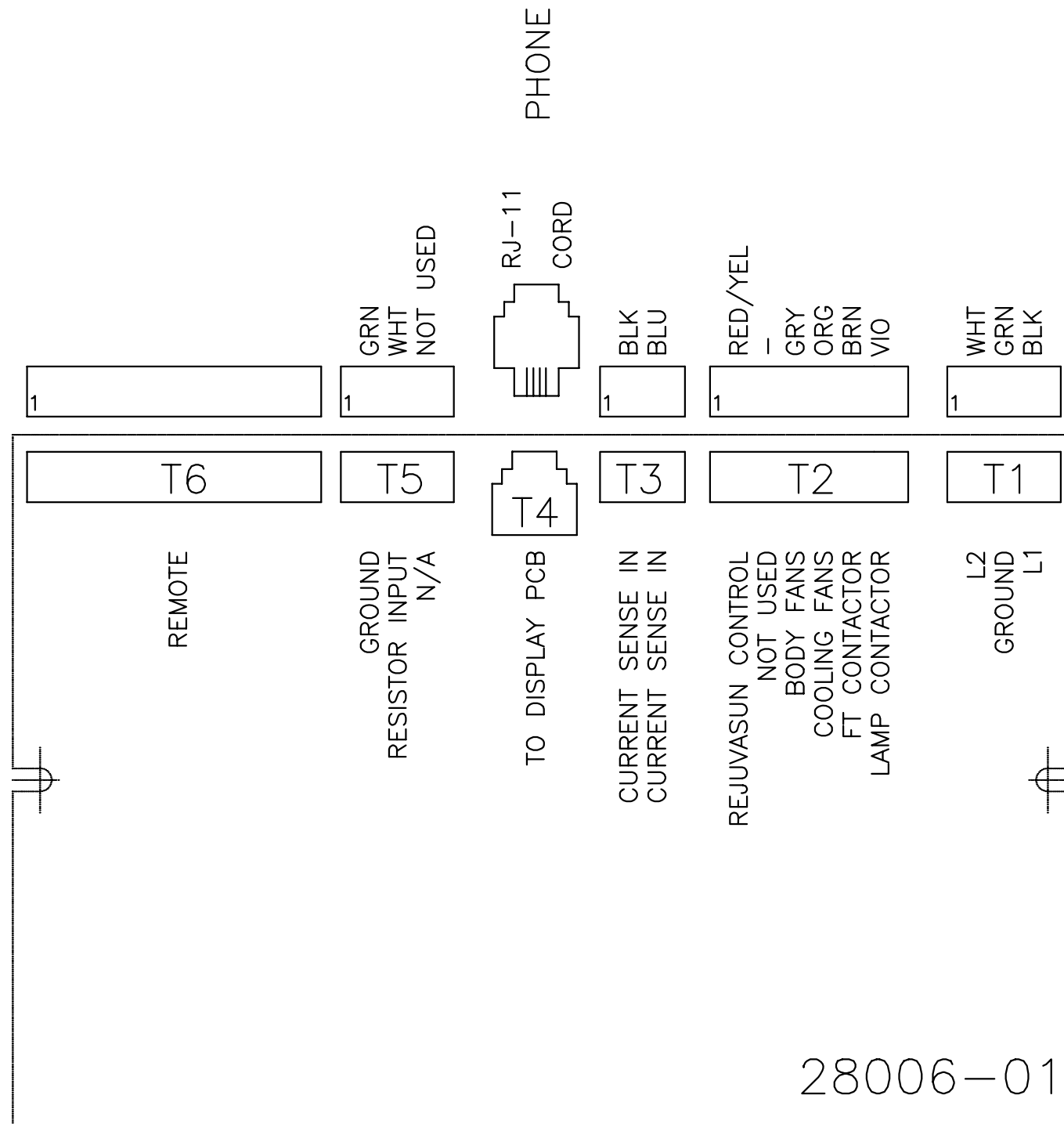
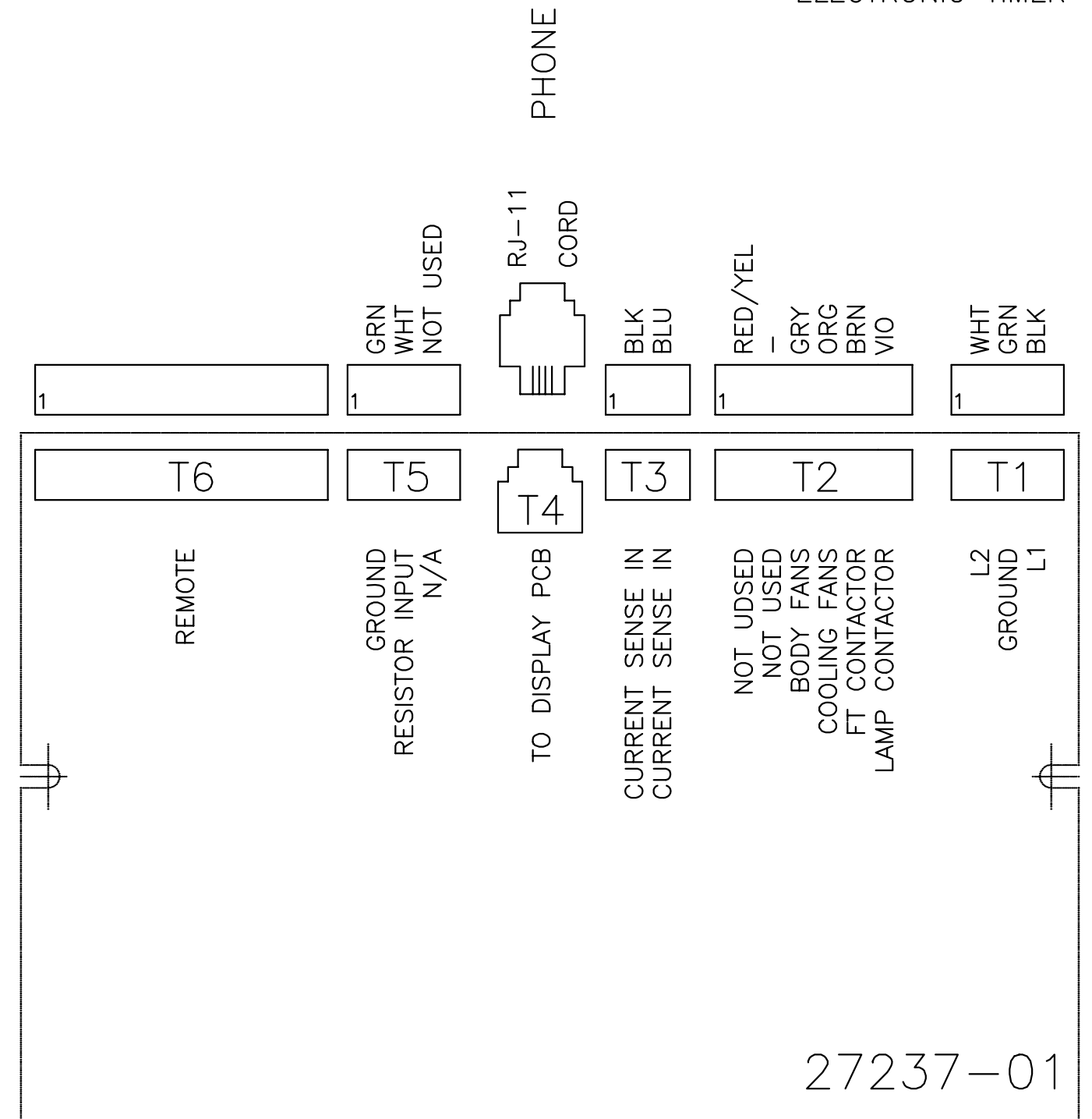


28025-01, REV B
 332 NO FACE CANOPY
 WITH DECORATIVE LITES
 WIRING DIAGRAM

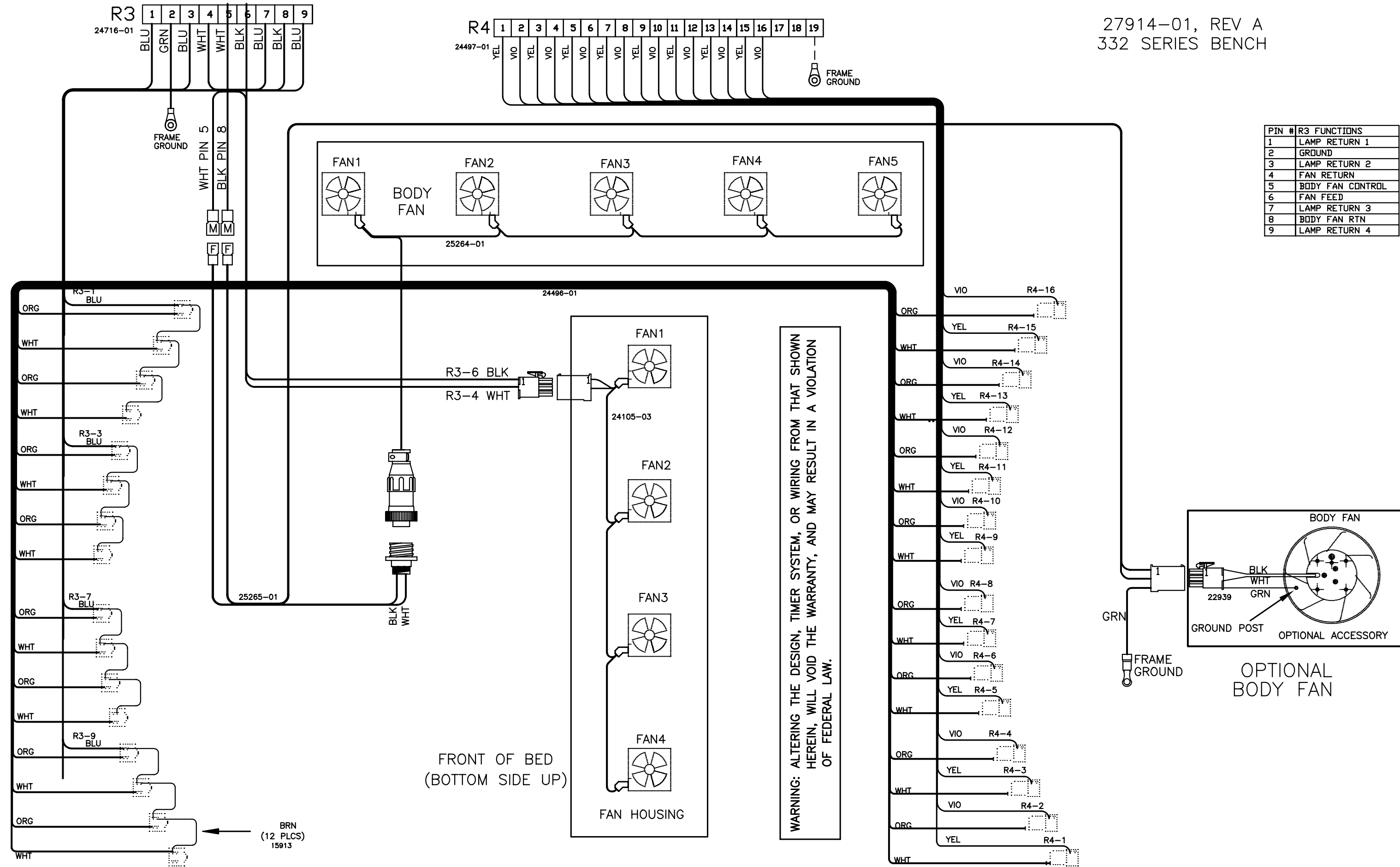




ELECTRONIC TIMER
CONNECTOR DIAGRAM
REJUVASUN UNITS ONLY



ELECTRONIC TIMER
CONNECTOR DIAGRAM

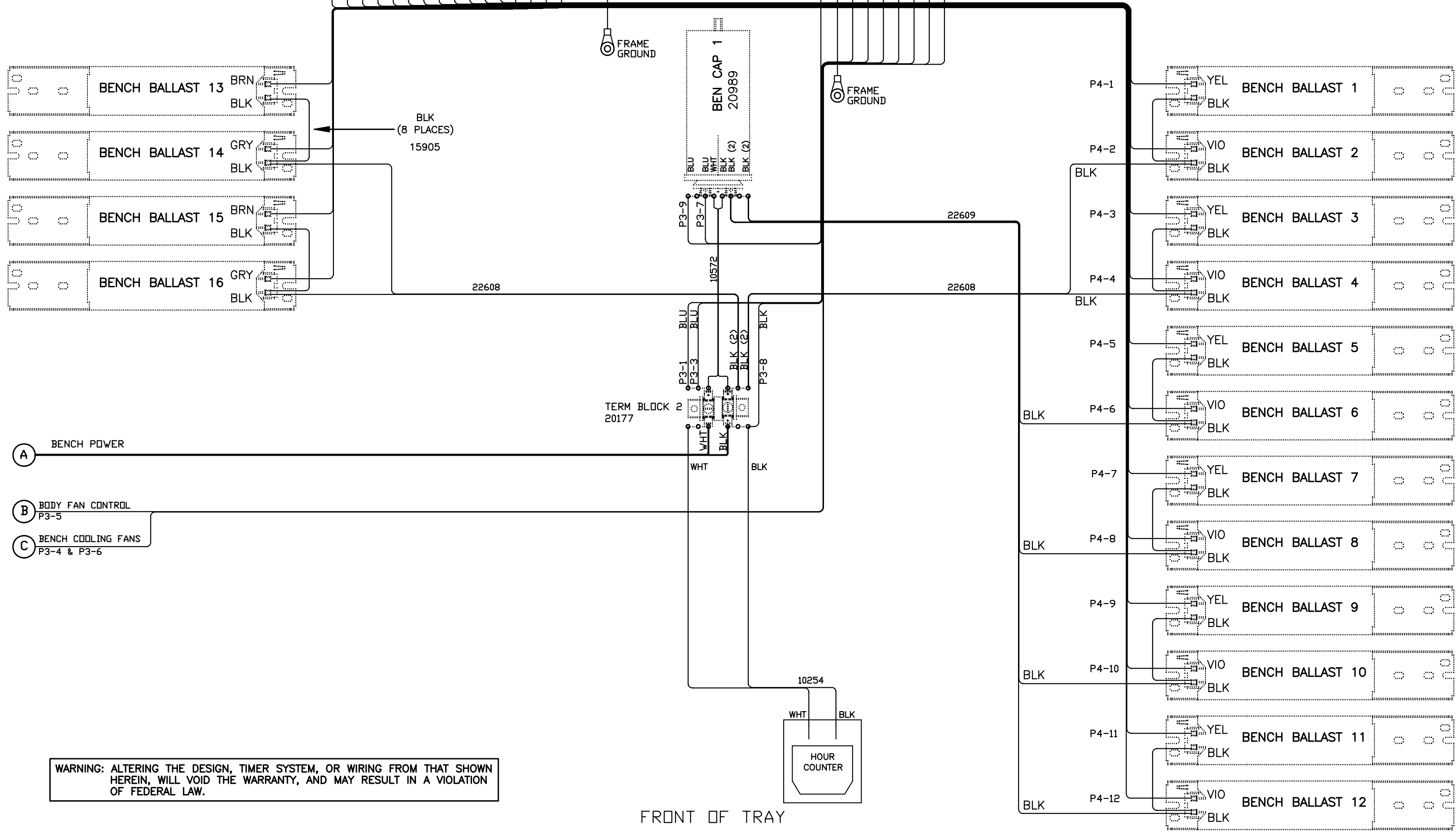
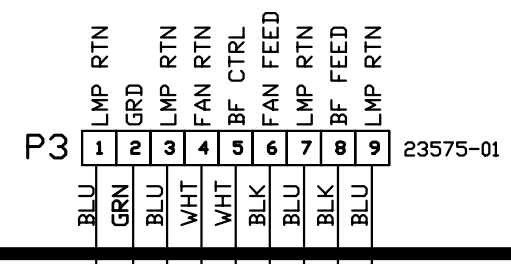
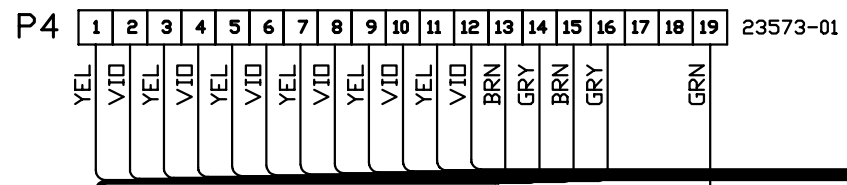


PIN #	R3 FUNCTIONS
1	LAMP RETURN 1
2	GROUND
3	LAMP RETURN 2
4	FAN RETURN
5	BODY FAN CONTROL
6	FAN FEED
7	LAMP RETURN 3
8	BODY FAN RTN
9	LAMP RETURN 4

WARNING: ALTERING THE DESIGN, TIMER SYSTEM, OR WIRING FROM THAT SHOWN HEREIN, WILL VOID THE WARRANTY, AND MAY RESULT IN A VIOLATION OF FEDERAL LAW.

FRONT OF BED
(BOTTOM SIDE UP)

OPTIONAL
BODY FAN



- (A)** BENCH POWER
- (B)** BODY FAN CONTROL
P3-5
- (C)** BENCH COOLING FANS
P3-4 & P3-6

WARNING: ALTERING THE DESIGN, TIMER SYSTEM, OR WIRING FROM THAT SHOWN HEREIN, WILL VOID THE WARRANTY, AND MAY RESULT IN A VIOLATION OF FEDERAL LAW.

FRONT OF TRAY

