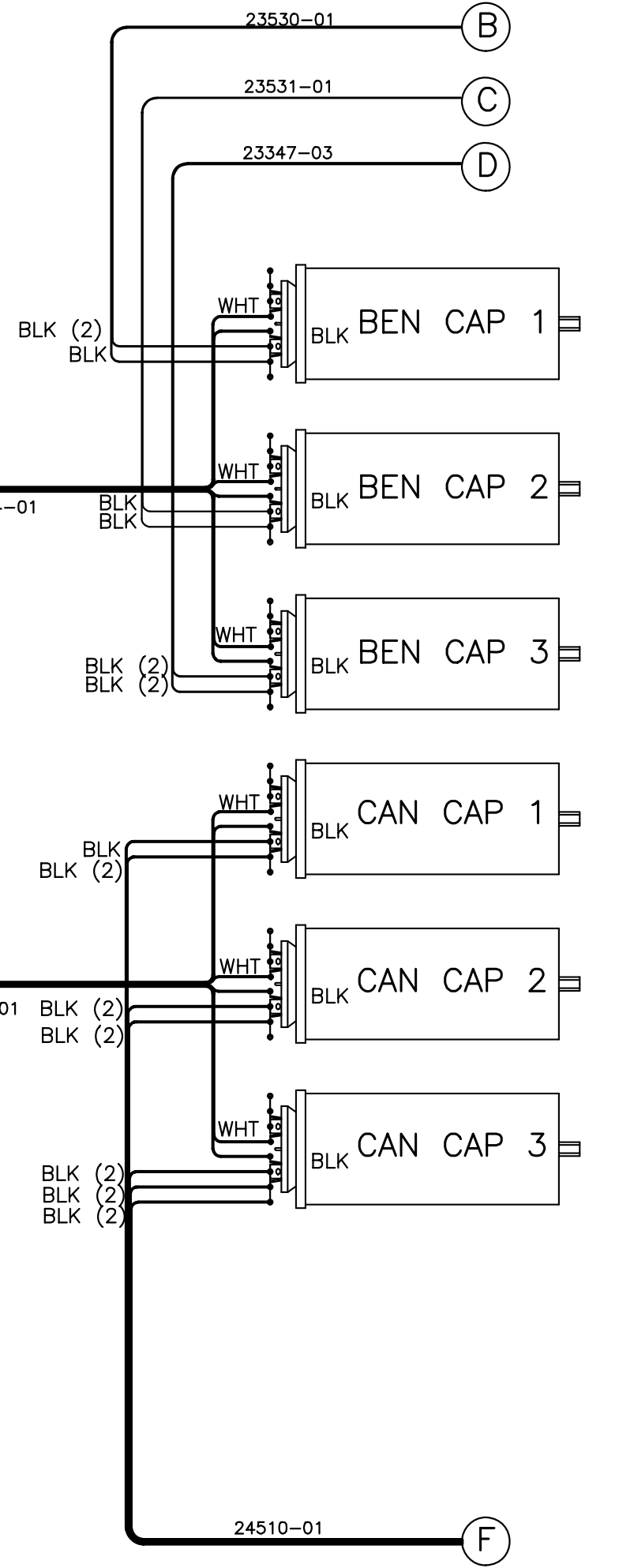
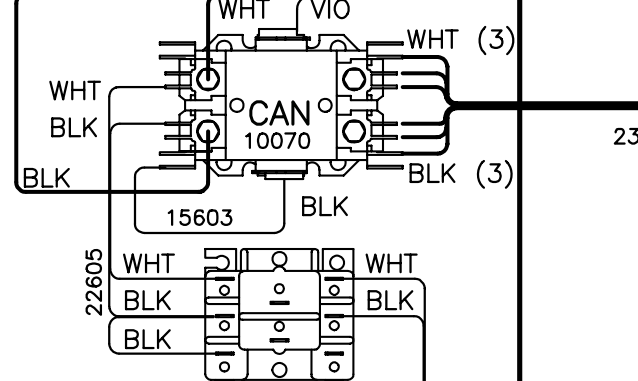
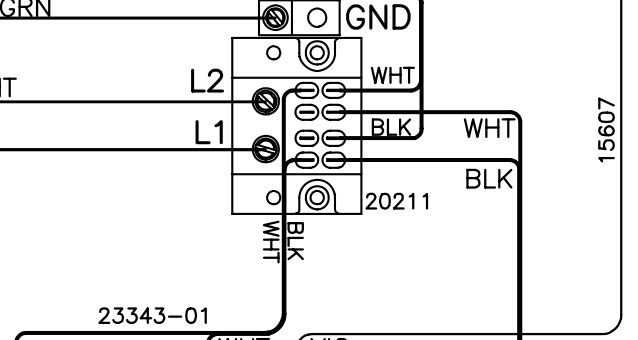
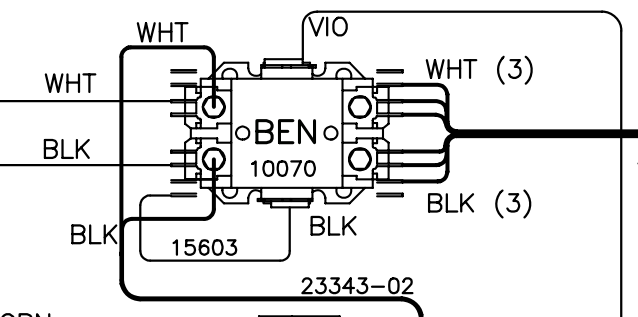
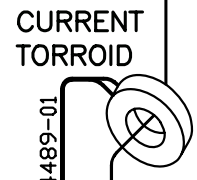
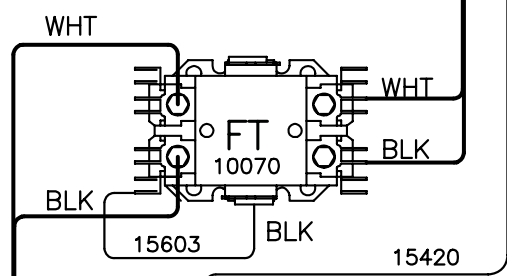
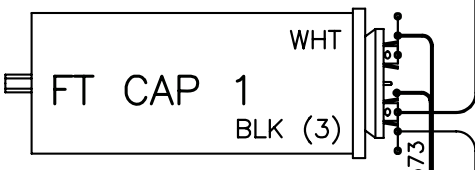
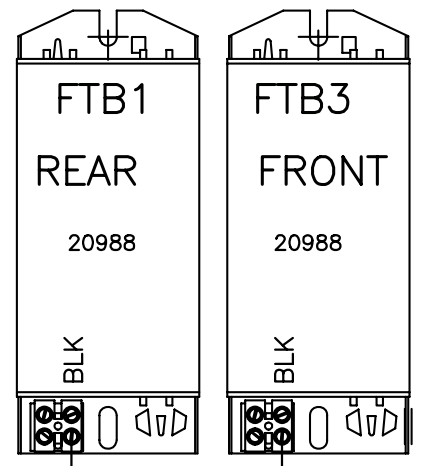
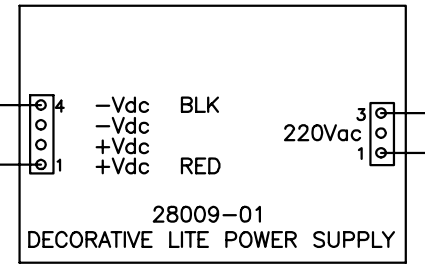
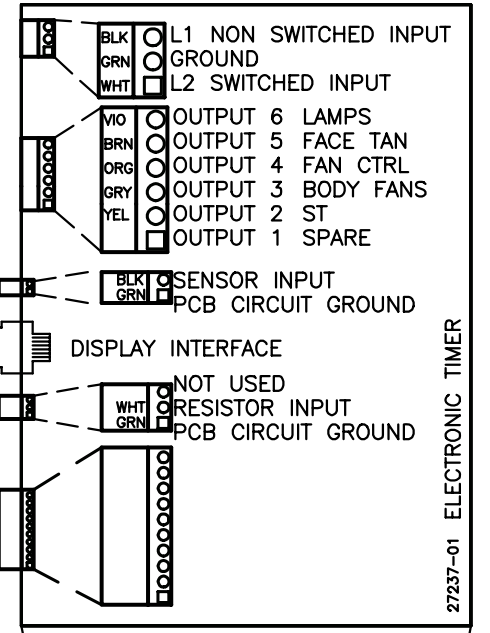


28002-01, REV A
UPPER LEVEL TRAY
442 & 542 SERIES '07

POWER IN
23878-05

(A)
TO OTHER UPPER
TRAY DRAWING



TO TIMER
24286-01

24486-03

24488-03

27159-02

27239-01

27237-01
ELECTRONIC TIMER

27237-01
ELECTRONIC TIMER

24487-01

24105-04

15607

20177 23343-03

24510-01

10081
(4 PLACES)

(B)

(C)

(D)

(F)

P2
28005-01

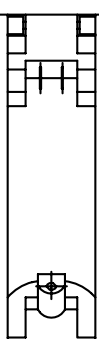
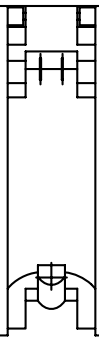
LAMP RTN 1	LAMP FD 24	FAN FD	LAMP RTN 2	FTB RTN 1	NOT USED	FTB RTN 2	SHROUD FAN FD	FTB RTN 3	LAMP RTN 3	LAMP FD 25	-Vdc	+Vdc	FAN RTN	LAMP RTN 4	FTB1	SHROUD FAN RTN	FTB2	NOT USED	FTB3	LAMP RTN 5	LAMP FD 26	LAMP RTN 6	GROUND
1	2	3	4	5	6	7	8	9	10	11	12	13	14	15	16	17	18	19	20	21	22	23	24

P4
23197-01

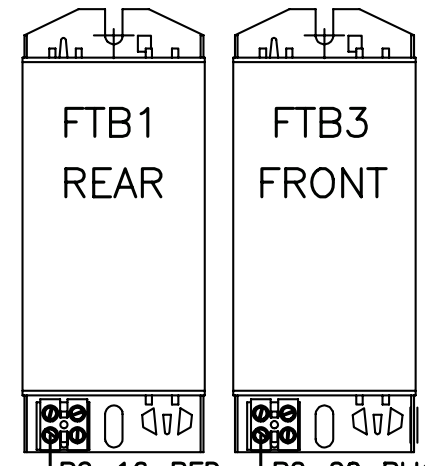
NOT USED	LAMP RTN 5	ST FEED 1	LAMP RTN 6	BODY FAN FEED	FAN FEED	BODY FAN RTN	ST RTN	KEY	NOT USED	NOT USED	NOT USED	LAMP RTN 7	HOUR CTR FEED	FAN RTN	HOUR CTR RTN	LAMP RTN 8	NOT USED	GROUND
1	2	3	4	5	6	7	8	9	10	11	12	13	14	15	16	17	18	19

TO BALLAST
24 - 26

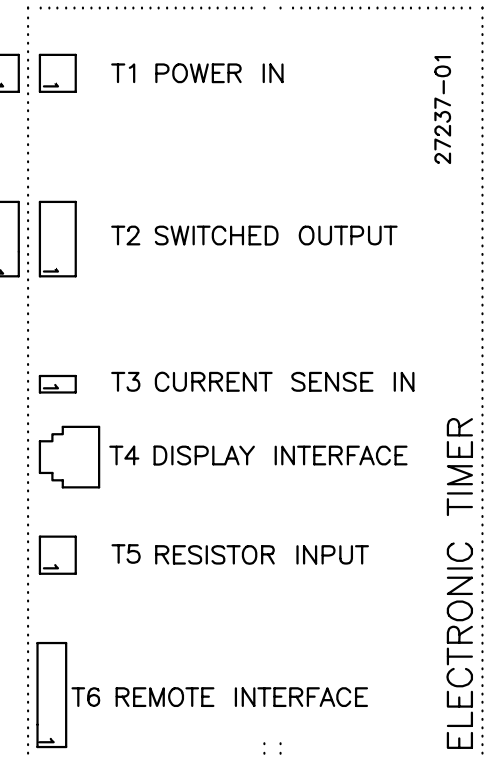
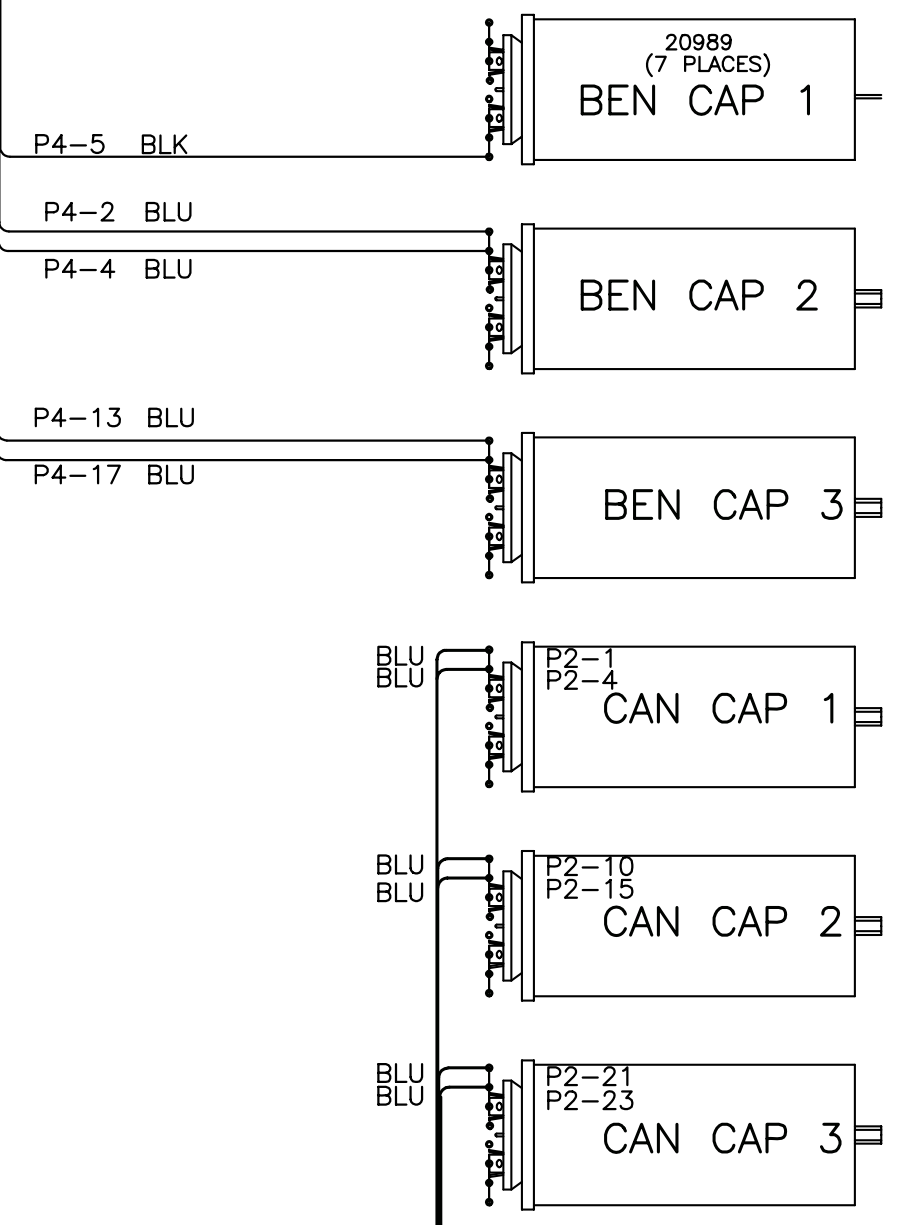
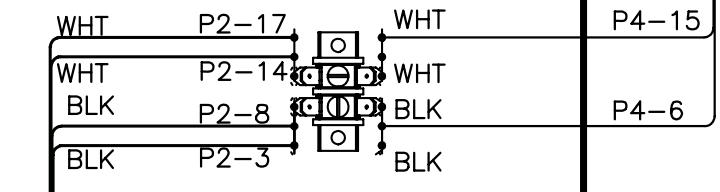
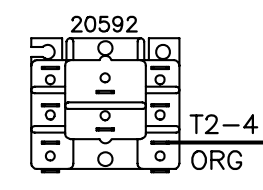
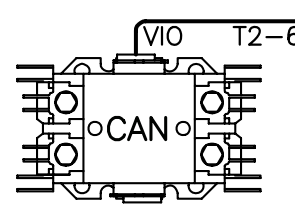
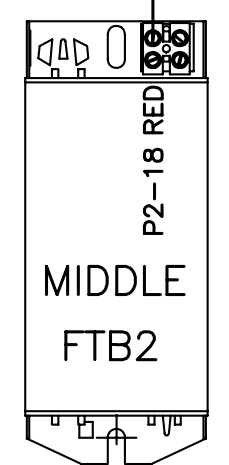
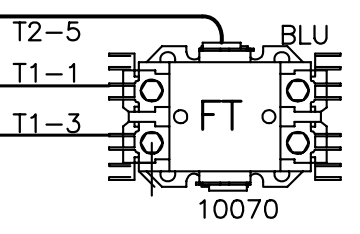
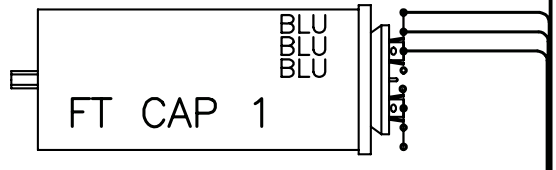
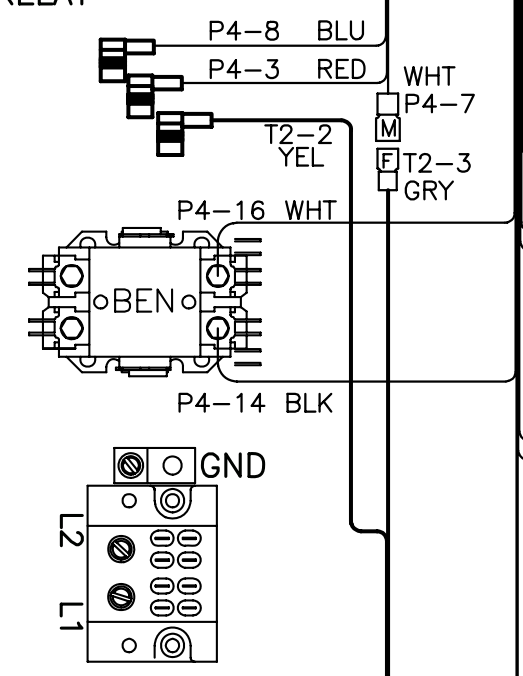
(A)



BLK
RED
(A)
TO OTHER UPPER
TRAY DRAWING



SHOULDER TANNER
(ST) RELAY

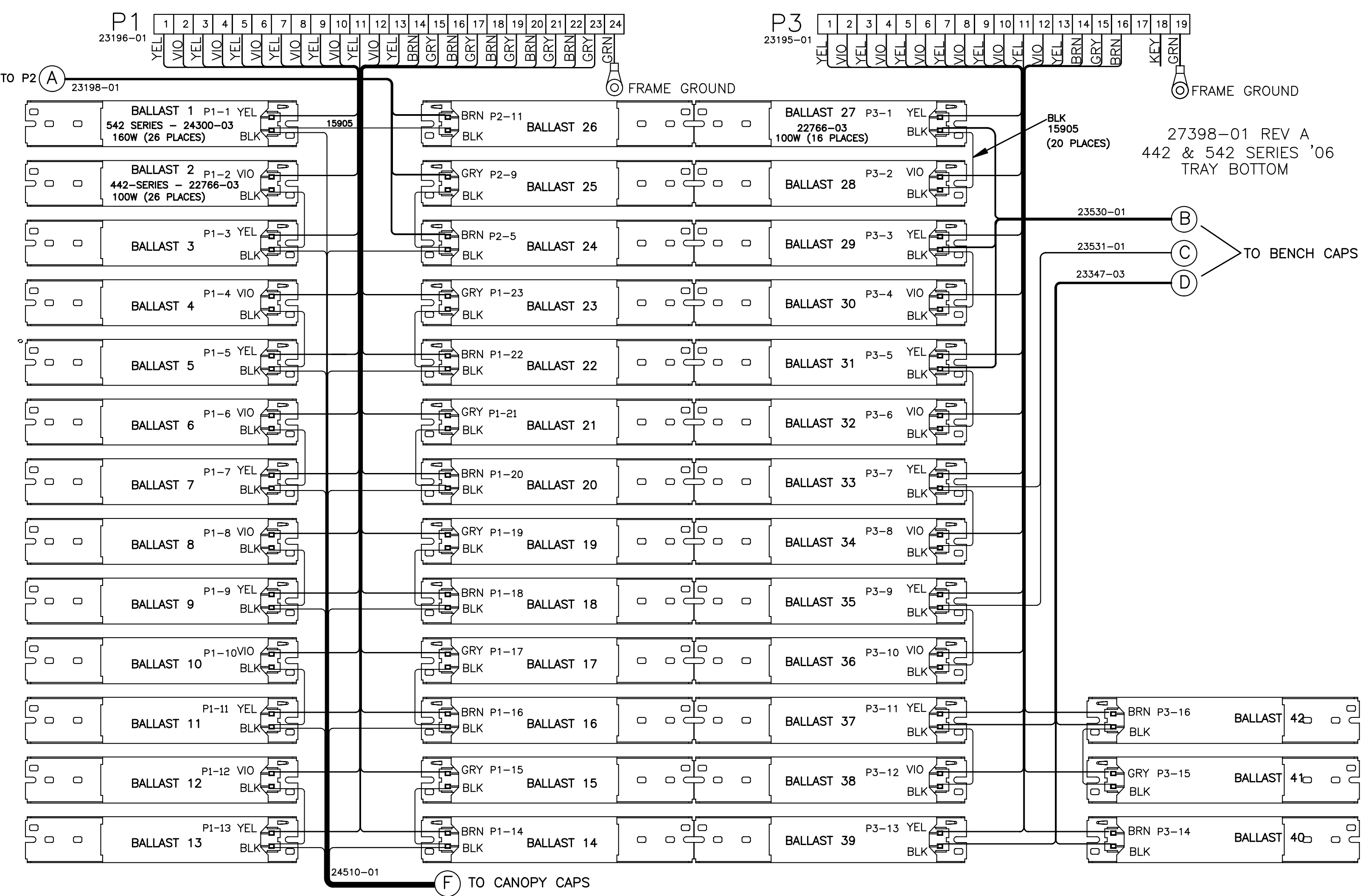


28002-01, REV A
UPPER LEVEL TRAY
442 & 542 SERIES '07

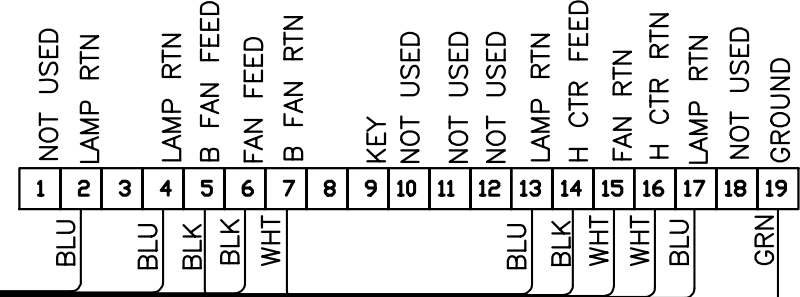
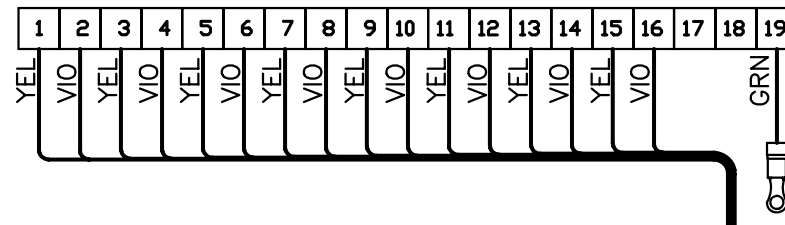
24873-01

23335-01

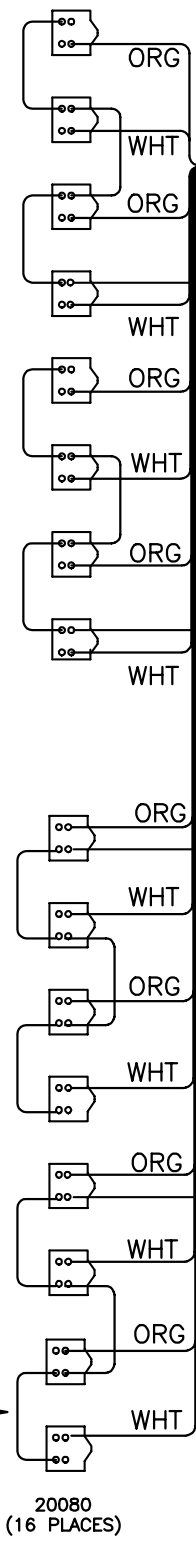
WARNING: ALTERING THE DESIGN, TIMER SYSTEM, OR WIRING FROM THAT SHOWN HEREIN, WILL VOID THE WARRANTY, AND MAY RESULT IN A VIOLATION OF FEDERAL LAW.



R3
23348-01

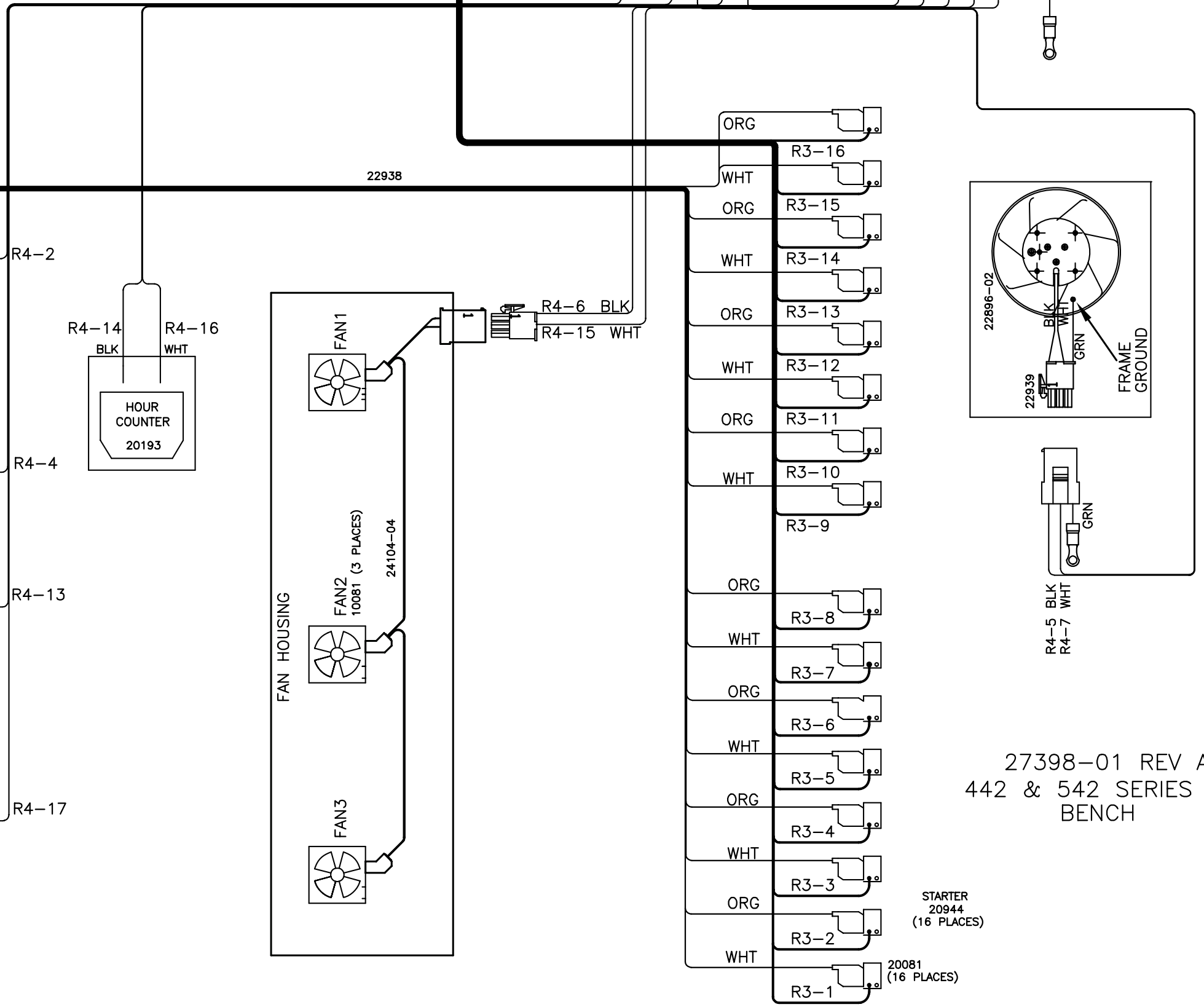


R4
24810-01



15913
BRN
12 PLACES

20080
(16 PLACES)



FRONT OF BED
(BOTTOM SIDE UP)

WARNING: ALTERING THE DESIGN, TIMER SYSTEM, OR WIRING FROM THAT SHOWN HEREIN, WILL VOID THE WARRANTY, AND MAY RESULT IN A VIOLATION OF FEDERAL LAW.

27398-01 REV A
442 & 542 SERIES '06
BENCH

STARTER
20944
(16 PLACES)

20081
(16 PLACES)

