

27945-01, REV A  
UPPER LEVEL TRAY  
336NF '07

POWER IN  
23878-02

28009-01  
DECORATIVE LITE POWER SUPPLY

CURRENT  
TORROID

BEN

CAN

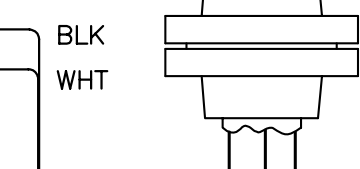
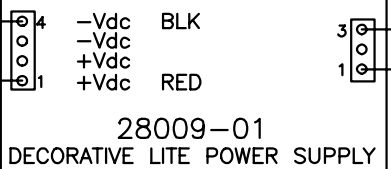
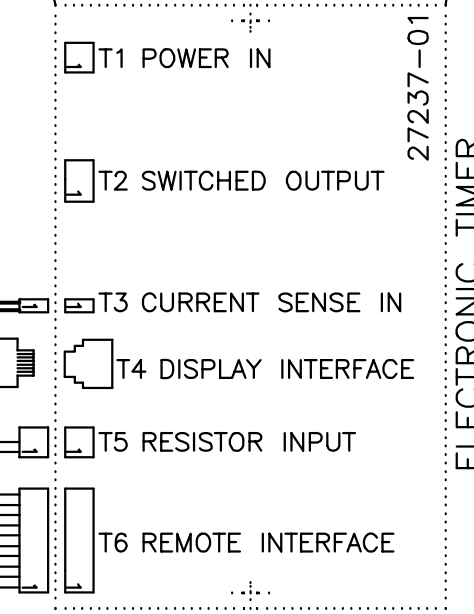
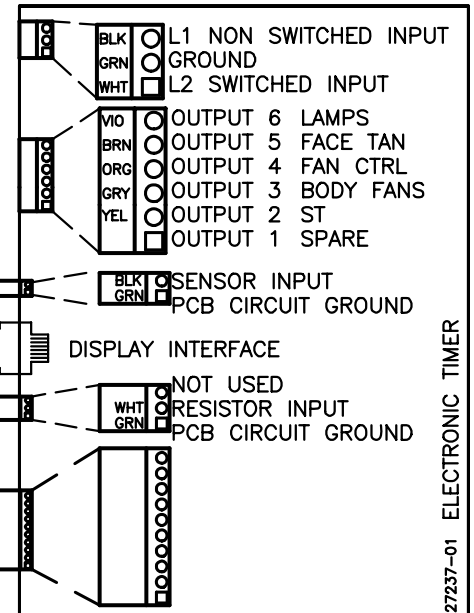
FAN RELAY

BEN CAP 1

BEN CAP 2

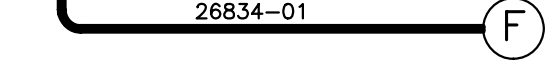
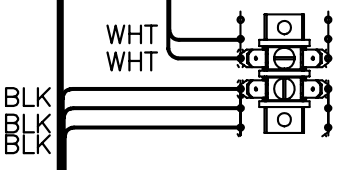
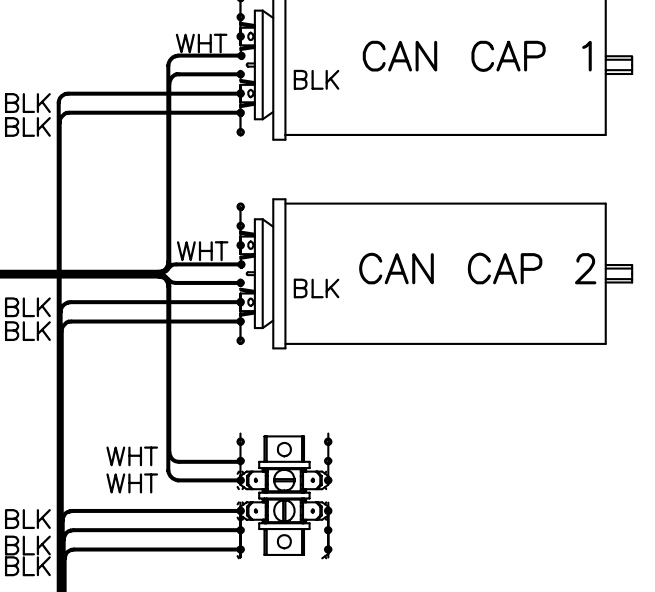
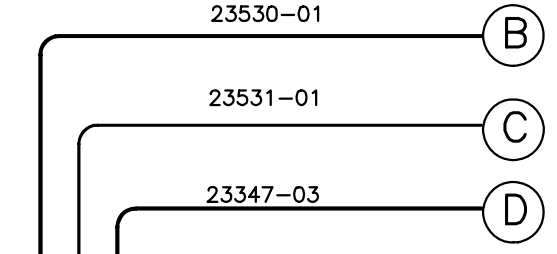
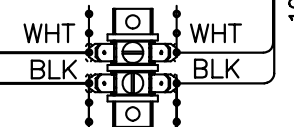
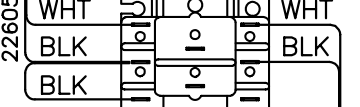
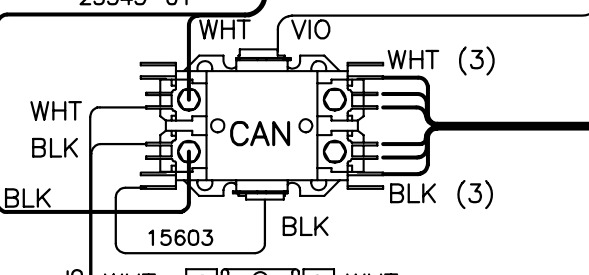
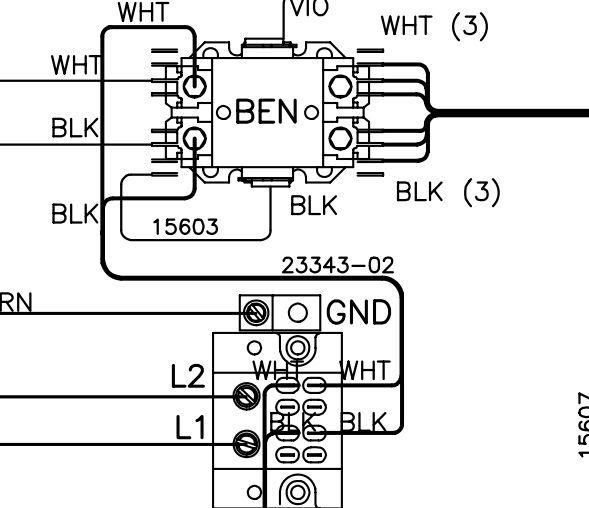
CAN CAP 1

CAN CAP 2



27918-01

24489-01



24486-03

24488-03

27159-02

27239-01

24487-01

24105-04

23344-01

23344-01

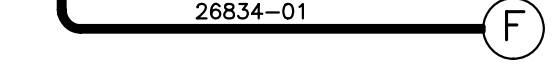
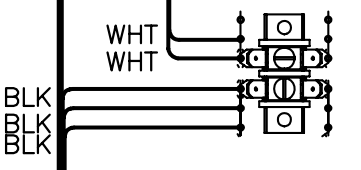
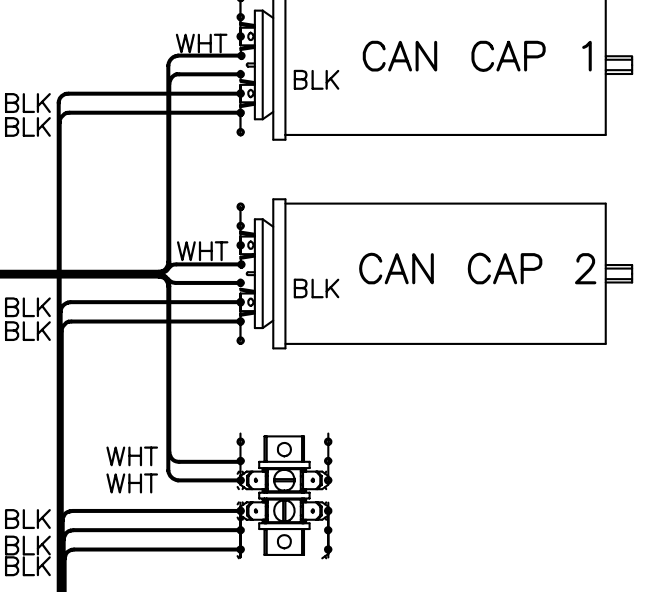
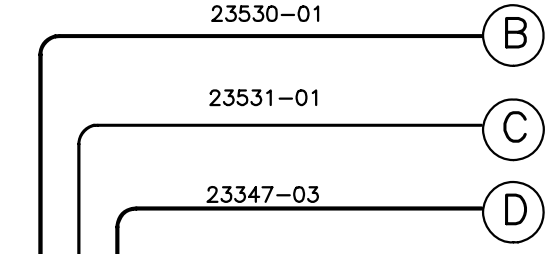
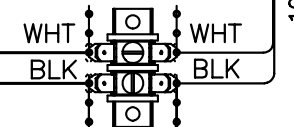
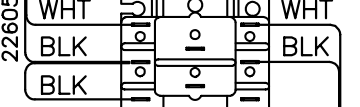
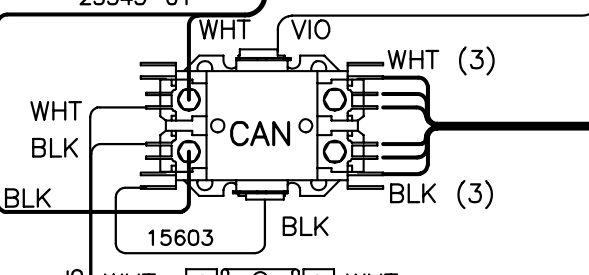
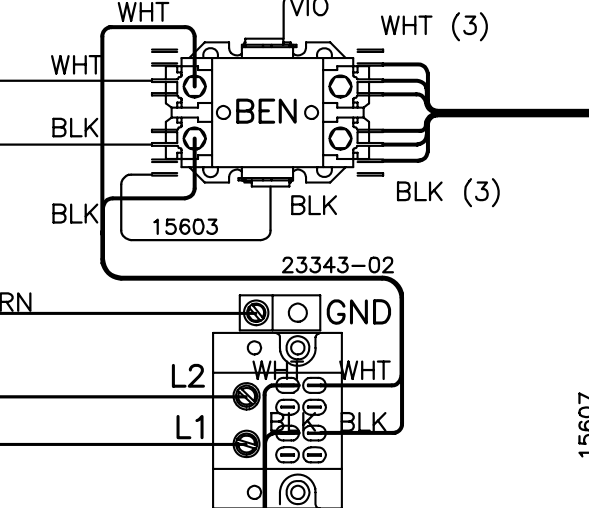
23343-01

22605

10255

27918-01

24489-01



P2  
27954-01

LAMP RETURN	KEY	LAMP RETURN	LAMP RETURN	LAMP RETURN	LAMP RETURN	LAMP RETURN	LAMP RETURN	LAMP RETURN	LAMP RETURN	LAMP RETURN	LAMP RETURN	-Vdc GND DECO LITES	+Vdc DECO LITES	NOT USED	NOT USED	NOT USED	FAN FEED	FAN RETURN	GROUND
1	2	3	4	5	6	7	8	9	10	11	12	13	14	15	16	17	18	19	
BLU	BLU	BLU	BLU	BLU	BLU	BLU	BLU	BLU	BLU	BLU	BLK	RED				BLK	WHT	GRN	

P4  
26862-01

NOT USED	LAMP RTN 5	ST FEED 1	LAMP RTN 6	BODY FAN FEED	FAN FEED	BODY FAN RTN	ST RTN	KEY	NOT USED	NOT USED	NOT USED	LAMP RTN 7	HOUR CTR FEED	FAN RTN	HOUR CTR RTN	LAMP RTN 8	NOT USED	GROUND
1	2	3	4	5	6	7	8	9	10	11	12	13	14	15	16	17	18	19
BLU	RED	BLU	BLK	BLK	WHT	BLU					BLU	BLK	WHT	WHT	BLU		GRN	

BLK RED

TO OTHER UPPER TRAY DRAWING

FRAME GROUND

T1 POWER IN

T2 SWITCHED OUTPUT

T3 CURRENT SENSE IN

T4 DISPLAY INTERFACE

T5 RESISTOR INPUT

T6 REMOTE INTERFACE

27237-01

ELECTRONIC TIMER

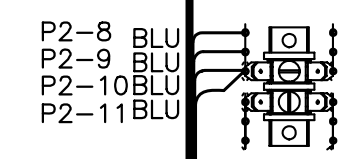
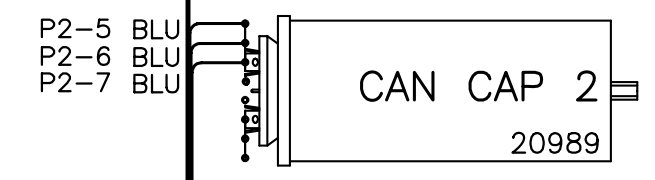
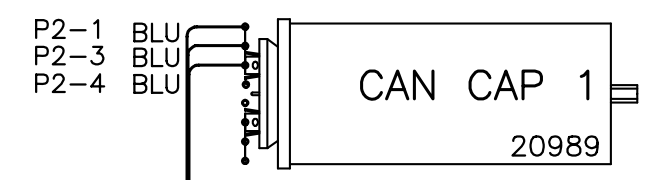
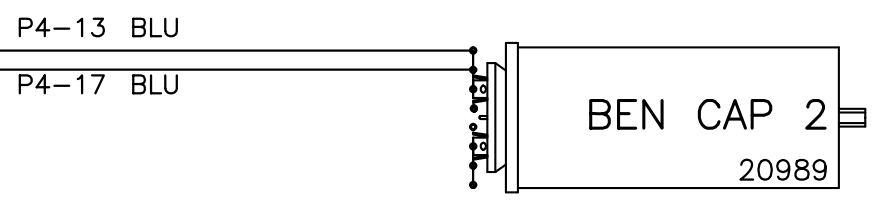
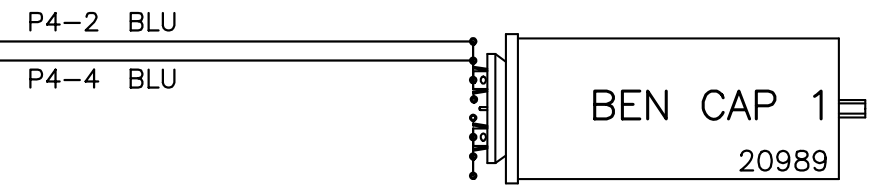
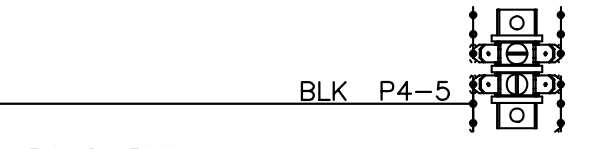
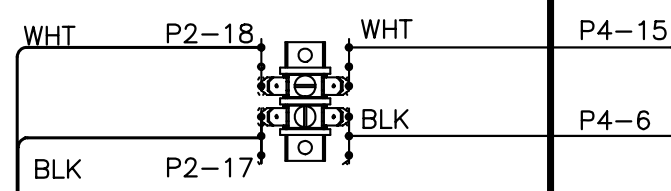
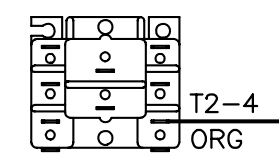
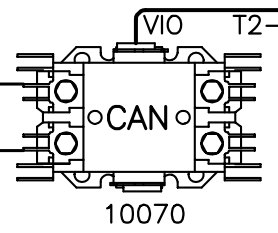
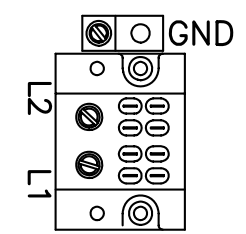
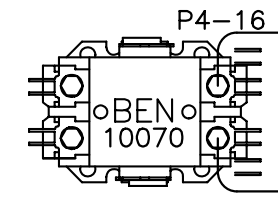
27945-01, REV A  
UPPER LEVEL TRAY  
336NF '07

24873-01

23335-01

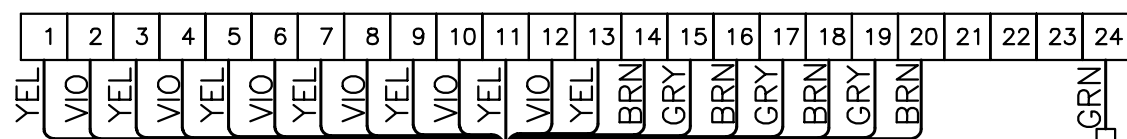
NOT USED BLU P4-8  
NOT USED RED P4-3

MUST BE TIED OFF T2-2 YEL  
T2-3 GRY

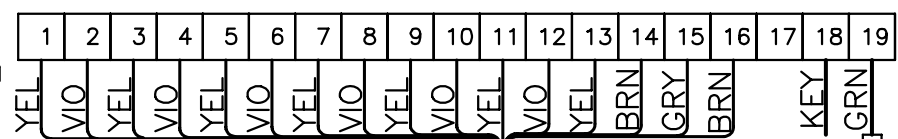


WARNING: ALTERING THE DESIGN, TIMER SYSTEM, OR WIRING FROM THAT SHOWN HEREIN, WILL VOID THE WARRANTY, AND MAY RESULT IN A VIOLATION OF FEDERAL LAW.

P1  
26836-01

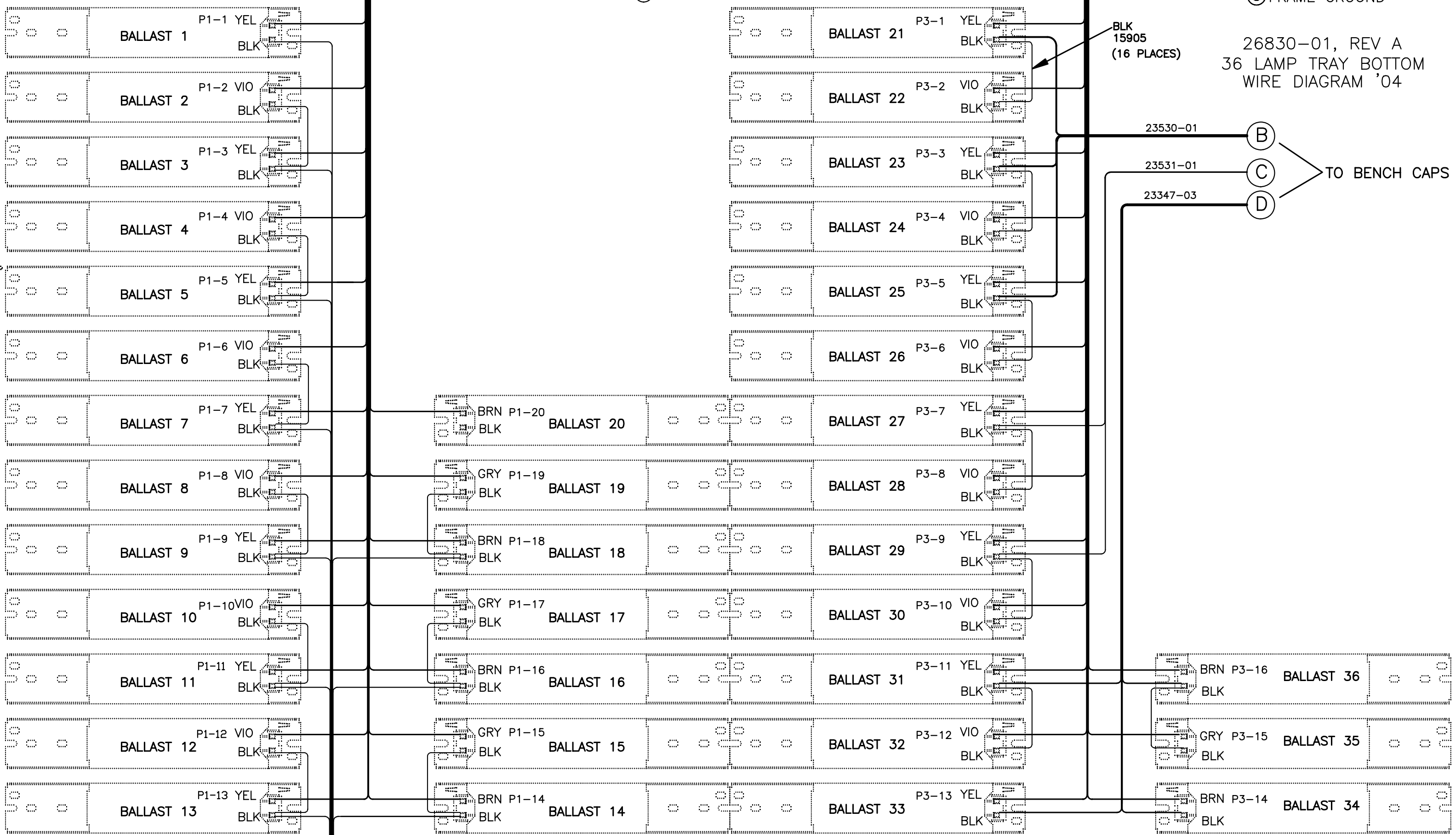


P3  
26861-01



○ FRAME GROUND

○ FRAME GROUND



BLK 15905  
(16 PLACES)

26830-01, REV A  
36 LAMP TRAY BOTTOM  
WIRE DIAGRAM '04

23530-01

23531-01

23347-03

(B)

(C)

(D)

TO BENCH CAPS

26834-01

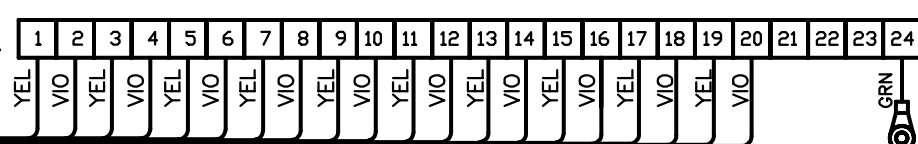
(F)

TO CANOPY CAPS

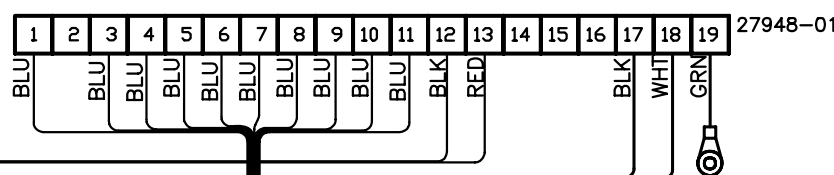
TO TIMER  
24286-01



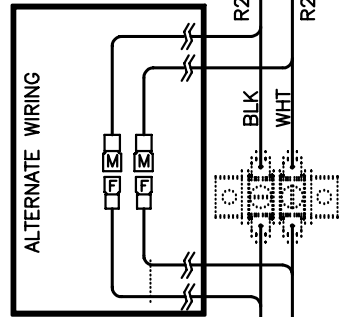
R1  
26803-01



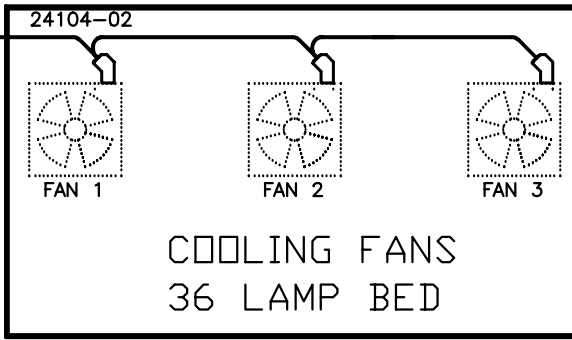
R2



27948-01

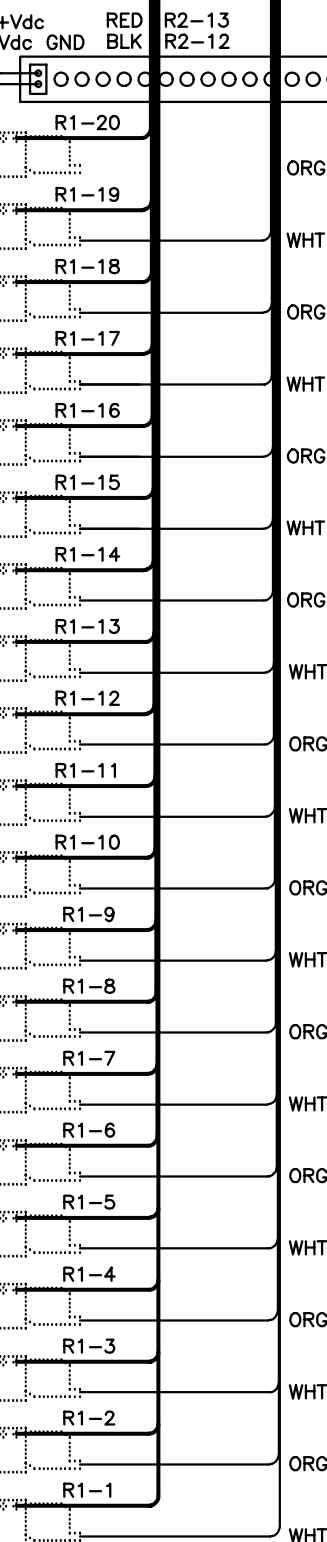


27949-01



27947-01, REV A  
36 LAMP CANOPY  
WIRE DIAGRAM '07

R2 PIN NO.	FUNCTION
1	LAMP RETURN
2	OPEN (KEY)
3	LAMP RETURN
4	LAMP RETURN
5	LAMP RETURN
6	LAMP RETURN
7	LAMP RETURN
8	LAMP RETURN
9	LAMP RETURN
10	LAMP RETURN
11	LAMP RETURN
12	-
13	-
14	Vdc GROUND
15	+5Vdc
16	-
17	FAN FEED
18	FAN RETURN
19	GROUND

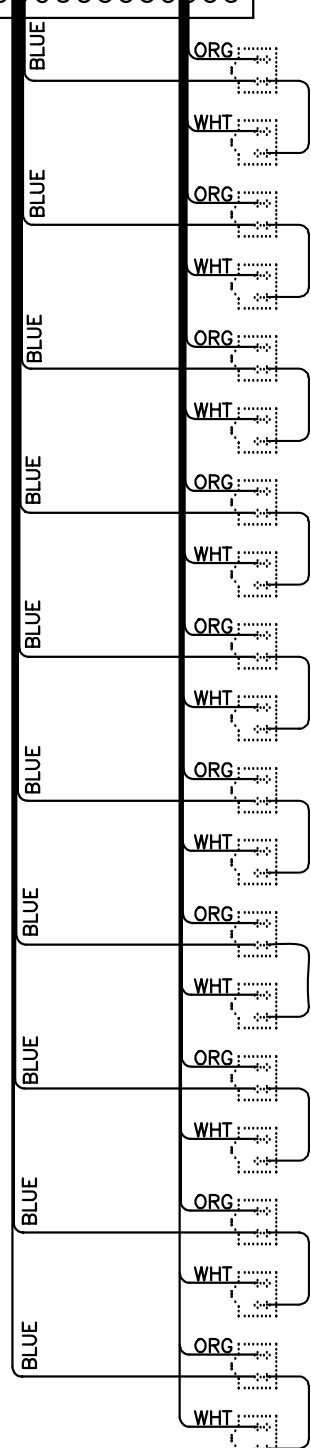


26809-01

FRONT OF BED

**WARNING: ALTERING THE DESIGN, TIMER SYSTEM, OR WIRING FROM THAT SHOWN HEREIN, WILL VOID THE WARRANTY, AND MAY RESULT IN A VIOLATION OF FEDERAL LAW.**

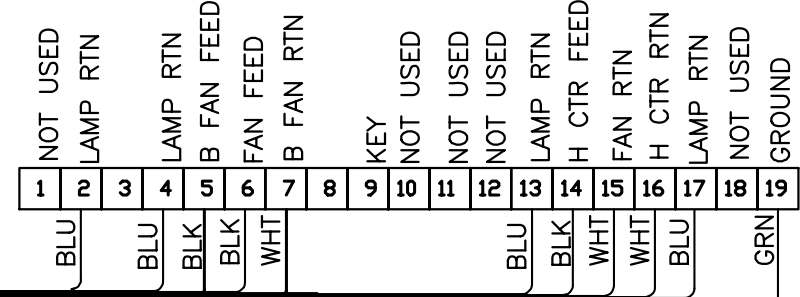
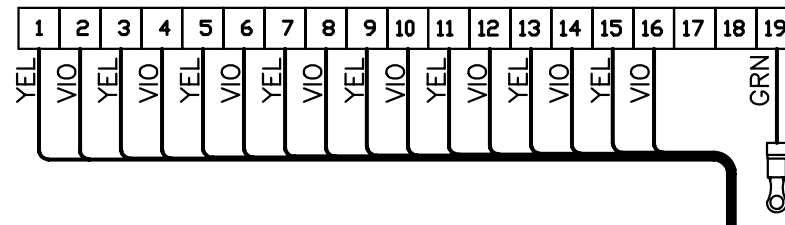
24486-04



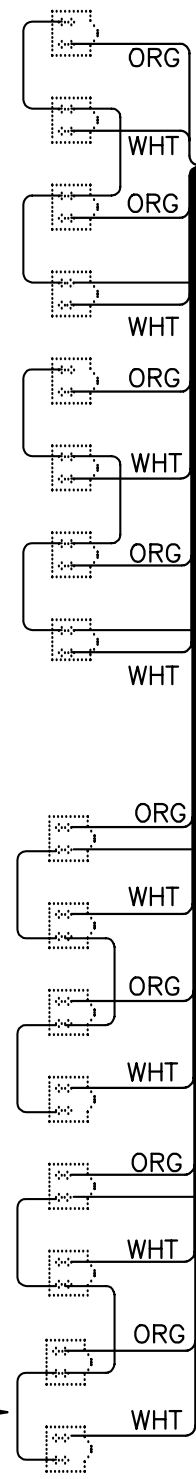
BLU  
15112  
(10 PLACES)



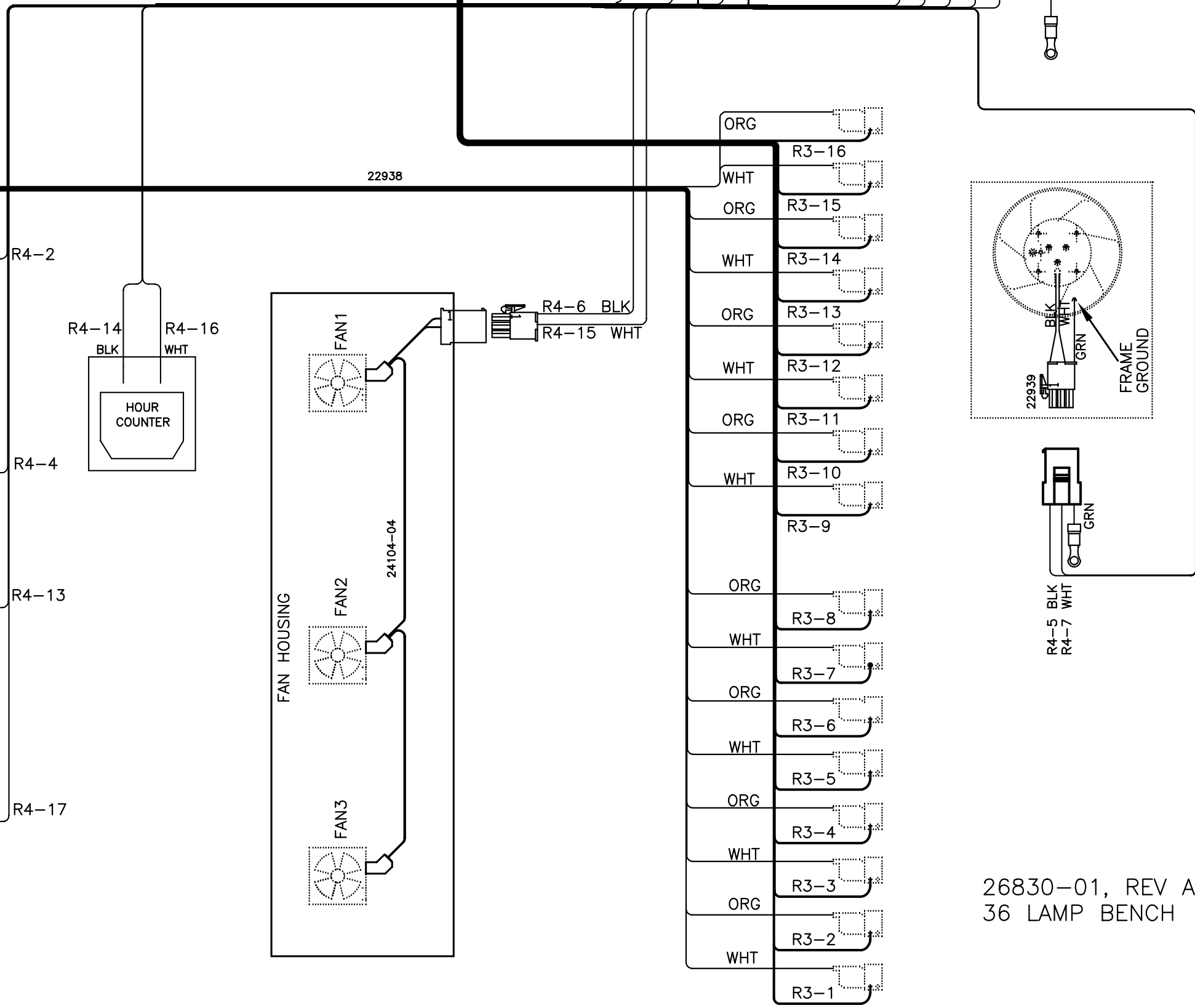
R3  
26863-01



R4  
26864-01



15902  
BLU  
12 PLACES



FRONT OF BED  
(BOTTOM SIDE UP)

WARNING: ALTERING THE DESIGN, TIMER SYSTEM, OR WIRING FROM THAT SHOWN HEREIN, WILL VOID THE WARRANTY, AND MAY RESULT IN A VIOLATION OF FEDERAL LAW.

26830-01, REV A  
36 LAMP BENCH