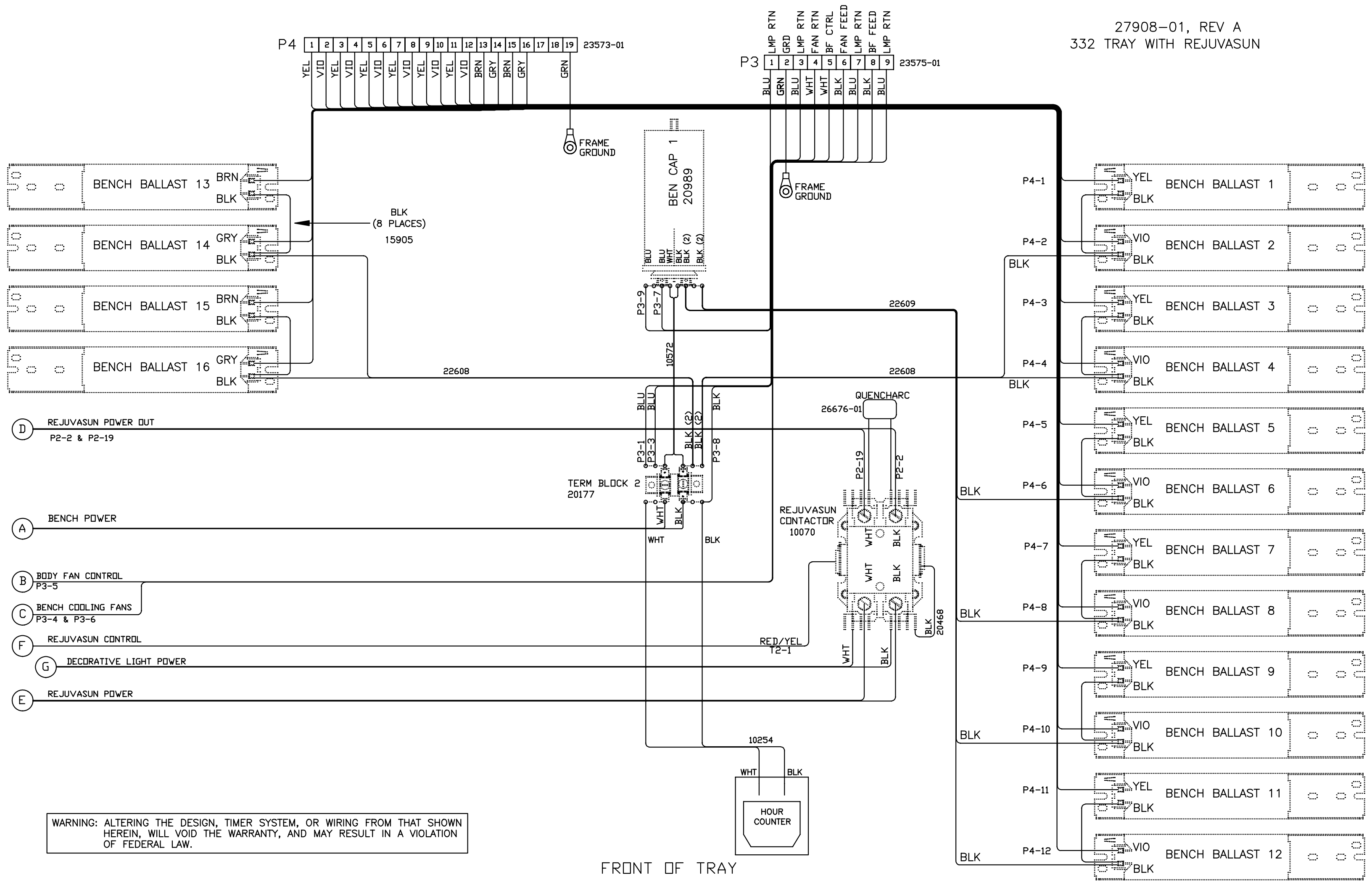


PIN #	R3 FUNCTIONS
1	LAMP RETURN 1
2	GROUND
3	LAMP RETURN 2
4	FAN RETURN
5	BODY FAN CONTROL
6	FAN FEED
7	LAMP RETURN 3
8	BODY FAN RTN
9	LAMP RETURN 4

WARNING: ALTERING THE DESIGN, TIMER SYSTEM, OR WIRING FROM THAT SHOWN HEREIN, WILL VOID THE WARRANTY, AND MAY RESULT IN A VIOLATION OF FEDERAL LAW.



P4 23573-01

1	2	3	4	5	6	7	8	9	10	11	12	13	14	15	16	17	18	19
YEL	VIO	YEL	VIO	YEL	VIO	YEL	VIO	YEL	VIO	YEL	VIO	BRN	GRY	BRN	GRY			GRN

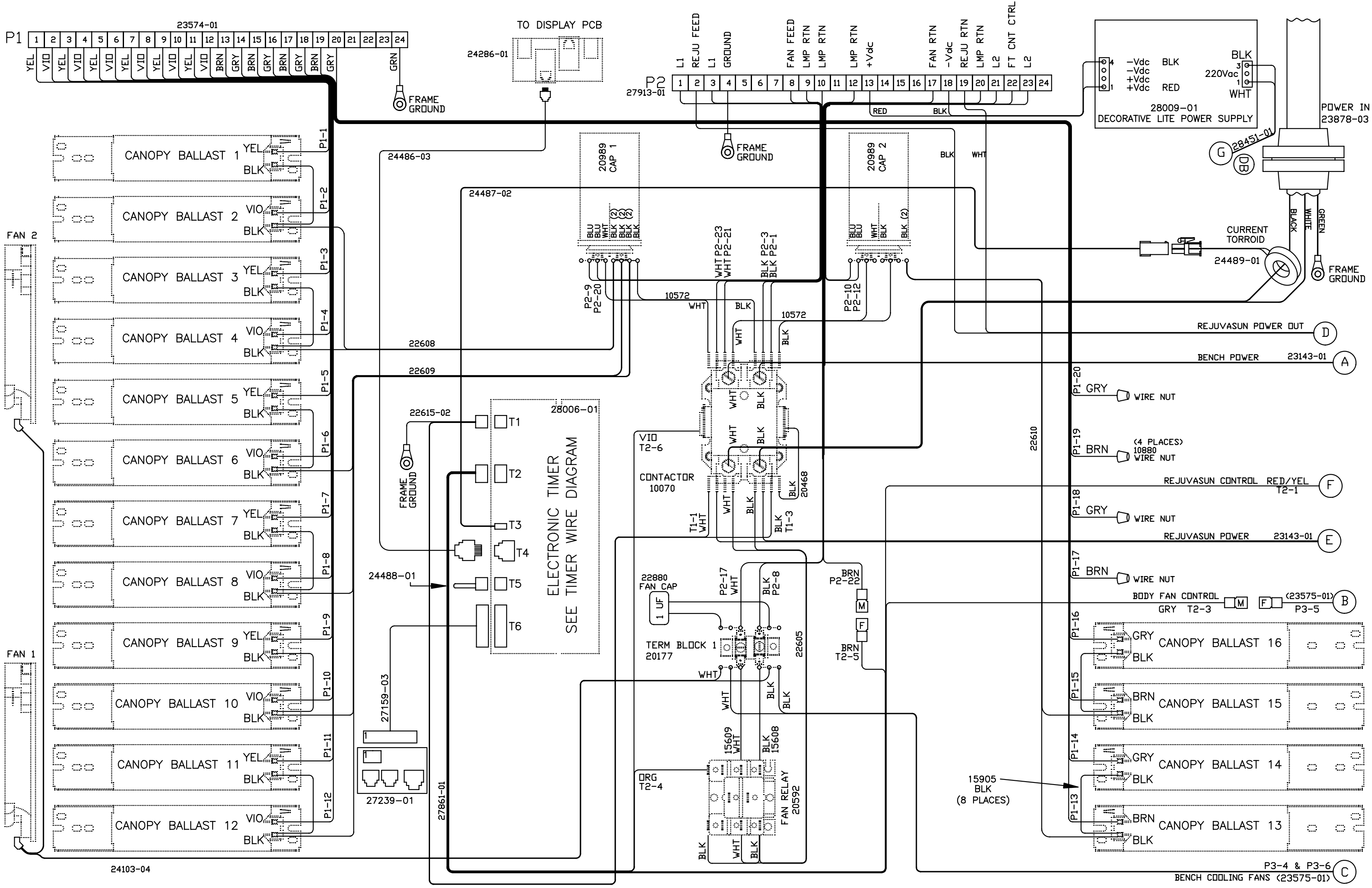
P3 23575-01

1	2	3	4	5	6	7	8	9
LMP RTN	GRD	LMP RTN	FAN RTN	BF CTRL	FAN FEED	LMP RTN	BF FEED	LMP RTN
BLU	GRN	BLU	WHT	WHT	BLK	BLU	BLK	BLU

- (D) REJUVASUN POWER OUT
P2-2 & P2-19
- (A) BENCH POWER
- (B) BODY FAN CONTROL
P3-5
- (C) BENCH COOLING FANS
P3-4 & P3-6
- (F) REJUVASUN CONTROL
- (G) DECORATIVE LIGHT POWER
- (E) REJUVASUN POWER

WARNING: ALTERING THE DESIGN, TIMER SYSTEM, OR WIRING FROM THAT SHOWN HEREIN, WILL VOID THE WARRANTY, AND MAY RESULT IN A VIOLATION OF FEDERAL LAW.

FRONT OF TRAY



23574-01

TO DISPLAY PCB

24286-01

P2
27913-01

28009-01
DECORATIVE LITE POWER SUPPLY

POWER IN
23878-03

28451-01

CURRENT TORROID
24489-01

REJUVASUN POWER OUT (D)

BENCH POWER 23143-01 (A)

WIRE NUT

(4 PLACES)
10880
WIRE NUT

REJUVASUN CONTROL RED/YEL (F)
T2-1

REJUVASUN POWER 23143-01 (E)

BODY FAN CONTROL (23575-01) (B)
GRY T2-3 M F P3-5

GRY CANOPY BALLAST 16

BRN CANOPY BALLAST 15

GRY CANOPY BALLAST 14

BRN CANOPY BALLAST 13

P3-4 & P3-6 (C)

BENCH COOLING FANS (23575-01)

ELECTRONIC TIMER
SEE TIMER WIRE DIAGRAM

24103-04