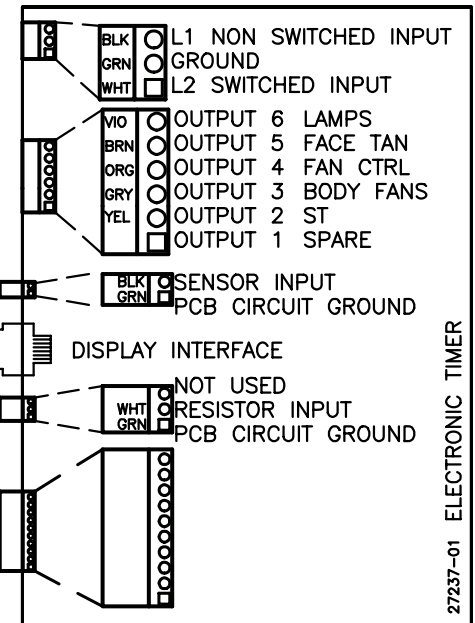


27397-01, REV A  
 UPPER LEVEL TRAY  
 442 & 542 SERIES '06

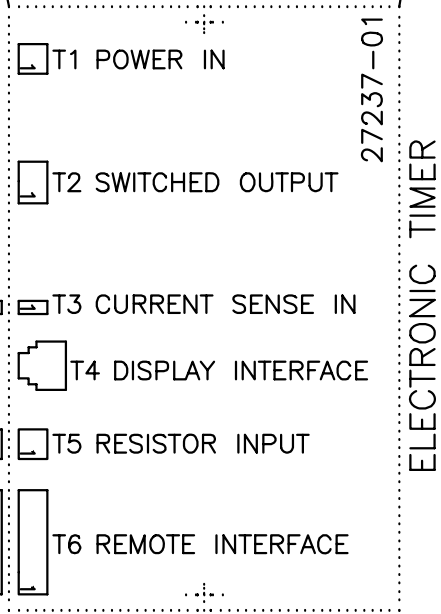
POWER IN  
 23878-05

CURRENT  
 TORROID

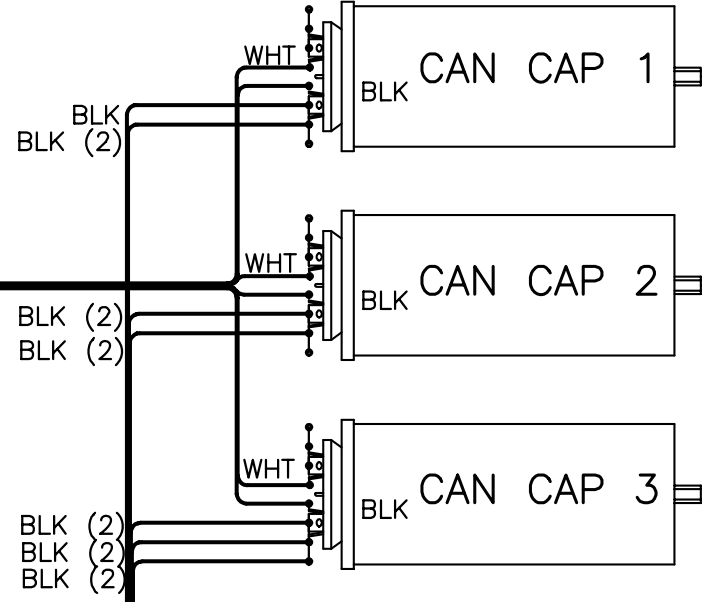
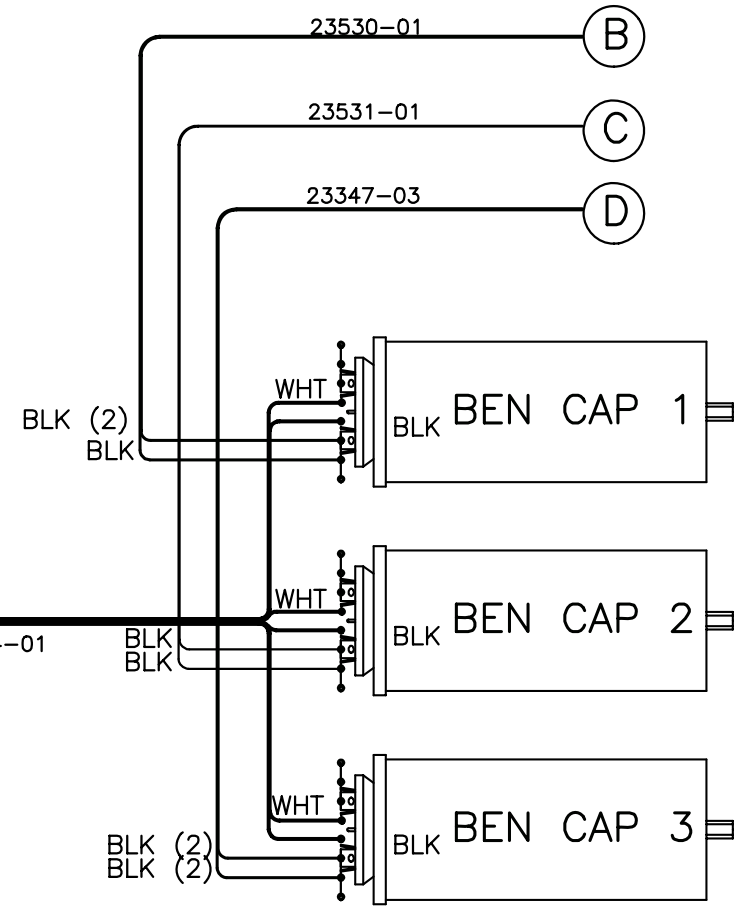
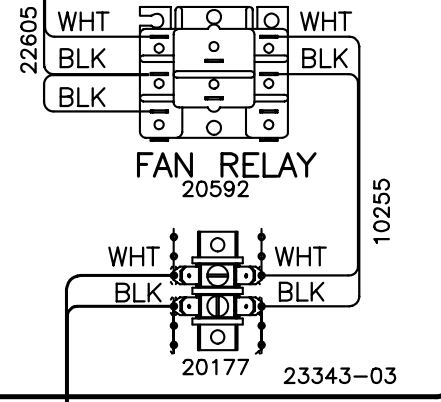
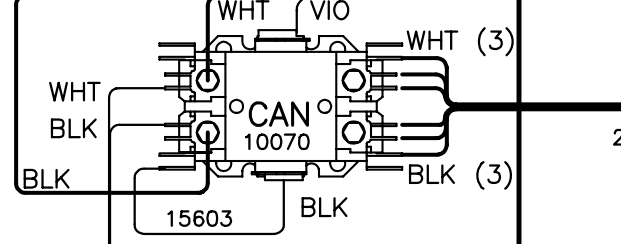
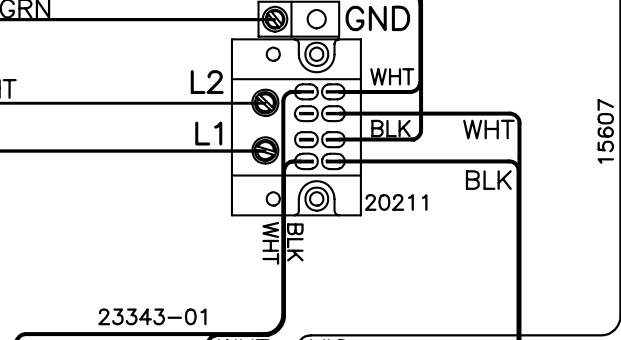
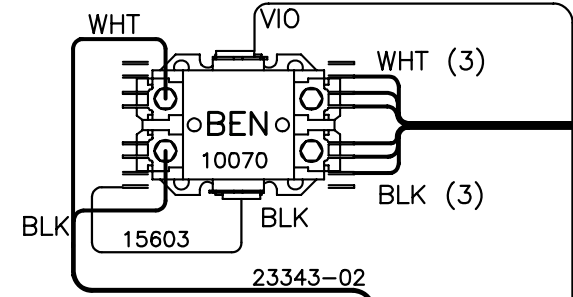
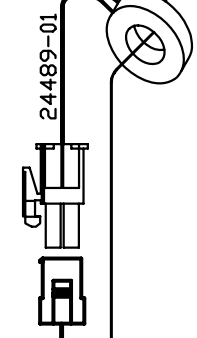
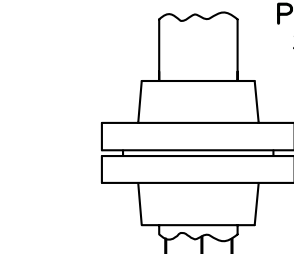
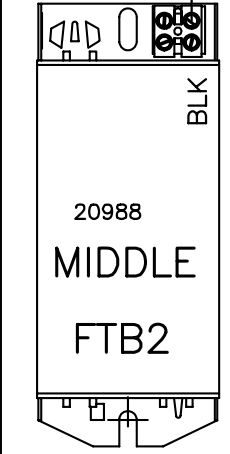
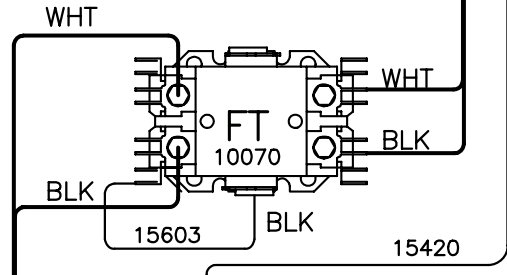
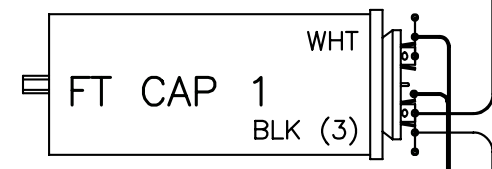
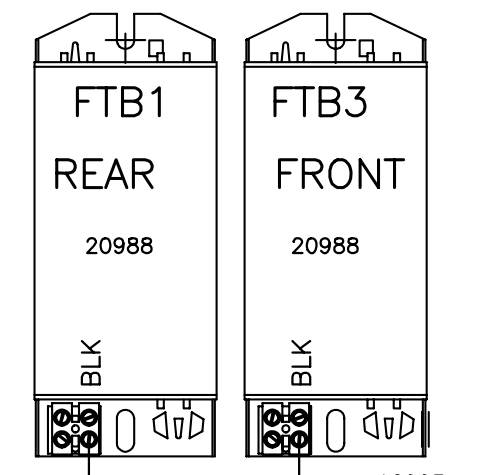
TO TIMER  
 24286-01



27237-01 ELECTRONIC TIMER



27237-01 ELECTRONIC TIMER



10081  
 (4 PLACES)

27239-01

24487-01

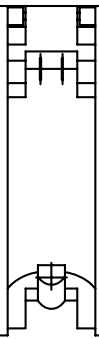
24105-04

F

P2  
24847-01

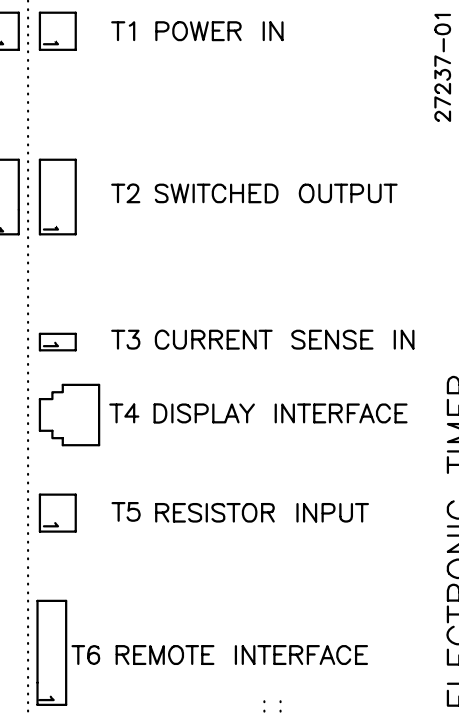
LAMP RTN 1	LAMP FD 24	FAN FD	LAMP RTN 2	FTB RTN 1	NOT USED	FTB RTN 2	SHROUD FAN FD	FTB RTN 3	LAMP RTN 3	LAMP FD 25	NOT USED	NOT USED	FAN RTN	LAMP RTN 4	FTB1	SHROUD FAN RTN	FTB2	NOT USED	FTB3	LAMP RTN 5	LAMP FD 26	LAMP RTN 6	GROUND
1	2	3	4	5	6	7	8	9	10	11	12	13	14	15	16	17	18	19	20	21	22	23	24
BLU	BRN	BLK	BLU	BLU	BLU	BLK	BLU	BLU	GRY				WHT	BLU	RED	WHT	RED		BLK	BLU	BRN	BLU	GRN

TO BALLAST  
24 - 26



27397-01, REV A  
UPPER LEVEL TRAY  
442 & 542 SERIES '06

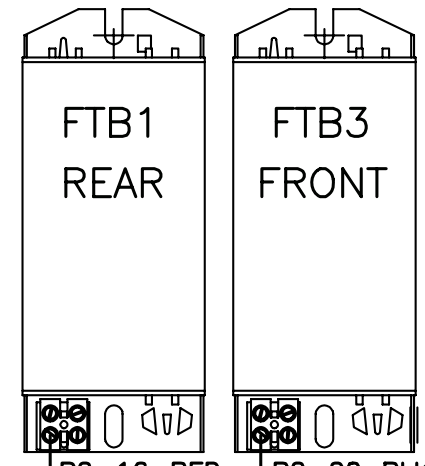
FRAME GROUND



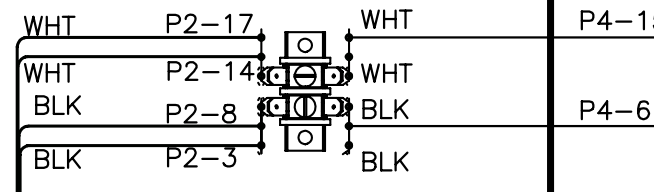
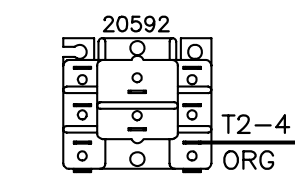
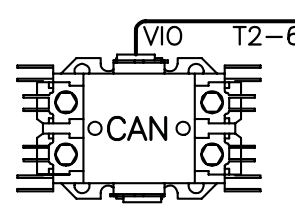
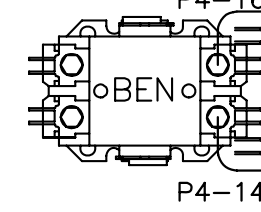
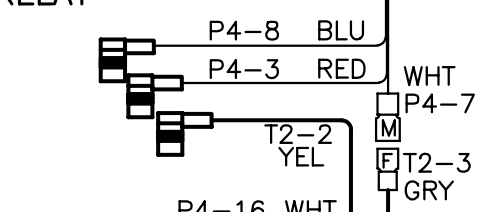
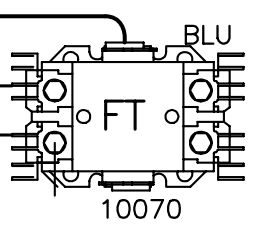
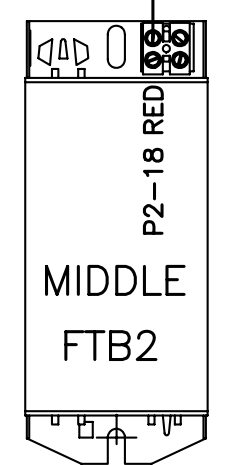
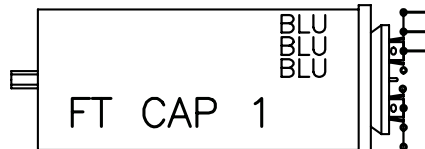
ELECTRONIC TIMER

P4  
23197-01

NOT USED	LAMP RTN 5	ST FEED 1	LAMP RTN 6	BODY FAN FEED	FAN FEED	BODY FAN RTN	ST RTN	KEY	NOT USED	NOT USED	NOT USED	LAMP RTN 7	HOUR CTR FEED	FAN RTN	HOUR CTR RTN	LAMP RTN 8	NOT USED	GROUND
1	2	3	4	5	6	7	8	9	10	11	12	13	14	15	16	17	18	19
BLU	RED	BLU	BLK	BLK	WHT	BLU						BLU	BLK	WHT	WHT	BLU		GRN



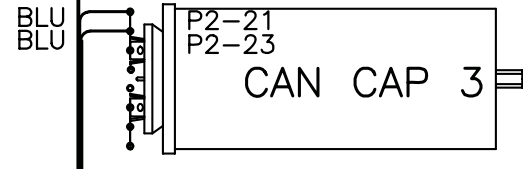
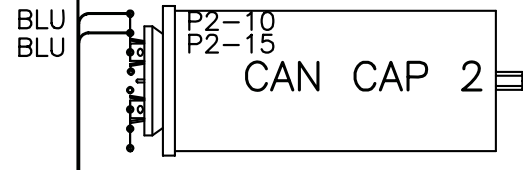
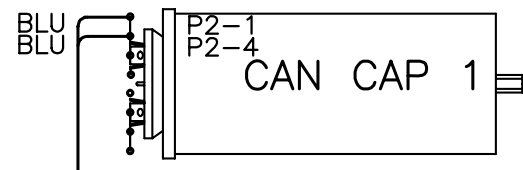
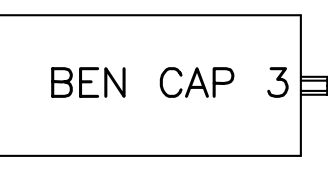
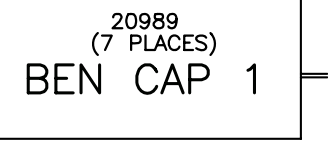
SHOULDER TANNER  
(ST) RELAY

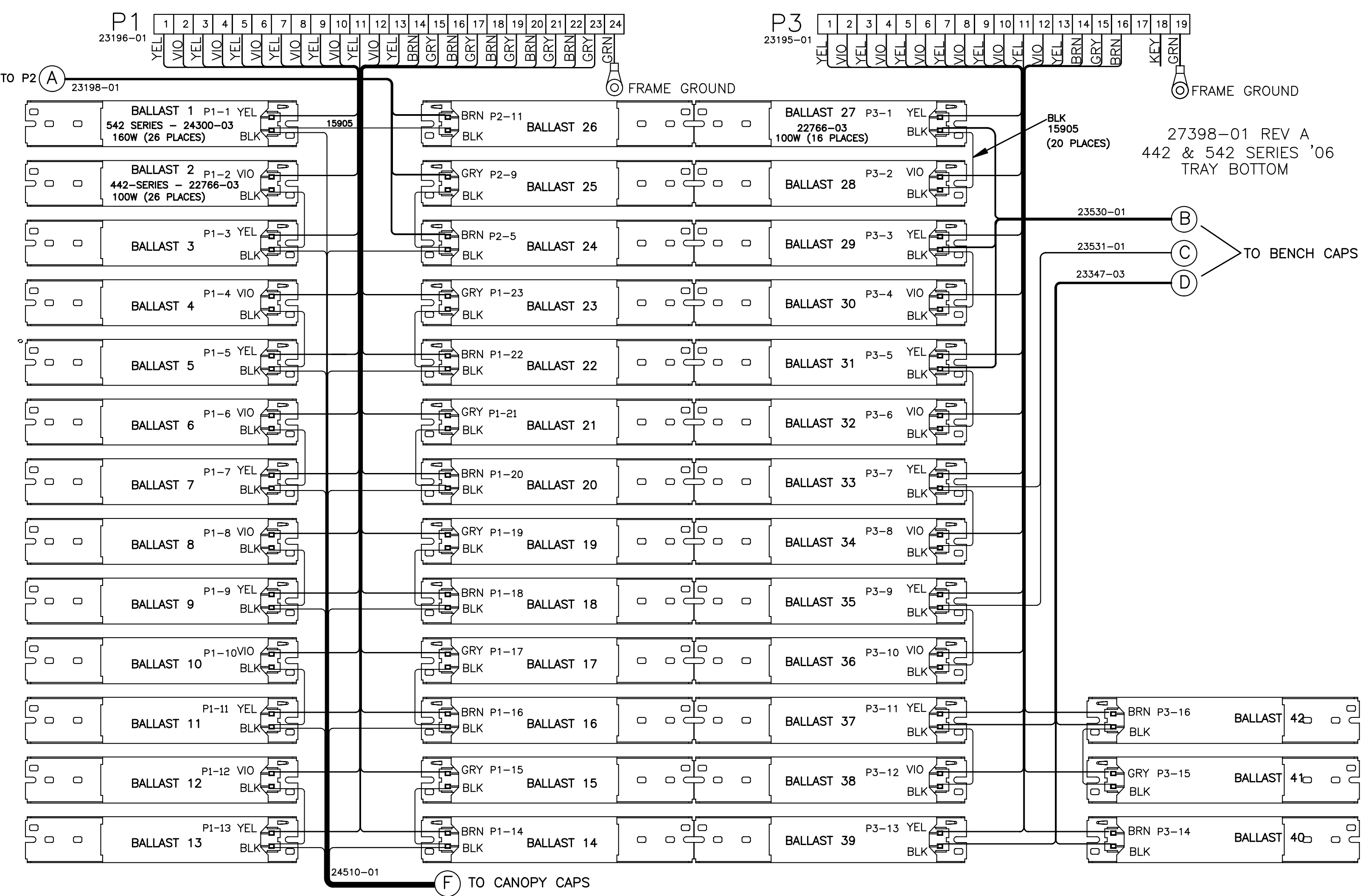


24873-01

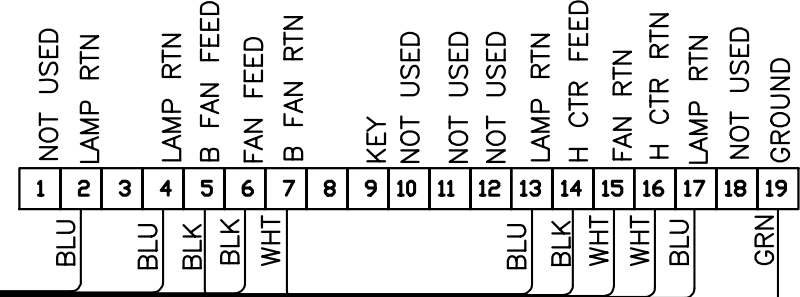
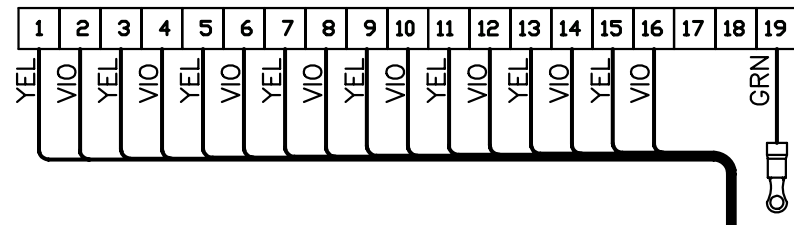
23335-01

WARNING: ALTERING THE DESIGN, TIMER SYSTEM, OR WIRING FROM THAT SHOWN HEREIN, WILL VOID THE WARRANTY, AND MAY RESULT IN A VIOLATION OF FEDERAL LAW.

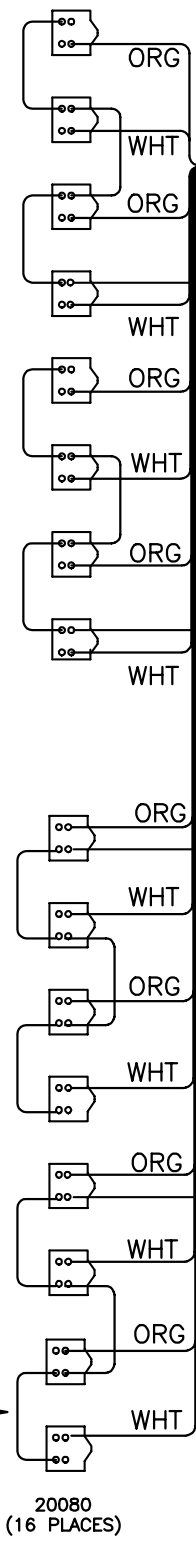




R3  
23348-01

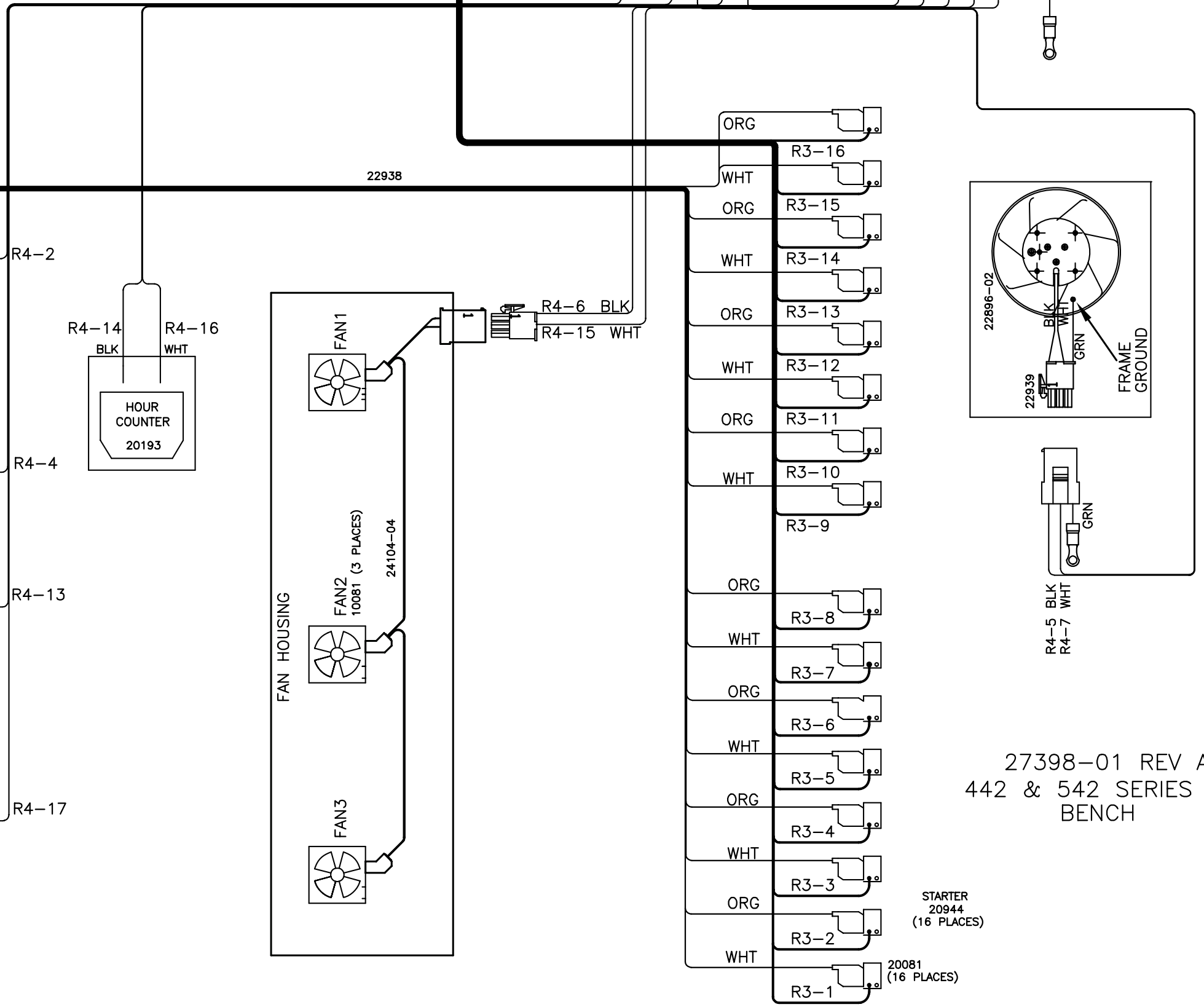


R4  
24810-01



15913  
BRN  
12 PLACES

20080  
(16 PLACES)



FRONT OF BED  
(BOTTOM SIDE UP)

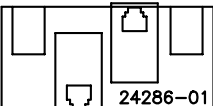
**WARNING: ALTERING THE DESIGN, TIMER SYSTEM, OR WIRING FROM THAT SHOWN HEREIN, WILL VOID THE WARRANTY, AND MAY RESULT IN A VIOLATION OF FEDERAL LAW.**

27398-01 REV A  
442 & 542 SERIES '06  
BENCH

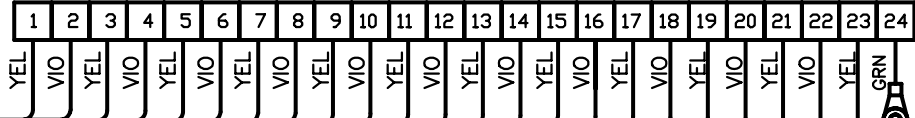
STARTER  
20944  
(16 PLACES)

20081  
(16 PLACES)

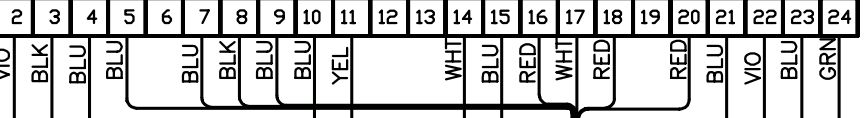
TO TIMER  
VIA RJ-11  
CABLE



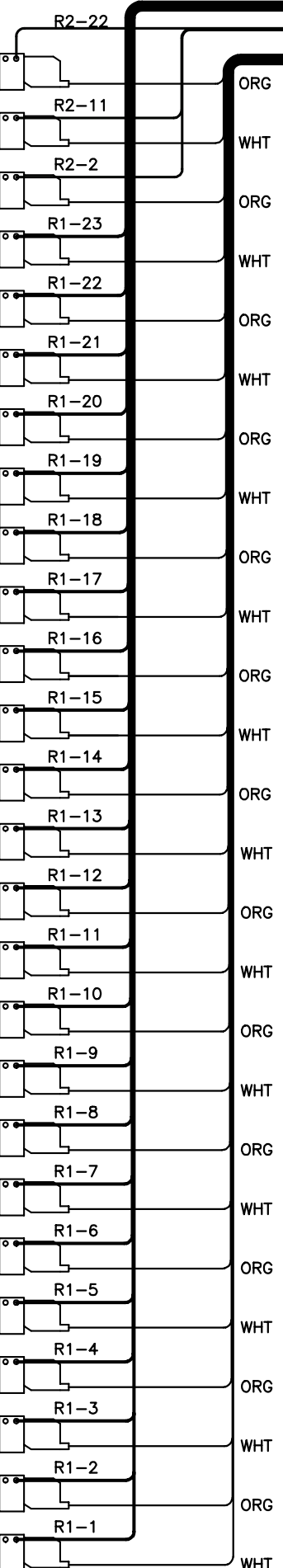
R1 23361-01



R2

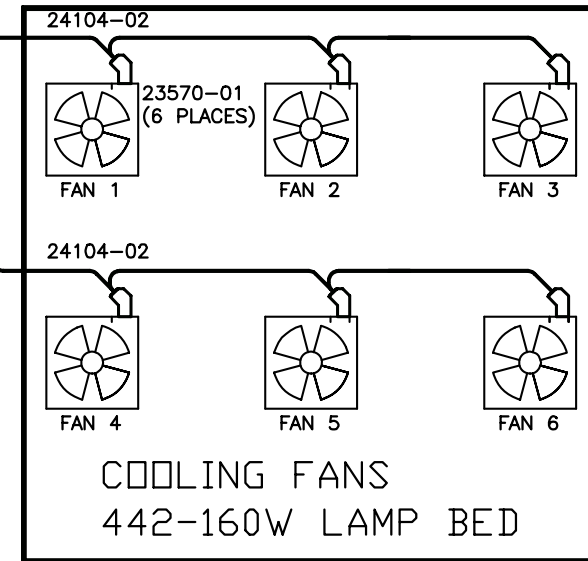


24848-01



STARTER  
20944  
(26 PLCS)

R2 PIN NO.	FUNCTION	P5 PIN NO.
1	LAMP 1 RTN	-
2	LAMP FEED 24	-
3	FAN FEED	-
4	LAMP RTN 2	-
5	FTB RTN 1	7
6	NOT USED	-
7	FTB RTN 2	8
8	SHROUD FAN FEED	4
9	FTB RTN 3	9
10	LAMP RTN 3	-
11	LAMP FEED 25	-
12	NOT USED	-
13	NOT USED	-
14	FAN RTN	-
15	LAMP RTN 4	-
16	FTB 1	1
17	SHROUD FAN RTN	6
18	FTB 2	3
19	NOT USED	-
20	FTB 3	2
21	LAMP RTN 5	-
22	LAMP FEED 26	-
23	LAMP RTN 6	-
24	GROUND	-



27399-01, REV A  
442 & 542 LAMP CANOPY '06

FRONT OF BED

**WARNING: ALTERING THE DESIGN, TIMER SYSTEM, OR WIRING FROM THAT SHOWN HEREIN, WILL VOID THE WARRANTY, AND MAY RESULT IN A VIOLATION OF FEDERAL LAW.**

24486-04

20081  
(26 PLCS)

20080  
(26 PLCS)

24504-01  
KEYPAD  
24176-01  
DISPLAY PCB

