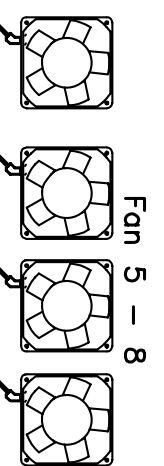


LEFT MODULE 652V 27401-01, REV A '06 WIRING SHOWN FROM LAMP SIDE

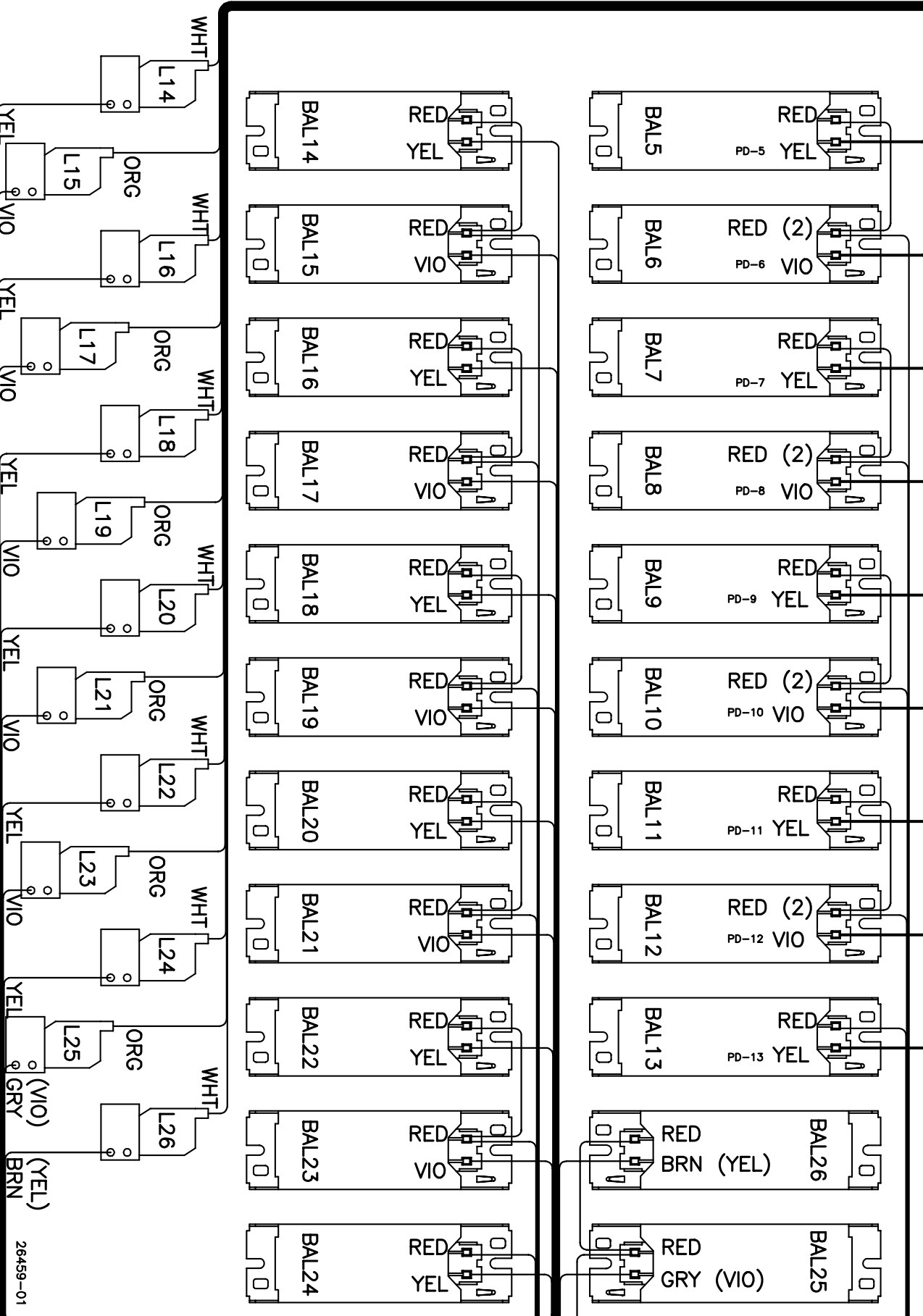
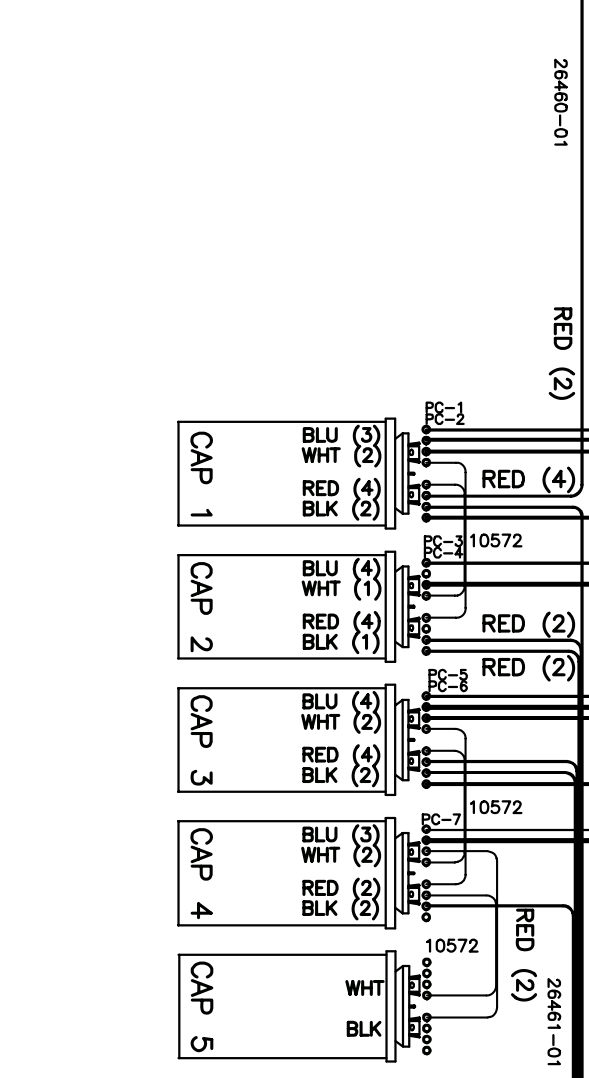
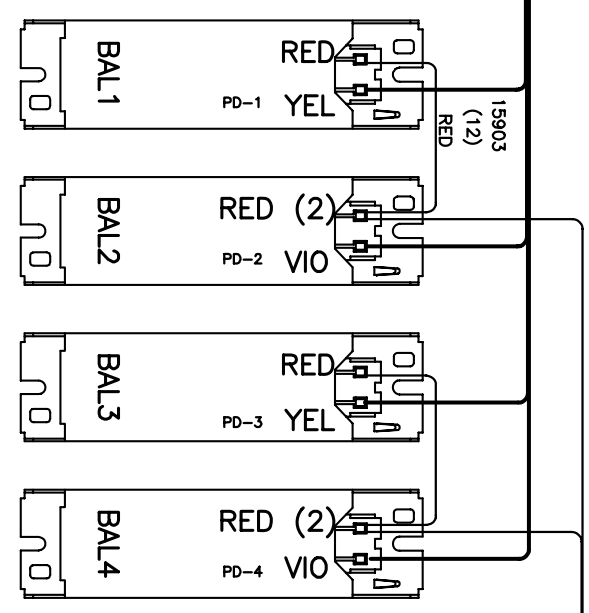
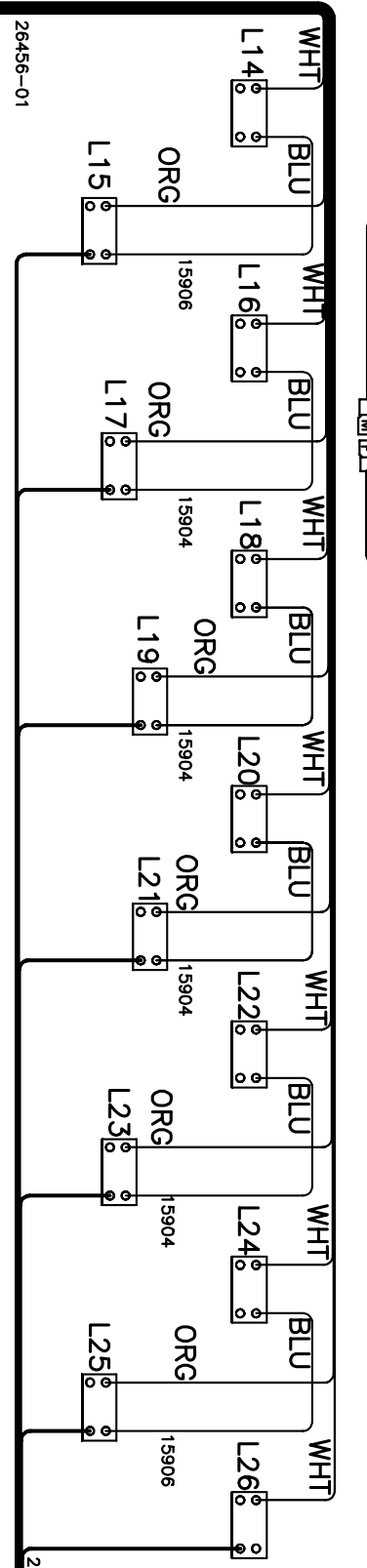
TO RIGHT MODULE

TO LEFT DOOR
26458-01



TO RIGHT MODULE
RA
1 2 3 4 5 6 7 8 9 10 11 12

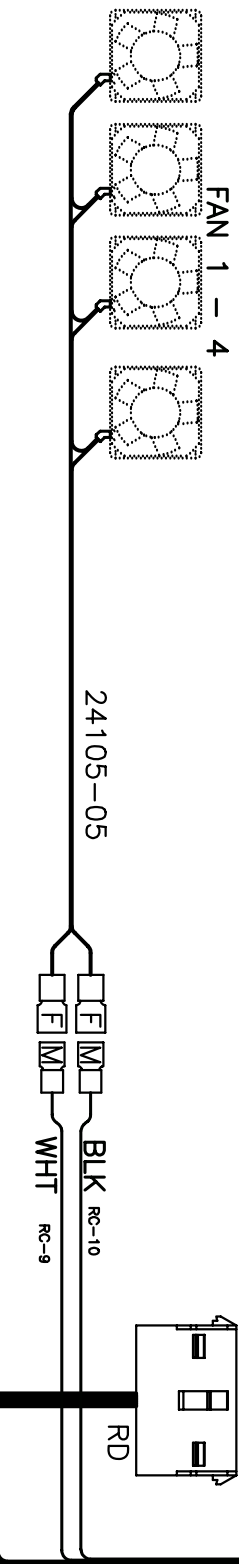
TO RIGHT MODULE
RB-1 RB-2 RB-3



26695-01, REV A
 LEFT DOOR 652V
 WIRING SHOWN FROM LAMP SIDE

FROM LEFT MODULE
 LAMP RETURNS
 26471-01

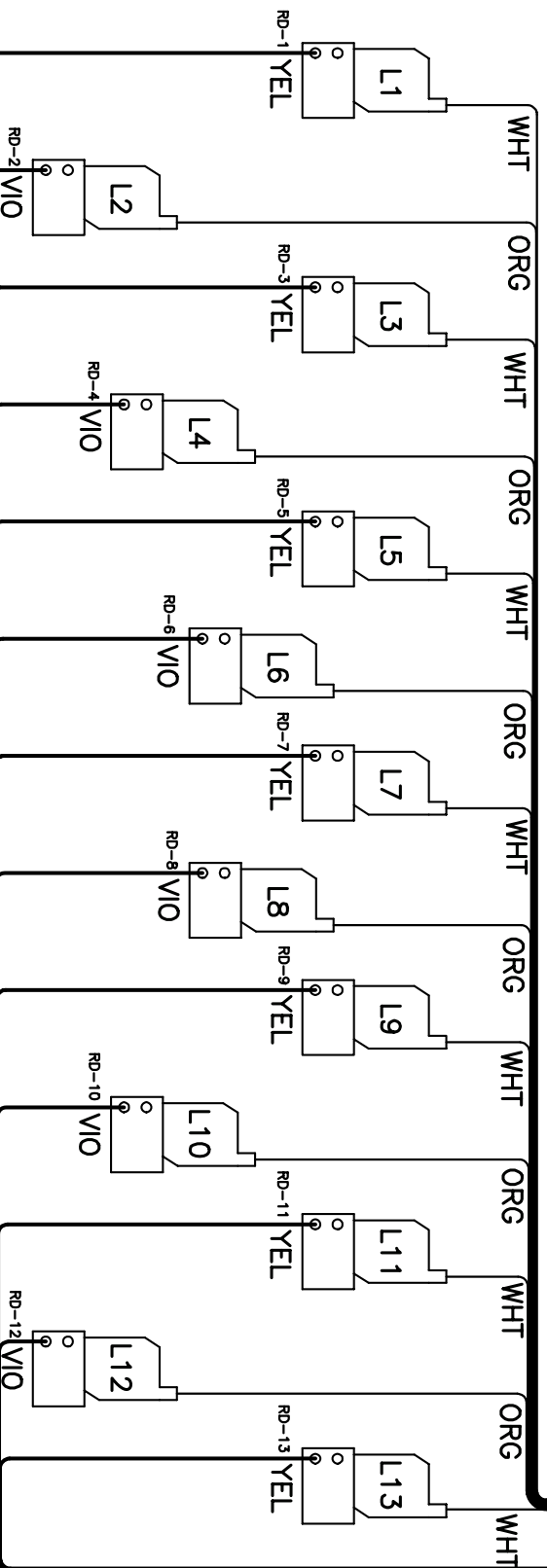
FROM LEFT MODULE
 LAMP FEEDS
 26470-01



NOTE:
 1. LONG WHITE WIRE OF
 HARNESS GOES TO THE TOP

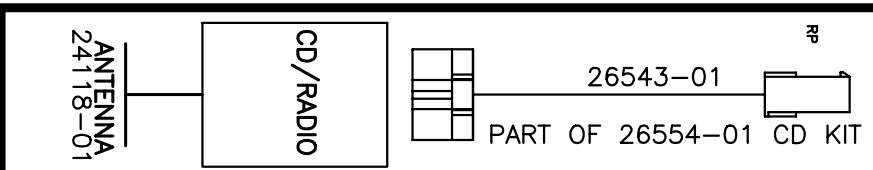
26456-01

26470-01



FROM
 RIGHT
 MODULE
 AUDIO
 26550-01

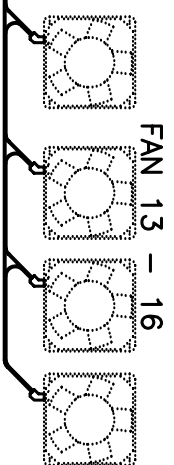
USED ON ELITE 756V MODEL ONLY
 FOR COMPLETE AUDIO DIAGRAM SEE DRAWING 26671-01



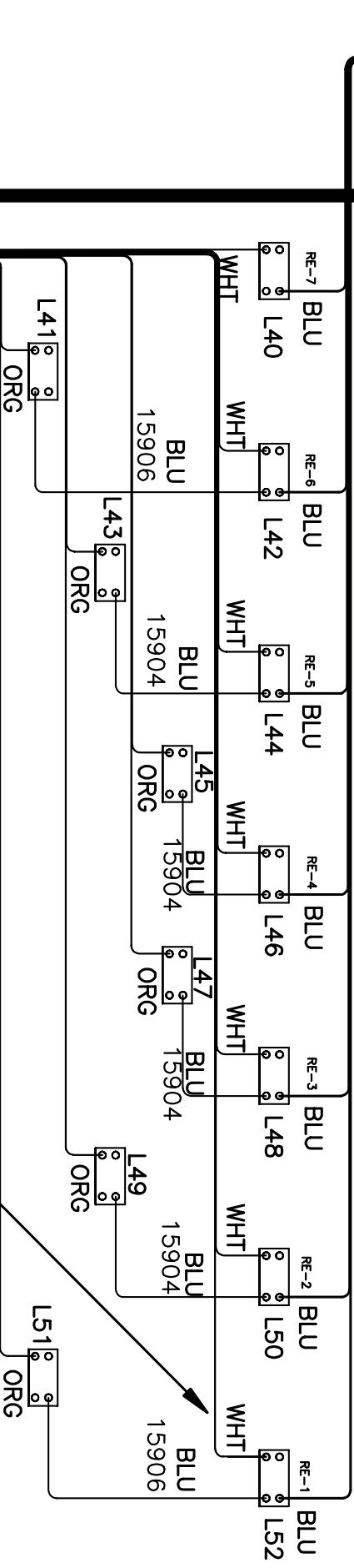
FROM RIGHT MODULE
LAMP RETURNS
26471-01

FROM RIGHT MODULE
LAMP FEEDS
26470-01

26695-01, REV A RIGHT DOOR 652V WIRING SHOWN FROM LAMP SIDE



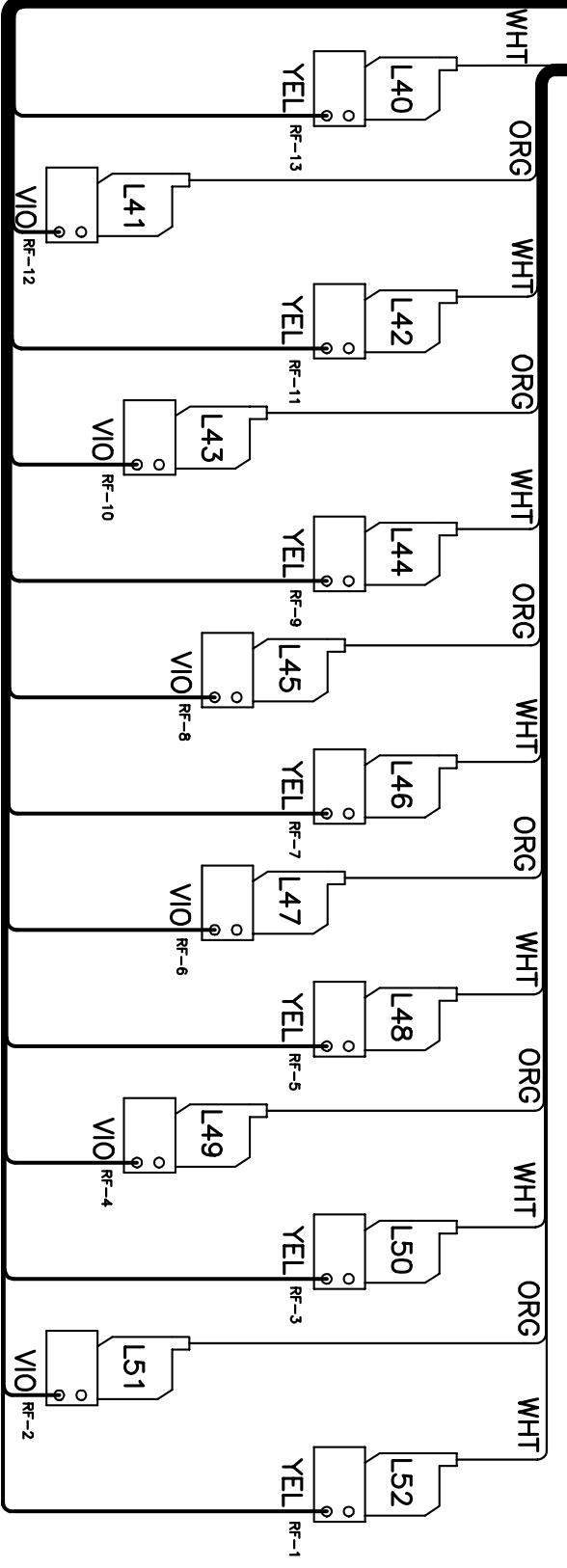
24105-05



GRN
RD-15

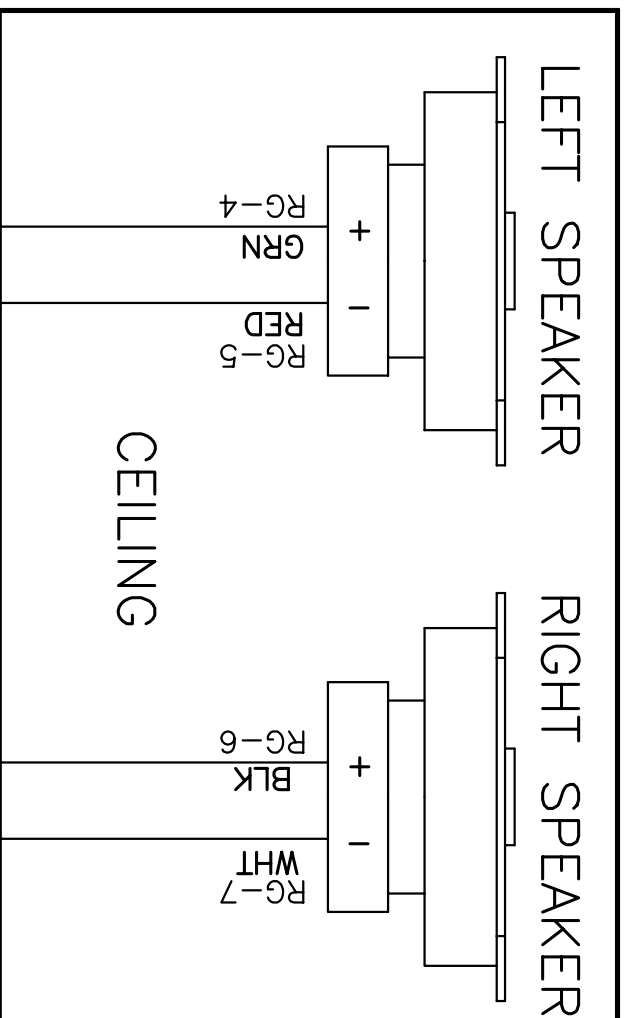
NOTE:
1. LONG WHITE WIRE OF
HARNES GOES TO THE TOP

26470-01
26456-01

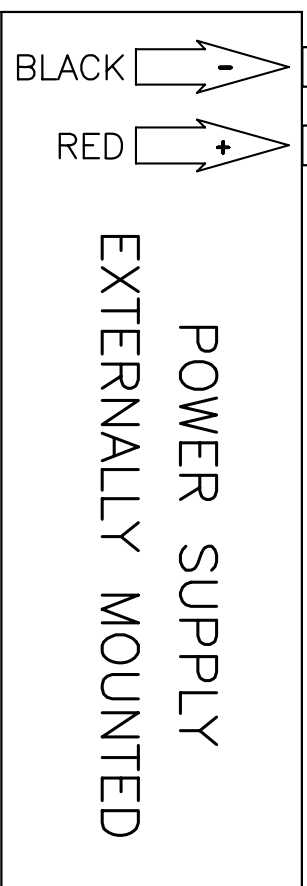
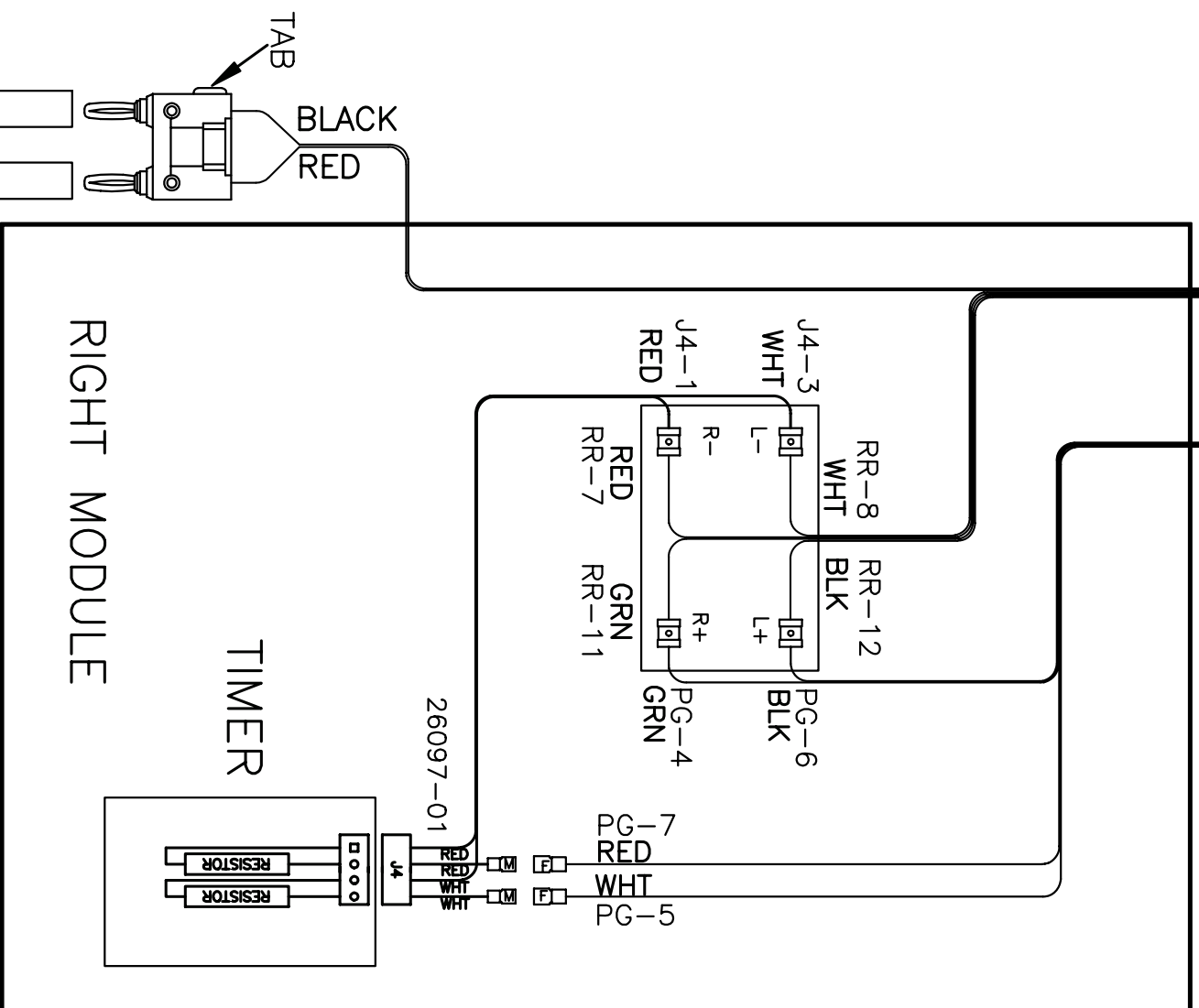
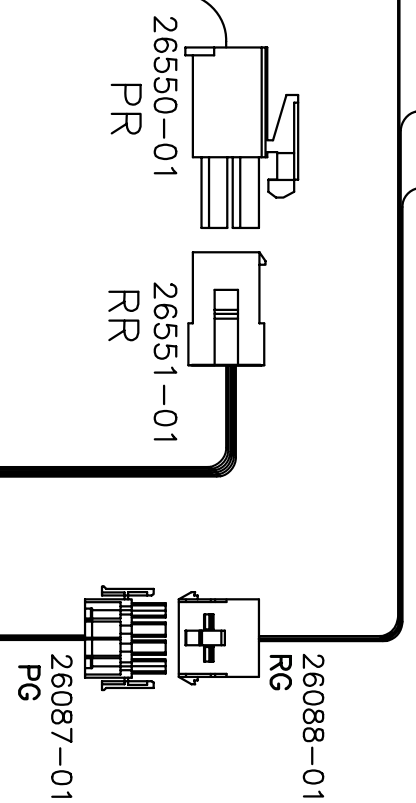
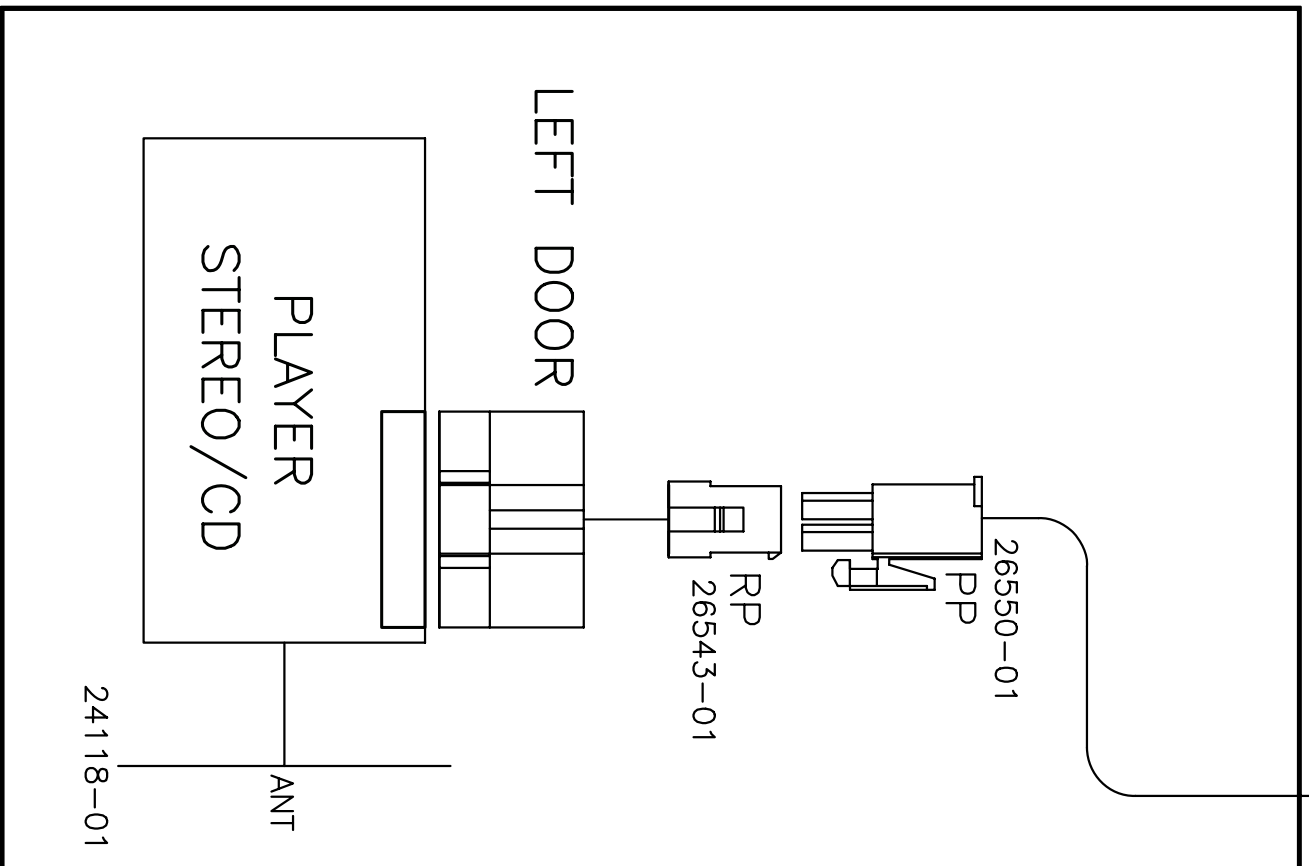


AUDIO SYSTEM FOR ELITE 652V MODELS 26696-01, REV A

WARNING: ALTERING THE DESIGN, TIMER SYSTEM, OR WIRING FROM THAT SHOWN HEREIN, WILL VOID THE WARRANTY, AND MAY RESULT IN A VIOLATION OF FEDERAL LAW.



FUNCTION	RP	PP/PR/RR
BATTERY -	BLK-1	BLK-1
BATTERY +	YEL-4	YEL-4
ACCESSORY	RED-4	RED-4
SPKR L. REAR	GRN/BLK-5	
SPKR L. REAR	GRN-9	
SPKR R. REAR	VO/BLK-6	
SPKR R. REAR	VO-10	
SPKR R. FRONT	GRY/BLK-7	RED-7
SPKR R. FRONT	GRY-11	GRN-11
SPKR L. FRONT	WHT/BLK-8	WHT-8
SPKR L. FRONT	WHT-12	BLK-12



POWER SUPPLY

EXTERNALLY MOUNTED

