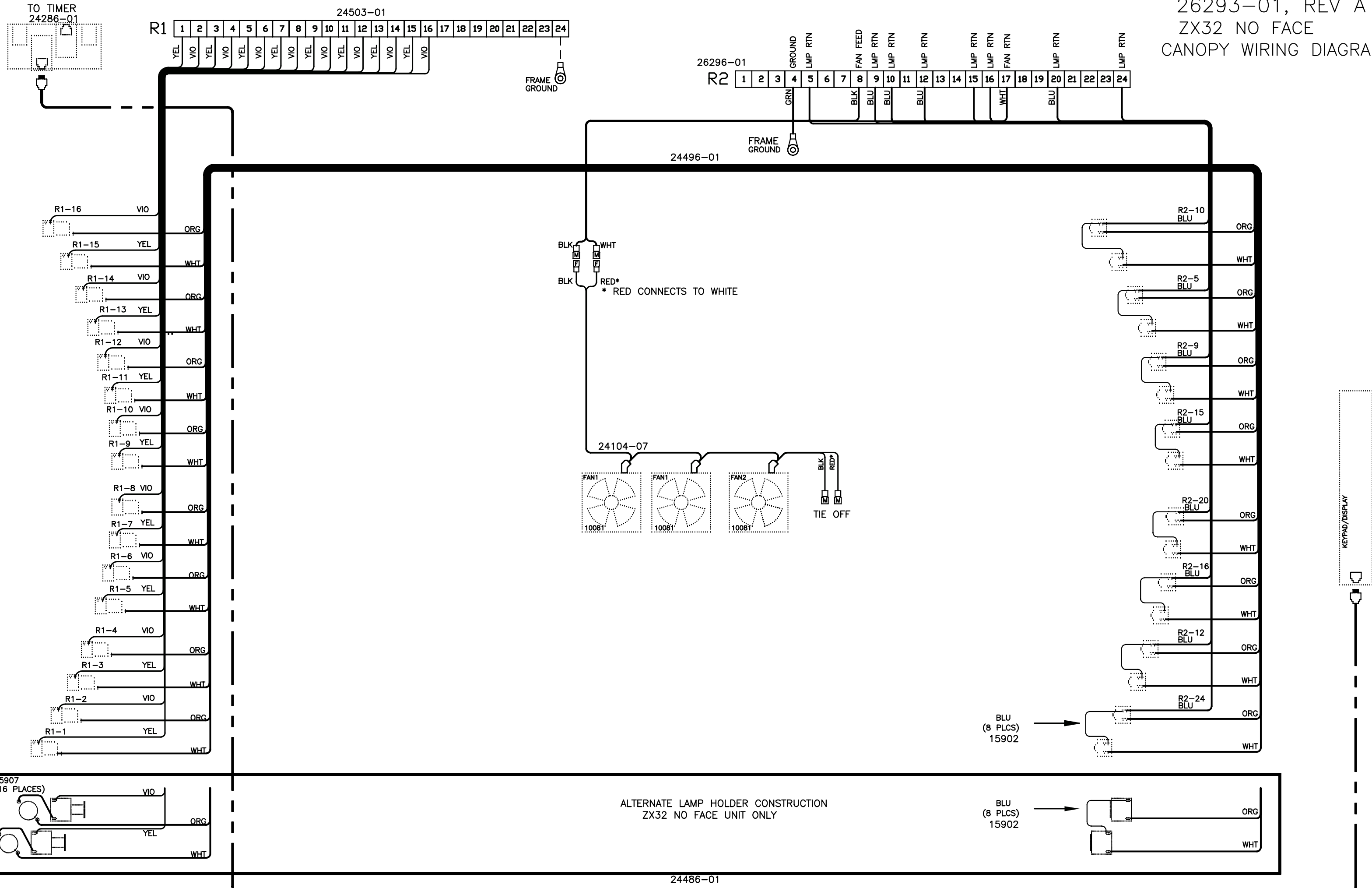


26293-01, REV A
 ZX32 NO FACE
 CANOPY WIRING DIAGRAM



24503-01

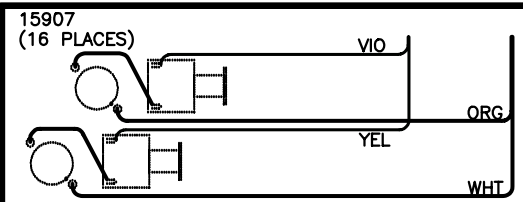
R1	1	2	3	4	5	6	7	8	9	10	11	12	13	14	15	16	17	18	19	20	21	22	23	24	
	YEL	VIO	YEL	VIO	YEL	VIO	YEL	VIO	YEL	VIO	YEL	VIO	YEL	VIO	YEL	VIO									

26296-01

R2	1	2	3	4	5	6	7	8	9	10	11	12	13	14	15	16	17	18	19	20	21	22	23	24
	GRN			GROUND	LMP RTN			BLK	FAN FEED	BLU	LMP RTN	BLU	LMP RTN	BLU	LMP RTN	WHT	FAN RTN			BLU	LMP RTN			

- R1-16 VIO
- R1-15 YEL
- R1-14 VIO
- R1-13 YEL
- R1-12 VIO
- R1-11 YEL
- R1-10 VIO
- R1-9 YEL
- R1-8 VIO
- R1-7 YEL
- R1-6 VIO
- R1-5 YEL
- R1-4 VIO
- R1-3 YEL
- R1-2 VIO
- R1-1 YEL

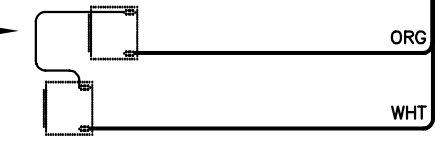
- R2-10 BLU
- R2-5 BLU
- R2-9 BLU
- R2-15 BLU
- R2-20 BLU
- R2-16 BLU
- R2-12 BLU
- R2-24 BLU



ALTERNATE LAMP HOLDER CONSTRUCTION
 ZX32 NO FACE UNIT ONLY

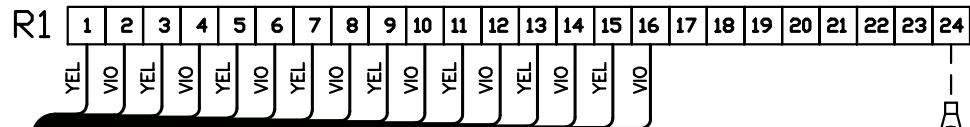
BLU (8 PLCS)
 15902

BLU (8 PLCS)
 15902

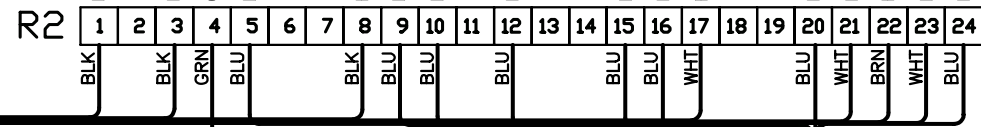


TO TIMER
24286-01

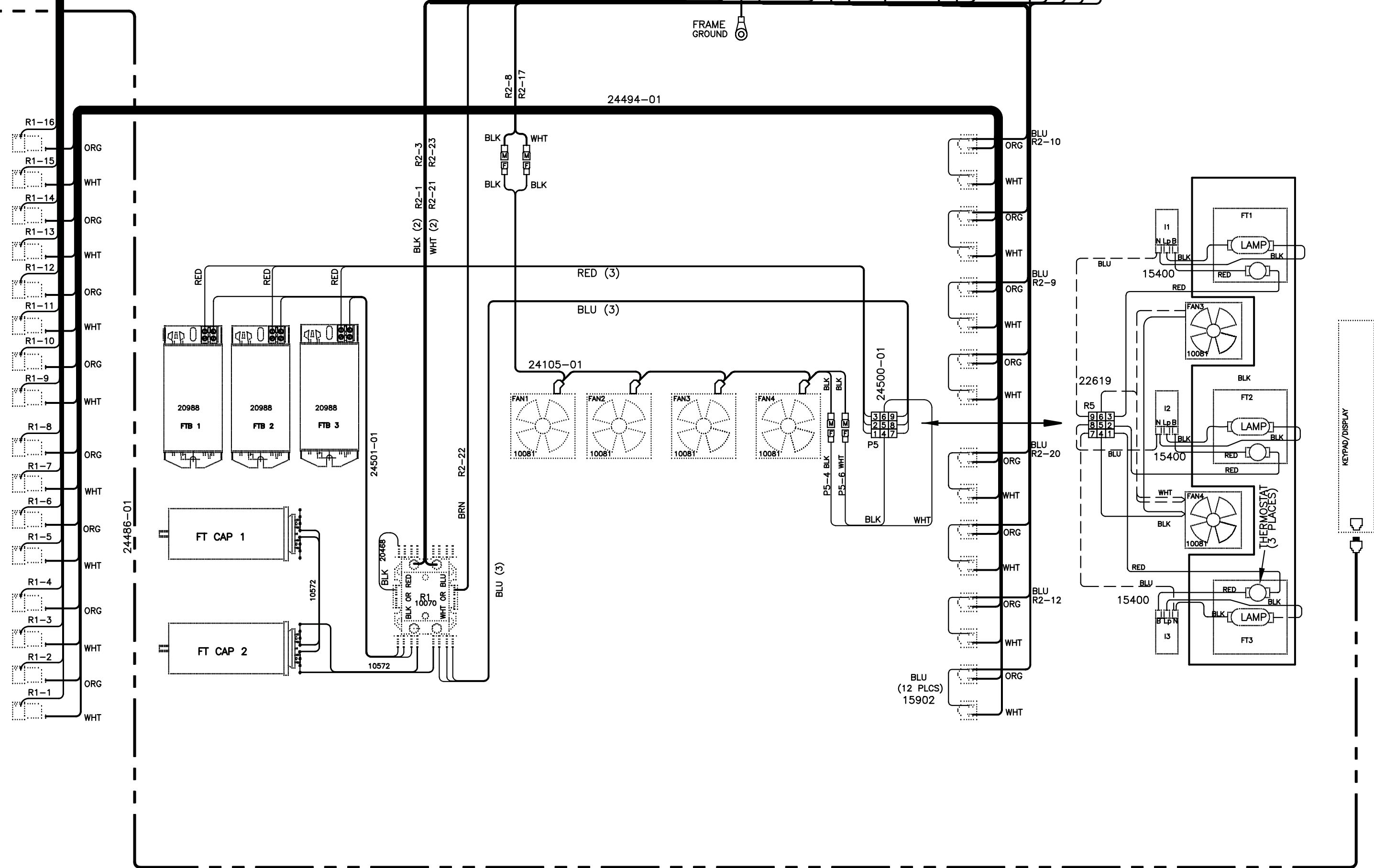
24498-01



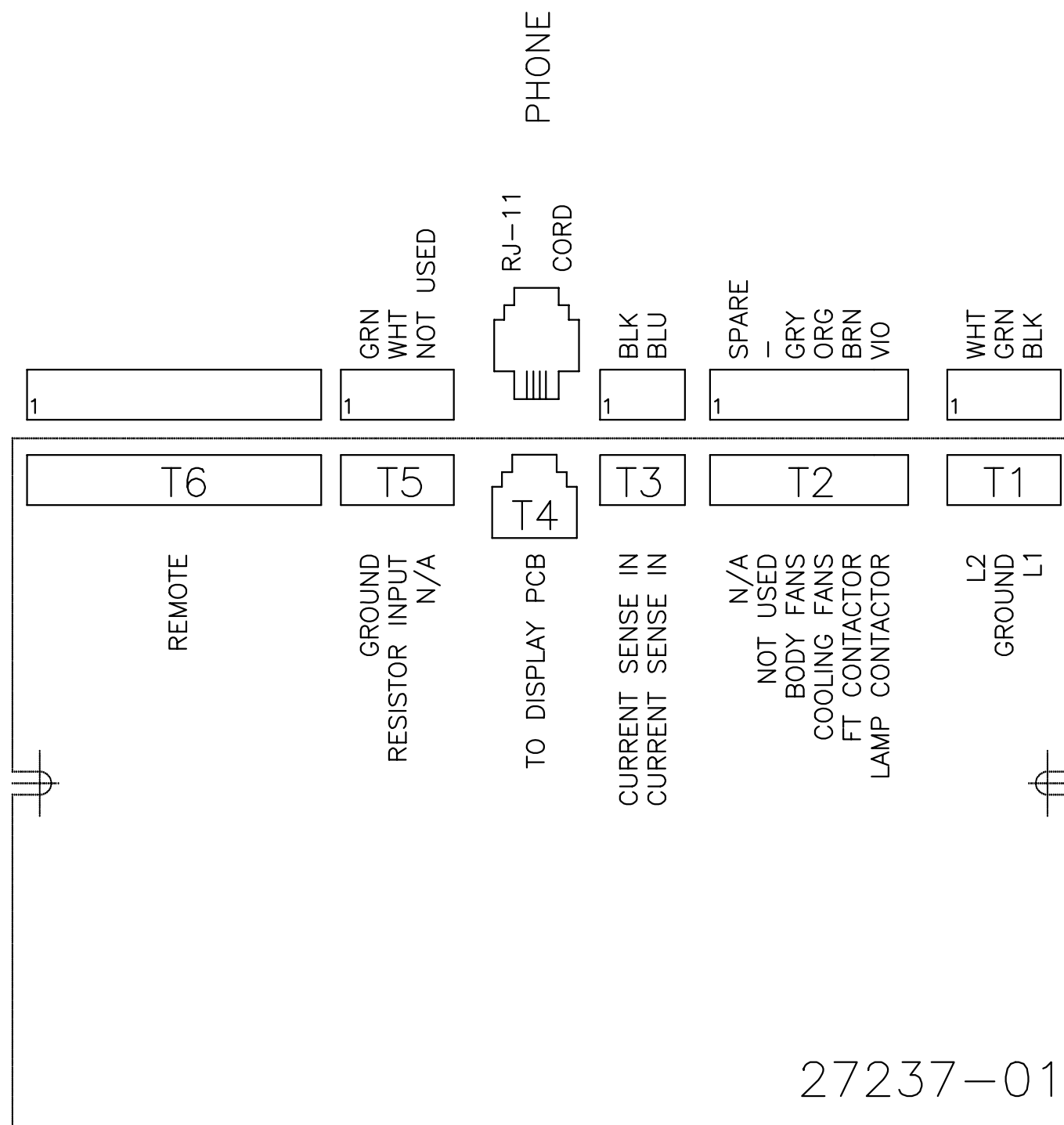
26295-01



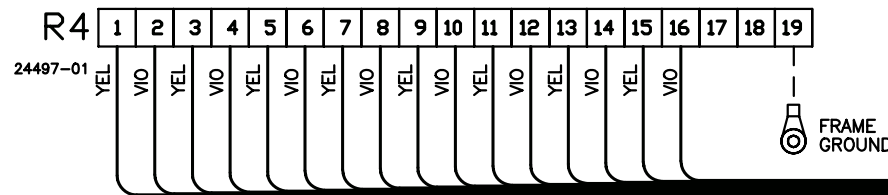
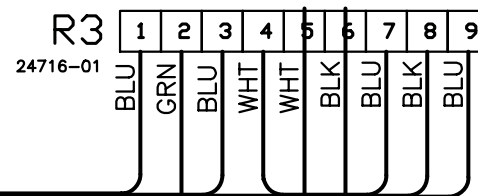
26293-01, REV A ZX32 3 FACE CANOPY WIRING DIAGRAM



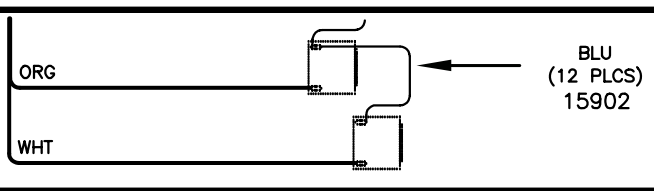
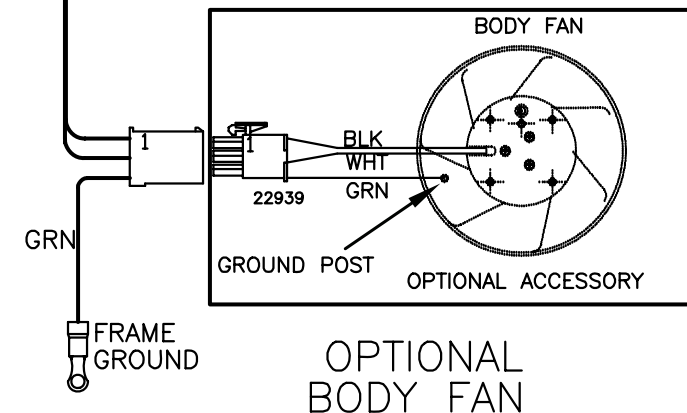
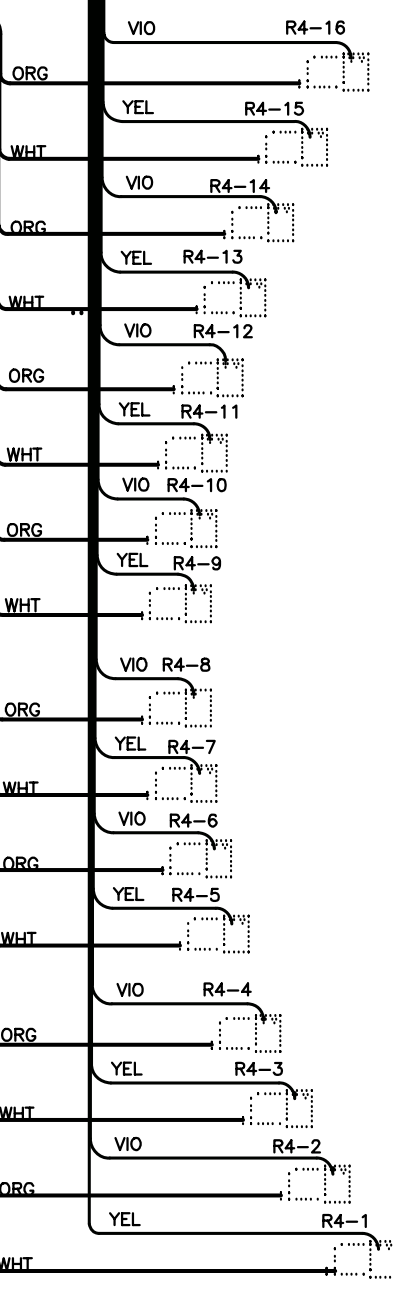
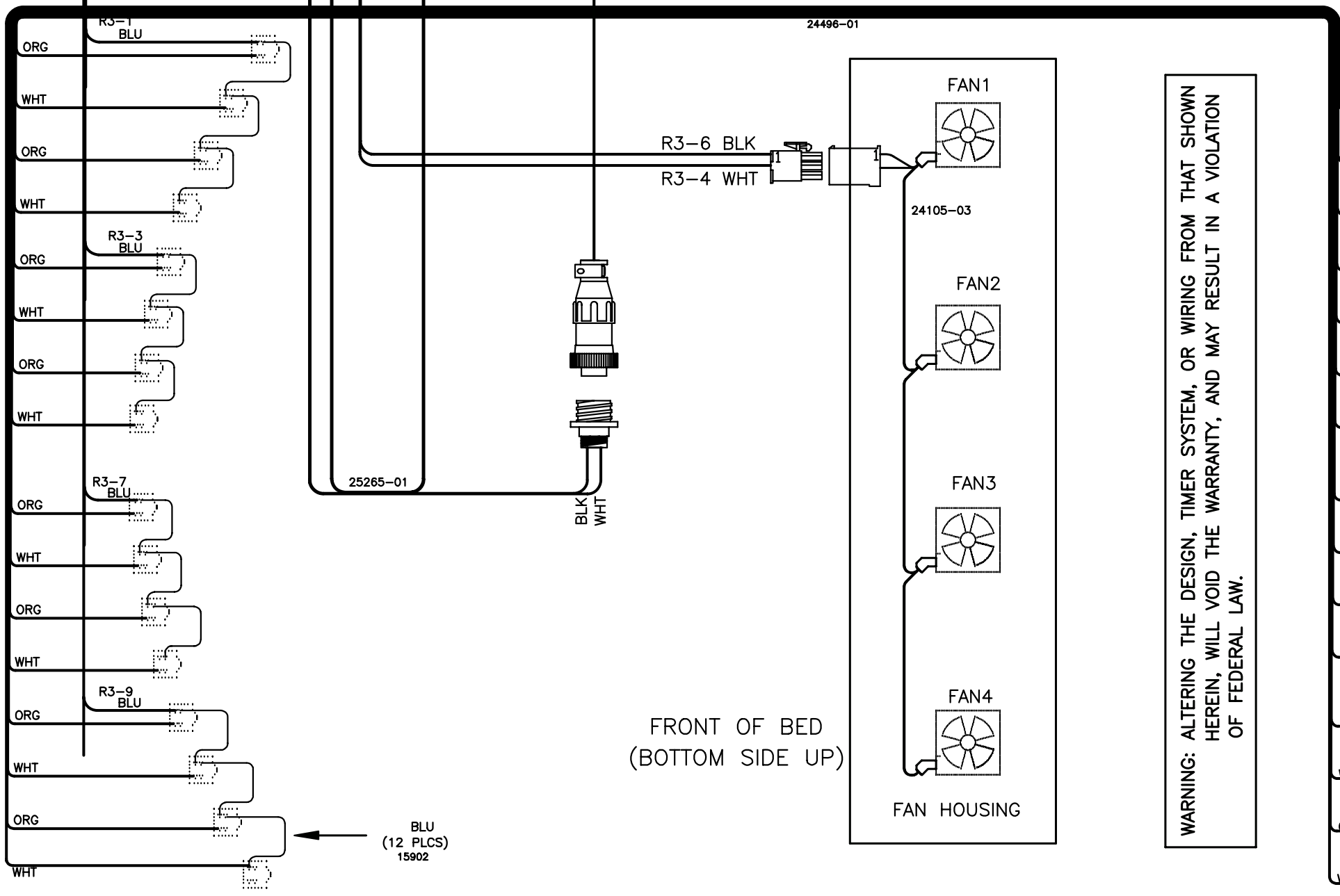
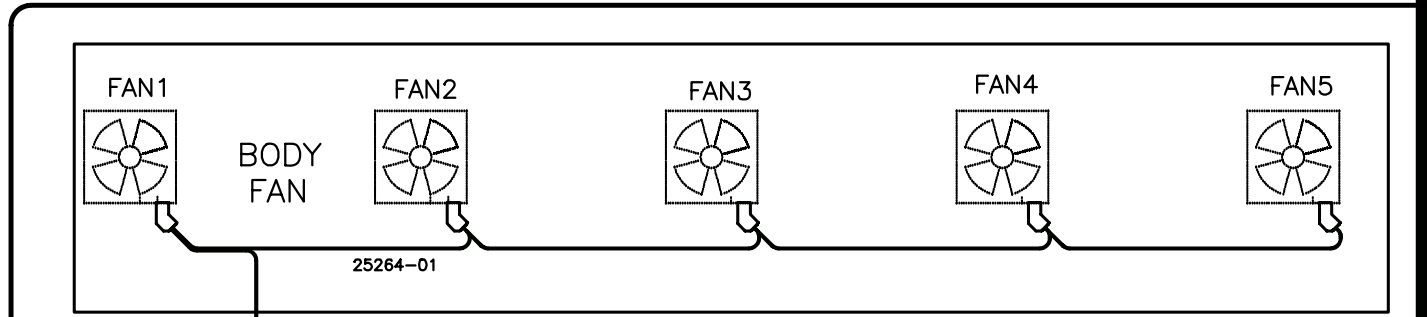
KEYPAD/DISPLAY



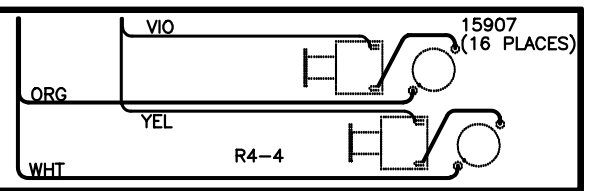
ELECTRONIC TIMER
CONNECTOR DIAGRAM

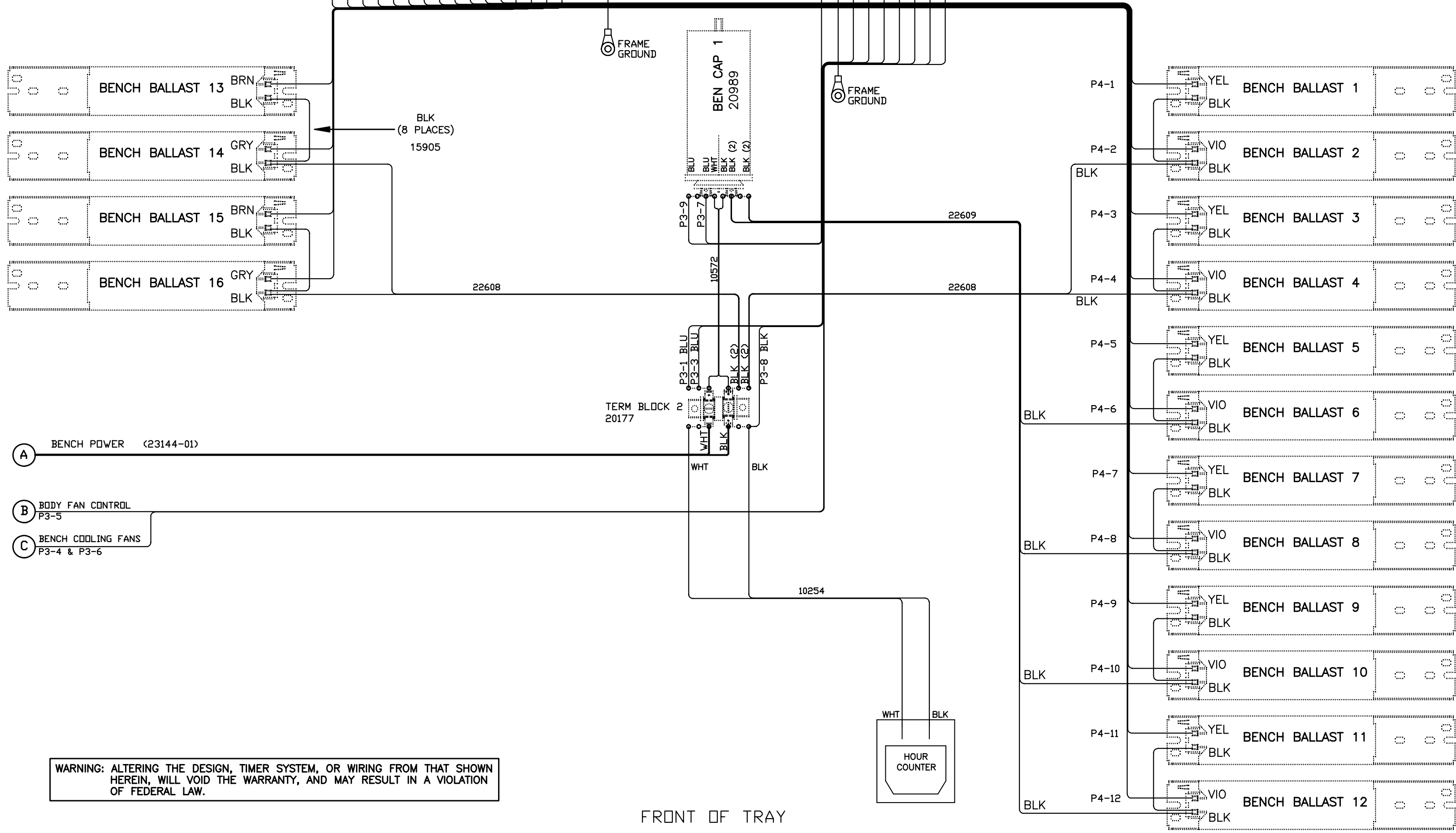
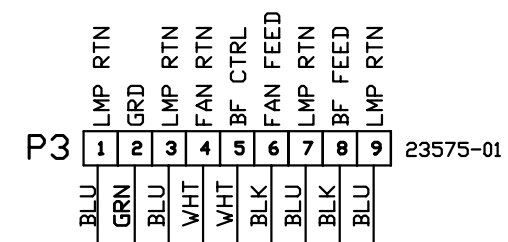
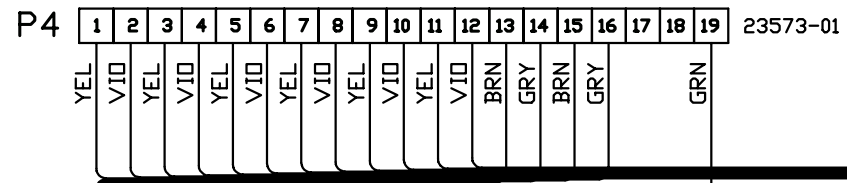


PIN #	R3 FUNCTIONS
1	LAMP RETURN 1
2	GROUND
3	LAMP RETURN 2
4	FAN RETURN
5	BODY FAN CONTROL
6	FAN FEED
7	LAMP RETURN 3
8	BODY FAN RTN
9	LAMP RETURN 4



ALTERNATE LAMP HOLDER CONSTRUCTION
ZX32 NO FACE UNIT ONLY

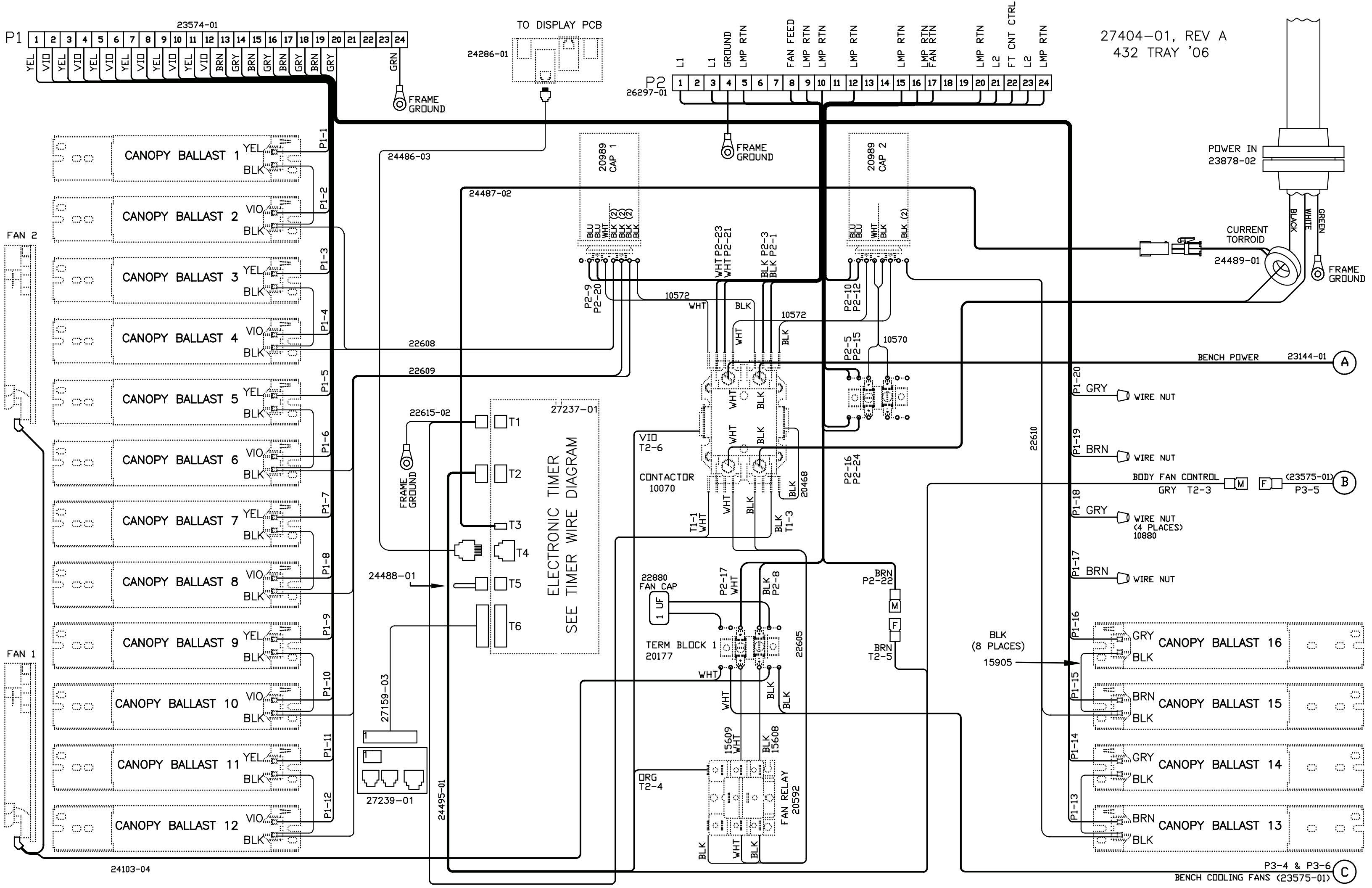




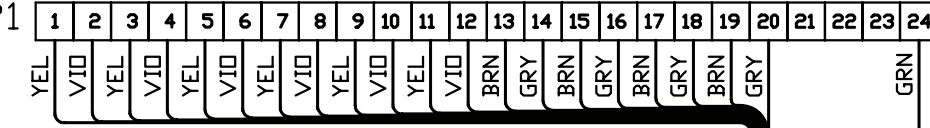
- (A) BENCH POWER (23144-01)
- (B) BODY FAN CONTROL P3-5
- (C) BENCH COOLING FANS P3-4 & P3-6

WARNING: ALTERING THE DESIGN, TIMER SYSTEM, OR WIRING FROM THAT SHOWN HEREIN, WILL VOID THE WARRANTY, AND MAY RESULT IN A VIOLATION OF FEDERAL LAW.

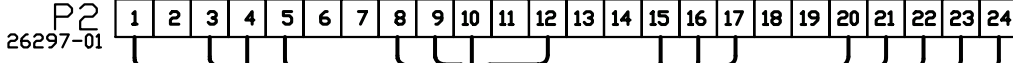
FRONT OF TRAY



23574-01



TO DISPLAY PCB



27404-01, REV A
432 TRAY '06

ELECTRONIC TIMER
SEE TIMER WIRE DIAGRAM