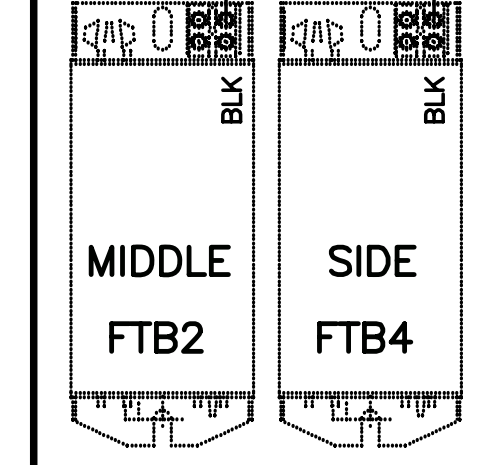
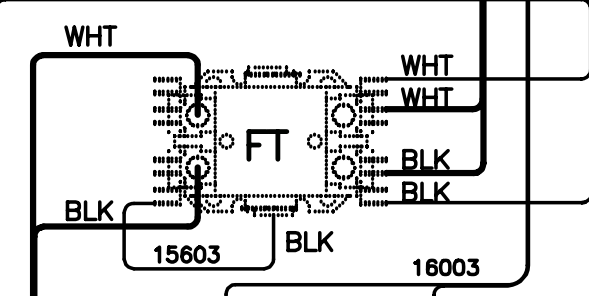
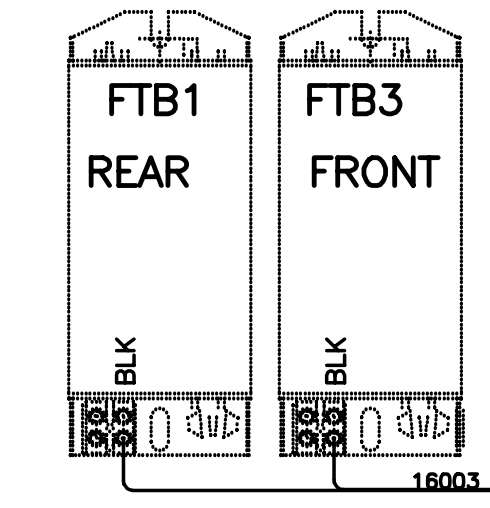
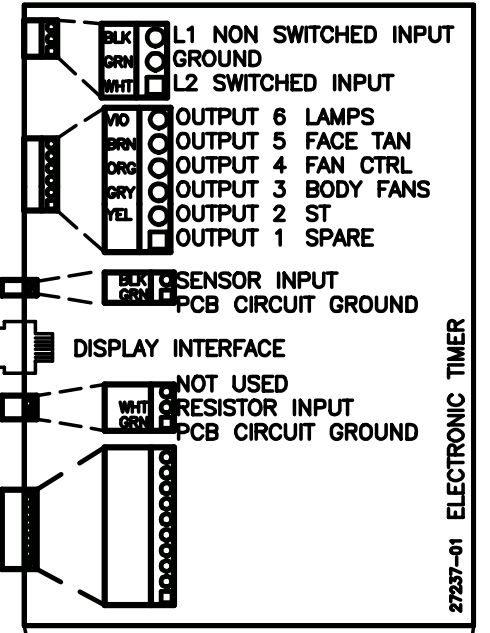


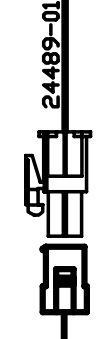
TO TIMER
24286-01

POWER IN
23878-05

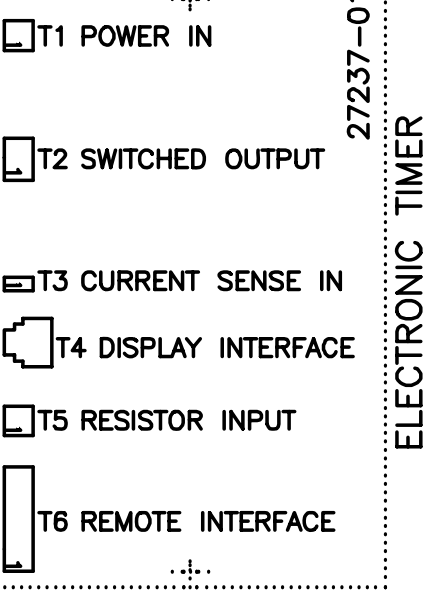
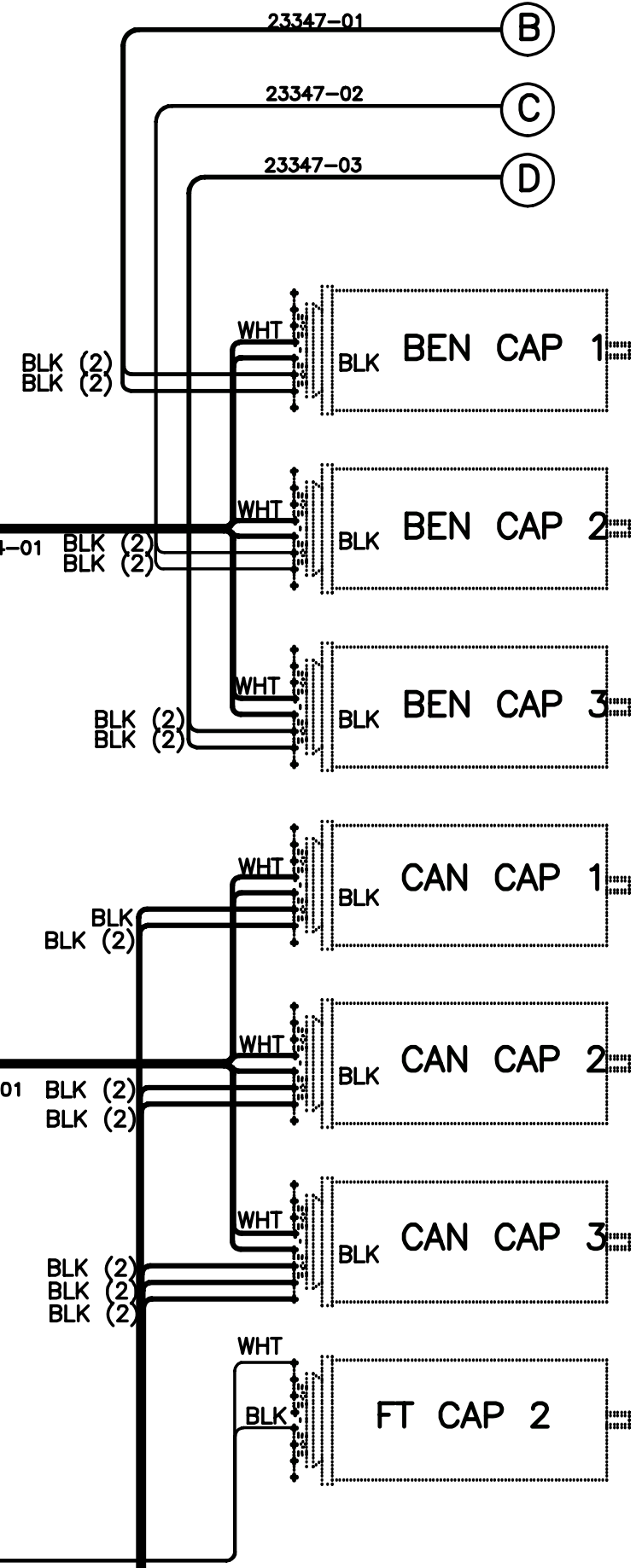
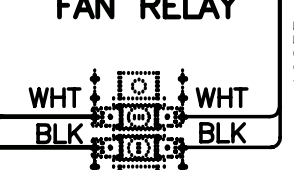
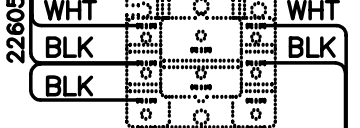
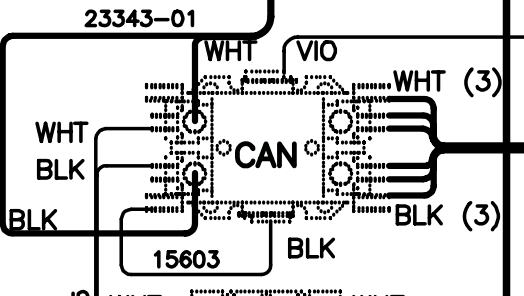
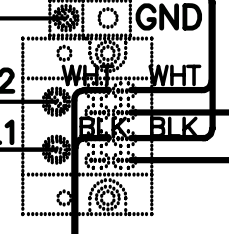
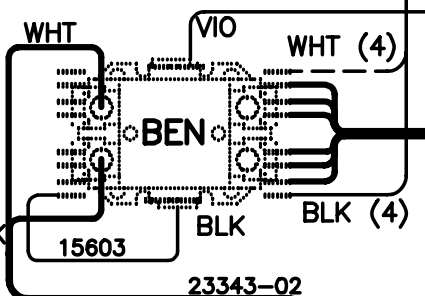
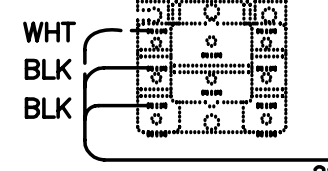
27400-01, REV A '06
TRAY TOP
548 SERIES



CURRENT TORROID



SHOULDER TANNER (ST) RELAY



24486-03

24488-03

27159-02

27239-01

27237-01

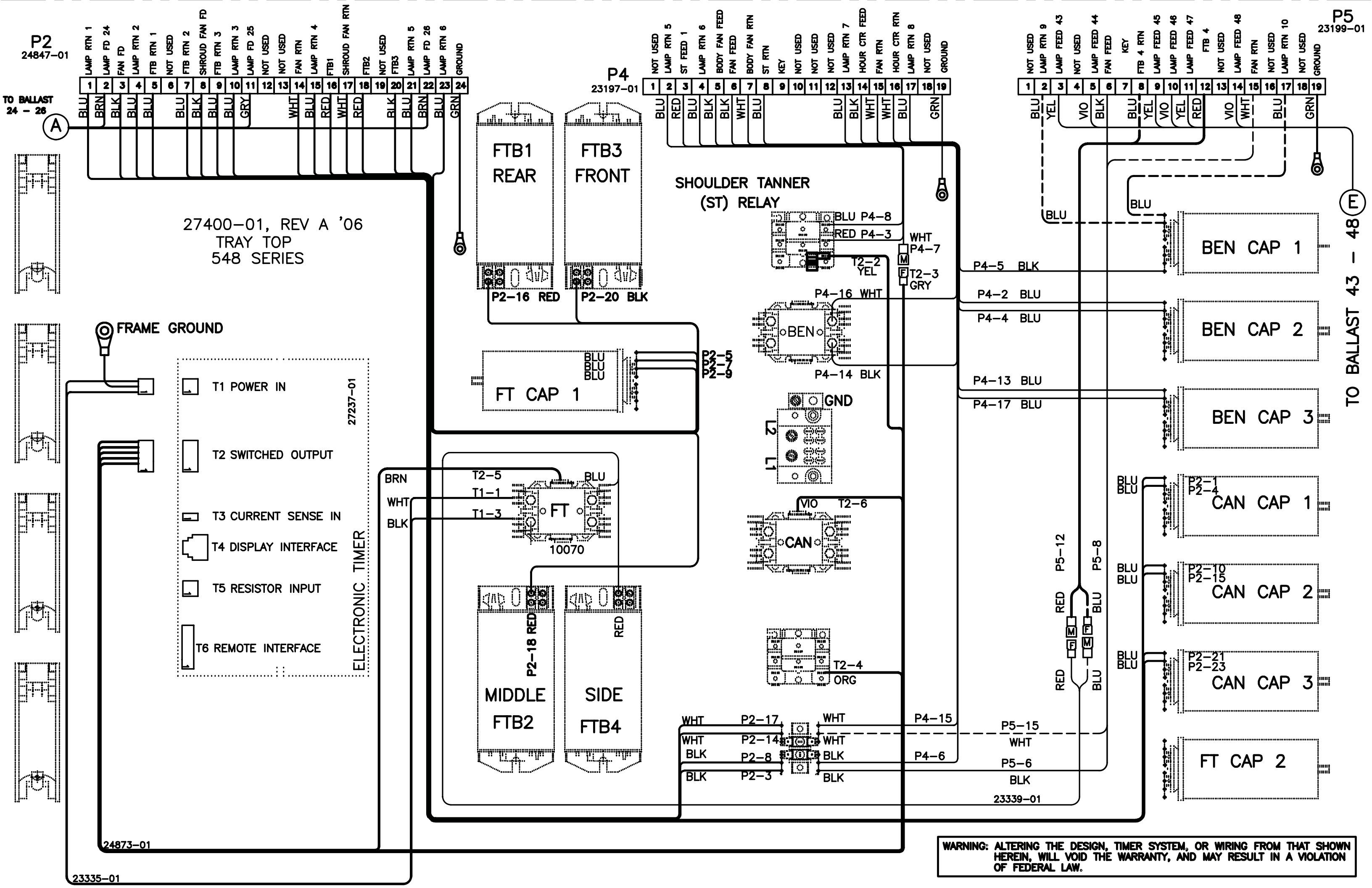
ELECTRONIC TIMER

ELECTRONIC TIMER

24487-01

24105-04

F

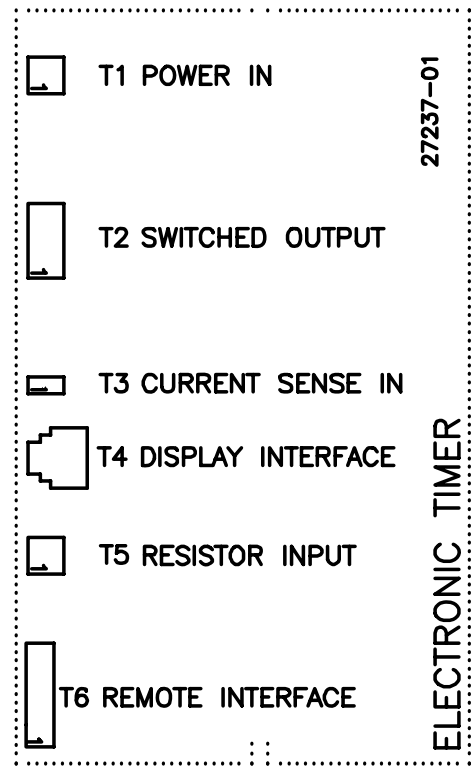


P2
24847-01

P4
23197-01

P5
23199-01

27400-01, REV A '06
TRAY TOP
548 SERIES



WARNING: ALTERING THE DESIGN, TIMER SYSTEM, OR WIRING FROM THAT SHOWN HEREIN, WILL VOID THE WARRANTY, AND MAY RESULT IN A VIOLATION OF FEDERAL LAW.

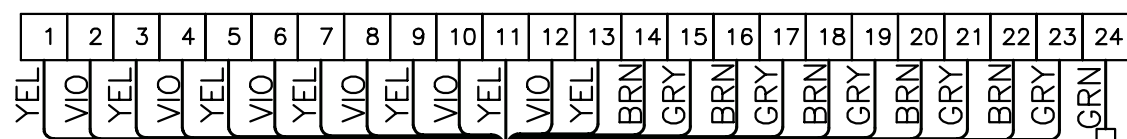
24873-01

23335-01

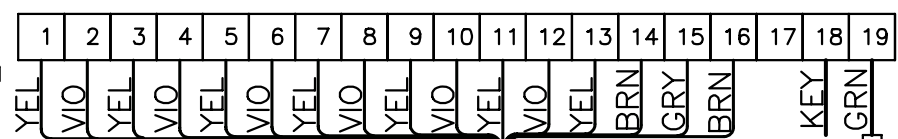
23339-01

TO BALLAST 43 - 48 (F)

P1
23196-01



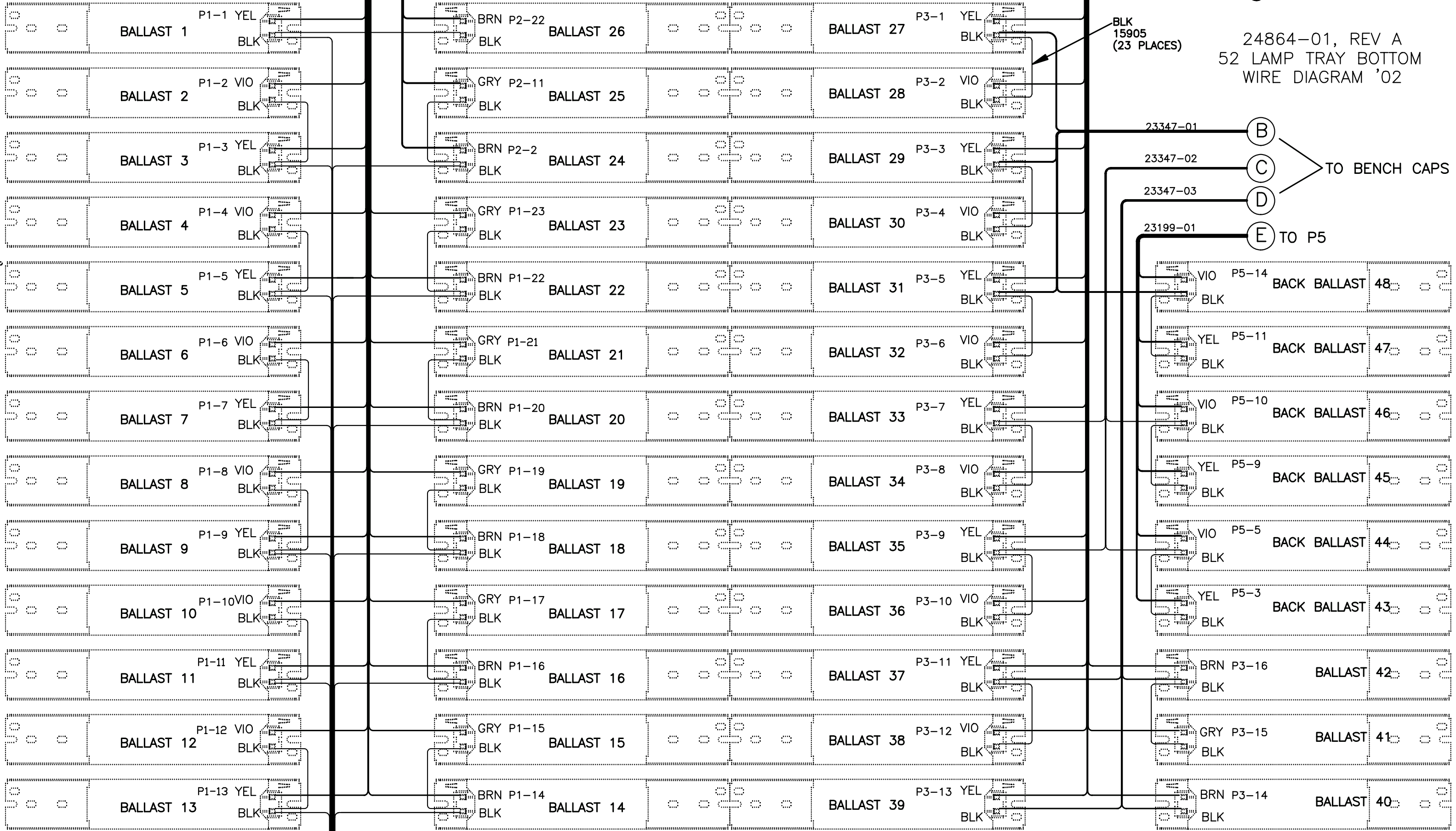
P3
23195-01



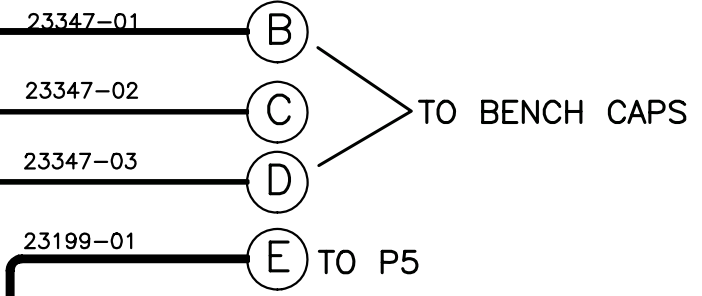
TO P2 (A) 24847-01

○ FRAME GROUND

○ FRAME GROUND



24864-01, REV A
52 LAMP TRAY BOTTOM
WIRE DIAGRAM '02



24510-01 (F) TO CANOPY CAPS

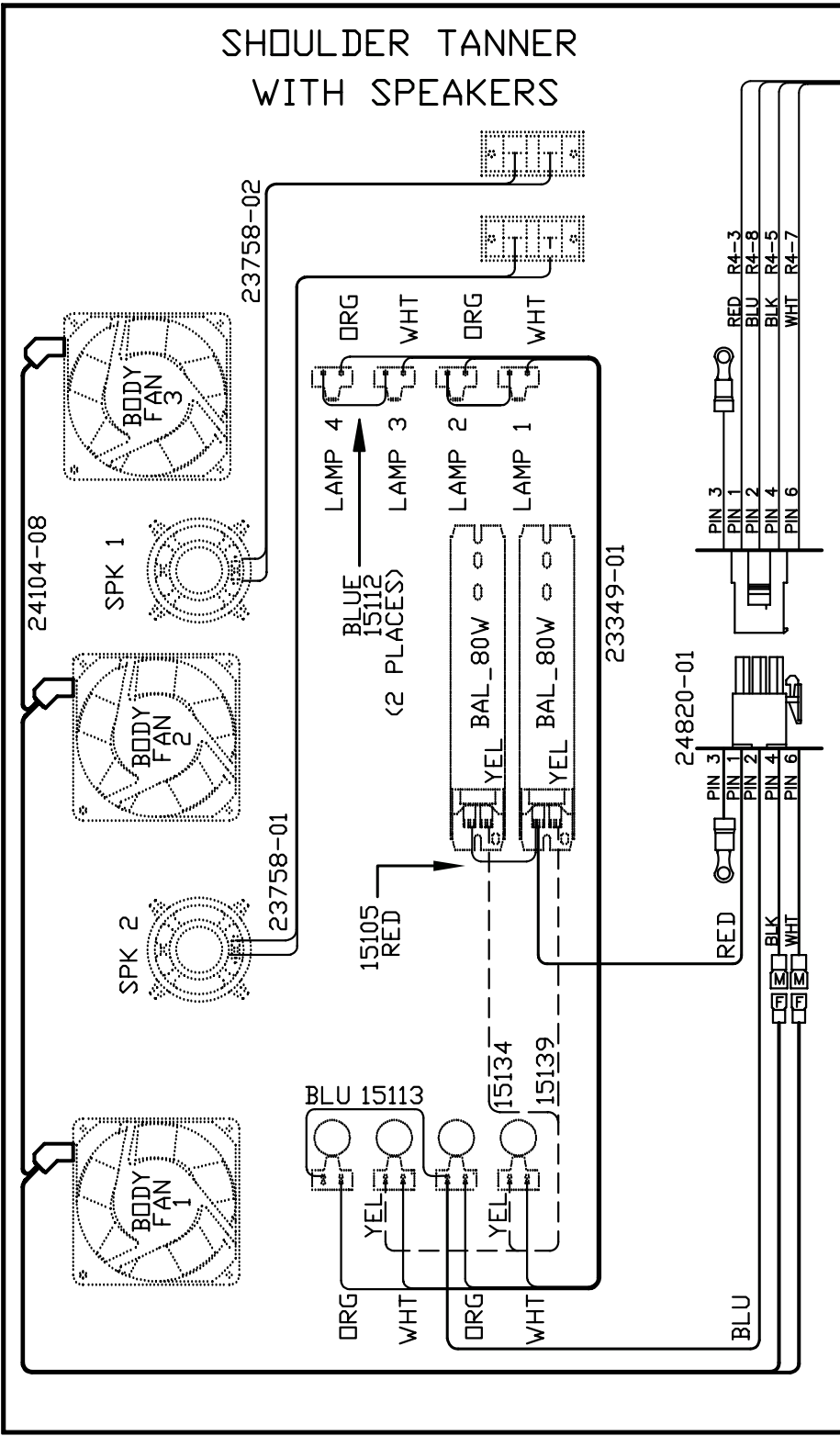
R3
23348-01

1	2	3	4	5	6	7	8	9	10	11	12	13	14	15	16	17	18	19
YEL	VIO	YEL	VIO	YEL	VIO	YEL	VIO	YEL	VIO	YEL	VIO	YEL	VIO	YEL	VIO	GRN		

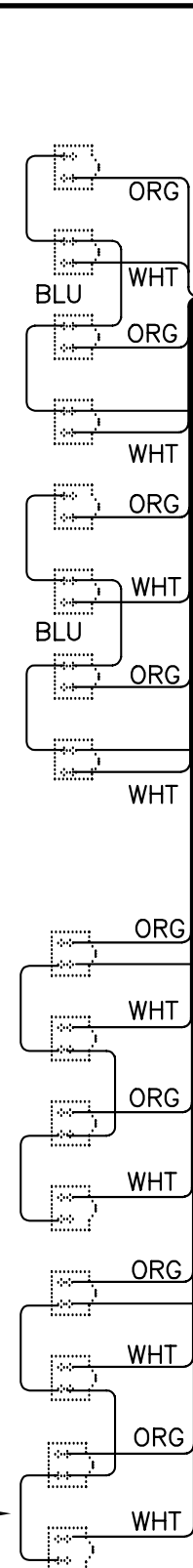
1	2	3	4	5	6	7	8	9	10	11	12	13	14	15	16	17	18	19
BLU	RED	BLU	BLK	BLK	WHT	BLU						BLU	BLK	WHT	WHT	BLU	GRN	
NOT USED	LAMP RTN	ST FEED	LAMP RTN	B FAN FEED	FAN FEED	B FAN RTN	ST RTN	KEY	NOT USED	NOT USED	NOT USED	LAMP RTN	H CTR FEED	FAN RTN	H CTR RTN	LAMP RTN	NOT USED	GROUND

R4
24817-01

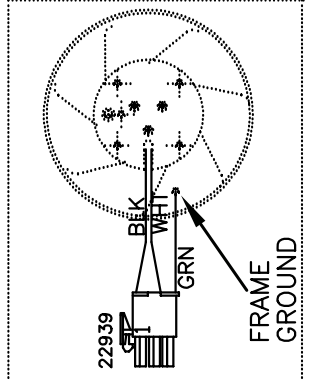
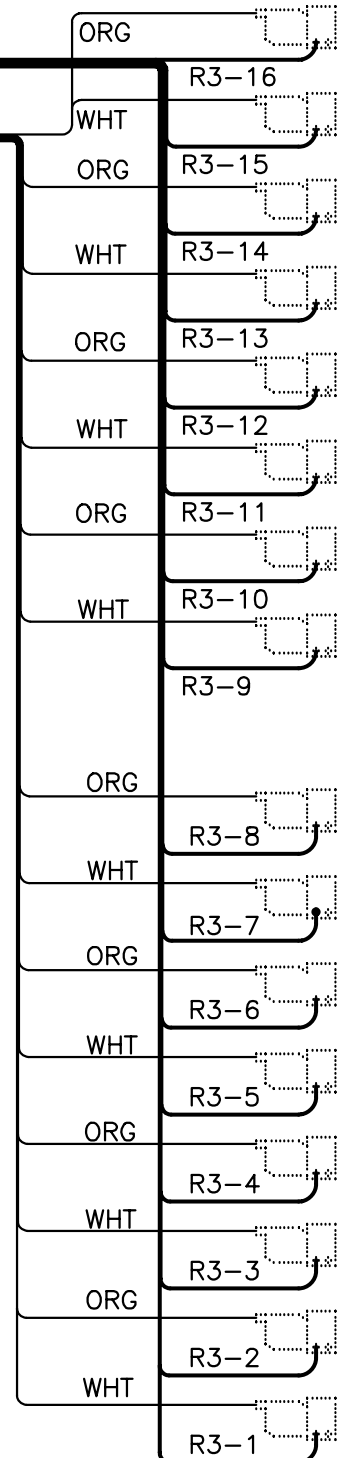
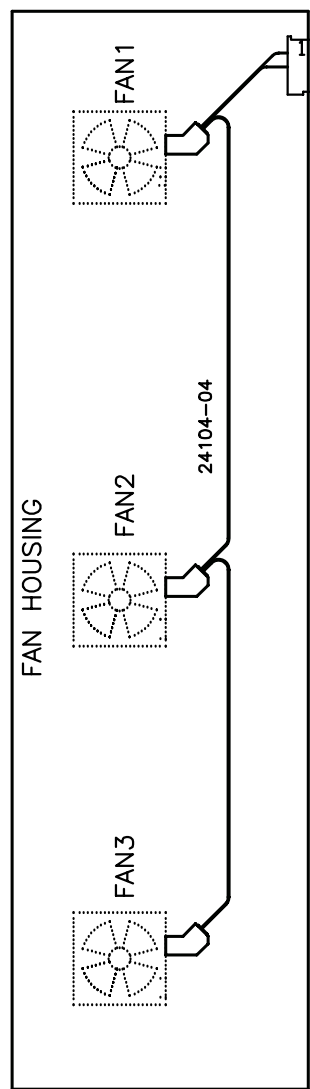
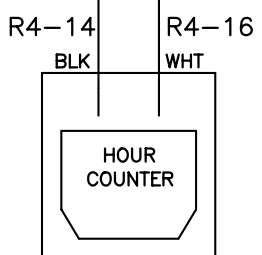
SHOULDER TANNER
WITH SPEAKERS



15902
BLU
12 PLACES



R4-2
R4-4
R4-13
R4-17

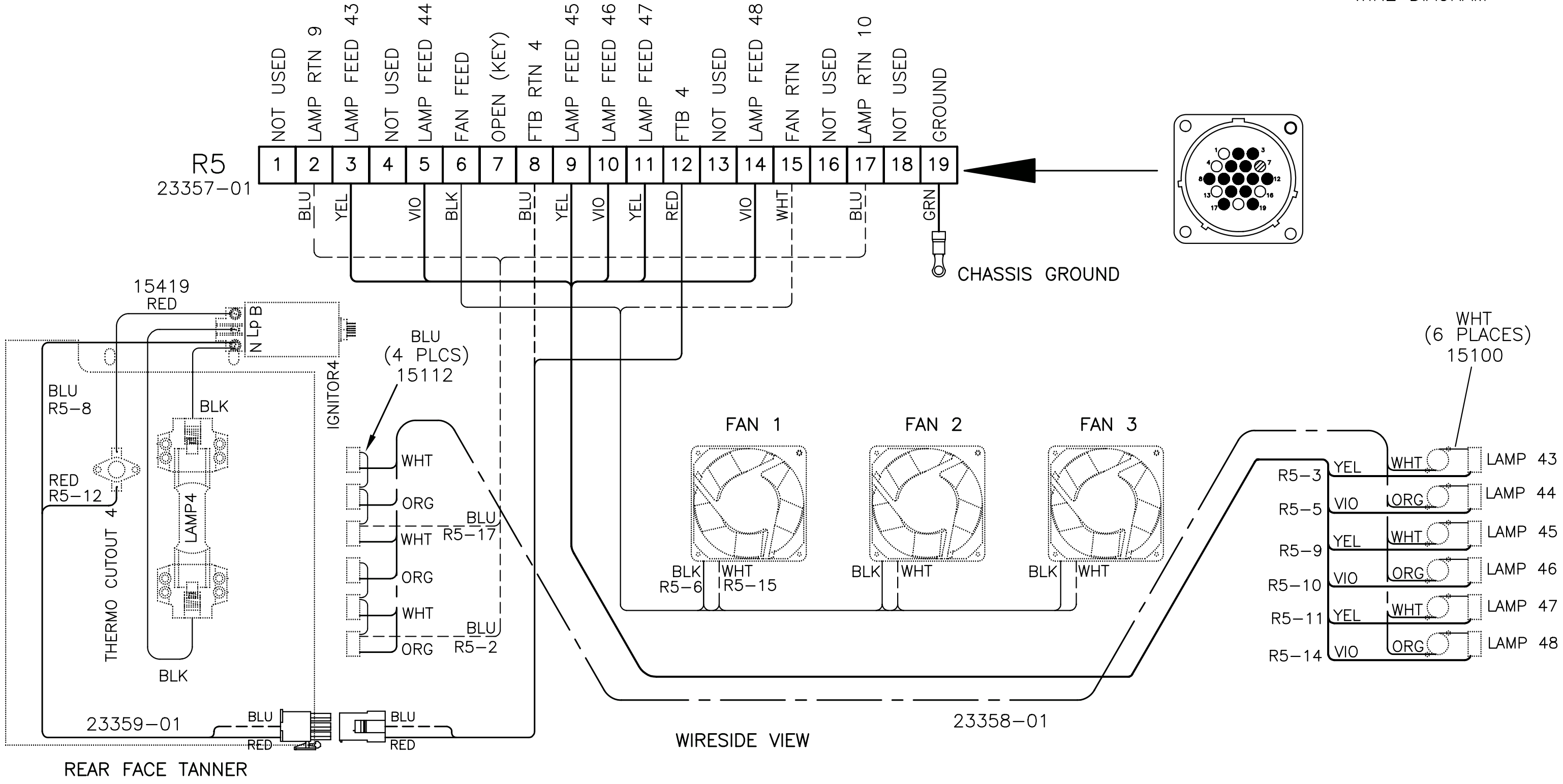


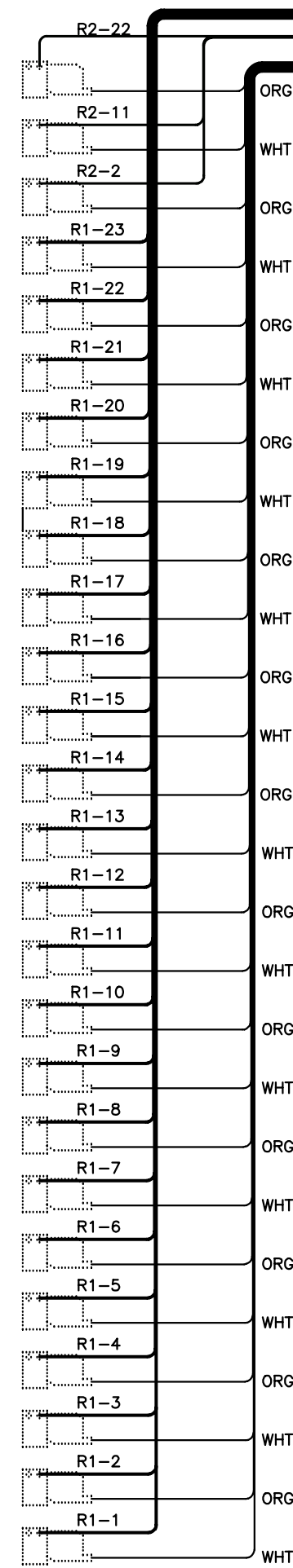
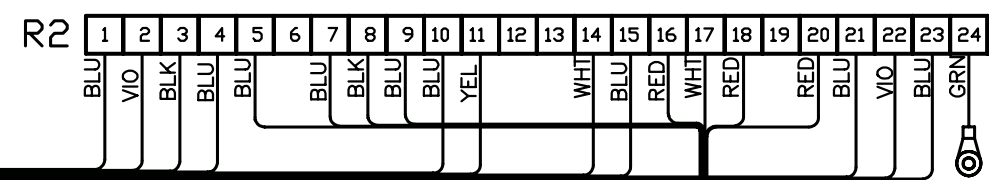
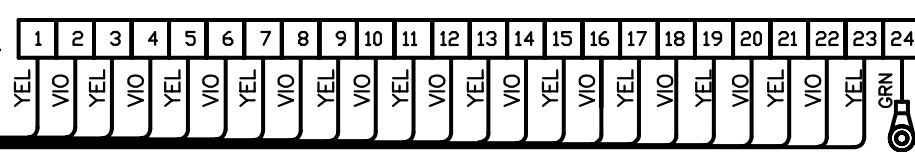
24864-01, REV A
52 LAMP
BENCH UNITS &
SHOULDER TANNER

FRONT OF BED
(BOTTOM SIDE UP)

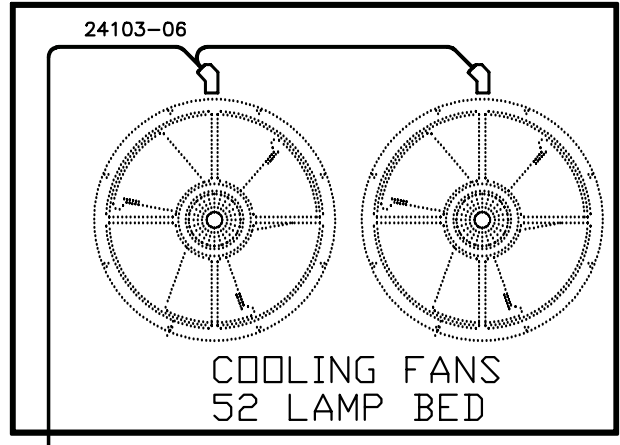
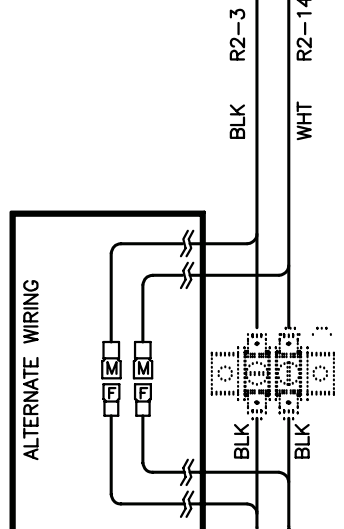
WARNING: ALTERING THE DESIGN, TIMER SYSTEM, OR WIRING FROM THAT SHOWN HEREIN, WILL VOID THE WARRANTY, AND MAY RESULT IN A VIOLATION OF FEDERAL LAW.

24863-01, REV A
 BACK LAMP SECTION
 WIRE DIAGRAM





24872-01



R2 PIN NO.	FUNCTION	P5 PIN NO.
1	LAMP RTN 1	-
2	LAMP FEED 24	-
3	FAN FEED	-
4	LAMP RTN 2	-
5	FTB RTN 1	7
6	NOT USED	-
7	FTB RTN 2	8
8	SHROUD FAN FEED	4
9	FTB RTN 3	9
10	LAMP RTN 3	-
11	LAMP FEED 25	-
12	NOT USED	-
13	NOT USED	-
14	FAN RTN	-
15	LAMP RTN 4	-
16	FTB1	1
17	SHROUD FAN RTN	6
18	FTB2	3
19	NOT USED	-
20	FTB3	2
21	LAMP RTN 5	-
22	LAMP FEED 26	-
23	LAMP RTN 6	-
24	GROUND	-

24863-01, REV A
BACK LAMP SECTION
WIRE DIAGRAM

FRONT OF BED

WARNING: ALTERING THE DESIGN, TIMER SYSTEM, OR WIRING FROM THAT SHOWN HEREIN, WILL VOID THE WARRANTY, AND MAY RESULT IN A VIOLATION OF FEDERAL LAW.

