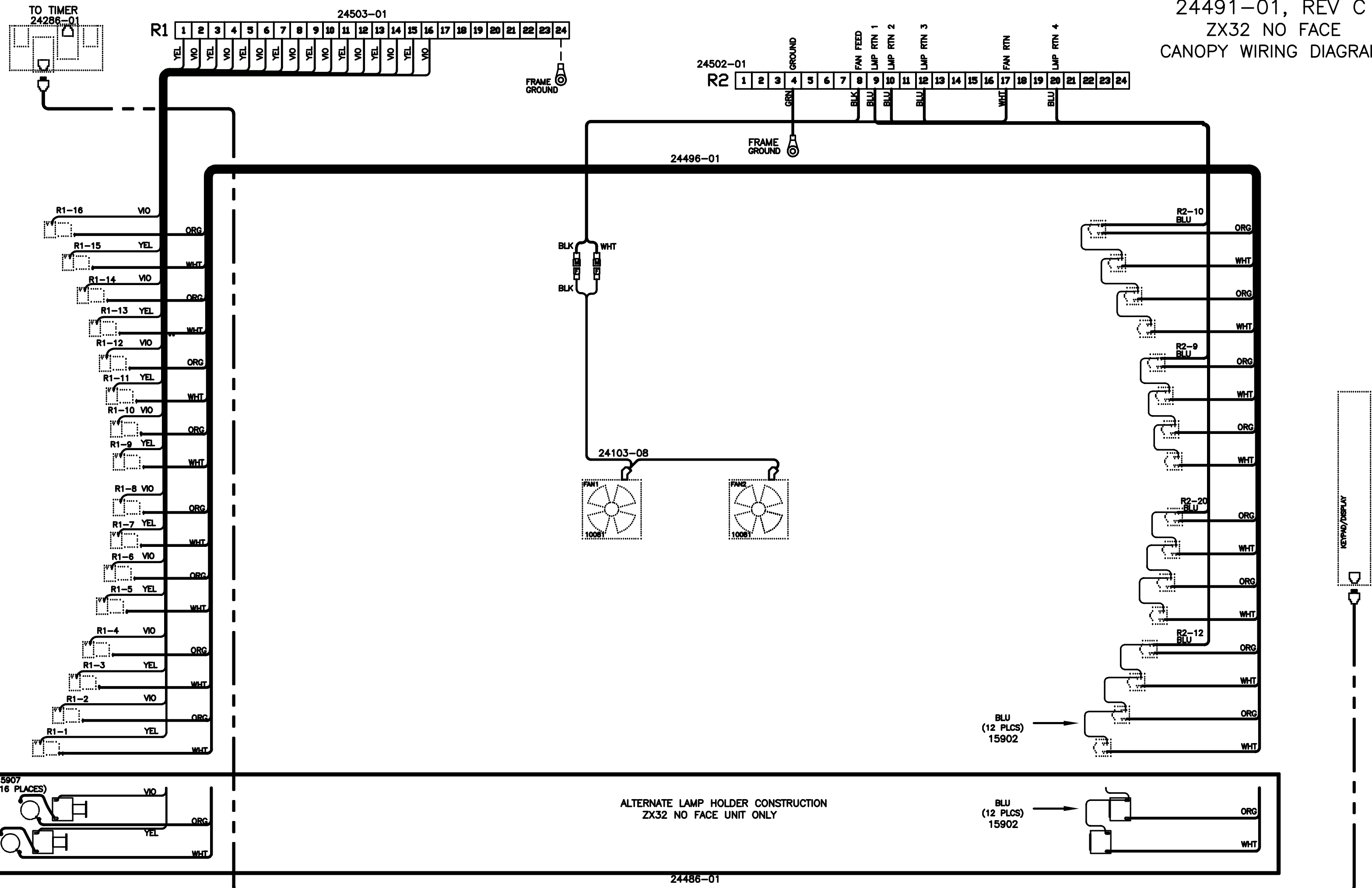


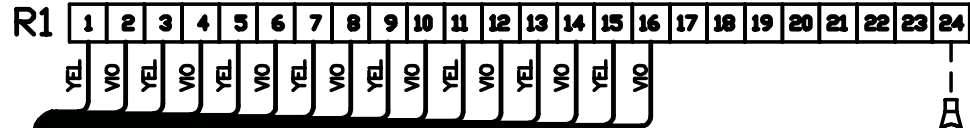
24491-01, REV C
 ZX32 NO FACE
 CANOPY WIRING DIAGRAM



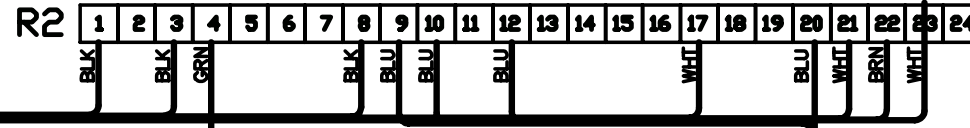
ALTERNATE LAMP HOLDER CONSTRUCTION
 ZX32 NO FACE UNIT ONLY

TO TIMER
24286-01

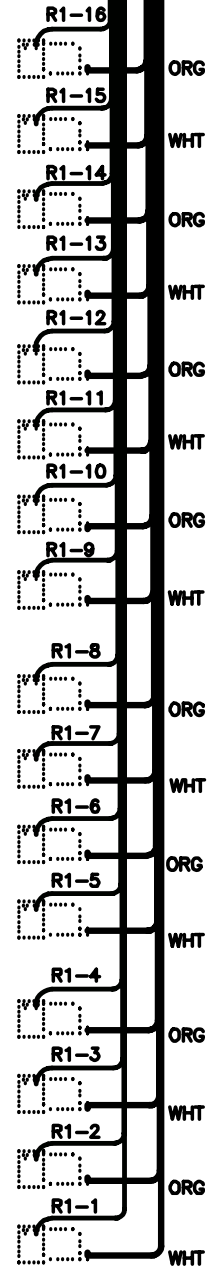
24498-01



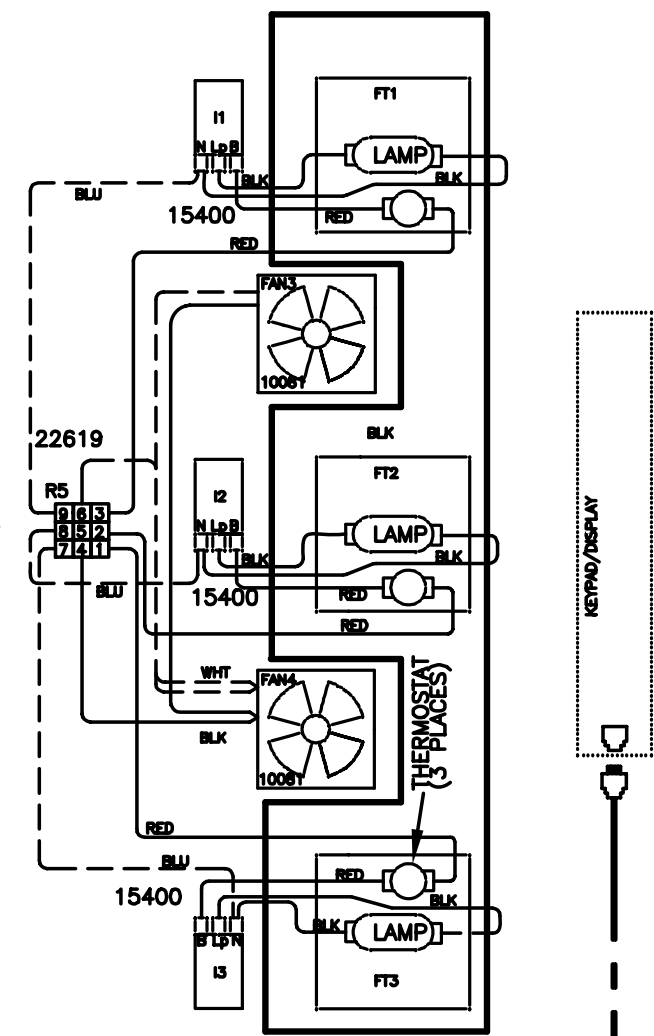
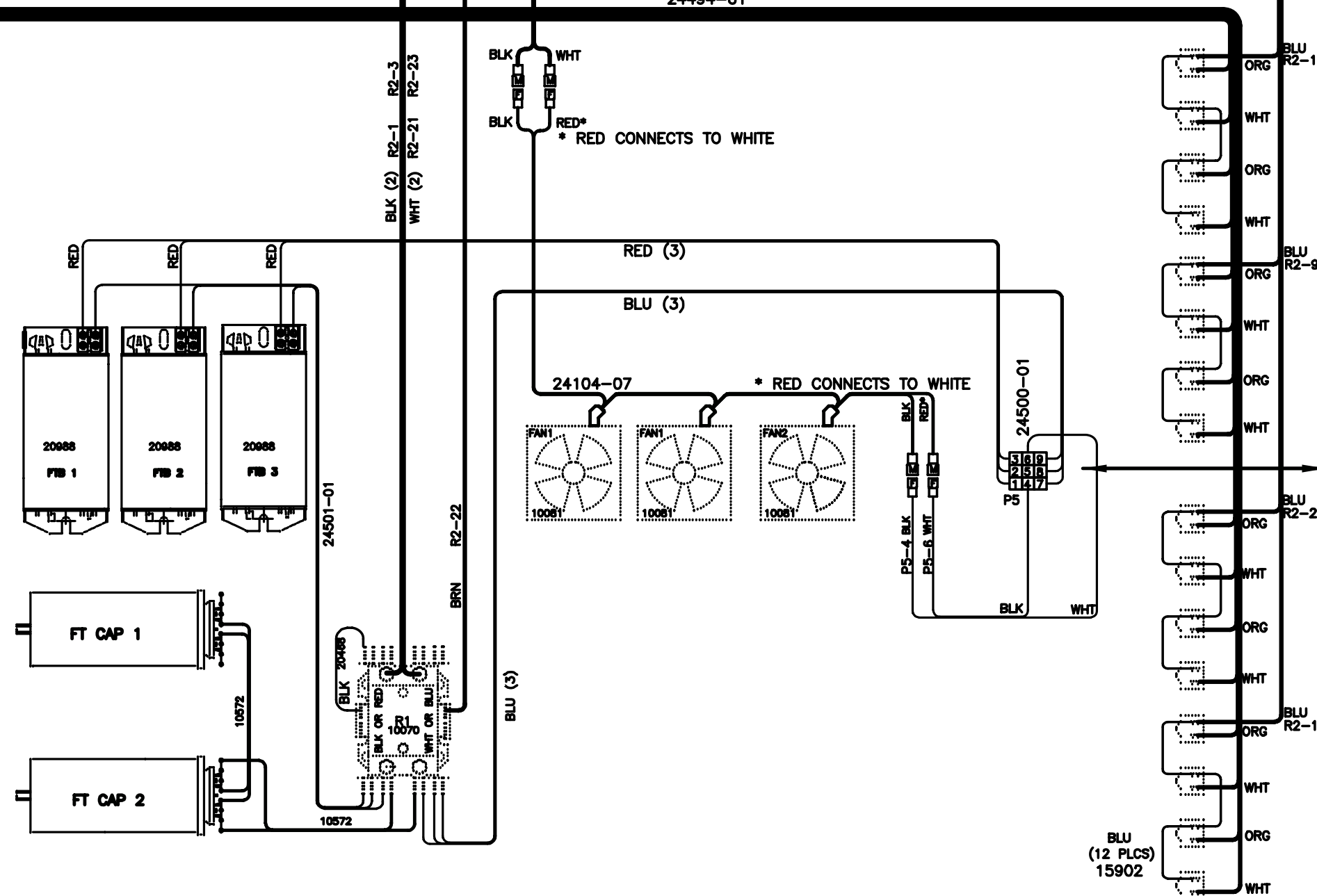
24499-01



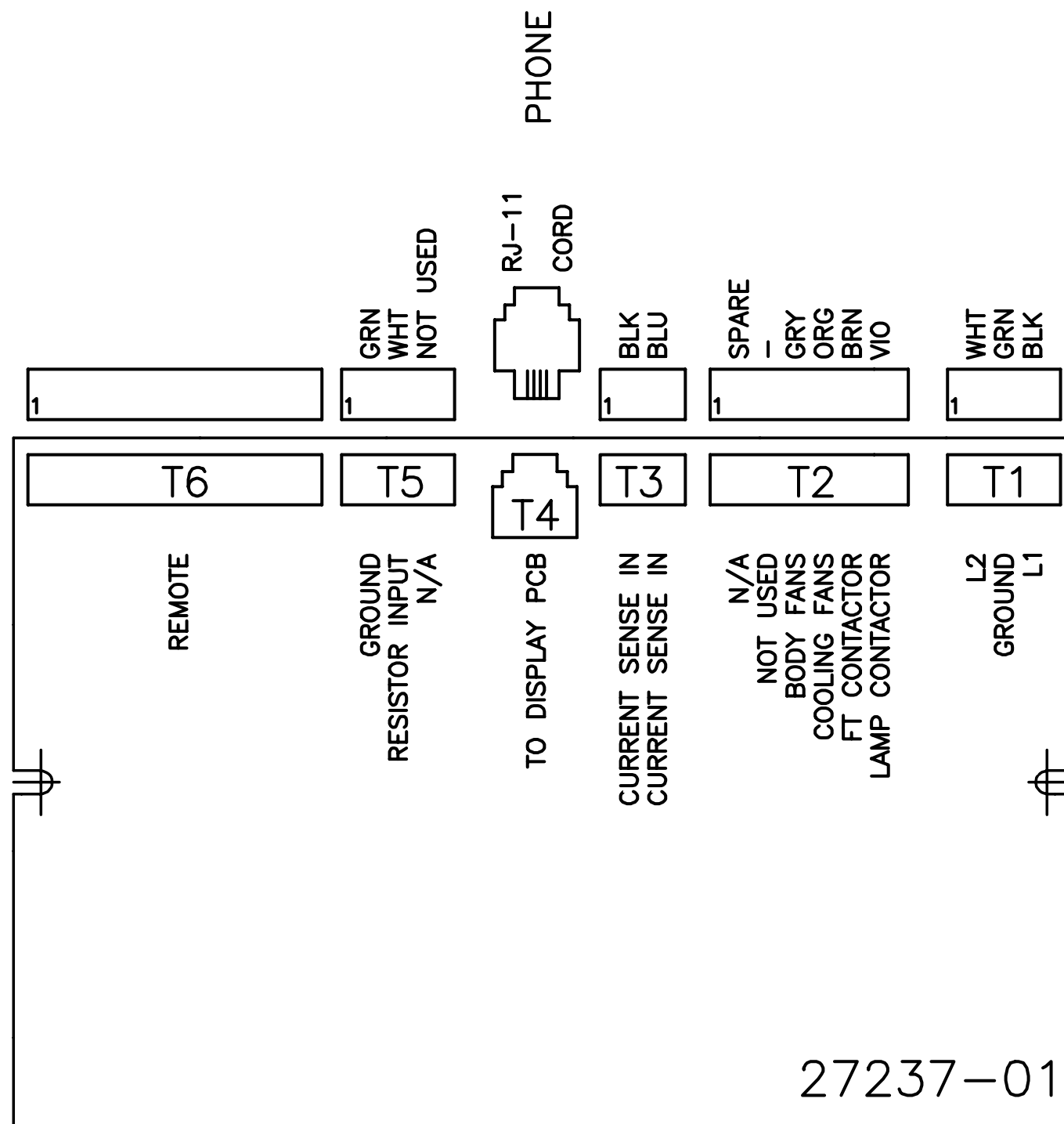
24491-01, REV C
ZX32 3 FACE
CANOPY WIRING DIAGRAM



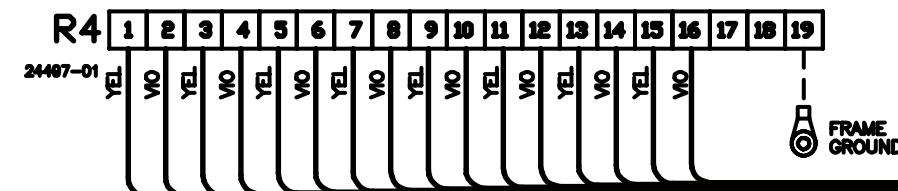
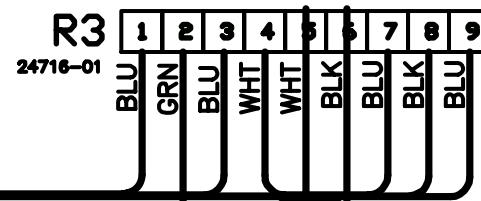
24486-01



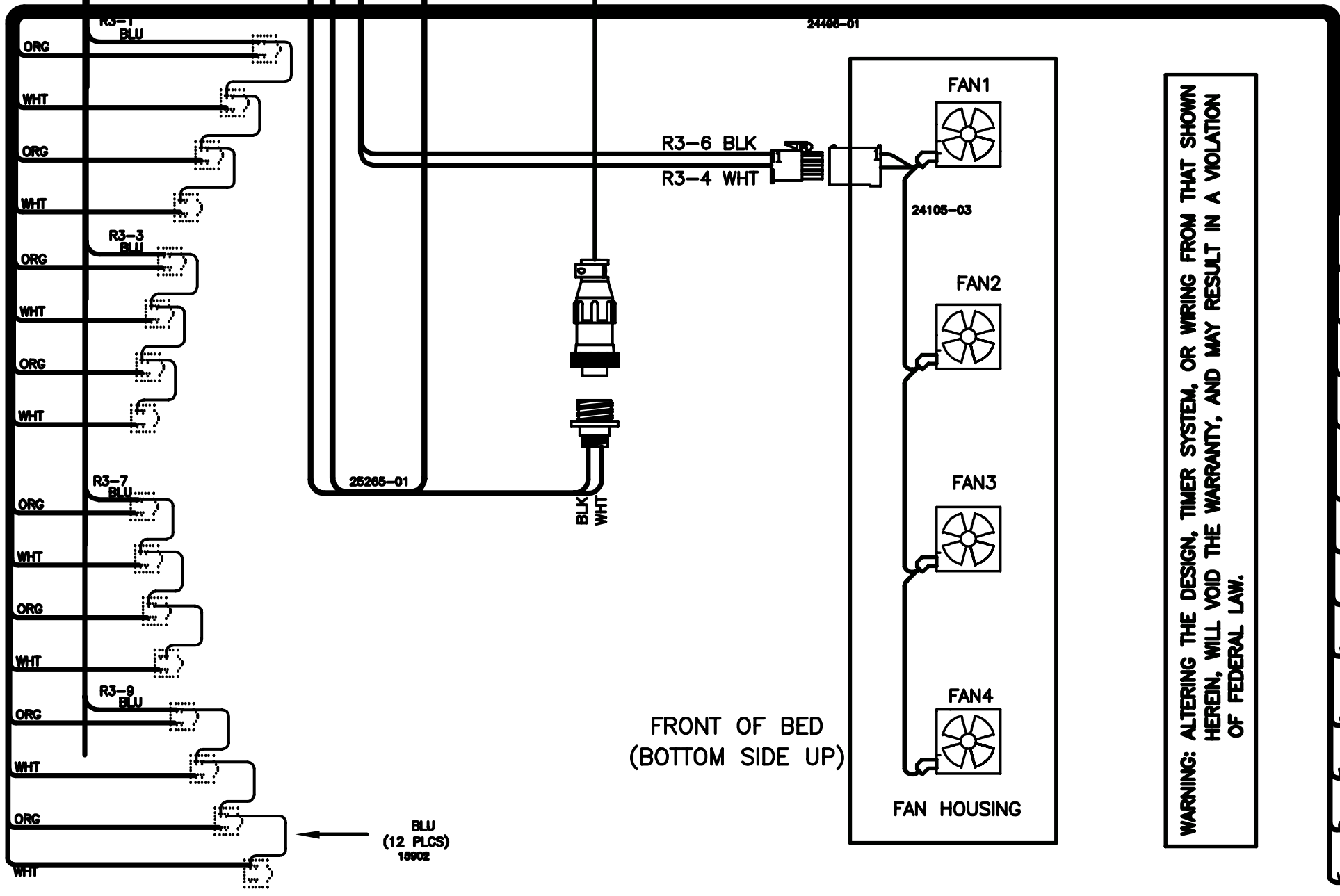
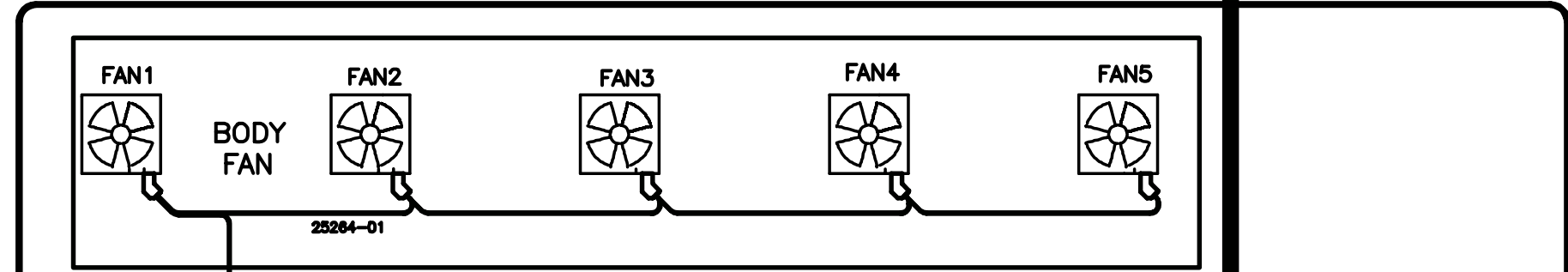
KEYPAD/DISPLAY



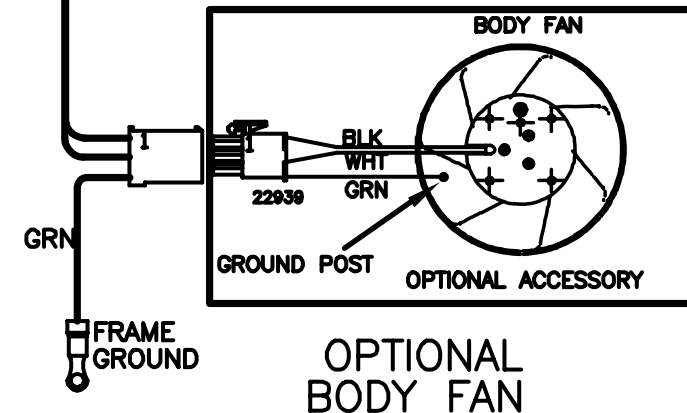
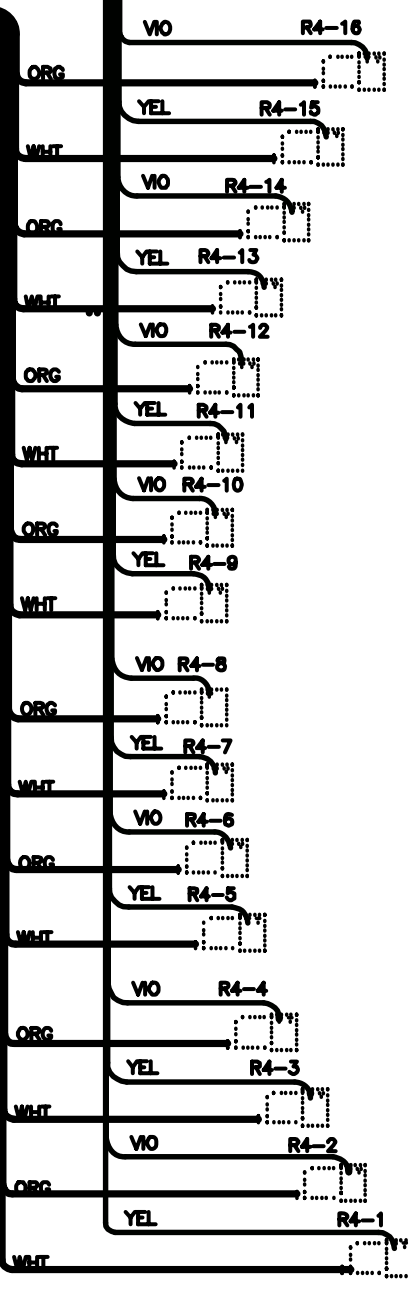
ELECTRONIC TIMER
CONNECTOR DIAGRAM



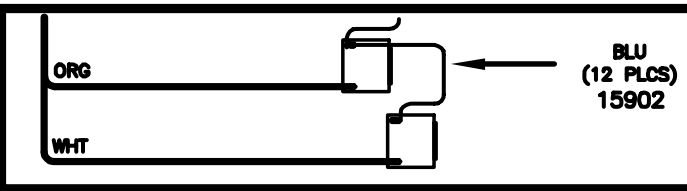
PIN #	R3 FUNCTIONS
1	LAMP RETURN 1
2	GROUND
3	LAMP RETURN 2
4	FAN RETURN
5	BODY FAN CONTROL
6	FAN FEED
7	LAMP RETURN 3
8	BODY FAN RTN
9	LAMP RETURN 4



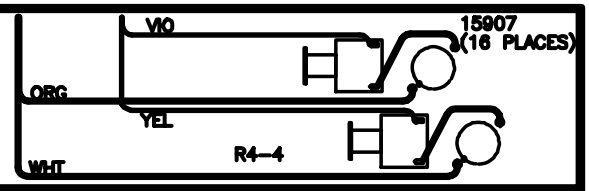
WARNING: ALTERING THE DESIGN, TIMER SYSTEM, OR WIRING FROM THAT SHOWN HEREIN, WILL VOID THE WARRANTY, AND MAY RESULT IN A VIOLATION OF FEDERAL LAW.



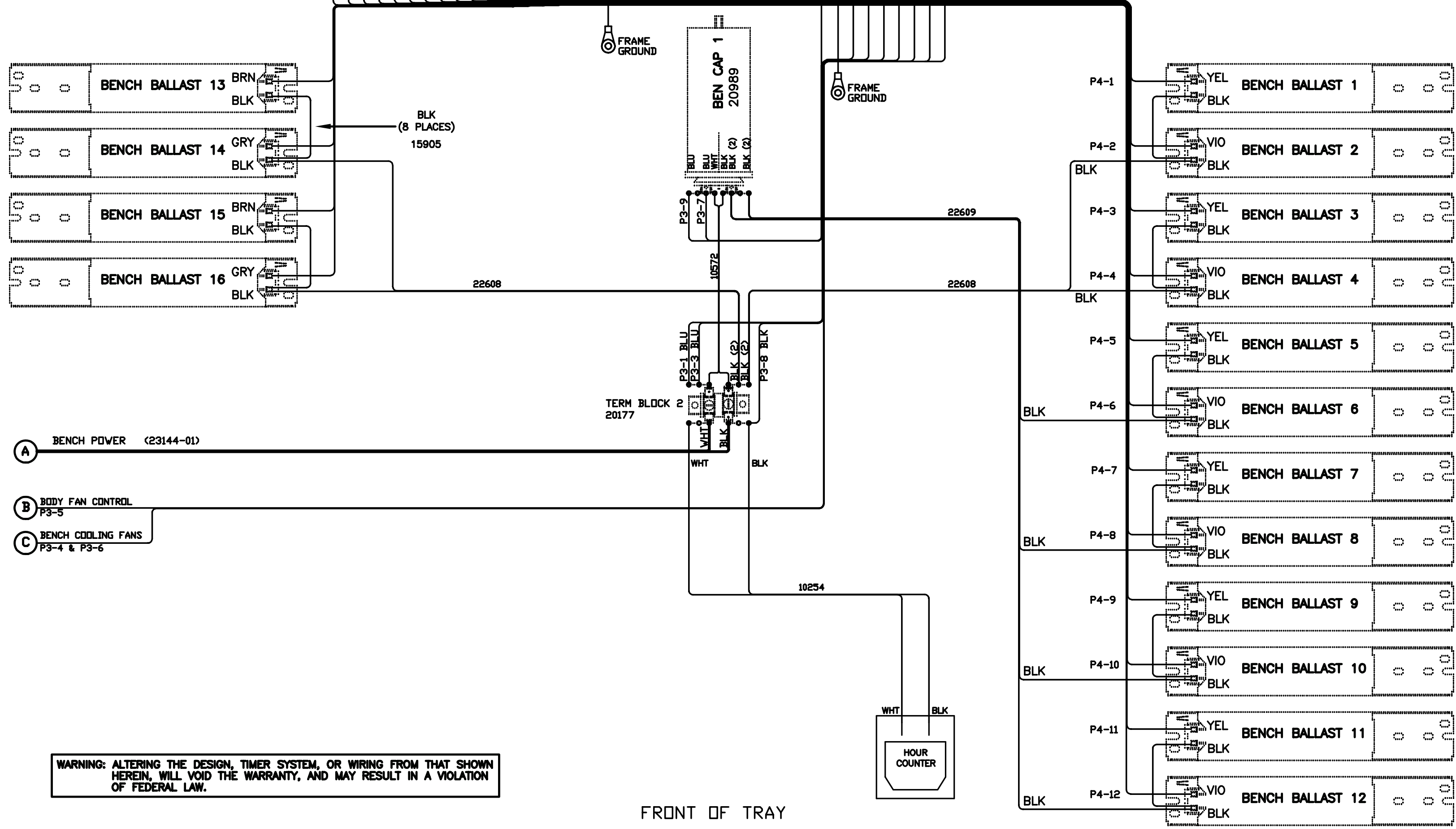
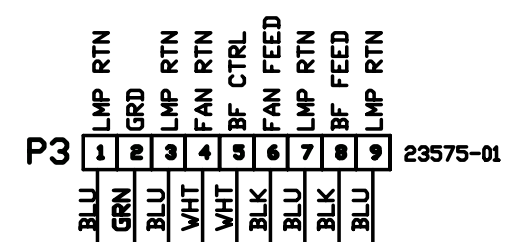
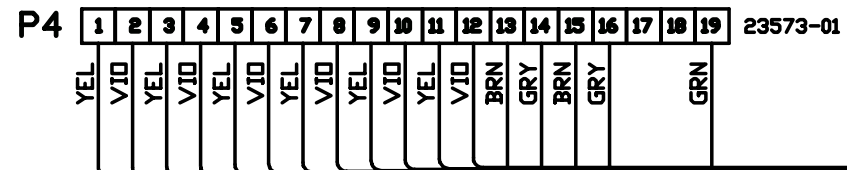
OPTIONAL BODY FAN



ALTERNATE LAMP HOLDER CONSTRUCTION
ZX32 NO FACE UNIT ONLY



15907 (16 PLACES)



- (A)** BENCH POWER (23144-01)
- (B)** BODY FAN CONTROL P3-5
- (C)** BENCH COOLING FANS P3-4 & P3-6

WARNING: ALTERING THE DESIGN, TIMER SYSTEM, OR WIRING FROM THAT SHOWN HEREIN, WILL VOID THE WARRANTY, AND MAY RESULT IN A VIOLATION OF FEDERAL LAW.

FRONT OF TRAY

