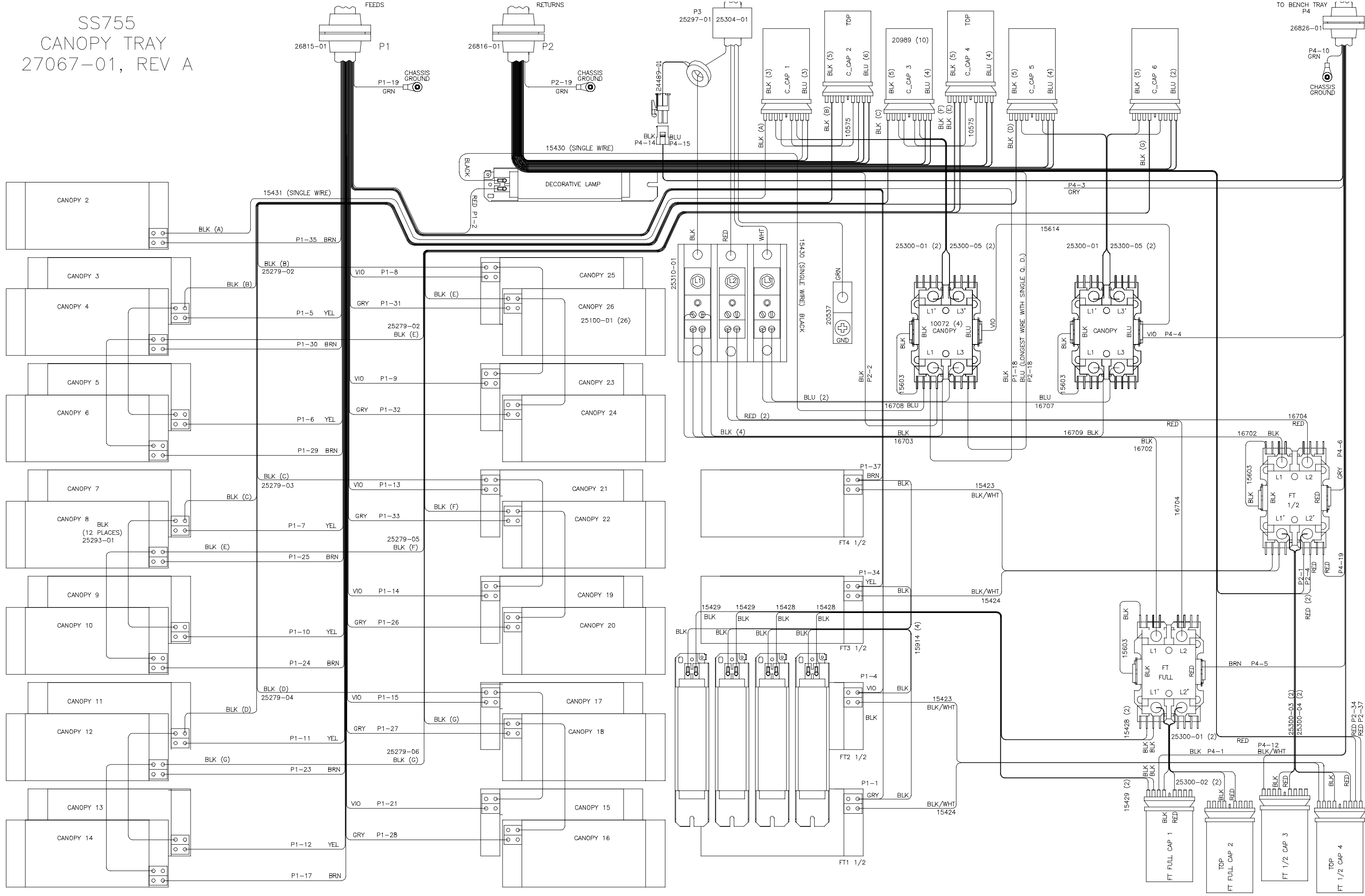
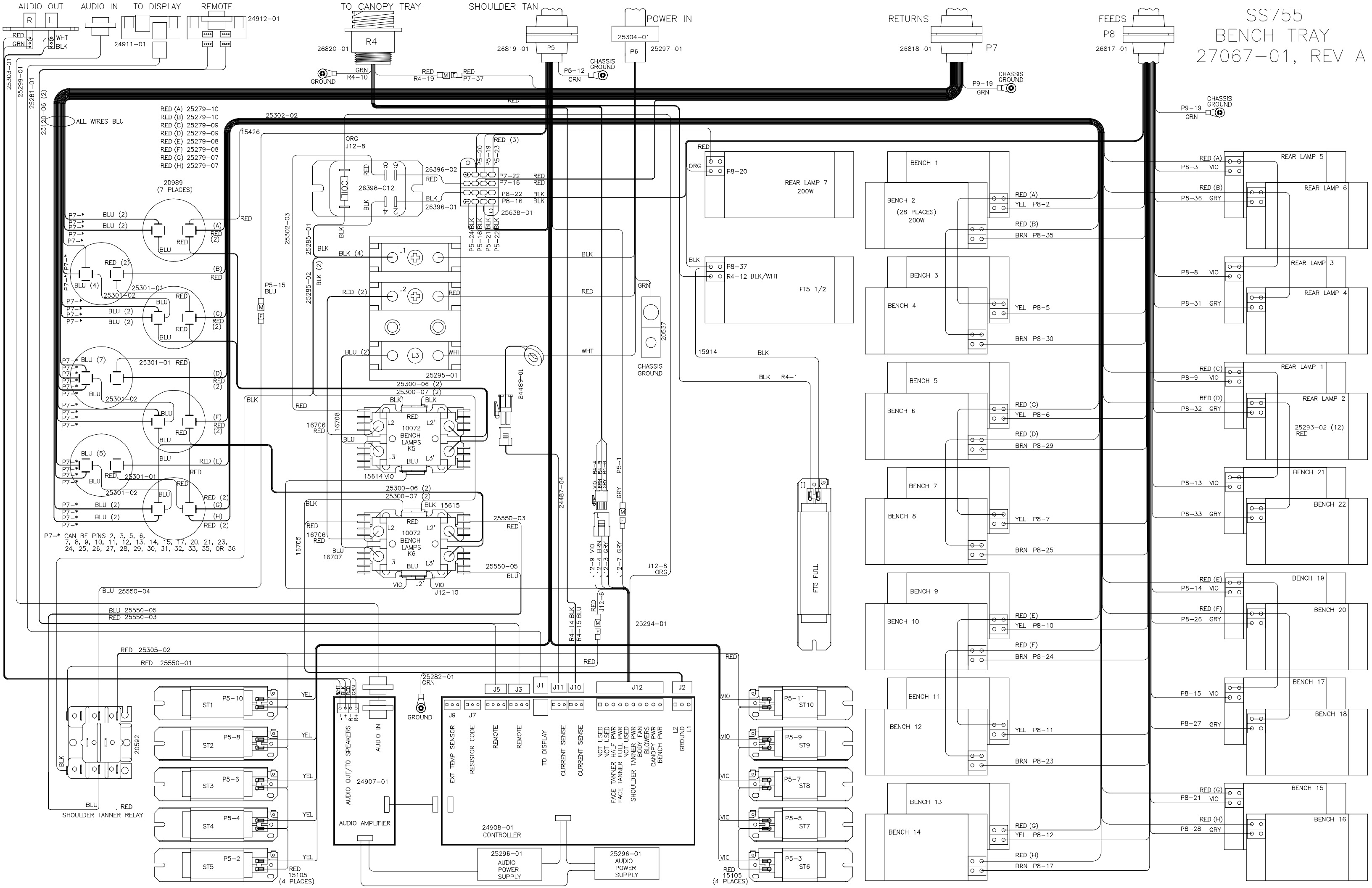


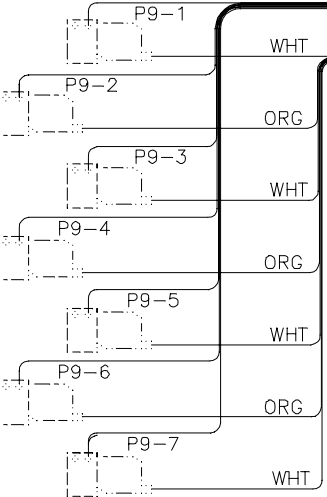
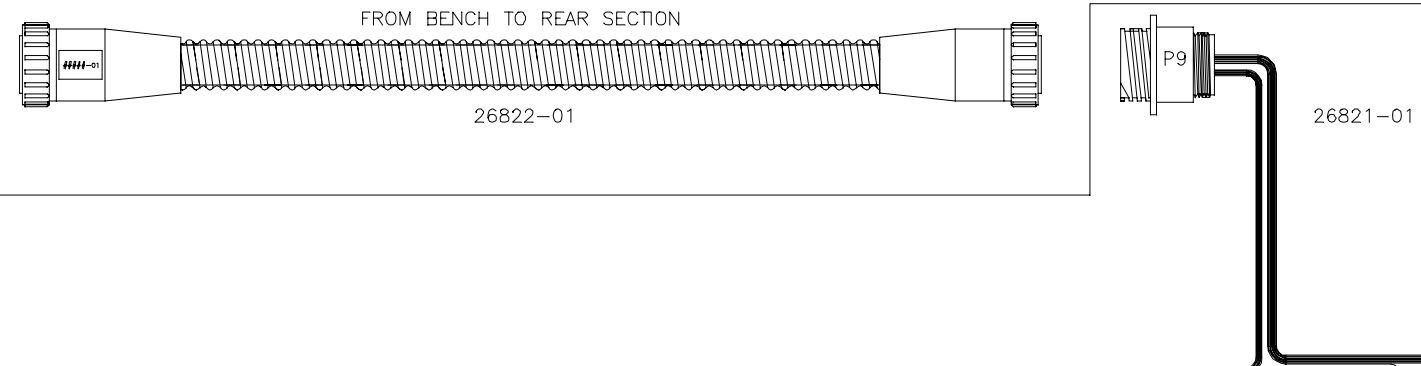
SS755
CANOPY TRAY
27067-01, REV A



SS755 BENCH TRAY 27067-01, REV A

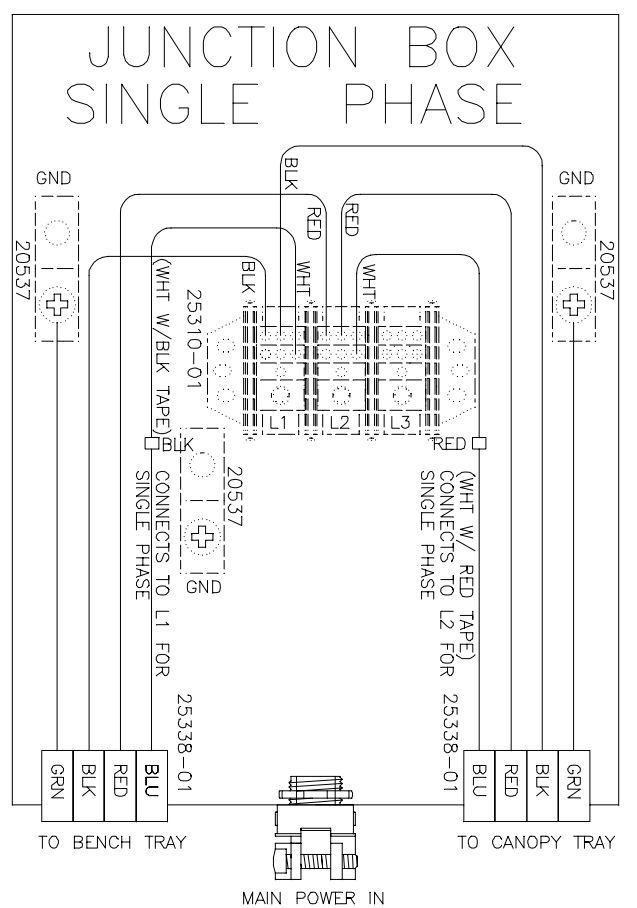
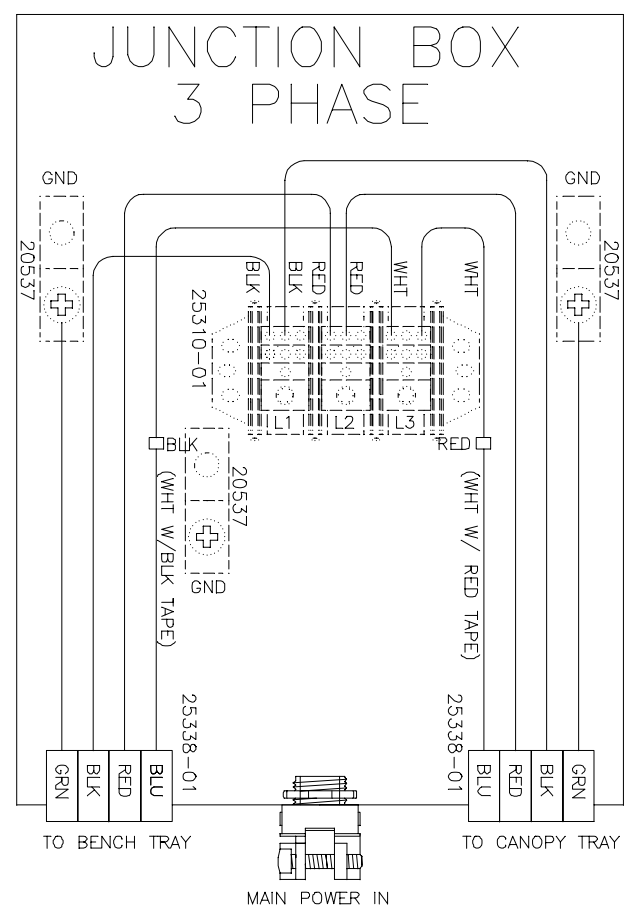
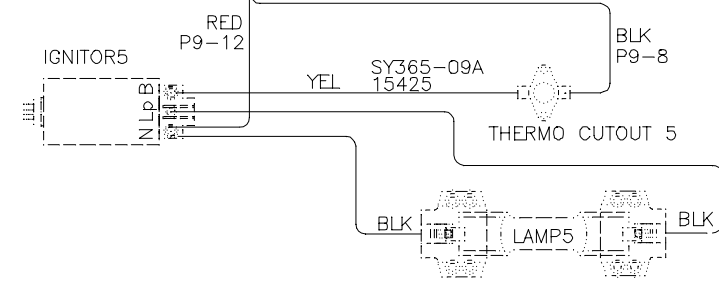
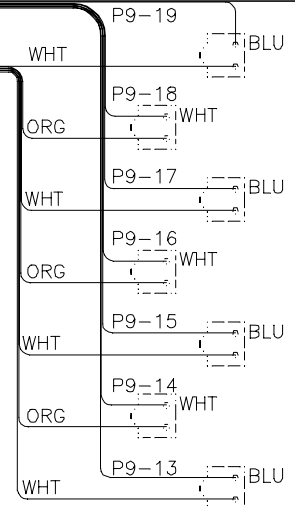
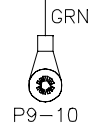


P-755 REAR SECTION 27068-01, REV A

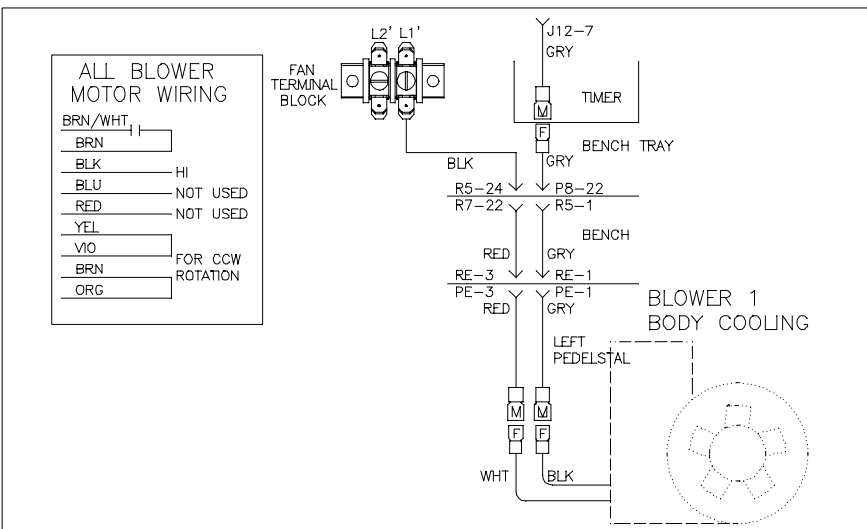
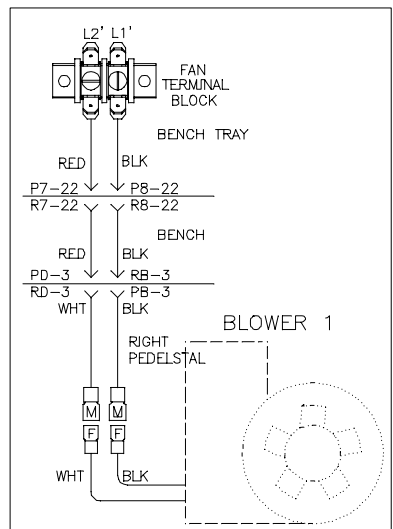
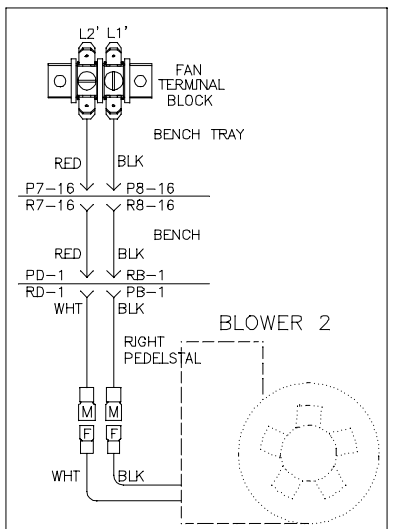
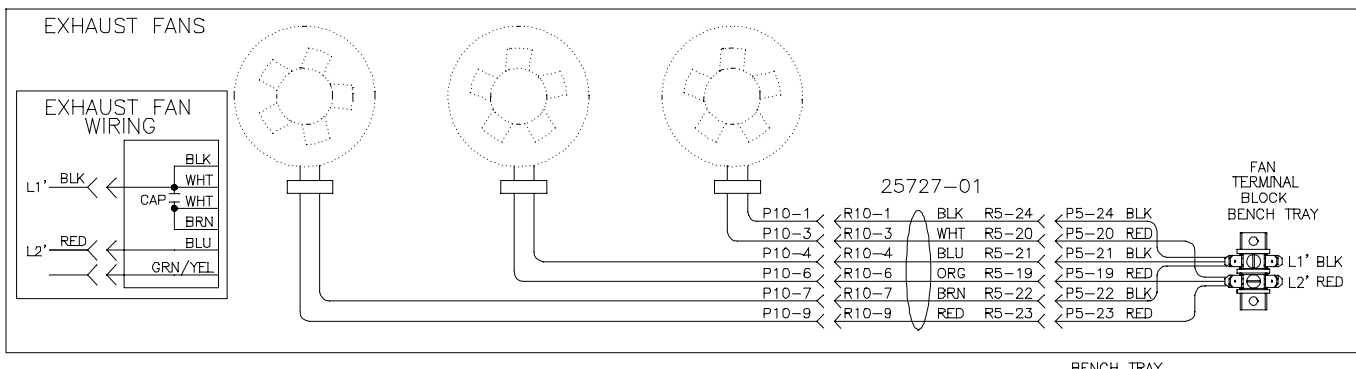


WARNING: ALTERING THE DESIGN, TIMER SYSTEM, OR WIRING FROM THAT SHOWN HEREIN, WILL VOID THE WARRANTY, AND MAY RESULT IN A VIOLATION OF FEDERAL LAW.

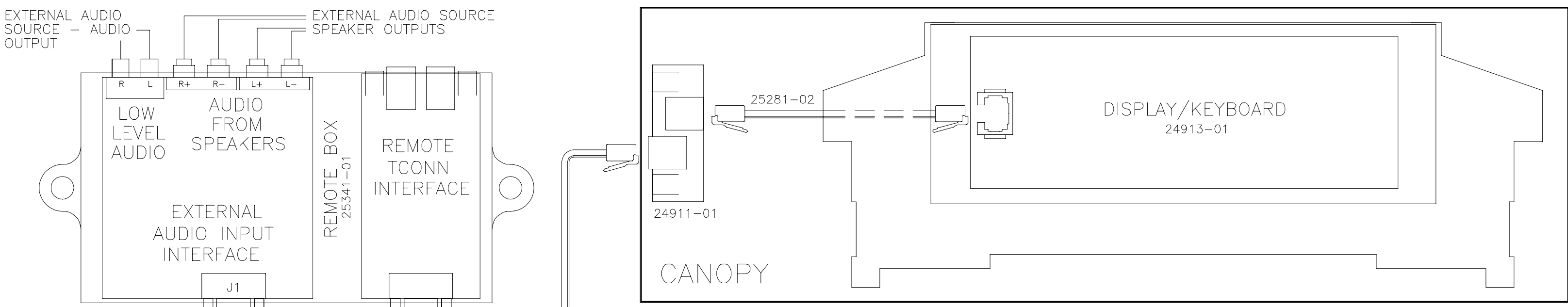
25272-01



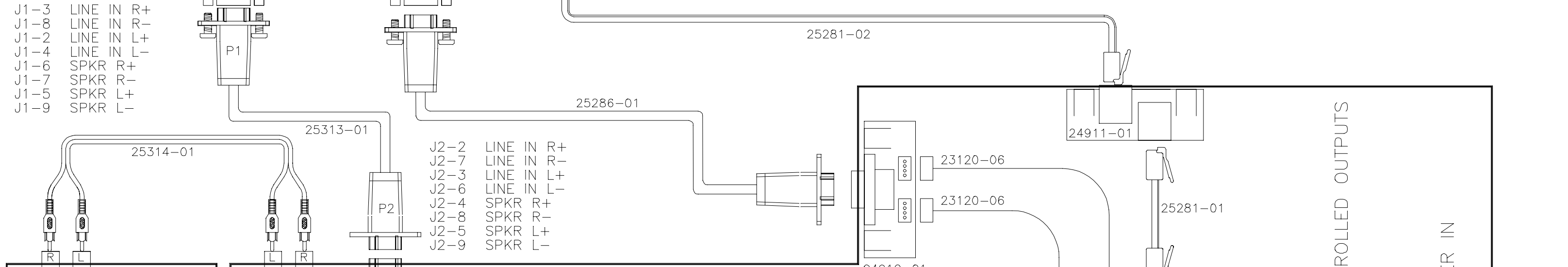
COOLING



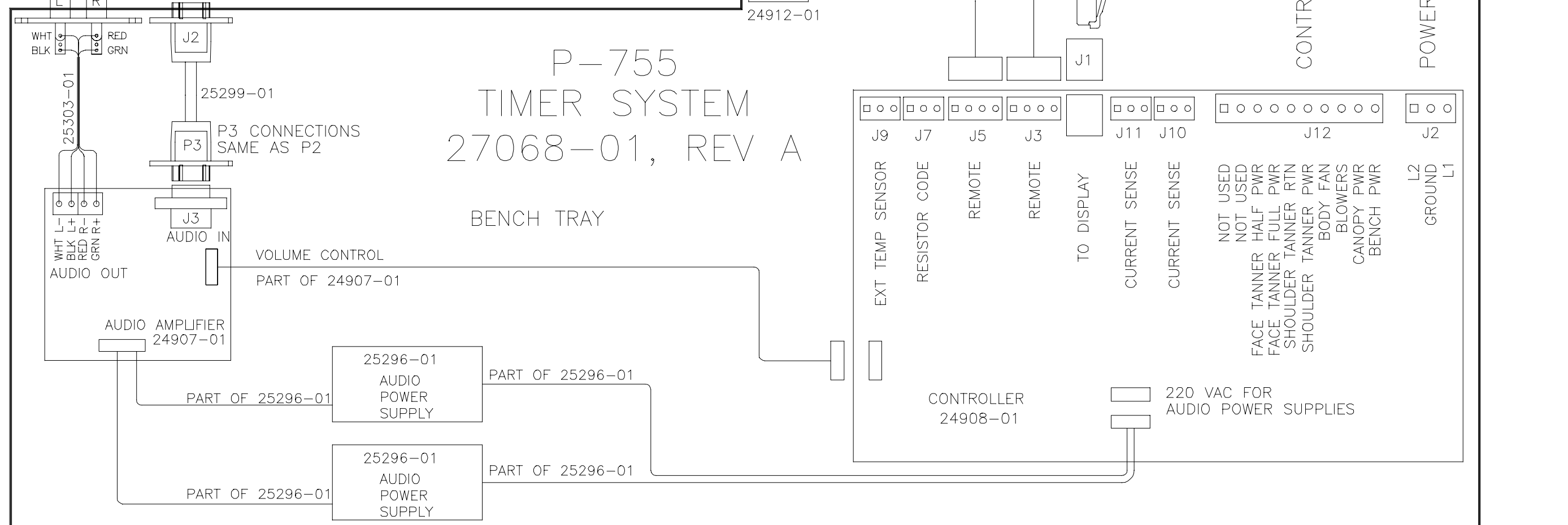
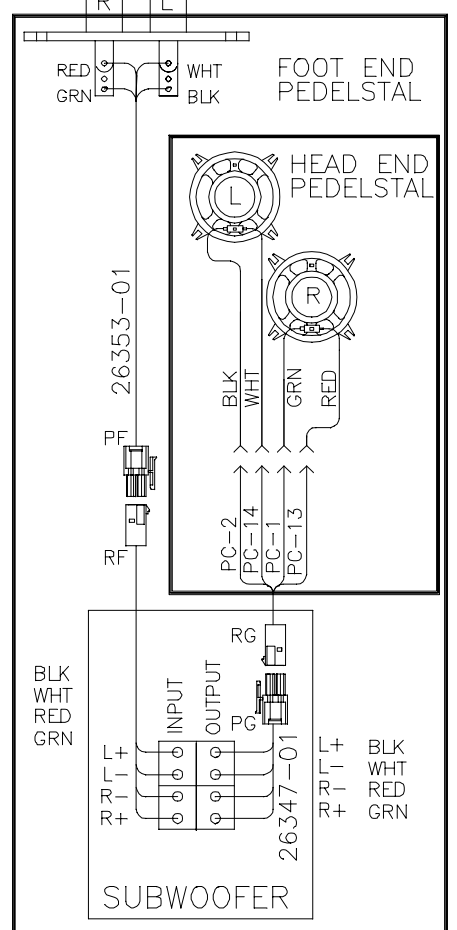
EXTERNAL AUDIO SOURCE - AUDIO OUTPUT
 EXTERNAL AUDIO SOURCE SPEAKER OUTPUTS



- J1-3 LINE IN R+
- J1-8 LINE IN R-
- J1-2 LINE IN L+
- J1-4 LINE IN L-
- J1-6 SPKR R+
- J1-7 SPKR R-
- J1-5 SPKR L+
- J1-9 SPKR L-



- J2-2 LINE IN R+
- J2-7 LINE IN R-
- J2-3 LINE IN L+
- J2-6 LINE IN L-
- J2-4 SPKR R+
- J2-8 SPKR R-
- J2-5 SPKR L+
- J2-9 SPKR L-



P-755
 TIMER SYSTEM
 27068-01, REV A

BENCH TRAY

- J9 EXT TEMP SENSOR
- J7 RESISTOR CODE
- J5 REMOTE
- J3 REMOTE
- TO DISPLAY
- J11 CURRENT SENSE
- J10 CURRENT SENSE
- J12 NOT USED, NOT USED, FACE TANNER HALF PWR, FACE TANNER FULL PWR, SHOULDER TANNER RTN, SHOULDER TANNER PWR, BODY FAN BLOWERS, CANOPY PWR, BENCH PWR
- J2 L2 GROUND, L1

CONTROLLED OUTPUTS

POWER IN

220 VAC FOR AUDIO POWER SUPPLIES