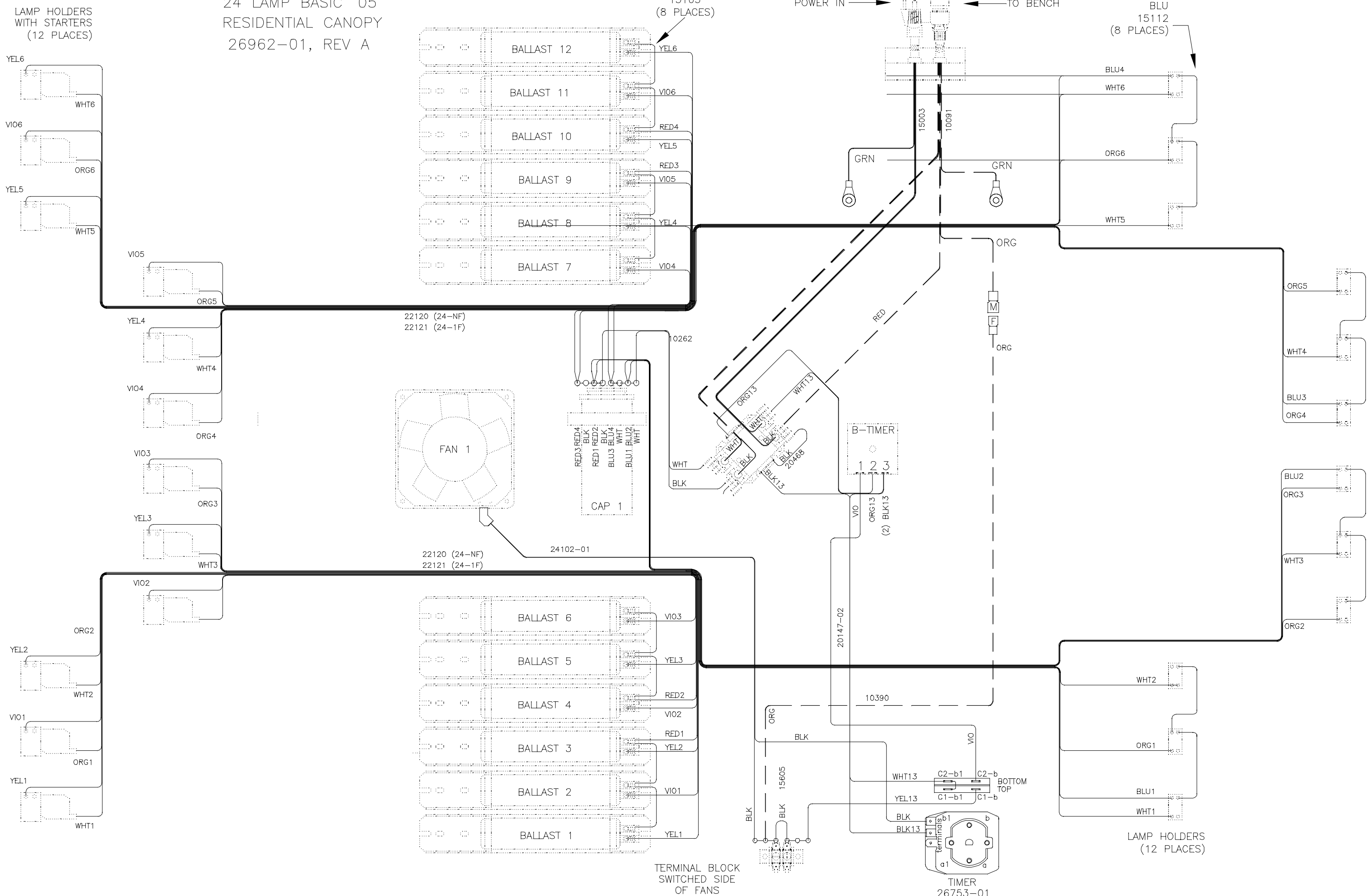


24 LAMP BASIC '05
RESIDENTIAL CANOPY
26962-01, REV A



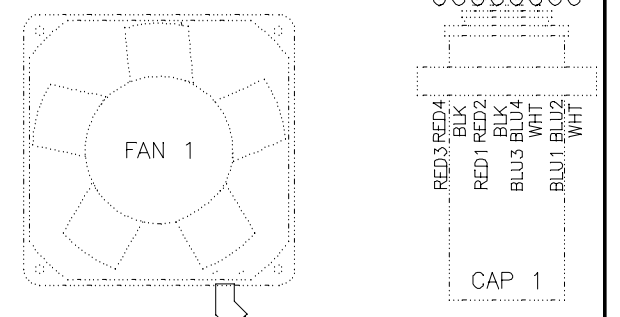
LAMP HOLDERS WITH STARTERS (12 PLACES)

POWER IN → TO BENCH

RED 15105 (8 PLACES)

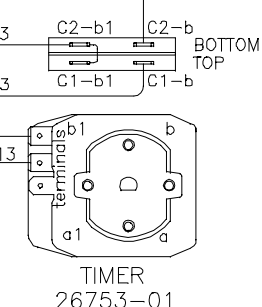
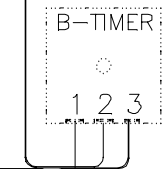
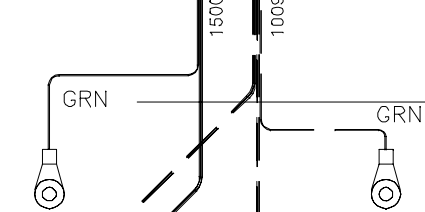
YEL6
WHT6
VI06
ORG6
YEL5
WHT5
VI05
ORG5
YEL4
WHT4
VI04
ORG4
YEL3
WHT3
VI03
ORG3
YEL2
WHT2
VI02
ORG2
YEL1
WHT1

BALLAST 12
BALLAST 11
BALLAST 10
BALLAST 9
BALLAST 8
BALLAST 7
YEL6
VI06
RED4
YEL5
RED3
VI05
YEL4
VI04



BALLAST 6
BALLAST 5
BALLAST 4
BALLAST 3
BALLAST 2
BALLAST 1
VI03
YEL3
RED2
VI02
RED1
YEL2
VI01
YEL1

TERMINAL BLOCK SWITCHED SIDE OF FANS



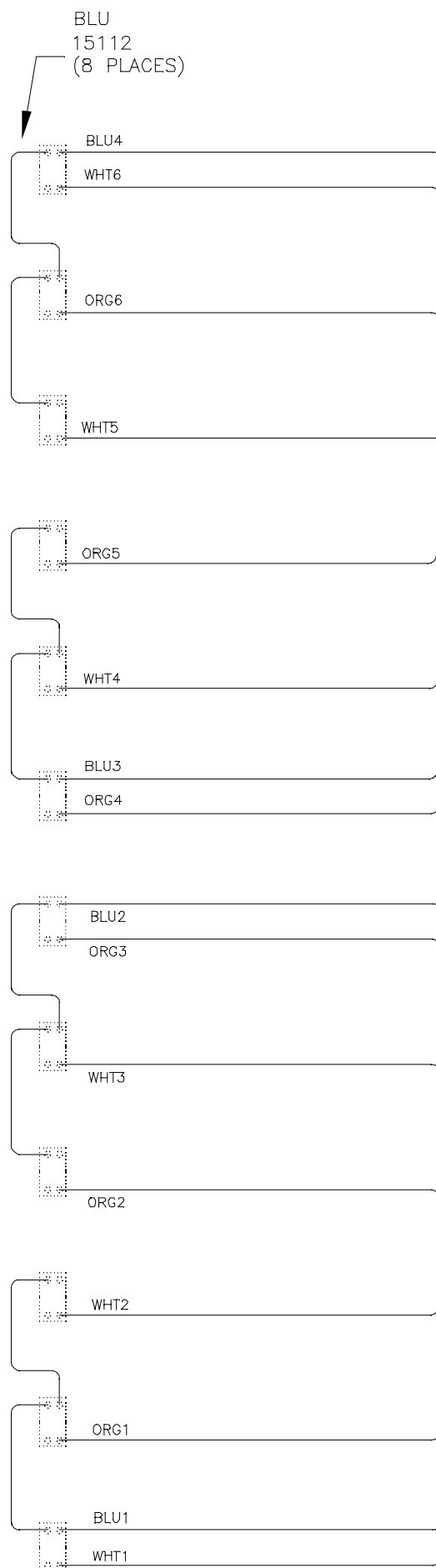
BLU 15112 (8 PLACES)
BLU4
WHT6
ORG6
WHT5

ORG5
WHT4
BLU3
ORG4

BLU2
ORG3
WHT3
ORG2

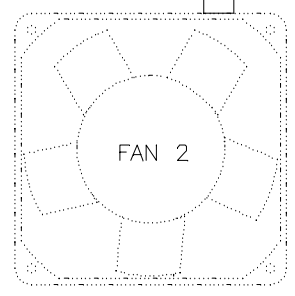
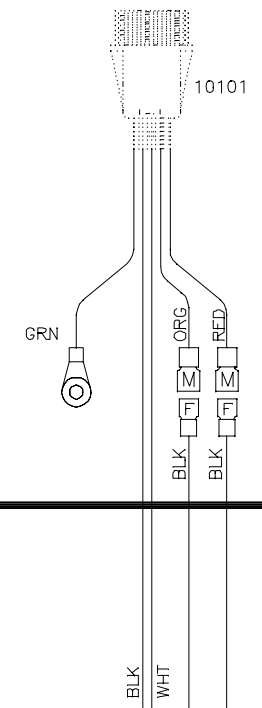
WHT2
ORG1
BLU1
WHT1

LAMP HOLDERS (12 PLACES)

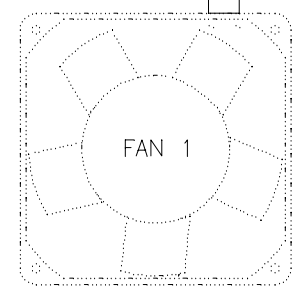
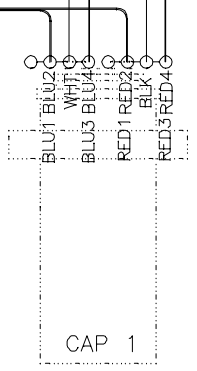


24 LAMP BASIC BENCH
26962-01, REV A

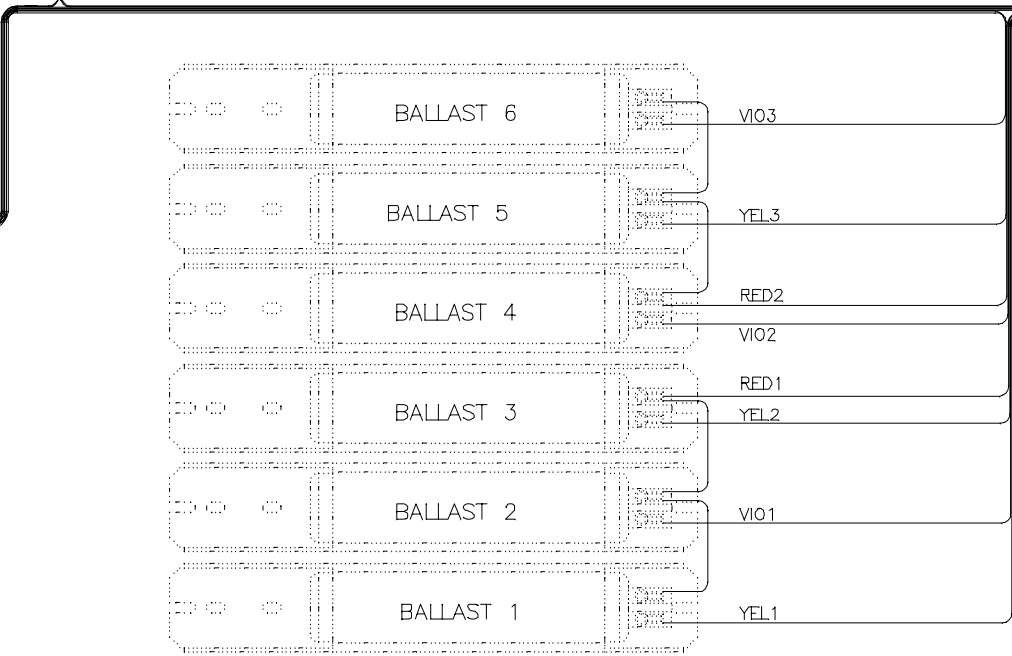
BOTTOM FRONT OF BED



24103-01



22120



RED 15105 (8 PLACES)

