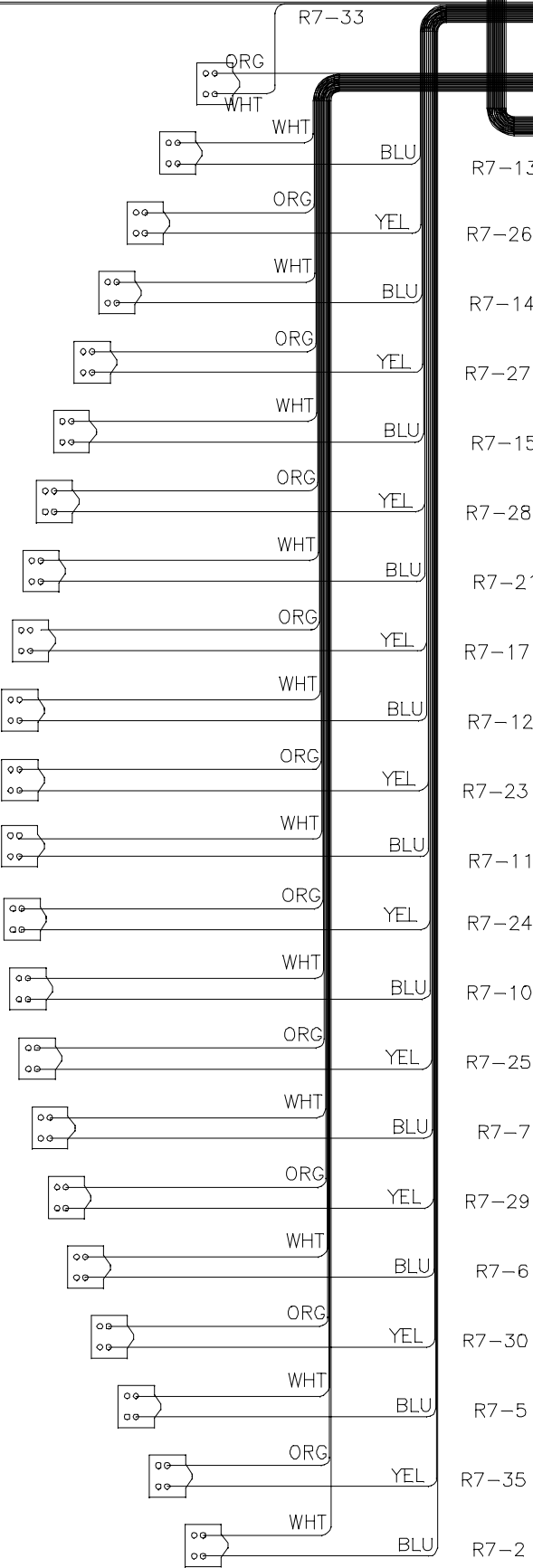
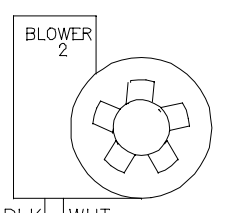
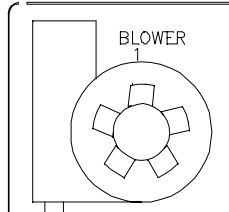
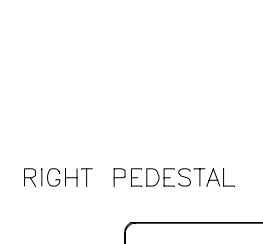
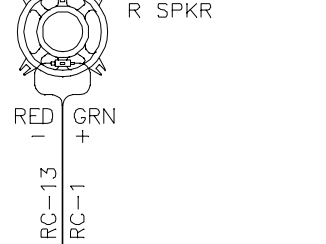


EXHAUST FANS

R5	R10	FUNCTION
PIN 24	PIN 1	FAN 1 FD
PIN 20	PIN 3	FAN 1 RTN
PIN 21	PIN 4	FAN 2 FD
PIN 19	PIN 6	FAN 2 RTN
PIN 22	PIN 7	FAN 3 FD
PIN 23	PIN 9	FAN 3 RTN



R7

PIN	R9	FUNCTION
PIN 9	PIN 19	REAR 1 RTN
PIN 32	PIN 18	REAR 2 RTN
PIN 8	PIN 17	REAR 3 RTN
PIN 31	PIN 16	REAR 4 RTN
PIN 3	PIN 15	REAR 5 RTN
PIN 36	PIN 14	REAR 6 RTN
PIN 20	PIN 13	REAR 7 RTN
PIN 37	PIN 12	FT 5 RTN

R9

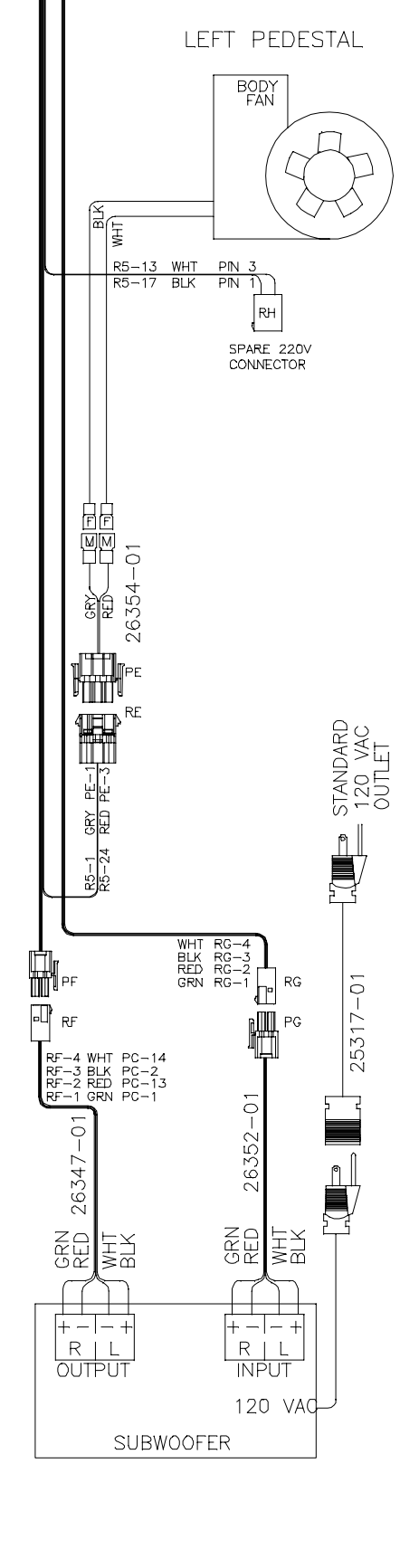
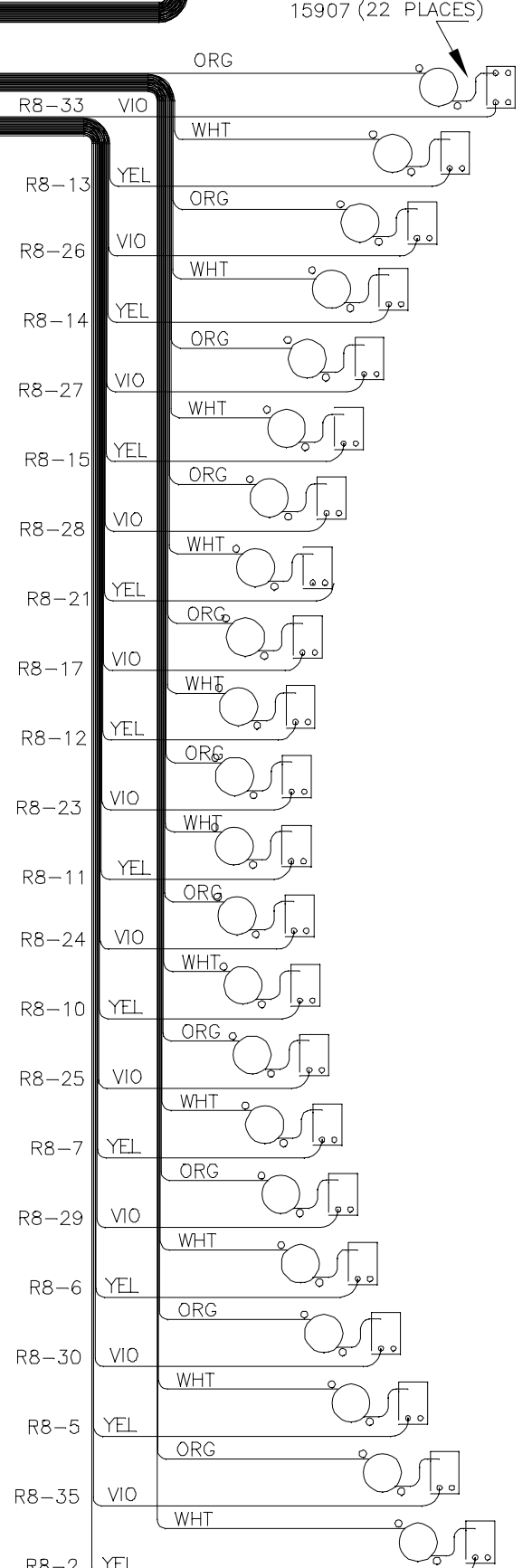
PIN	PA/RA	R8	FUNCTION
PIN 1	PIN 1	PIN 9	REAR 1 FD
PIN 2	PIN 2	PIN 32	REAR 2 FD
PIN 3	PIN 3	PIN 8	REAR 3 FD
PIN 4	PIN 4	PIN 31	REAR 4 FD
PIN 5	PIN 5	PIN 3	REAR 5 FD
PIN 6	PIN 6	PIN 36	REAR 6 FD
PIN 7	PIN 7	PIN 20	REAR 7 FD
PIN 8	PIN 9	PIN 37	FT 5 FD

R5

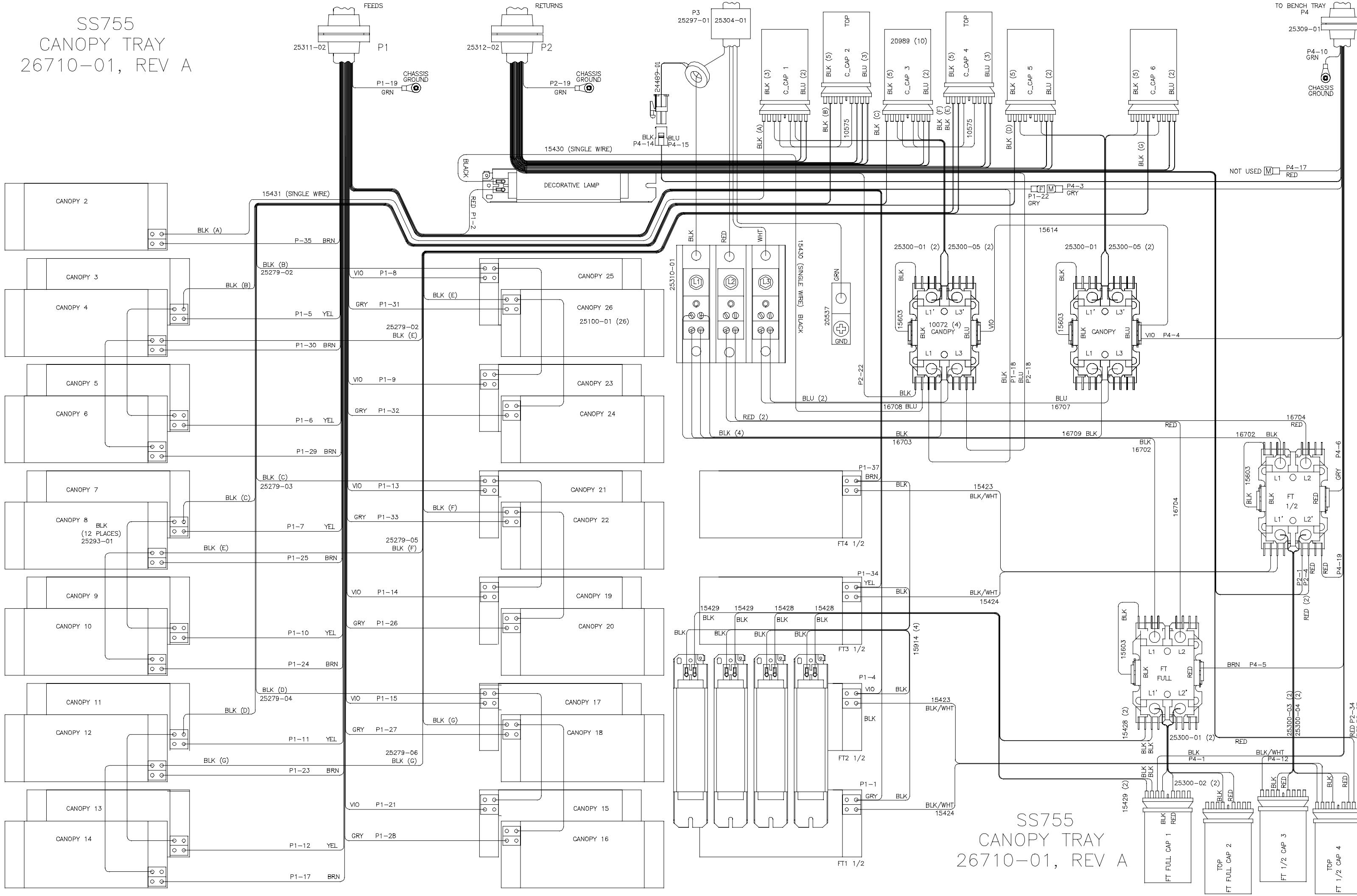
PIN	PC/RC	FUNCTION
PIN 2	PIN 9	ST 5
PIN 3	PIN 8	ST 6
PIN 4	PIN 10	ST 4
PIN 5	PIN 7	ST 7
PIN 6	PIN 11	ST 3
PIN 7	PIN 6	ST 8
PIN 8	PIN 12	ST 2
PIN 9	PIN 5	ST 9
PIN 10	PIN 15	ST 1
PIN 11	PIN 4	ST 10
PIN 12	NA	GROUND
PIN 15	PIN 3	ST RETURN
	PIN 13	RIGHT SPKR -
	PIN 2	LEFT SPKR +
	PIN 14	LFET SPKR -
	PIN 1	RIGHT SPKR +

SUNSCAPE 755  
BENCH  
26345-01, REV B

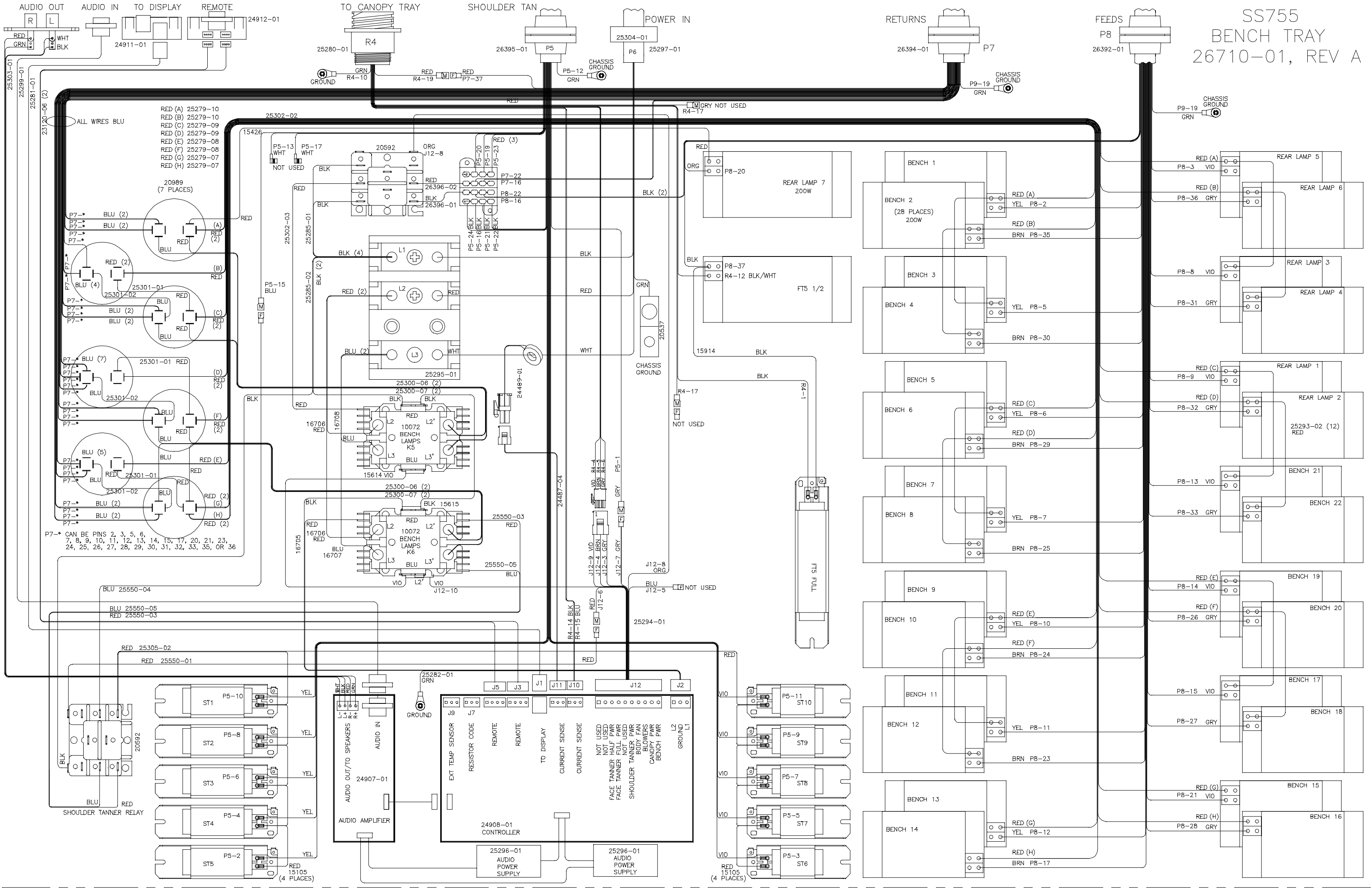
BOTTOM FRONT OF BED  
BOTTOM SIDE UP



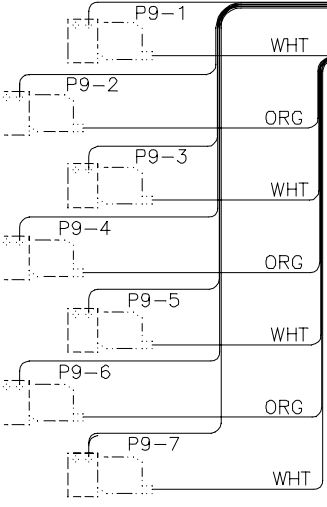
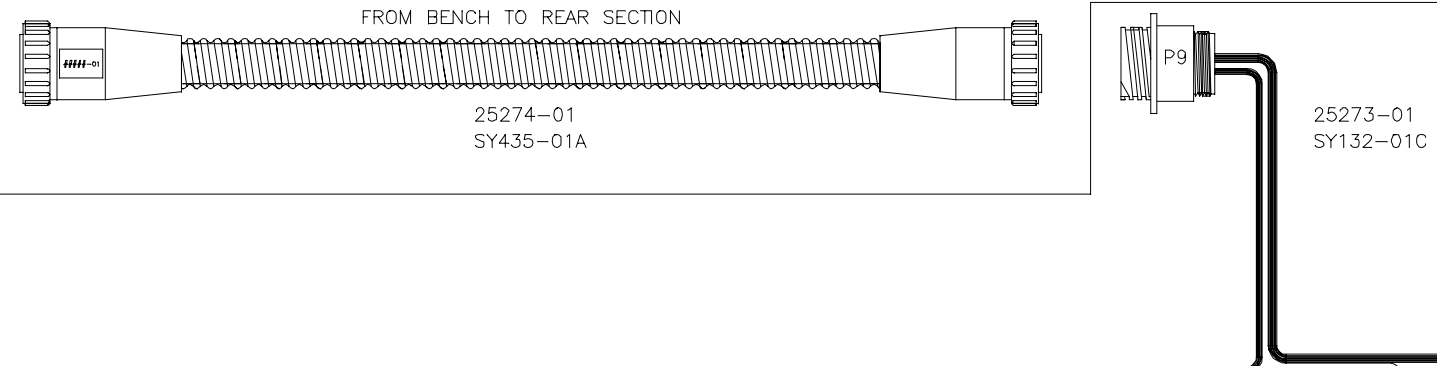
SS755  
CANOPY TRAY  
26710-01, REV A



# SS755 BENCH TRAY 26710-01, REV A

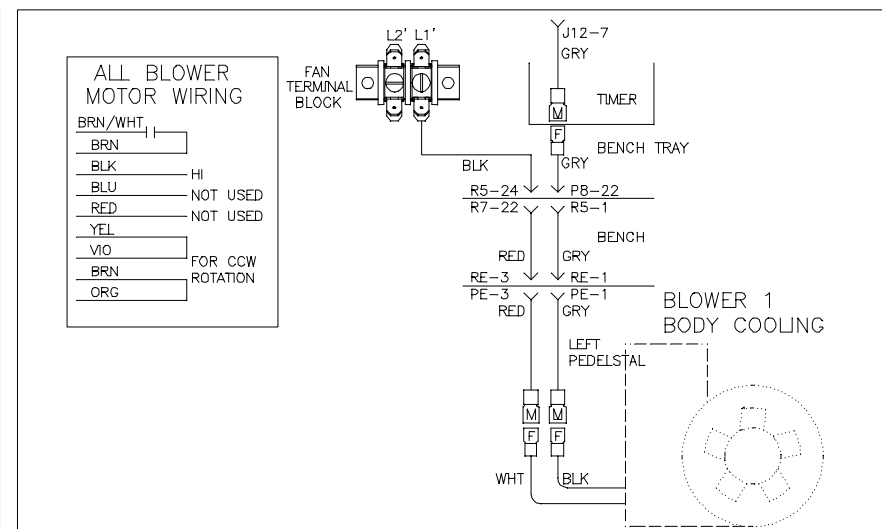
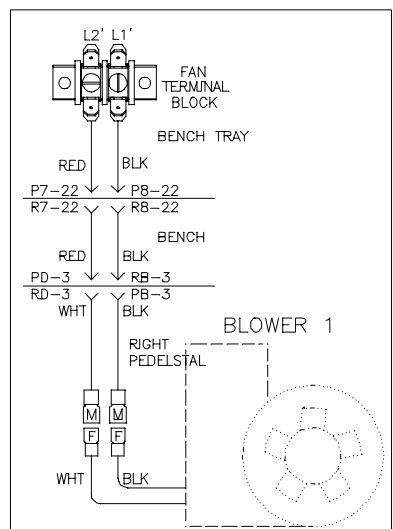
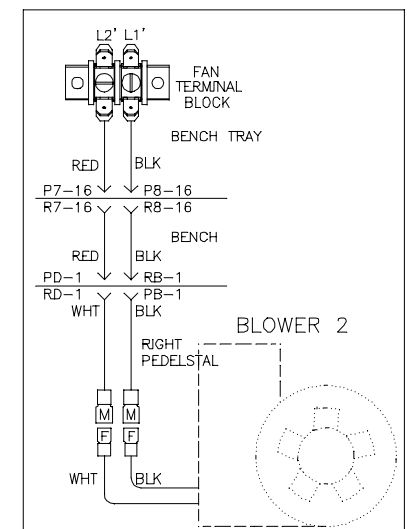
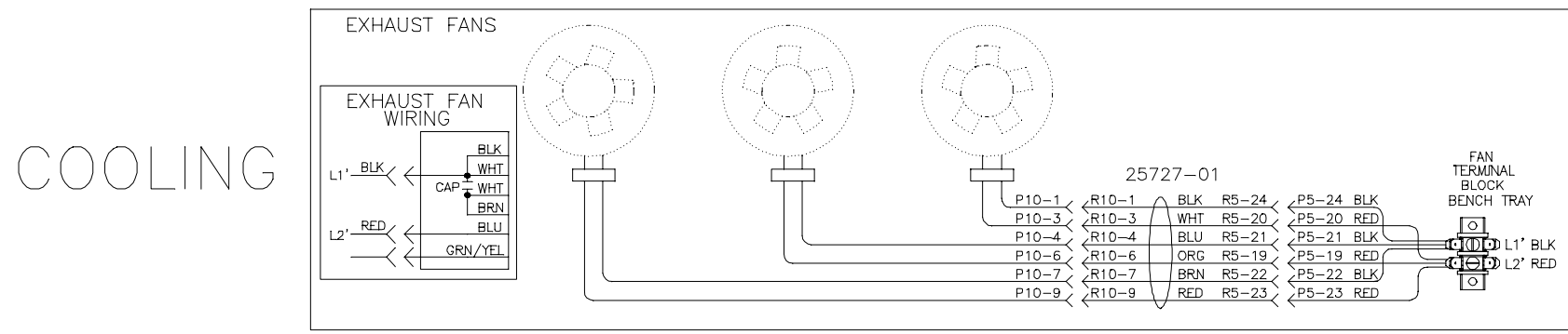
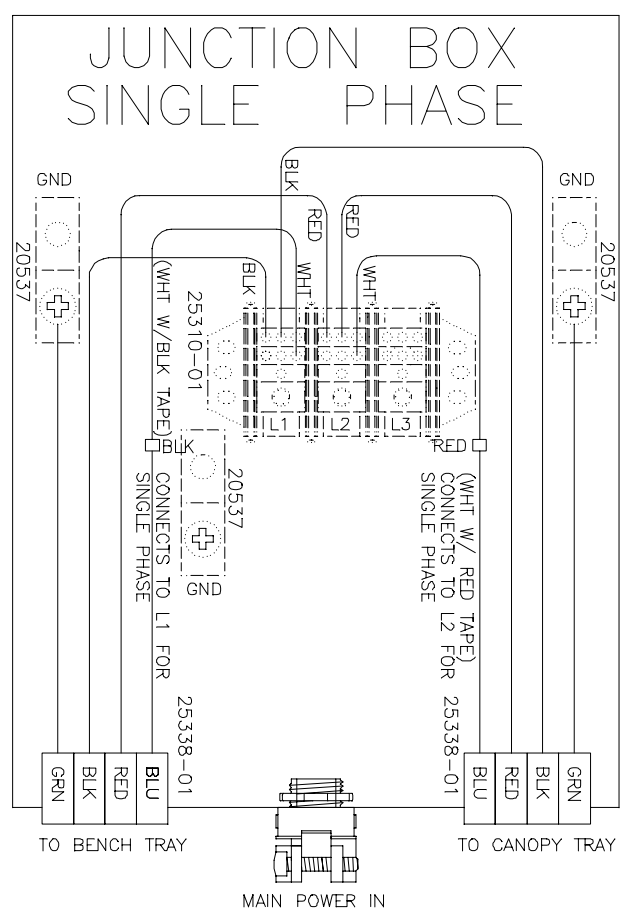
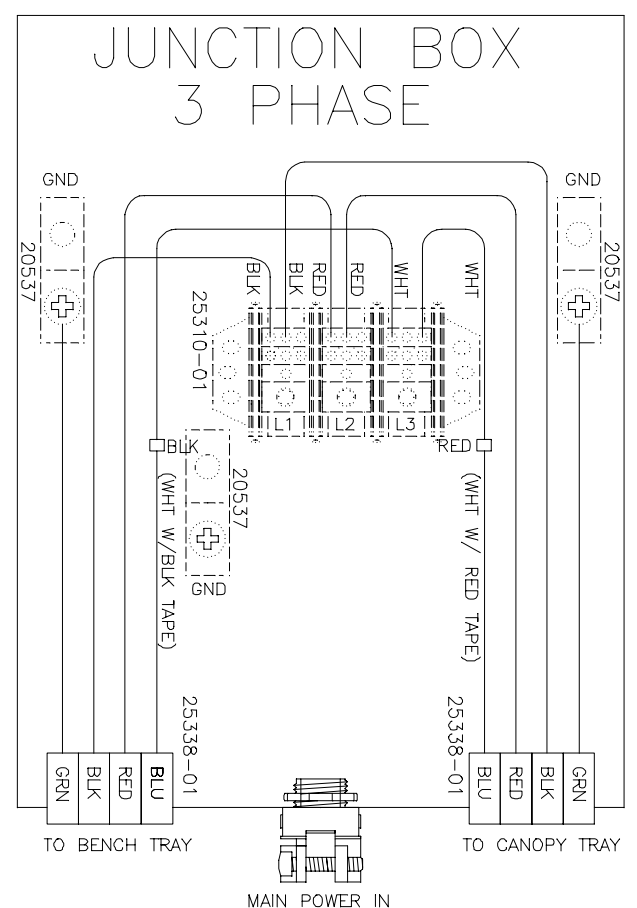
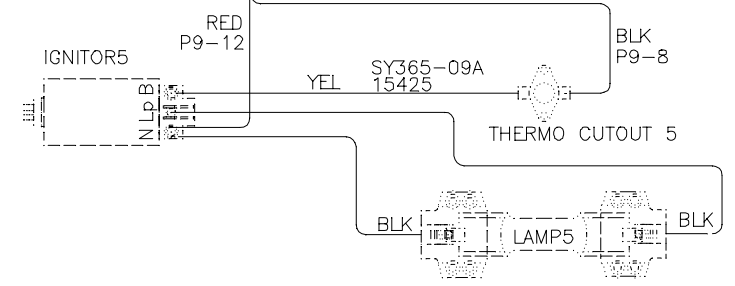
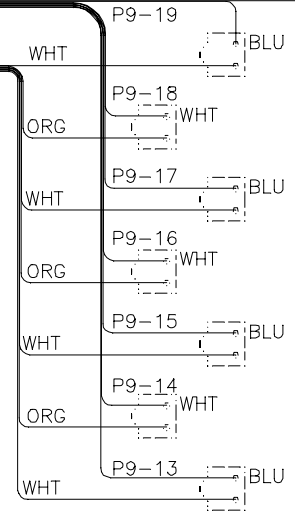
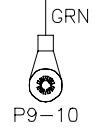


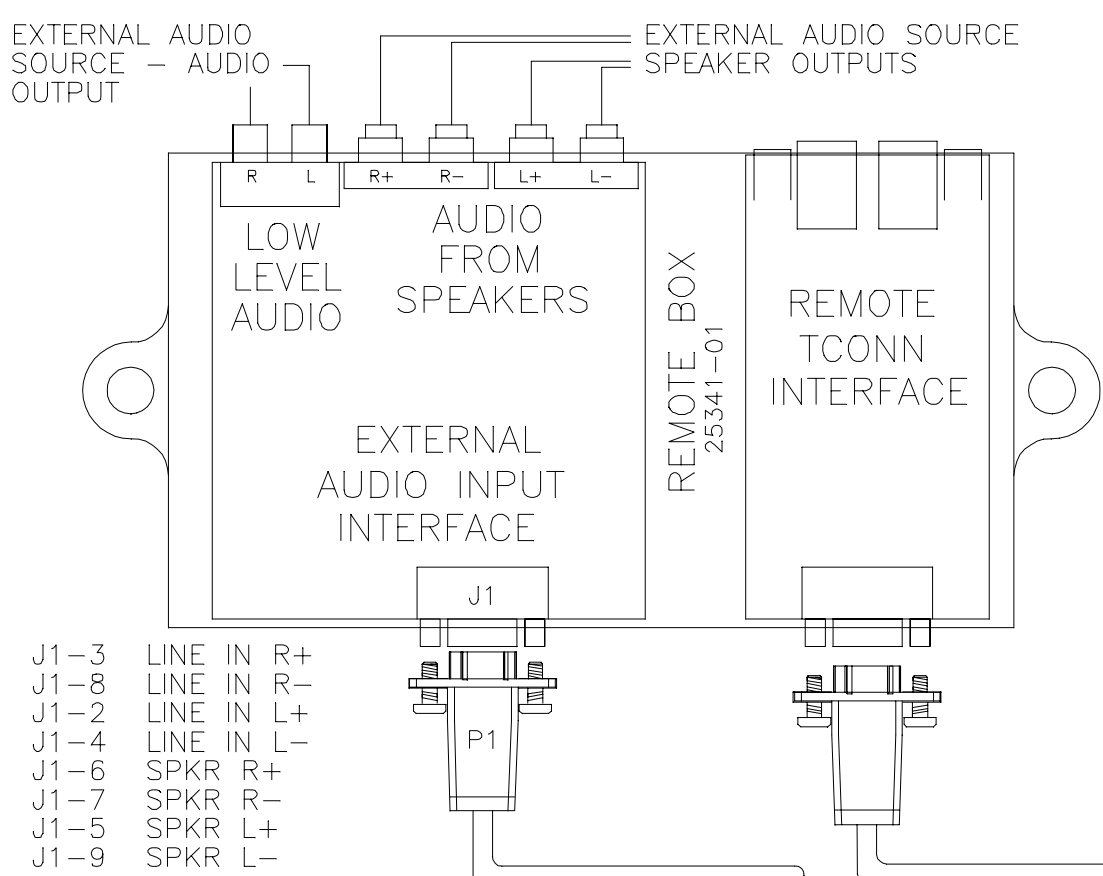
# SUNSCAPE 755 REAR SECTION 26413-01, REV A



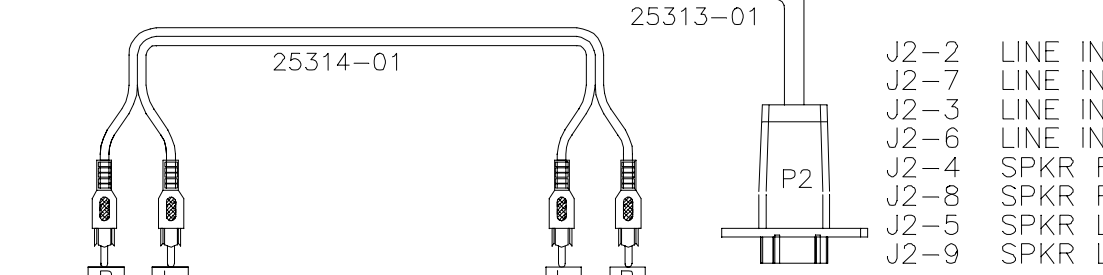
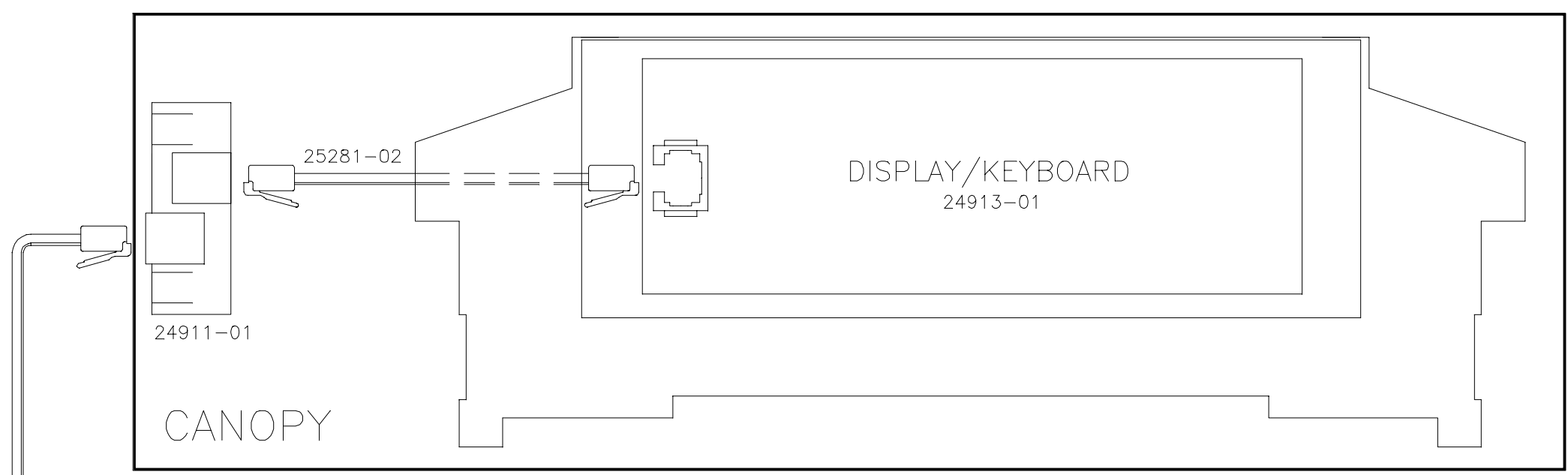
**WARNING: ALTERING THE DESIGN, TIMER SYSTEM, OR WIRING FROM THAT SHOWN HEREIN, WILL VOID THE WARRANTY, AND MAY RESULT IN A VIOLATION OF FEDERAL LAW.**

25272-01  
SY275-01A





- J1-3 LINE IN R+
- J1-8 LINE IN R-
- J1-2 LINE IN L+
- J1-4 LINE IN L-
- J1-6 SPKR R+
- J1-7 SPKR R-
- J1-5 SPKR L+
- J1-9 SPKR L-



- J2-2 LINE IN R+
- J2-7 LINE IN R-
- J2-3 LINE IN L+
- J2-6 LINE IN L-
- J2-4 SPKR R+
- J2-8 SPKR R-
- J2-5 SPKR L+
- J2-9 SPKR L-

