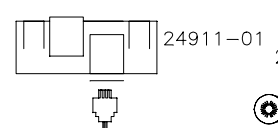


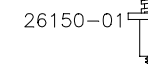
TO CONTROLLER



RETURNS



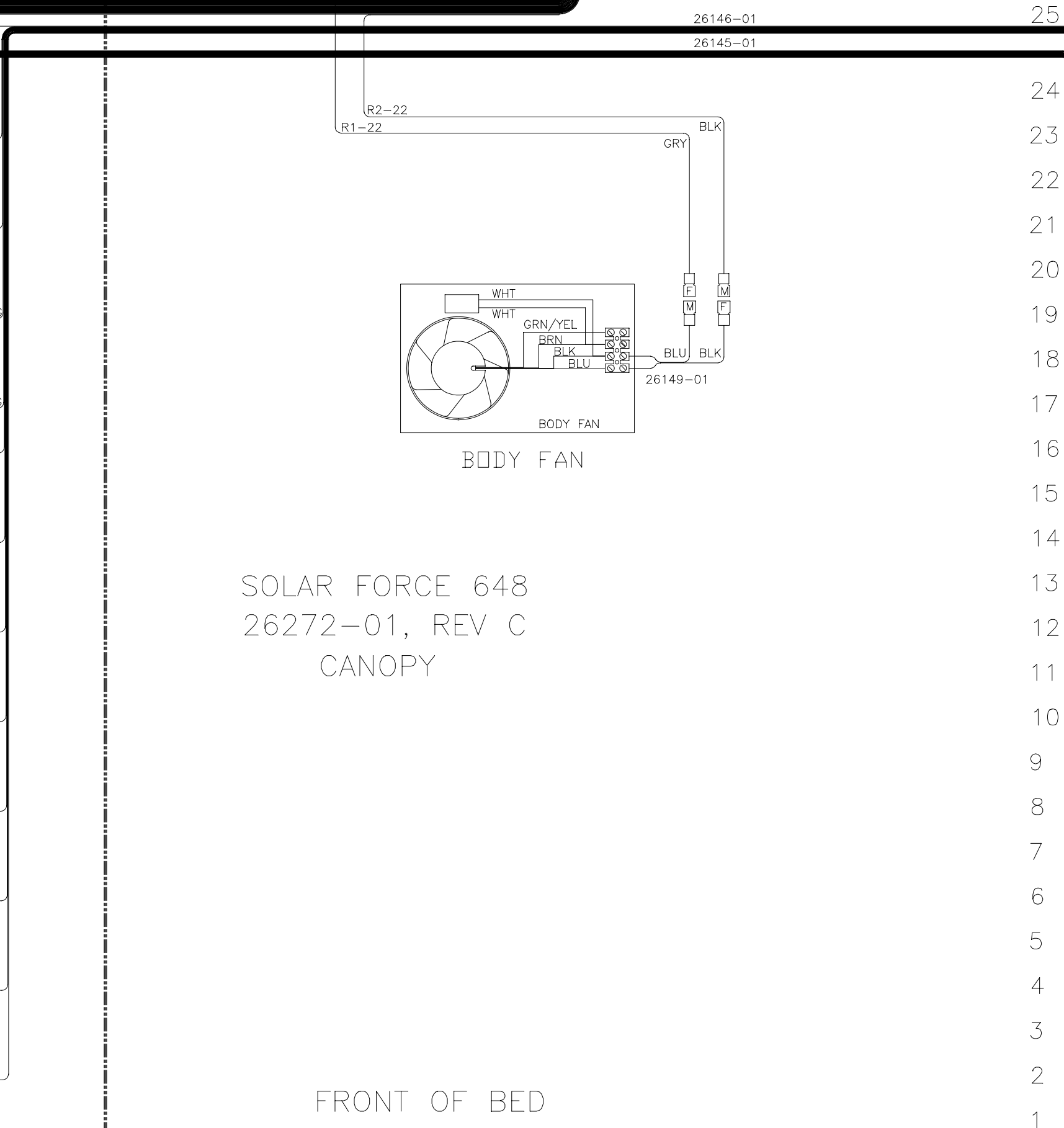
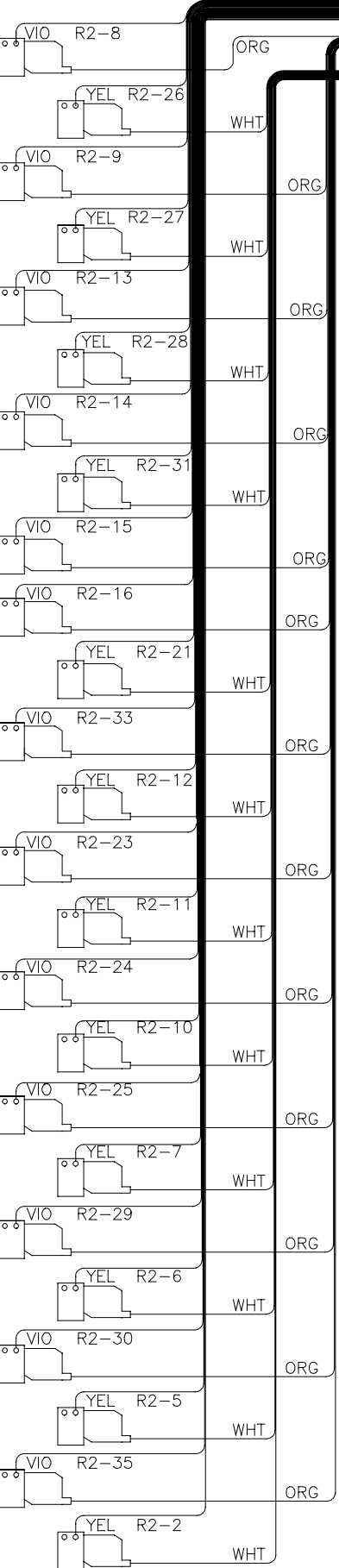
FEEDS



- R2-3 SPARE
- R2-16 SPARE
- R2-17 SPARE
- R2-18 SPARE
- R2-20 SPARE
- R2-36 SPARE
- R1-3 SPARE
- R1-16 SPARE
- R1-17 SPARE
- R1-18 SPARE
- R1-20 SPARE
- R1-36 SPARE

R2-1	RA-6	FT FAN
R2-4	RA-1	FT 1 FD
R2-34	RA-3	FT 2 FD
R2-37	RA-4	FT 3 FD

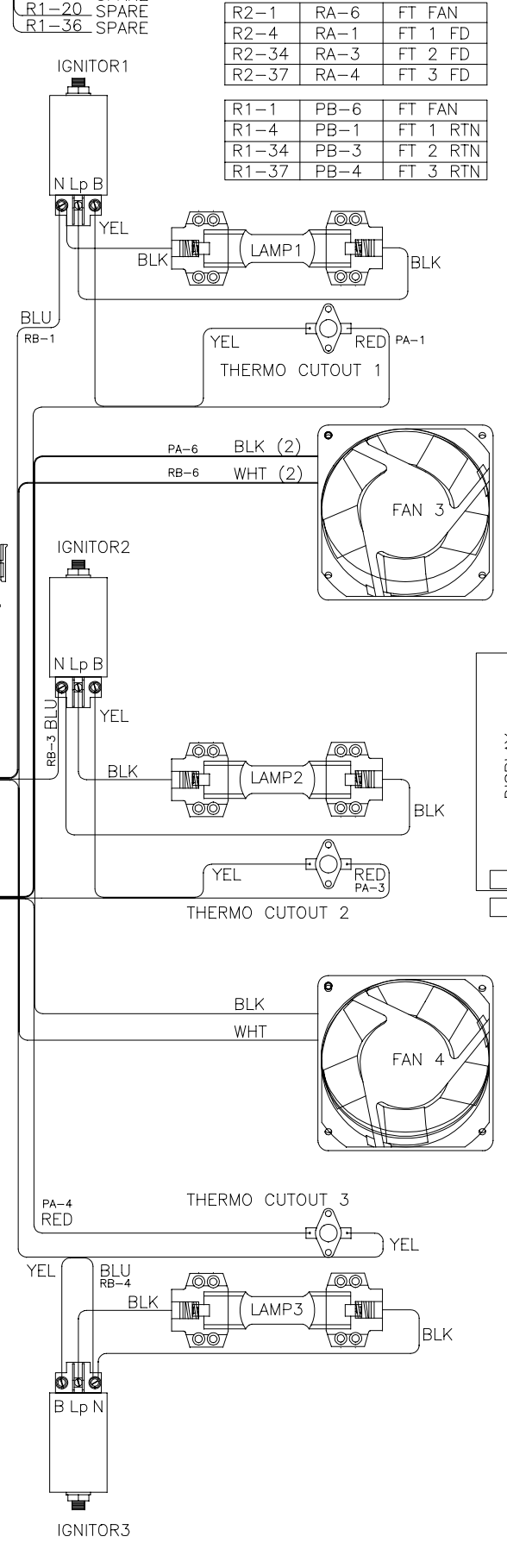
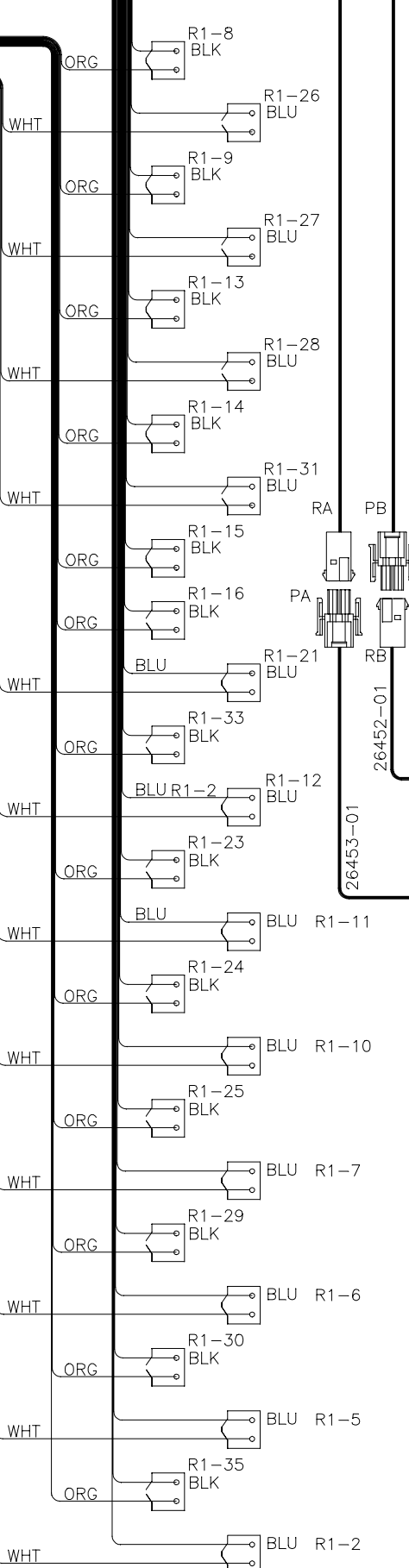
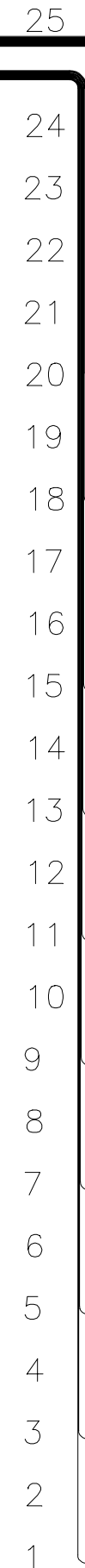
R1-1	PB-6	FT FAN
R1-4	PB-1	FT 1 RTN
R1-34	PB-3	FT 2 RTN
R1-37	PB-4	FT 3 RTN

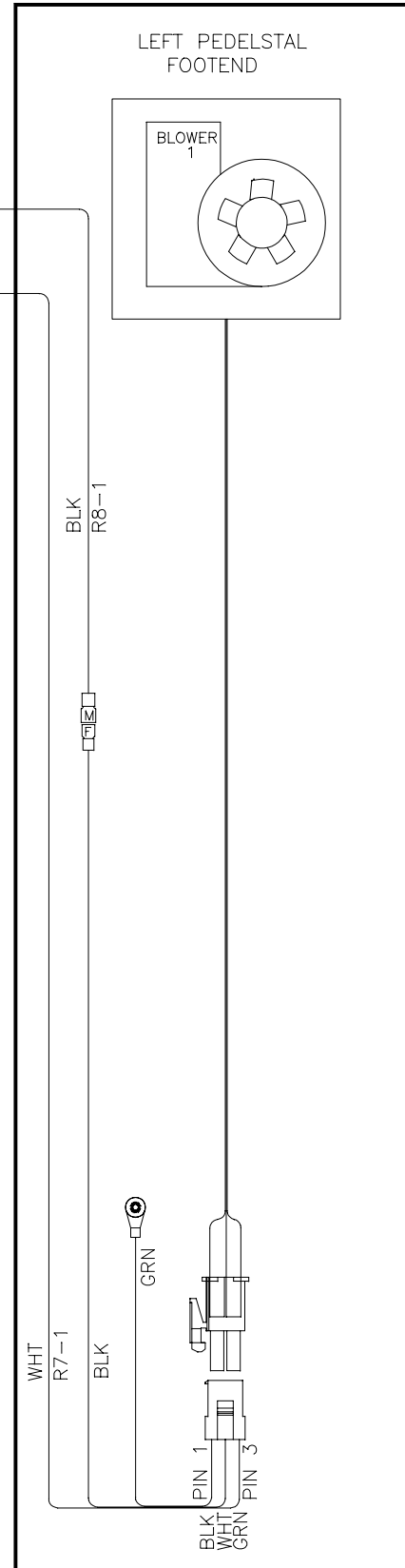
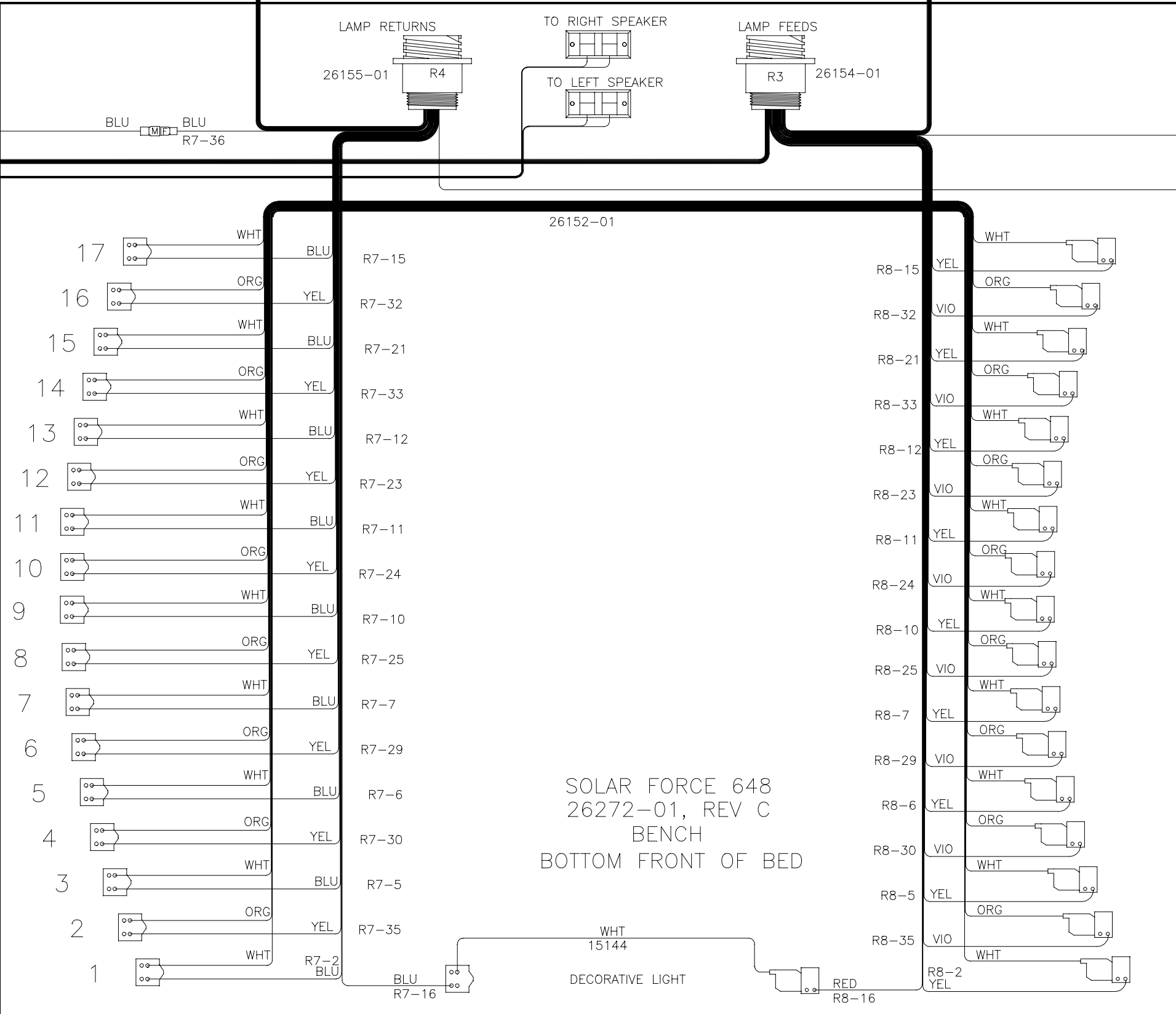
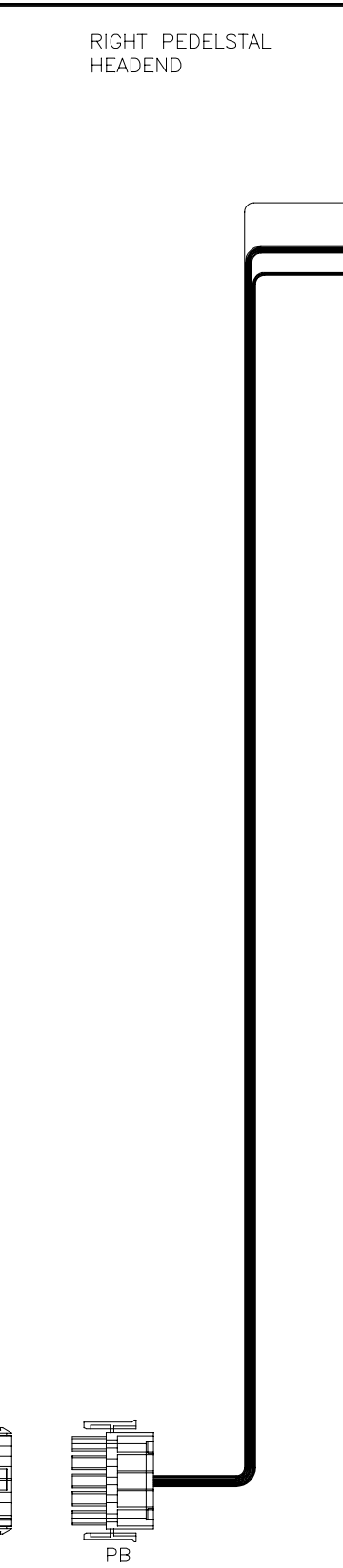
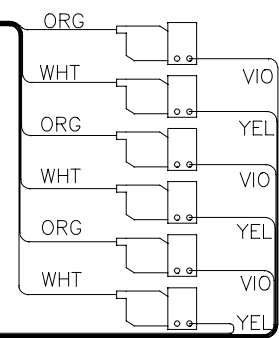
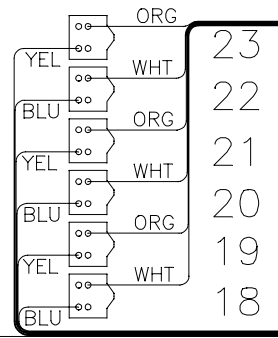
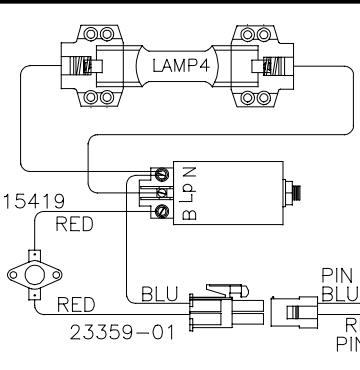
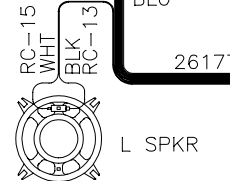
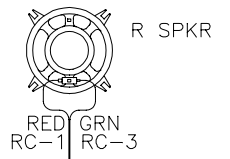


SOLAR FORCE 648
26272-01, REV C
CANOPY

FRONT OF BED

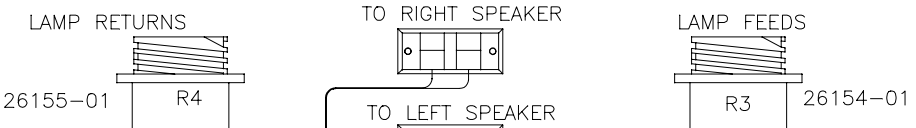
25281-03





26153-01
REAR SECTION

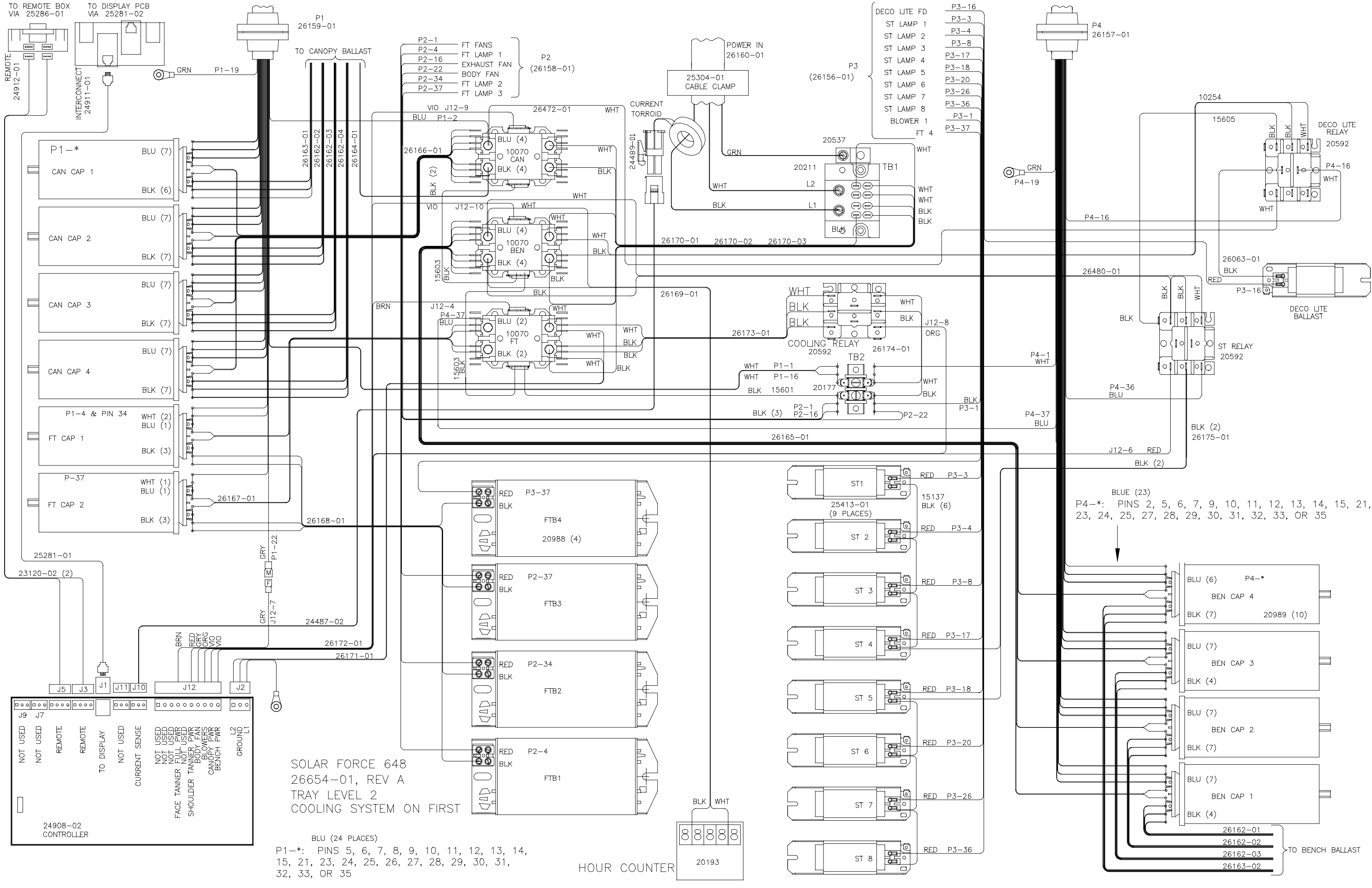
RIGHT PEDESTAL
HEADEND



LEFT PEDESTAL
FOOTEND

SOLAR FORCE 648
26272-01, REV C
BENCH
BOTTOM FRONT OF BED

DECORATIVE LIGHT

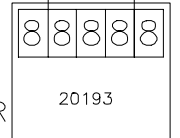


SOLAR FORCE 648
 26654-01, REV A
 TRAY LEVEL 2
 COOLING SYSTEM ON FIRST

BLU (24 PLACES)

P1-*: PINS 5, 6, 7, 8, 9, 10, 11, 12, 13, 14, 15, 21, 23, 24, 25, 26, 27, 28, 29, 30, 31, 32, 33, OR 35

HOUR COUNTER



- DECO LITE FD
- ST LAMP 1 P3-3
- ST LAMP 2 P3-4
- ST LAMP 3 P3-8
- ST LAMP 4 P3-17
- ST LAMP 5 P3-18
- ST LAMP 6 P3-20
- ST LAMP 7 P3-26
- ST LAMP 8 P3-36
- BLOWER 1 P3-1
- FT 4 P3-37

BLUE (23)
 P4-*: PINS 2, 5, 6, 7, 9, 10, 11, 12, 13, 14, 15, 21, 23, 24, 25, 27, 28, 29, 30, 31, 32, 33, OR 35

TO BENCH BALLAST

SOLAR FORCE 648
 26654-01, REV A
 TRAY LEVEL 1
 COOLING SYSTEM ON FIRST

