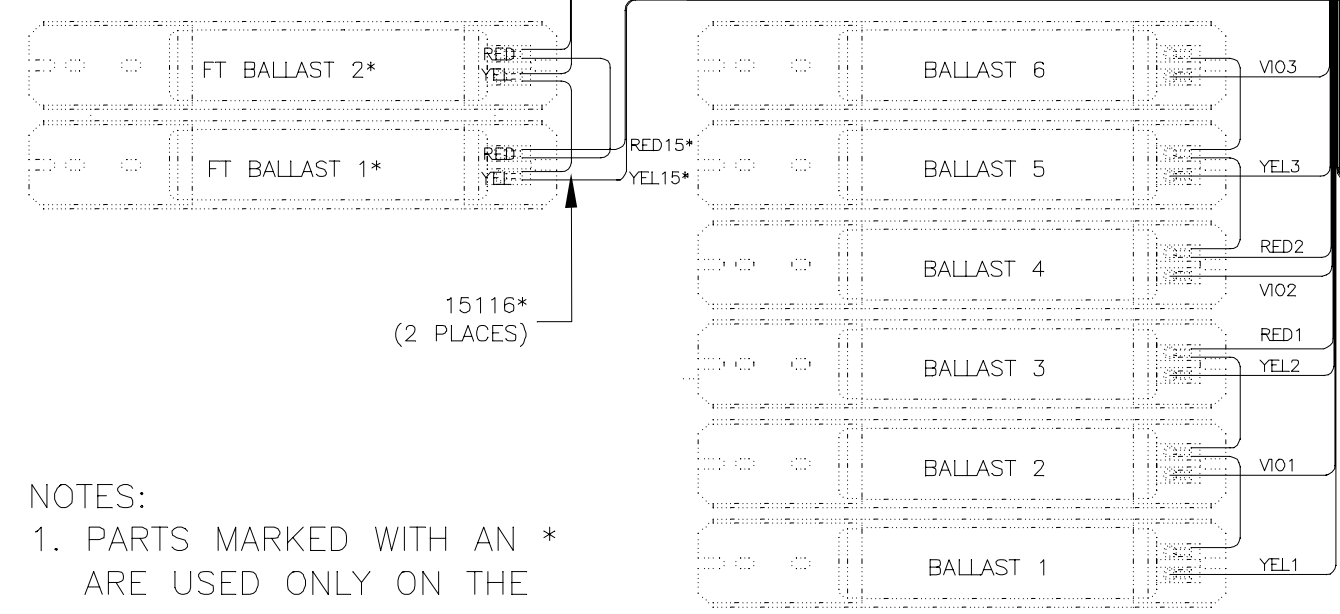
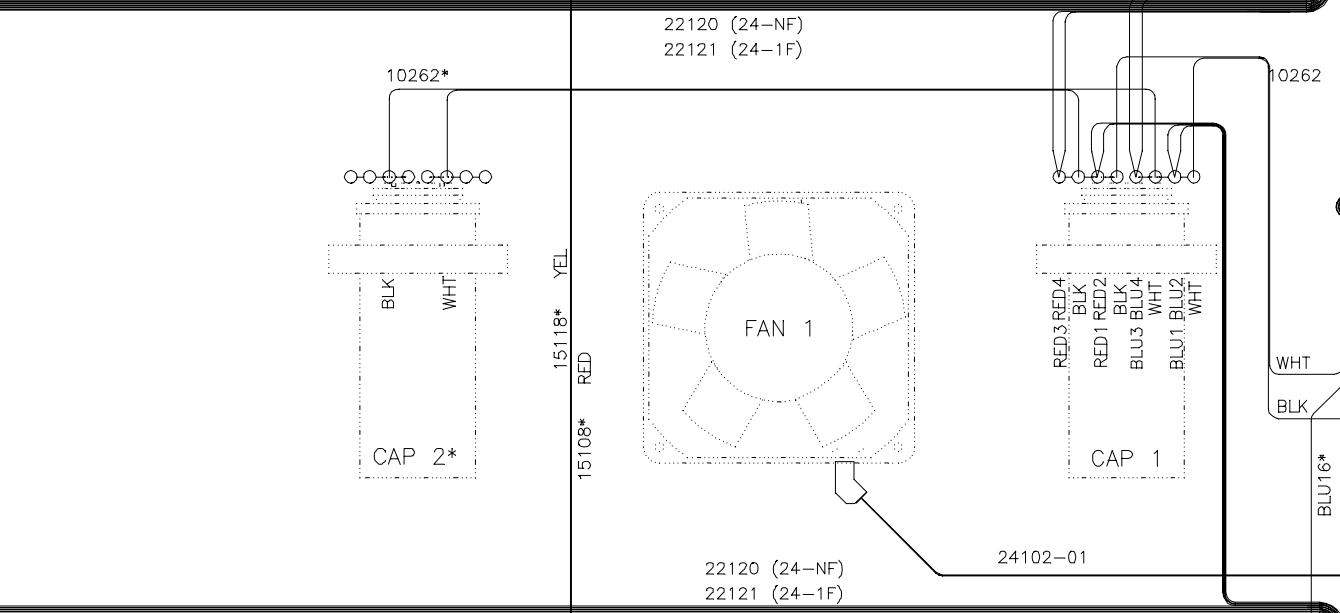
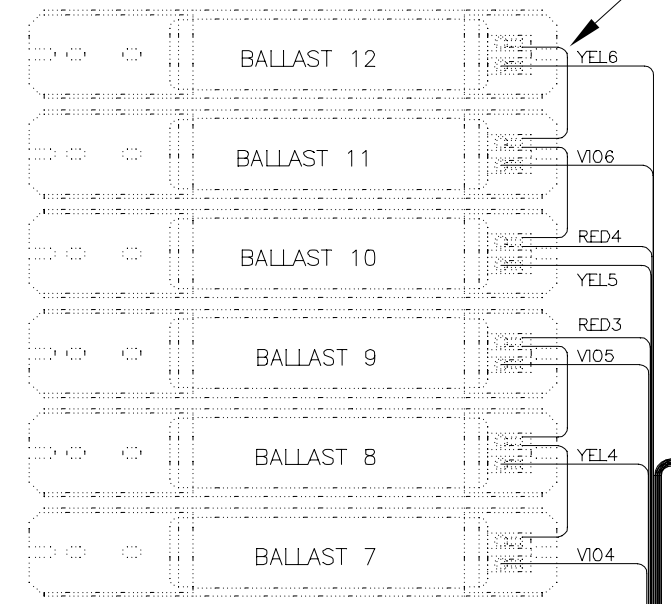
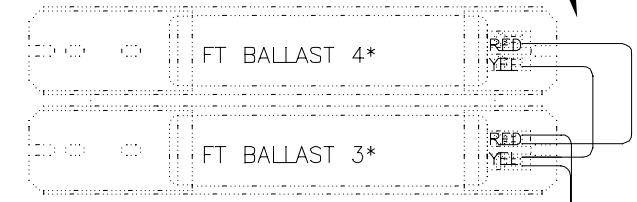
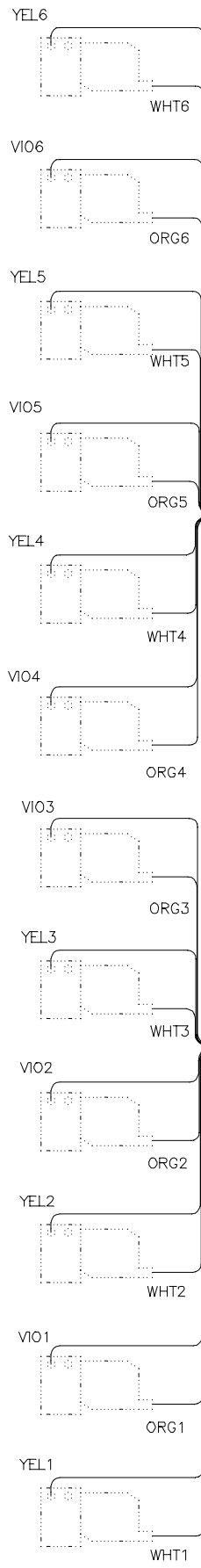


24 LAMP
RESIDENTIAL CANOPIES
26536-01, REV A

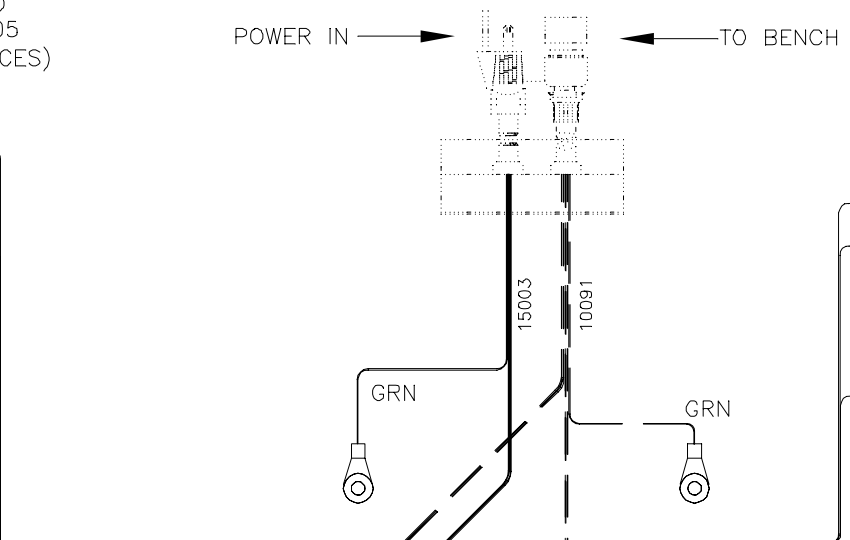
LAMP HOLDERS WITH STARTERS (12 PLACES)



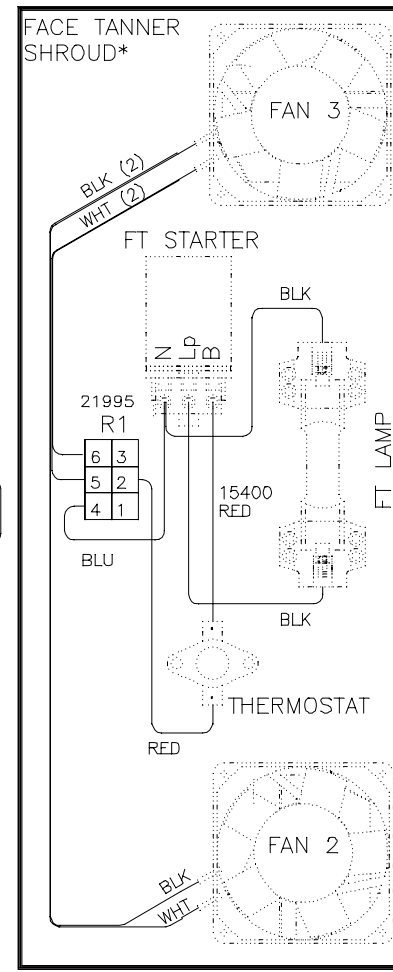
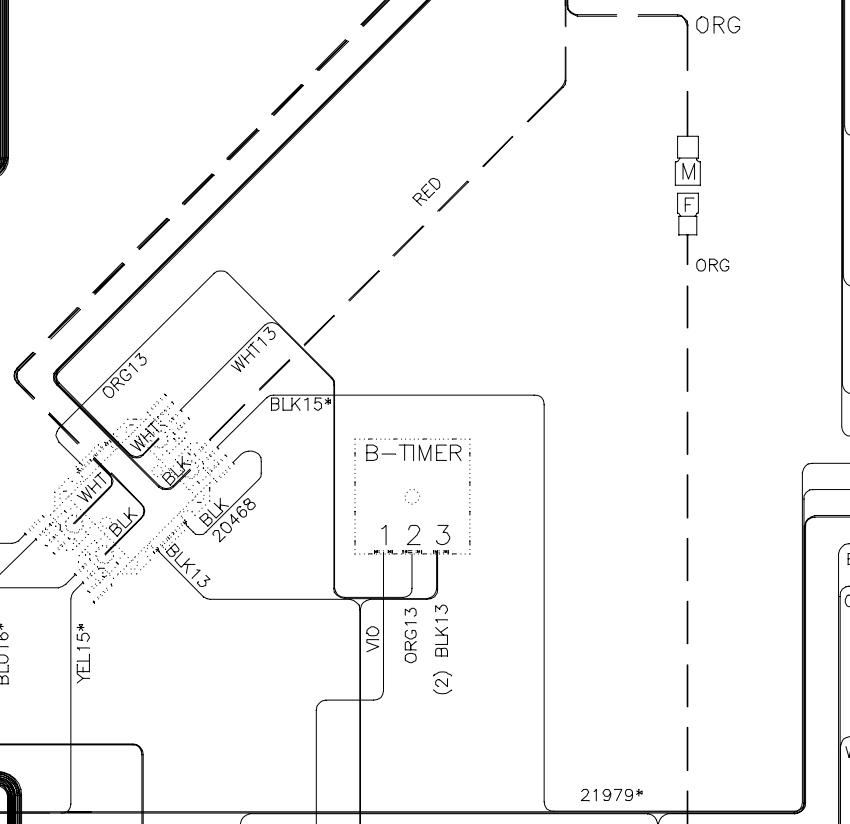
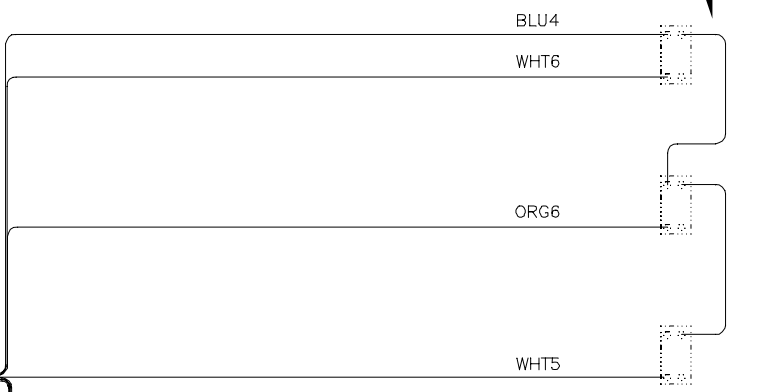
NOTES:
1. PARTS MARKED WITH AN * ARE USED ONLY ON THE FACE TANNER UNIT

TERMINAL BLOCK SWITCHED SIDE OF FANS

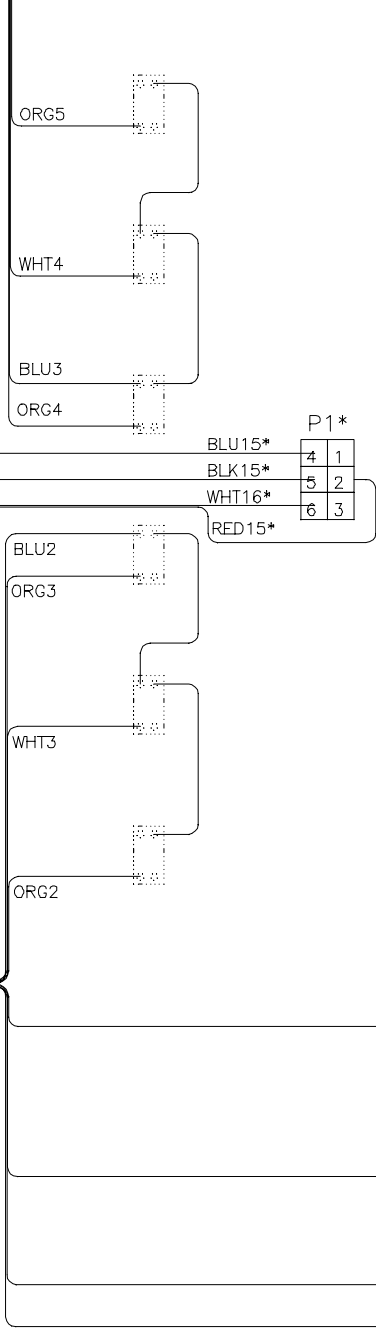
POWER IN → ← TO BENCH



BLU 15112 (8 PLACES)



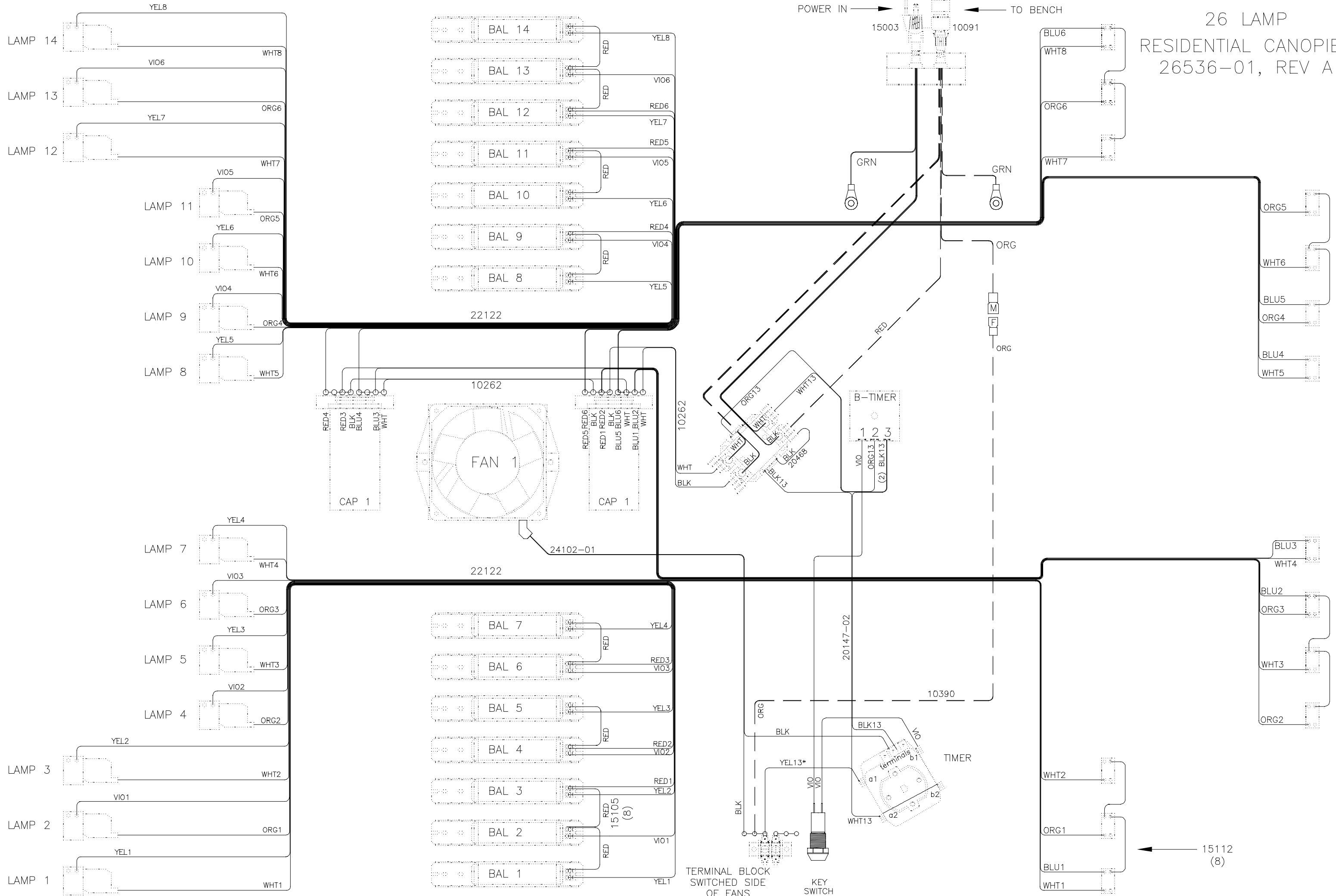
LAMP HOLDERS (12 PLACES)



P1*

BLU15*	4	1
BLK15*	5	2
WHT16*	6	3

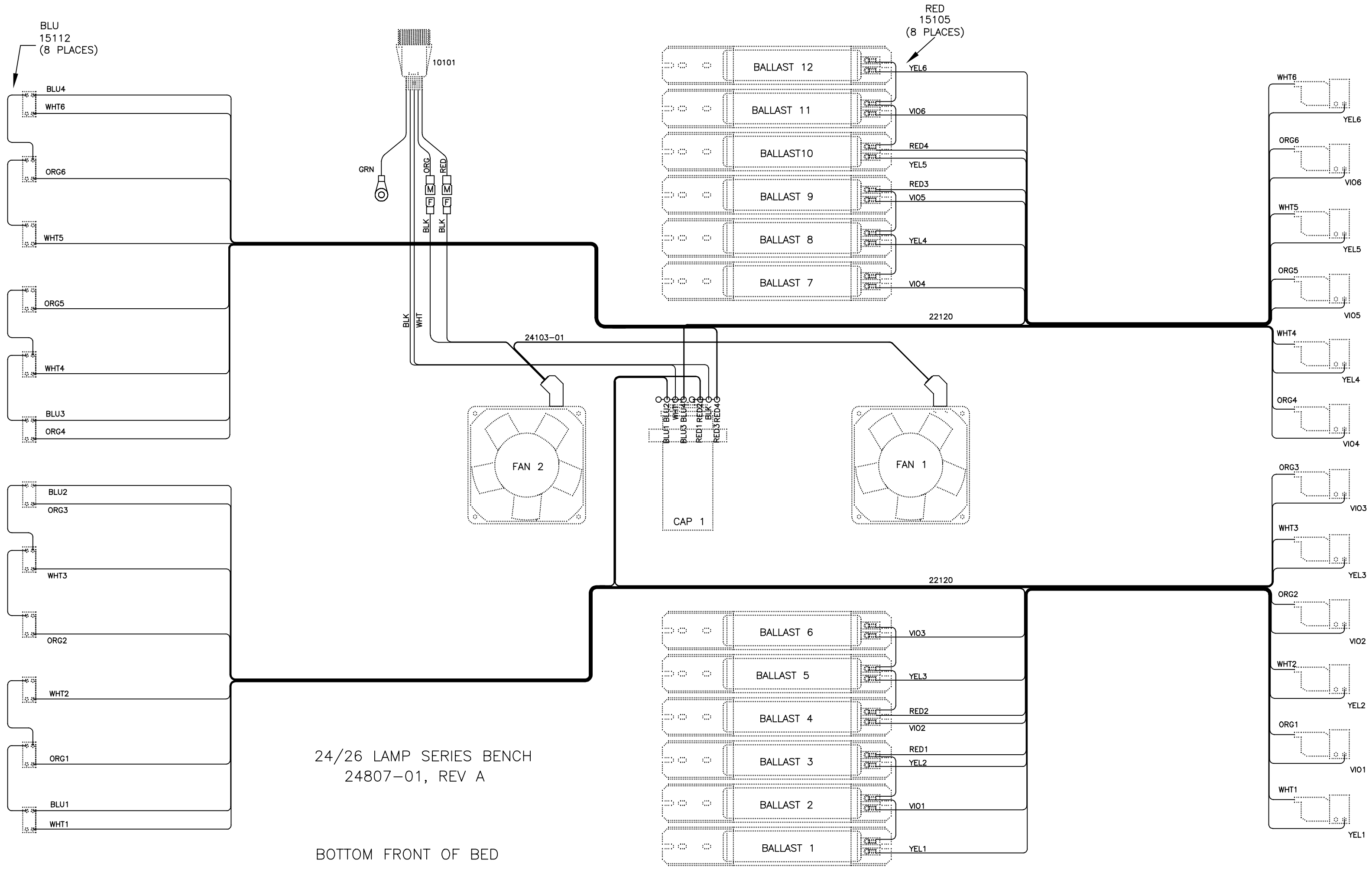
26 LAMP
RESIDENTIAL CANOPIES
26536-01, REV A



TERMINAL BLOCK
SWITCHED SIDE
OF FANS

KEY
SWITCH

15112
(8)



24/26 LAMP SERIES BENCH
24807-01, REV A

BOTTOM FRONT OF BED