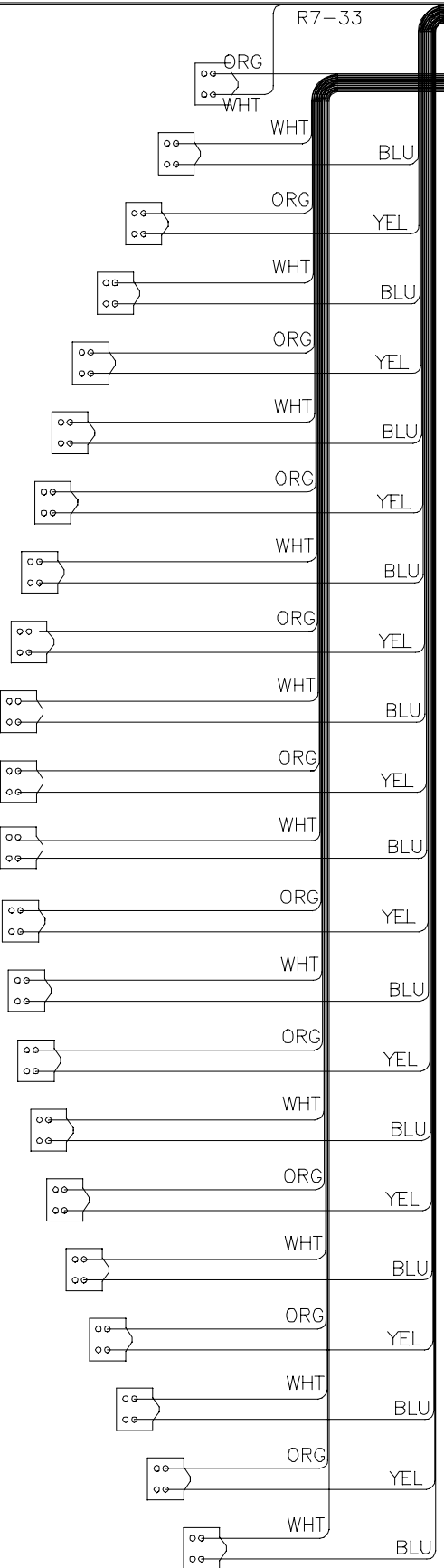
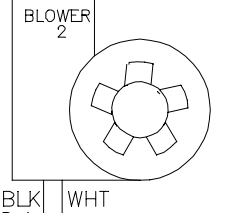
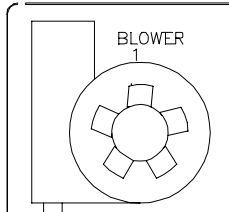
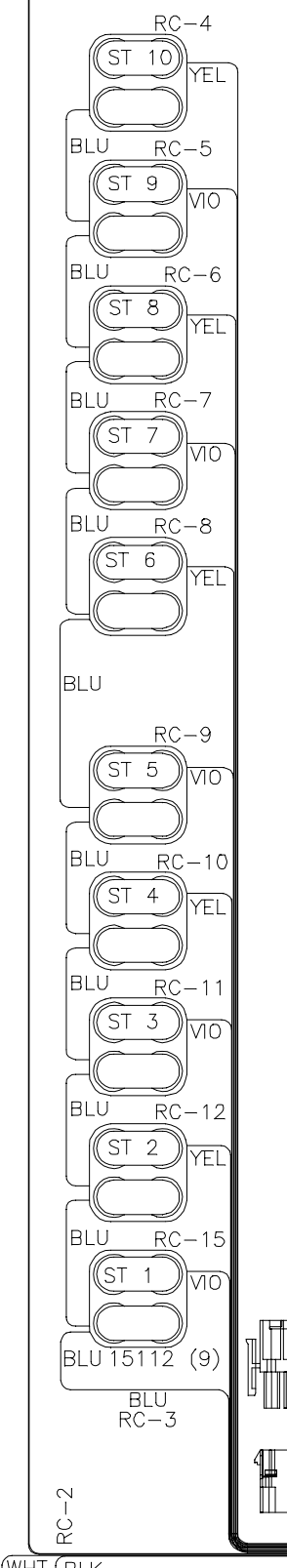


EXHAUST FANS

R5	R10	FUNCTION
PIN 24	PIN 1	FAN 1 FD
PIN 20	PIN 3	FAN 1 RTN
PIN 21	PIN 4	FAN 2 FD
PIN 19	PIN 6	FAN 2 RTN
PIN 22	PIN 7	FAN 3 FD
PIN 23	PIN 9	FAN 3 RTN

RIGHT PEDESTAL

LEFT PEDESTAL



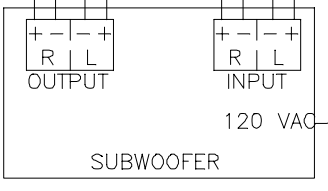
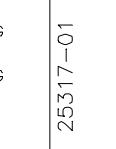
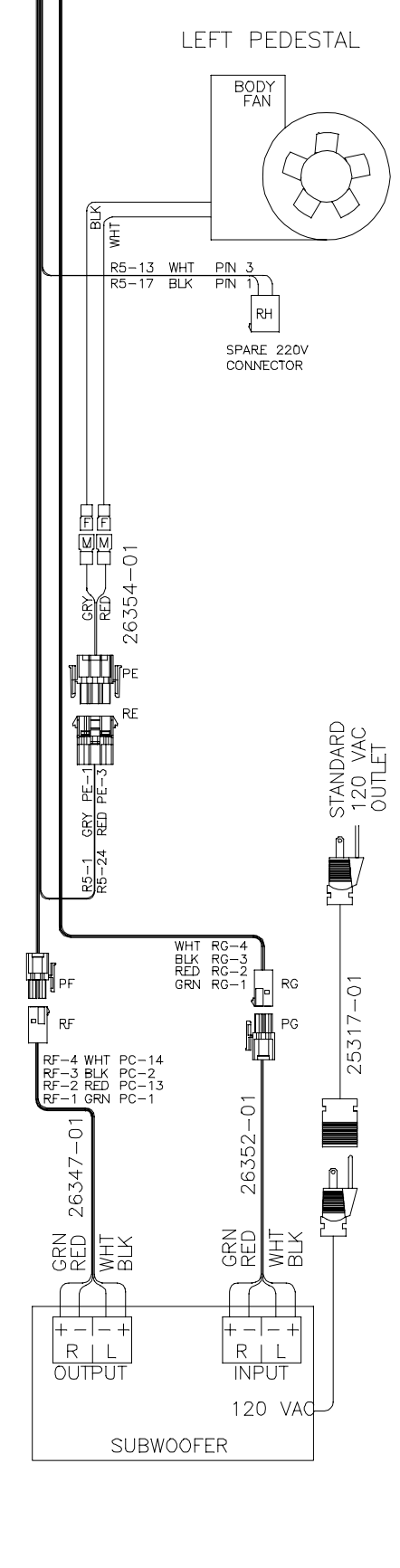
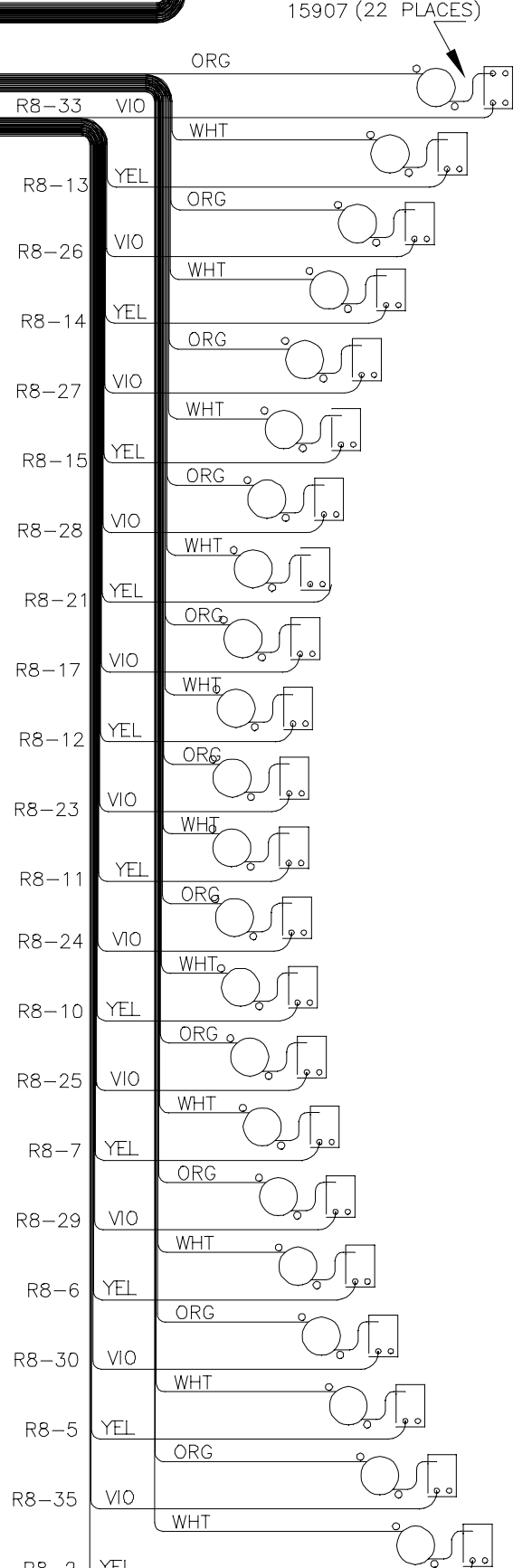
R7	R9	FUNCTION
PIN 9	PIN 19	REAR 1 RTN
PIN 32	PIN 18	REAR 2 RTN
PIN 8	PIN 17	REAR 3 RTN
PIN 31	PIN 16	REAR 4 RTN
PIN 3	PIN 15	REAR 5 RTN
PIN 36	PIN 14	REAR 6 RTN
PIN 20	PIN 13	REAR 7 RTN
PIN 37	PIN 12	FT 5 RTN

R9	PA/RA	R8	FUNCTION
PIN 1	PIN 1	PIN 9	REAR 1 FD
PIN 2	PIN 2	PIN 32	REAR 2 FD
PIN 3	PIN 3	PIN 8	REAR 3 FD
PIN 4	PIN 4	PIN 31	REAR 4 FD
PIN 5	PIN 5	PIN 3	REAR 5 FD
PIN 6	PIN 6	PIN 36	REAR 6 FD
PIN 7	PIN 7	PIN 20	REAR 7 FD
PIN 8	PIN 9	PIN 37	FT 5 FD

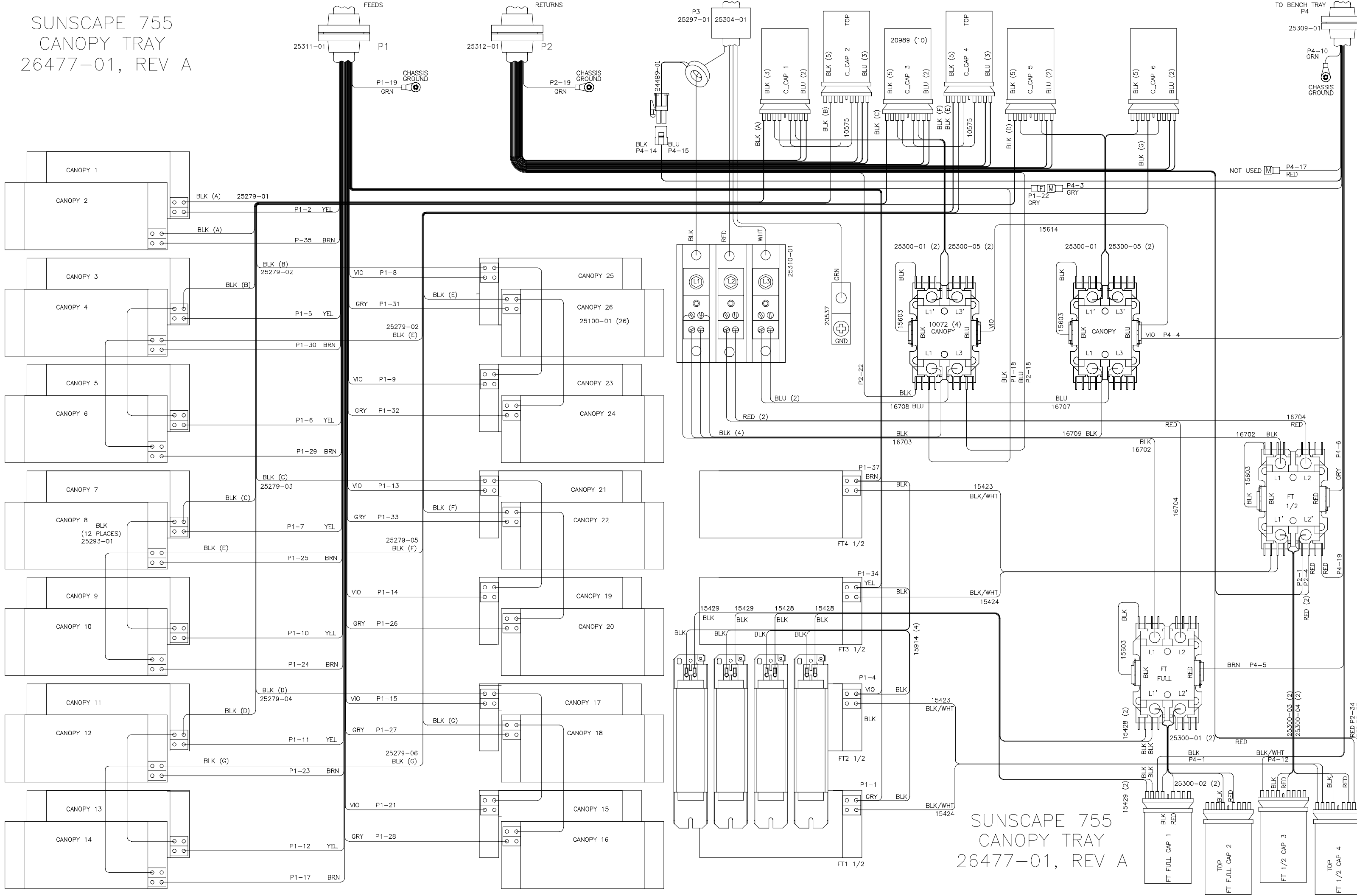
R5	PC/RC	FUNCTION
PIN 2	PIN 9	ST 5
PIN 3	PIN 8	ST 6
PIN 4	PIN 10	ST 4
PIN 5	PIN 7	ST 7
PIN 6	PIN 11	ST 3
PIN 7	PIN 6	ST 8
PIN 8	PIN 12	ST 2
PIN 9	PIN 5	ST 9
PIN 10	PIN 15	ST 1
PIN 11	PIN 4	ST 10
PIN 12	NA	GROUND
PIN 15	PIN 3	ST RETURN
	PIN 13	RIGHT SPKR -
	PIN 2	LEFT SPKR +
	PIN 14	LFET SPKR -
	PIN 1	RIGHT SPKR +

SUNSCAPE 755 BENCH
26345-01, REV A

BOTTOM FRONT OF BED
BOTTOM SIDE UP

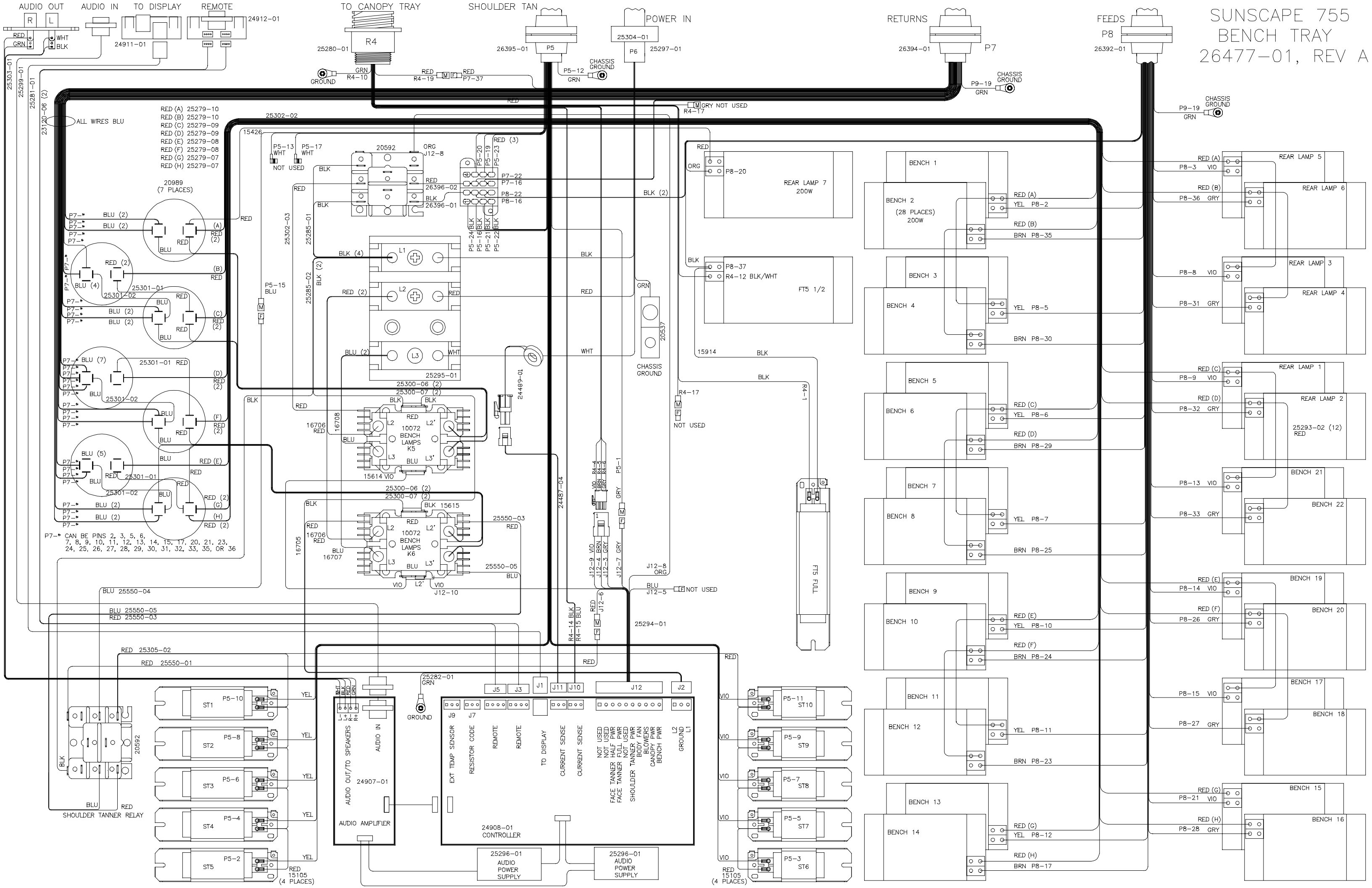


SUNSCAPE 755
CANOPY TRAY
26477-01, REV A

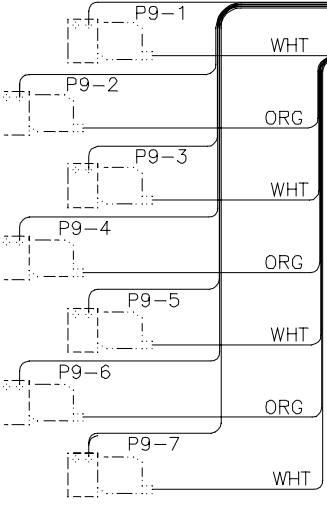
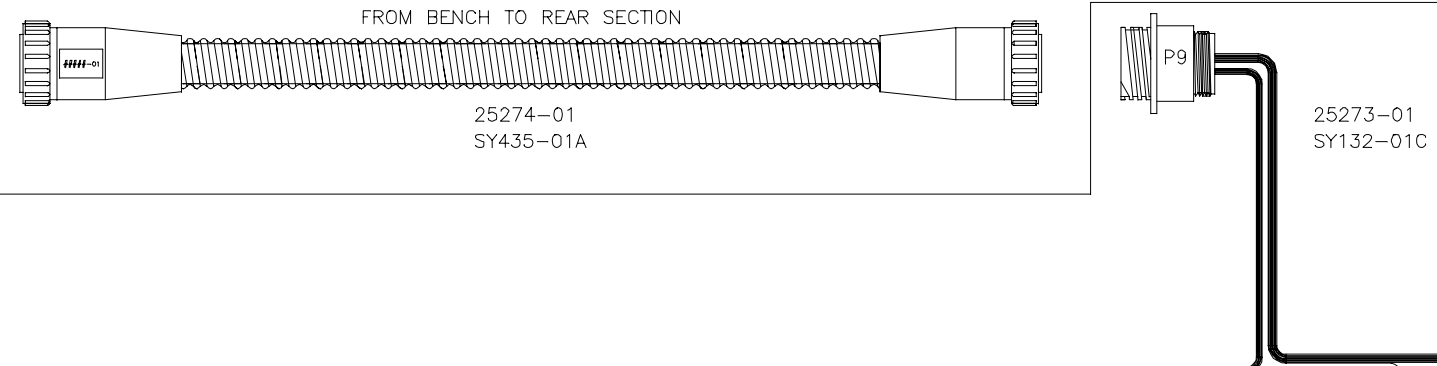


SUNSCAPE 755
CANOPY TRAY
26477-01, REV A

SUNSCAPE 755 BENCH TRAY 26477-01, REV A

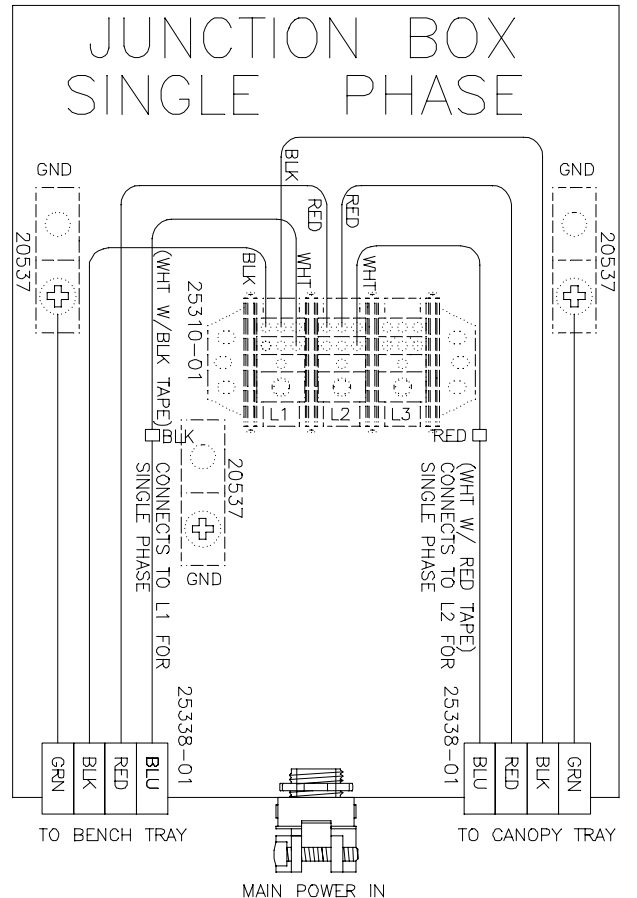
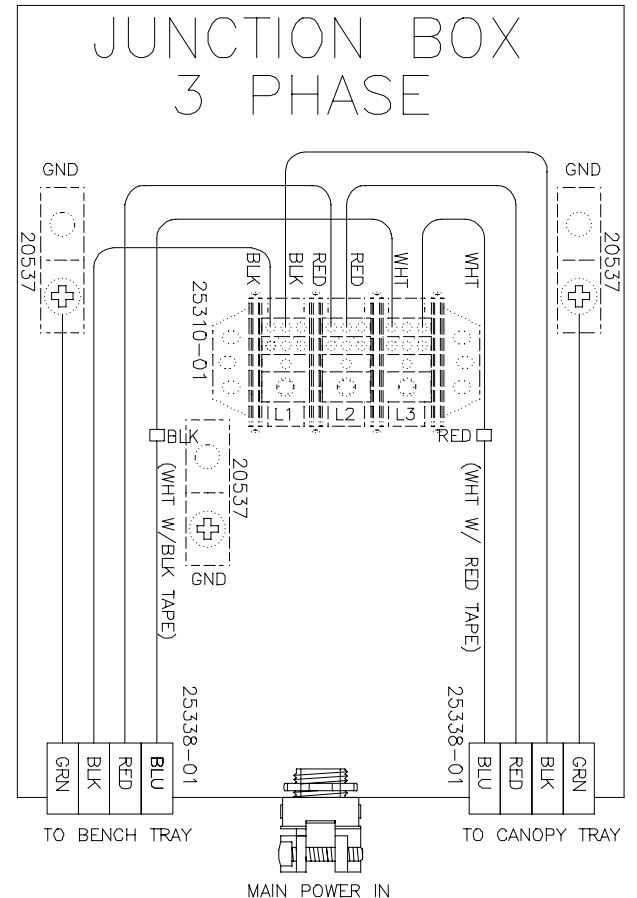
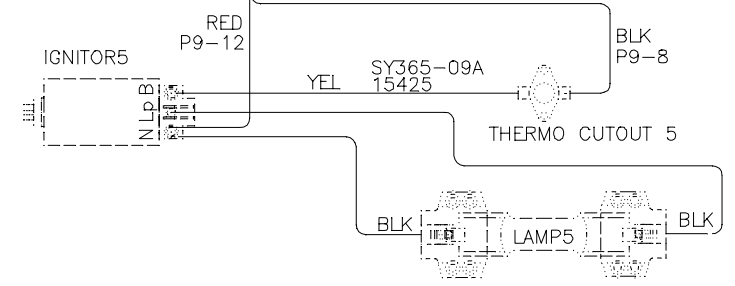
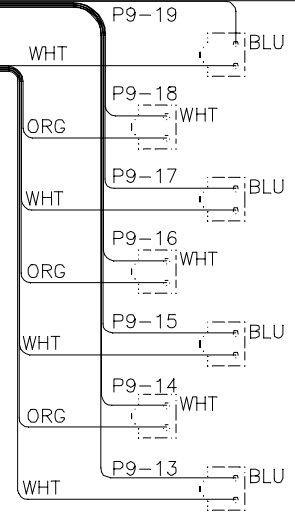
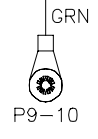


SUNSCAPE 755 REAR SECTION 26413-01, REV A

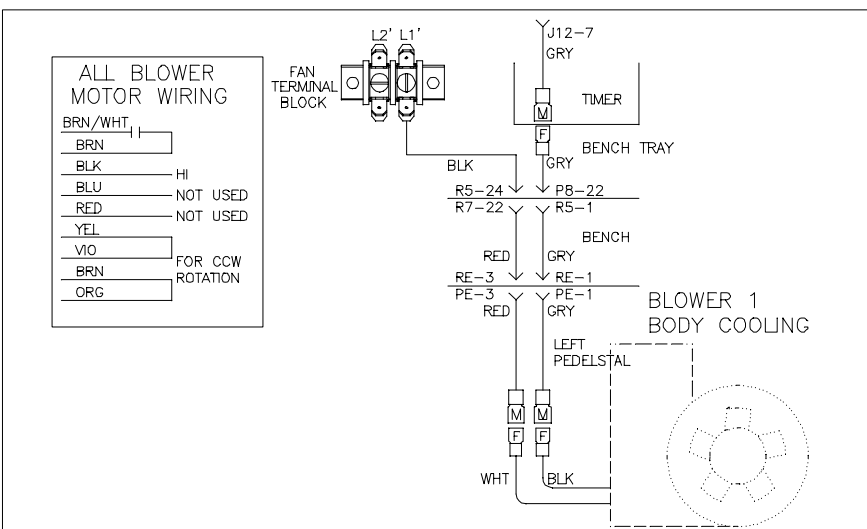
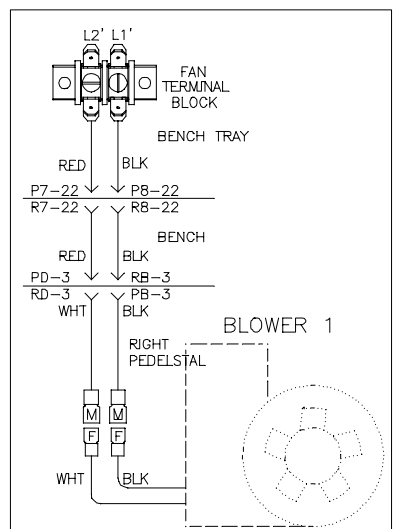
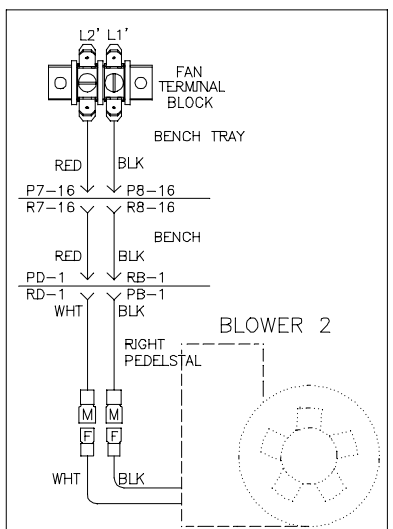
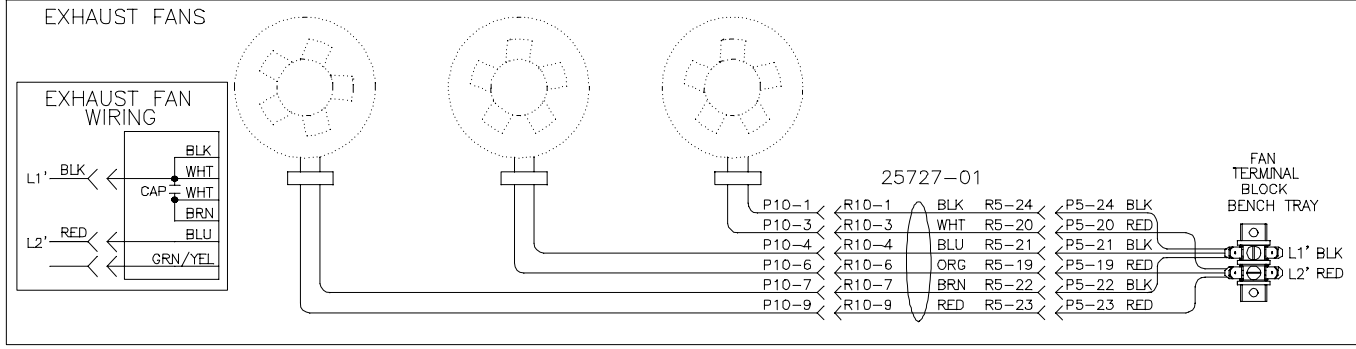


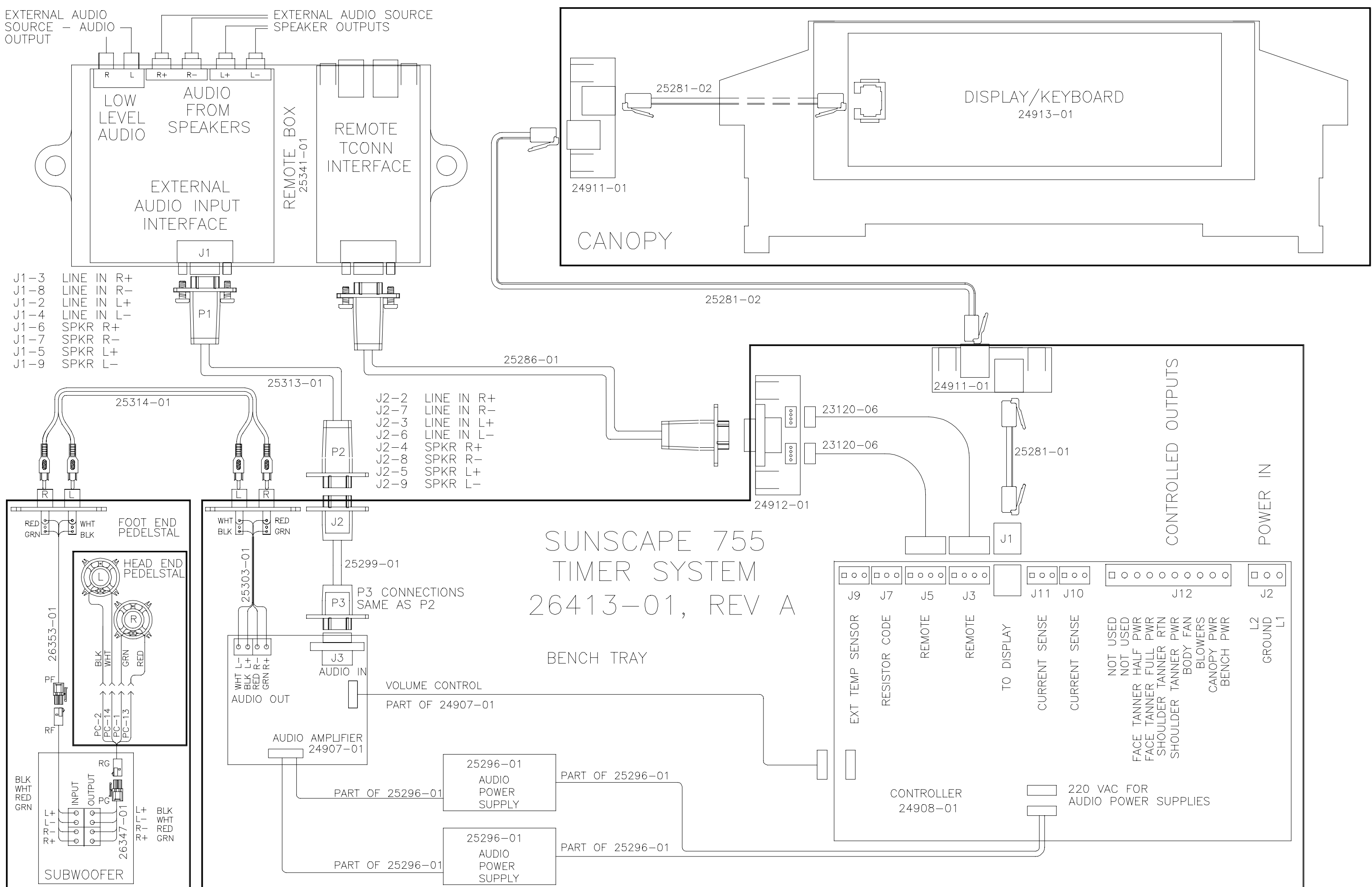
WARNING: ALTERING THE DESIGN, TIMER SYSTEM, OR WIRING FROM THAT SHOWN HEREIN, WILL VOID THE WARRANTY, AND MAY RESULT IN A VIOLATION OF FEDERAL LAW.

25272-01
SY275-01A



COOLING





EXTERNAL AUDIO SOURCE - AUDIO OUTPUT

EXTERNAL AUDIO SOURCE SPEAKER OUTPUTS

LOW LEVEL AUDIO

AUDIO FROM SPEAKERS

REMOTE TCONN INTERFACE

EXTERNAL AUDIO INPUT INTERFACE

REMOTE BOX 25341-01

CANOPY

DISPLAY/KEYBOARD 24913-01

- J1-3 LINE IN R+
- J1-8 LINE IN R-
- J1-2 LINE IN L+
- J1-4 LINE IN L-
- J1-6 SPKR R+
- J1-7 SPKR R-
- J1-5 SPKR L+
- J1-9 SPKR L-

- J2-2 LINE IN R+
- J2-7 LINE IN R-
- J2-3 LINE IN L+
- J2-6 LINE IN L-
- J2-4 SPKR R+
- J2-8 SPKR R-
- J2-5 SPKR L+
- J2-9 SPKR L-

SUNSCAPE 755 TIMER SYSTEM 26413-01, REV A

BENCH TRAY

CONTROLLED OUTPUTS

POWER IN

RED WHT GRN BLK FOOT END PEDELSTAL

WHT BLK RED GRN HEAD END PEDELSTAL

BLK WHT RED GRN INPUT OUTPUT PC-14 PC-13

SUBWOOFER

WHT L- BLK L+ RED R- GRN R+ AUDIO IN

AUDIO OUT

VOLUME CONTROL PART OF 24907-01

AUDIO AMPLIFIER 24907-01

25296-01 AUDIO POWER SUPPLY

25296-01 AUDIO POWER SUPPLY

J9 J7 J5 J3 J11 J10 J12 J2

EXT TEMP SENSOR
RESISTOR CODE
REMOTE
REMOTE
TO DISPLAY
CURRENT SENSE
CURRENT SENSE
NOT USED
NOT USED
FACE TANNER HALF PWR
FACE TANNER FULL PWR
SHOULDER TANNER RTN
SHOULDER TANNER PWR
BODY FAN
BLOWERS
CANOPY PWR
BENCH PWR
L2
GROUND
L1

CONTROLLER 24908-01

220 VAC FOR AUDIO POWER SUPPLIES