

TO LEFT DOOR  
26457-01  
SZ333-01

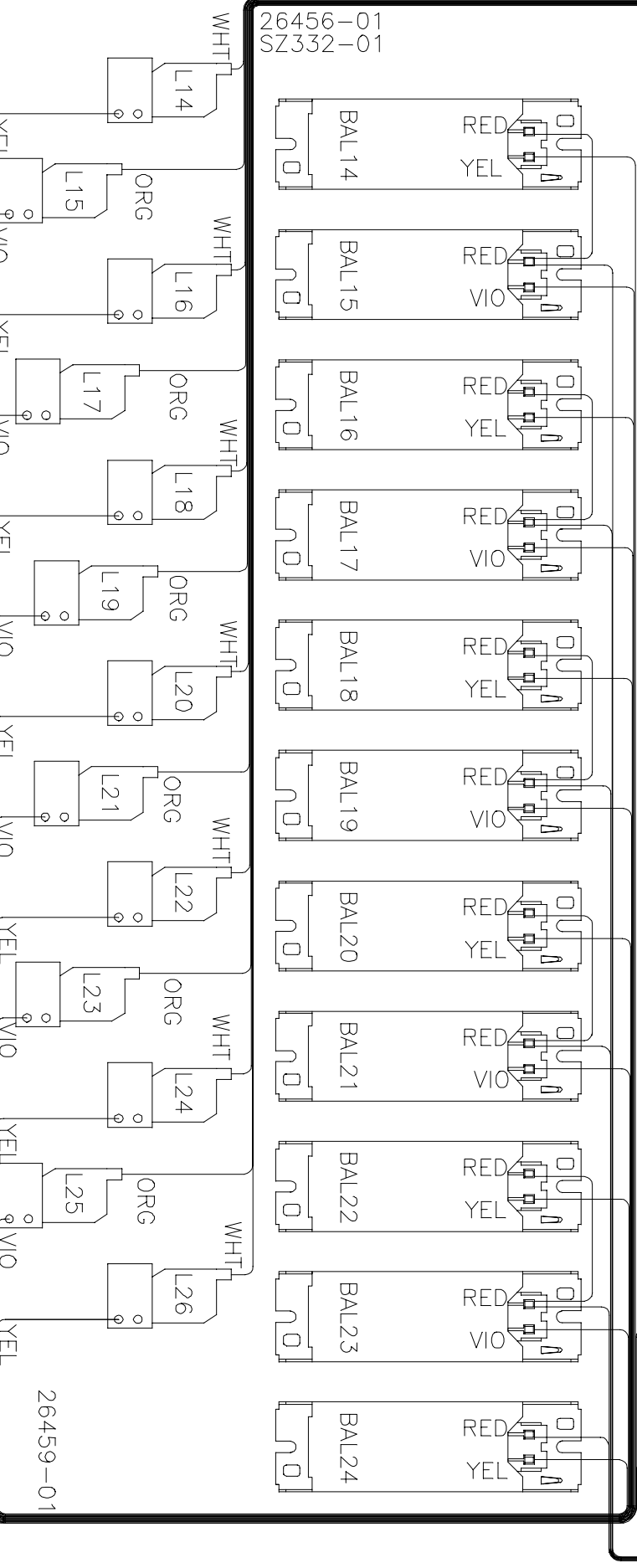
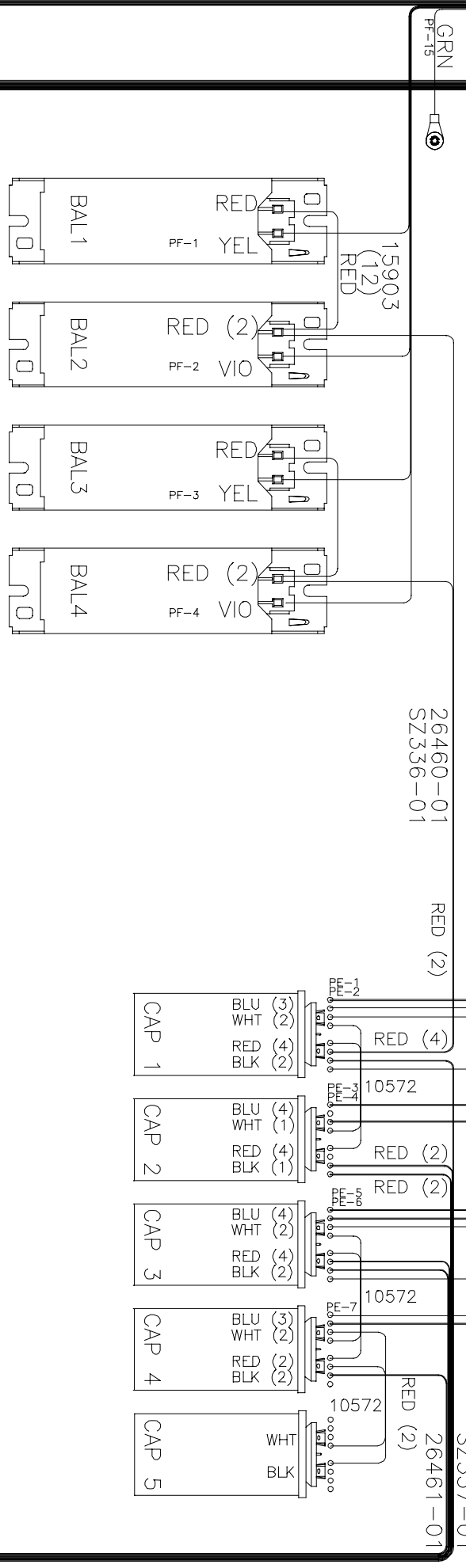
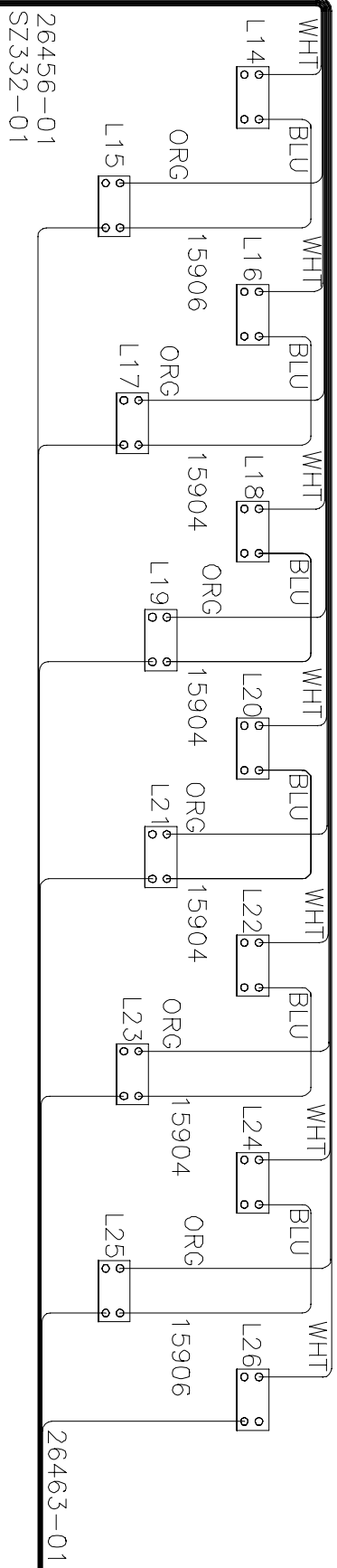
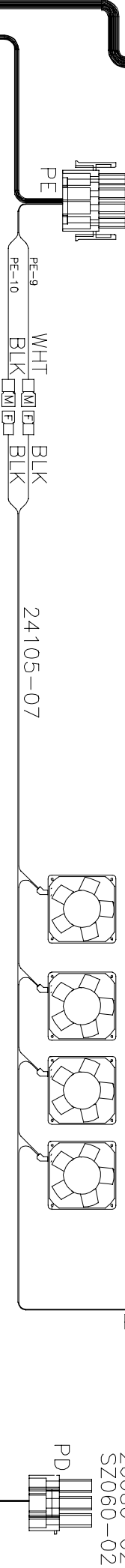
# LEFT MODULE 652V 26465-01, REV A WIRING FROM LAMP SIDE

TO RIGHT MODULE

RC  
1 2

TO RIGHT MODULE  
26080-02  
SZ080-02

TO LEFT DOOR  
26458-01  
SZ334-01

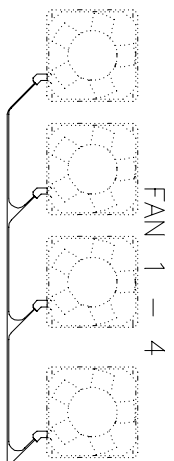




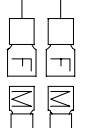
26466-01, REV A  
 LEFT DOOR  
 WIRING SHOWN FROM LAMP SIDE

FROM LEFT MODULE  
 LAMP RETURNS  
 26471-01

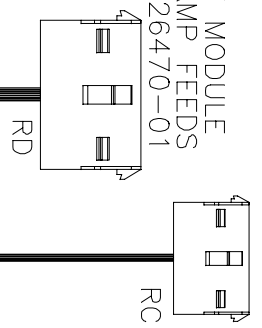
FROM LEFT MODULE  
 LAMP FEEDS  
 26470-01



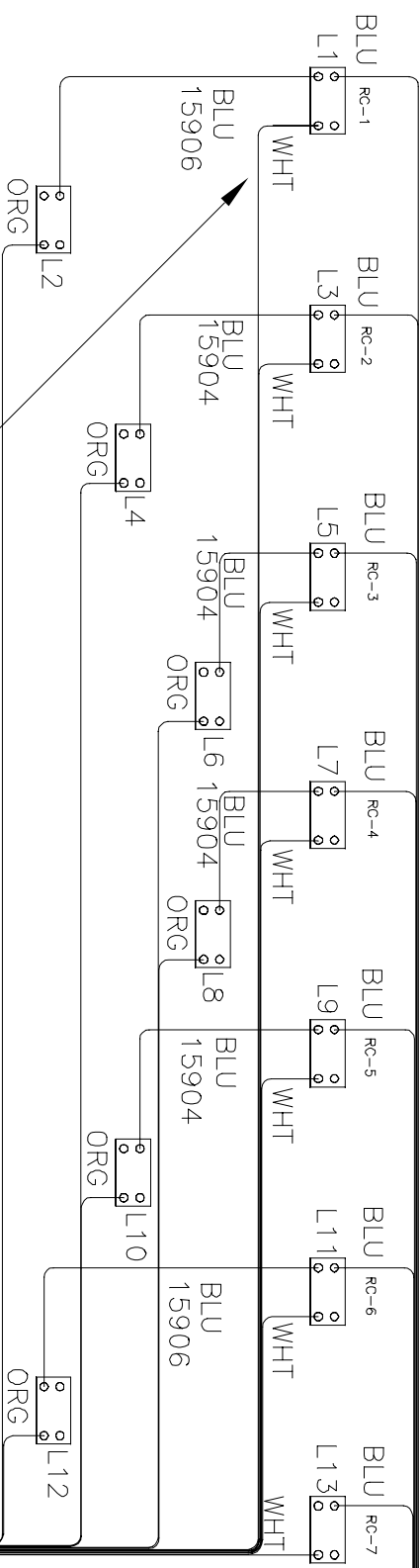
24105-05



BLK RC-10  
 WHT RC-9



RD

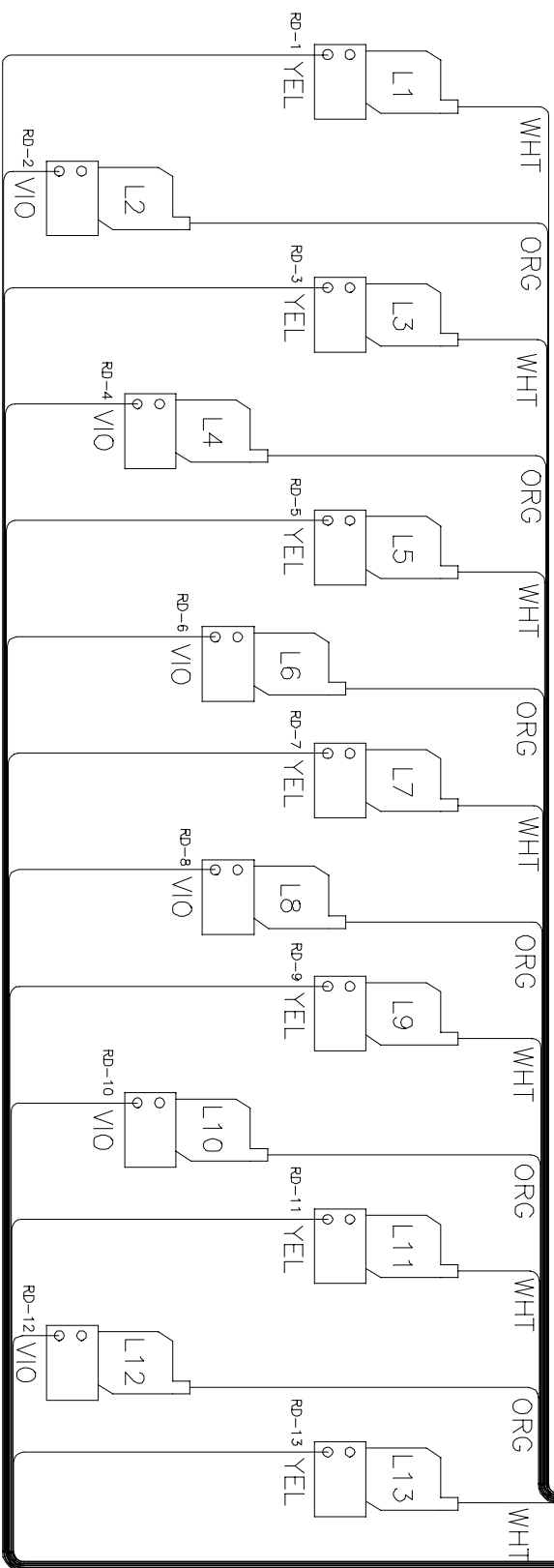


NOTE:  
 1. LONG WHITE WIRE OF  
 HARNESS GOES TO THE TOP

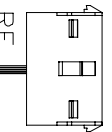
GRN RD-15

26456-01

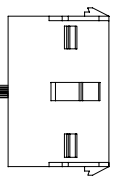
26470-01



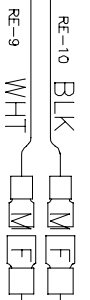
FROM RIGHT MODULE  
LAMP RETURNS  
26471-01



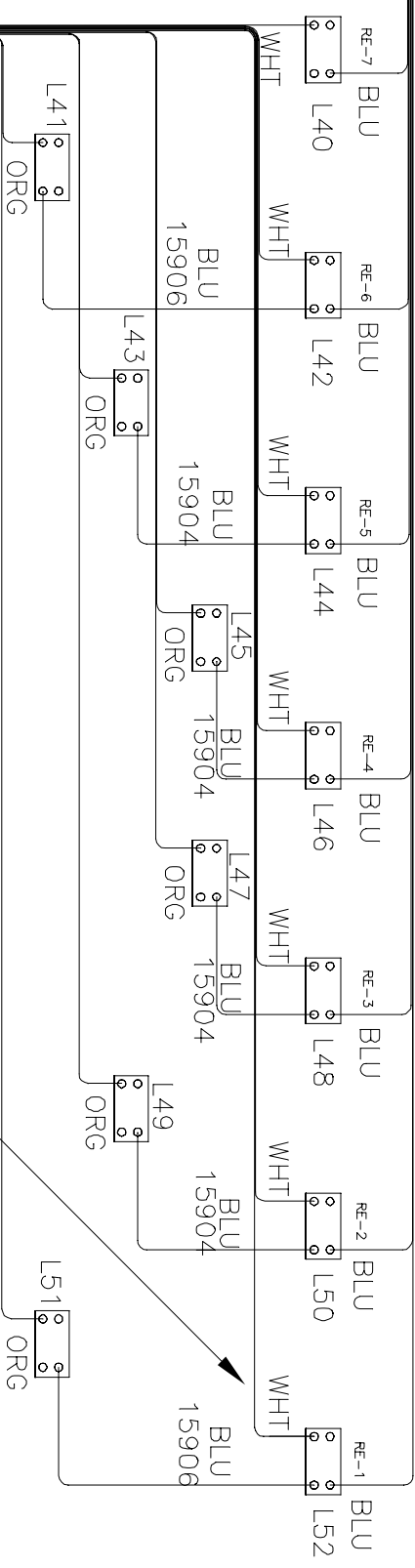
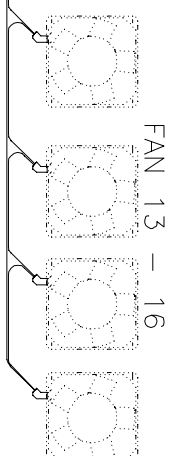
FROM RIGHT MODULE  
LAMP FEEDS  
26470-01



26466-01, REV A  
RIGHT DOOR  
WIRING SHOWN FROM LAMP SIDE



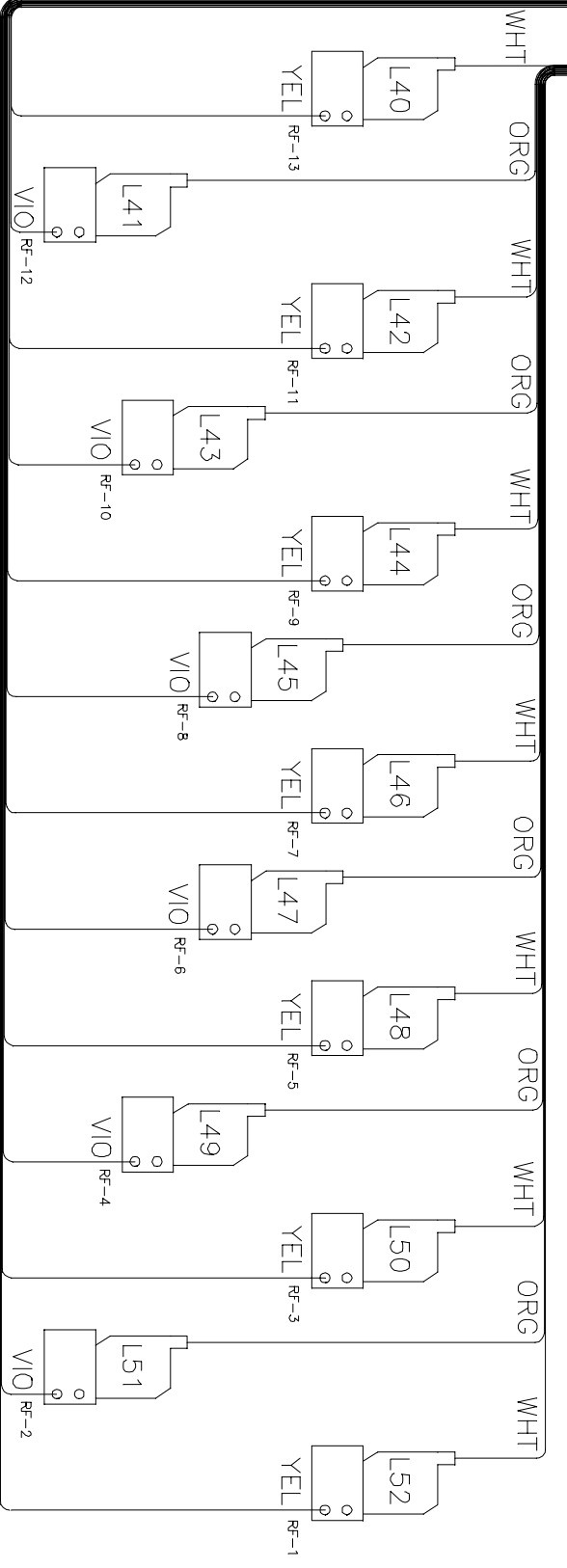
24105-05



NOTE:  
1. LONG WHITE WIRE OF  
HARNES GOES TO THE TOP

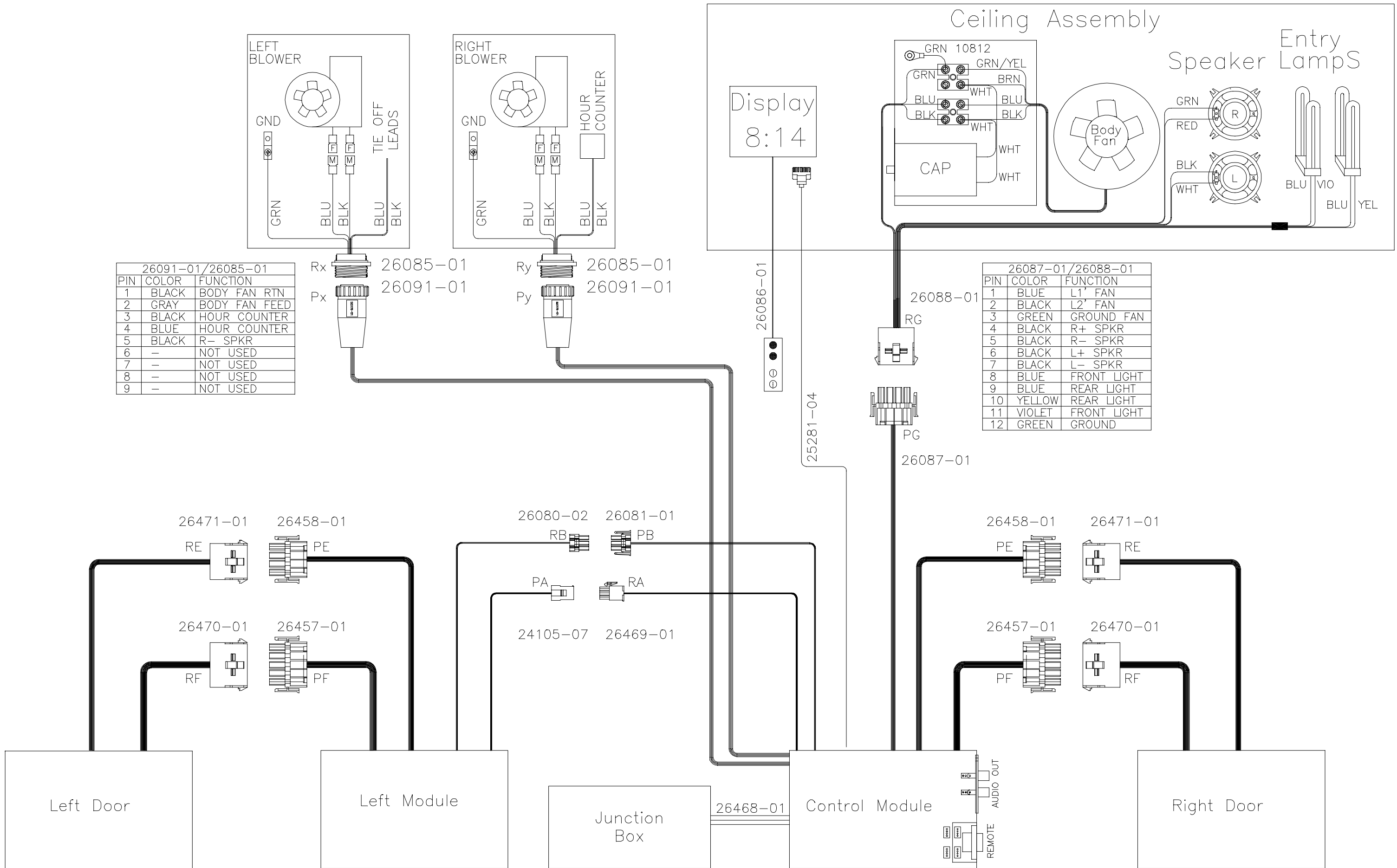
26470-01

26456-01



WARNING: ALTERING THE DESIGN, TIMER SYSTEM, OR WIRING FROM THAT SHOWN HEREIN, WILL VOID THE WARRANTY, AND MAY RESULT IN A VIOLATION OF FEDERAL LAW.

# INTERCONNECT DIAGRAM 652V 26467-01, REV A



26091-01/26085-01		
PIN	COLOR	FUNCTION
1	BLACK	BODY FAN RTN
2	GRAY	BODY FAN FEED
3	BLACK	HOUR COUNTER
4	BLUE	HOUR COUNTER
5	BLACK	R- SPKR
6	-	NOT USED
7	-	NOT USED
8	-	NOT USED
9	-	NOT USED

26087-01/26088-01		
PIN	COLOR	FUNCTION
1	BLUE	L1' FAN
2	BLACK	L2' FAN
3	GREEN	GROUND FAN
4	BLACK	R+ SPKR
5	BLACK	R- SPKR
6	BLACK	L+ SPKR
7	BLACK	L- SPKR
8	BLUE	FRONT LIGHT
9	BLUE	REAR LIGHT
10	YELLOW	REAR LIGHT
11	VIOLET	FRONT LIGHT
12	GREEN	GROUND