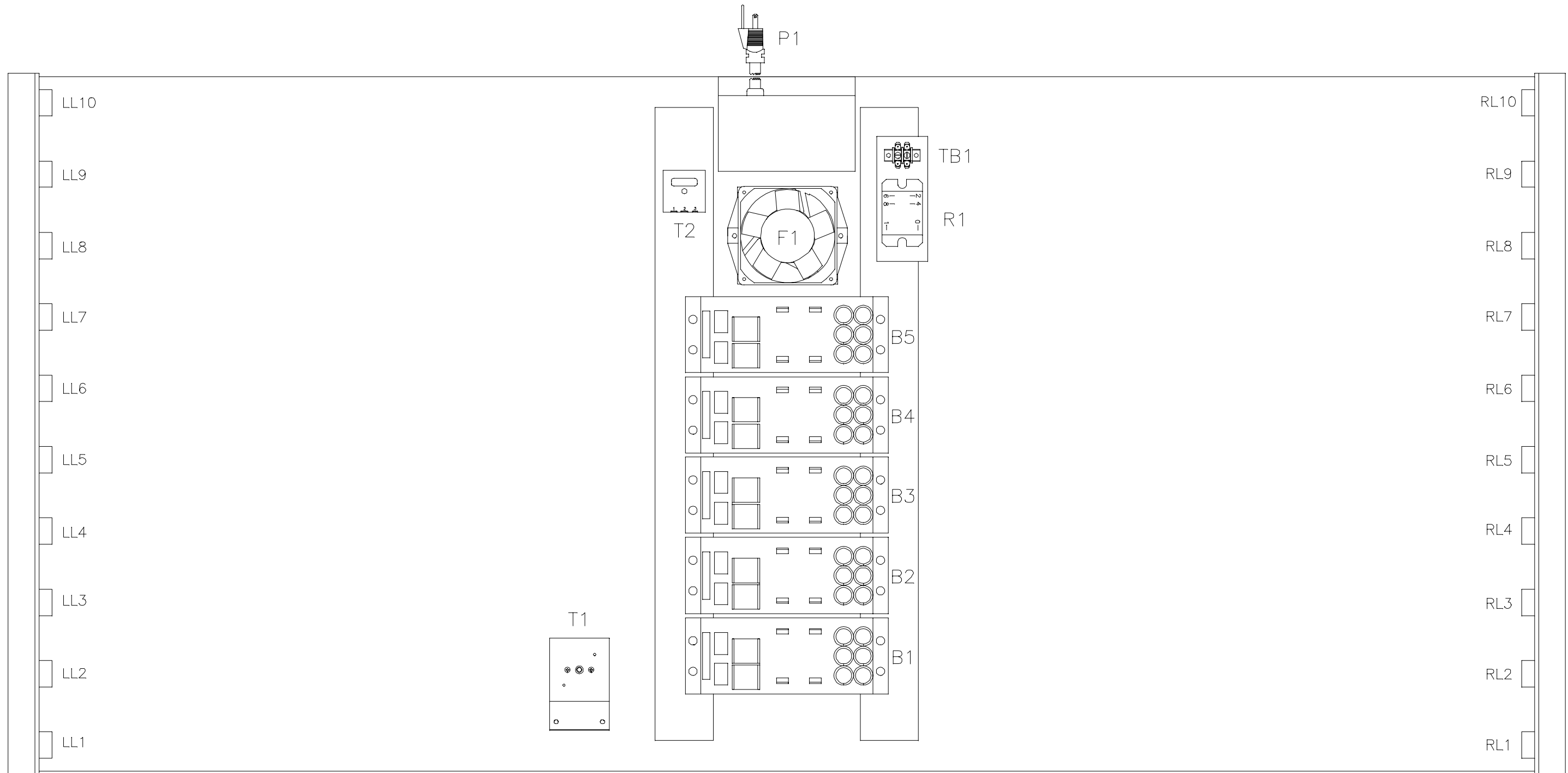


SUNQUEST 2000  
26402-01, REV A



LL = LEFT LAMP HOLDER  
F = FAN  
R = RELAY (CONTACTOR)  
TB = TERMINAL BLOCK

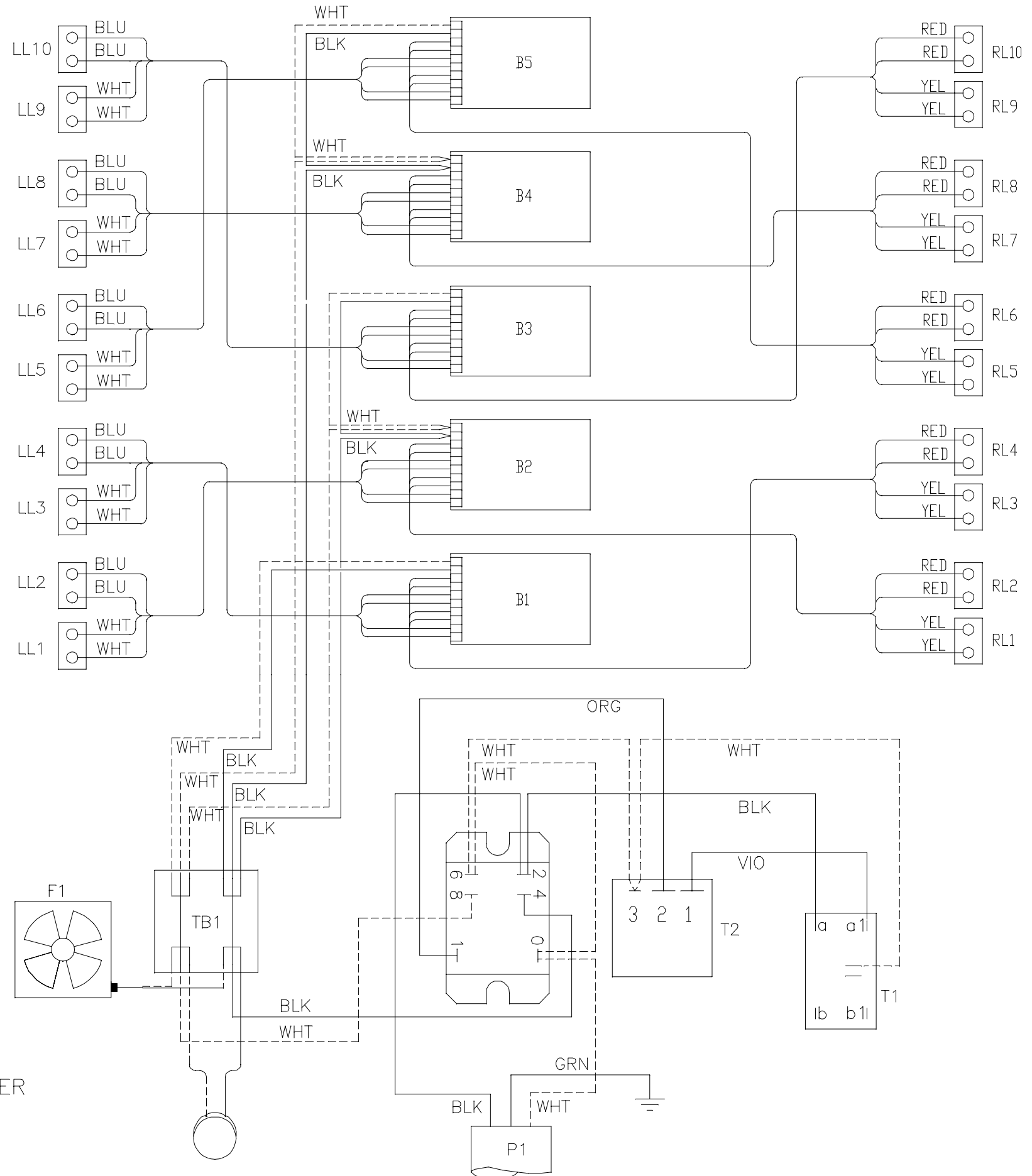
RL = RIGHT LAMP HOLDER  
P = POWER  
T = TIMER  
B = BALLAST

FRONT OF BED

SUNQUEST 2000  
26402-01, REV A

WARNING: ALTERING THE DESIGN, TIMER SYSTEM, OR WIRING FROM THAT SHOWN  
HEREIN, WILL VOID THE WARRANTY, AND MAY RESULT IN A VIOLATION  
OF FEDERAL LAW.

1. WIRE COLORS MAY NOT BE  
EXACTLY AS SHOWN



LL = LEFT LAMP HOLDER  
F = FAN  
R = RELAY (CONTACTOR)  
TB = TERMINAL BLOCK

RL = RIGHT LAMP HOLDER  
P = POWER  
T = TIMER  
B = BALLAST