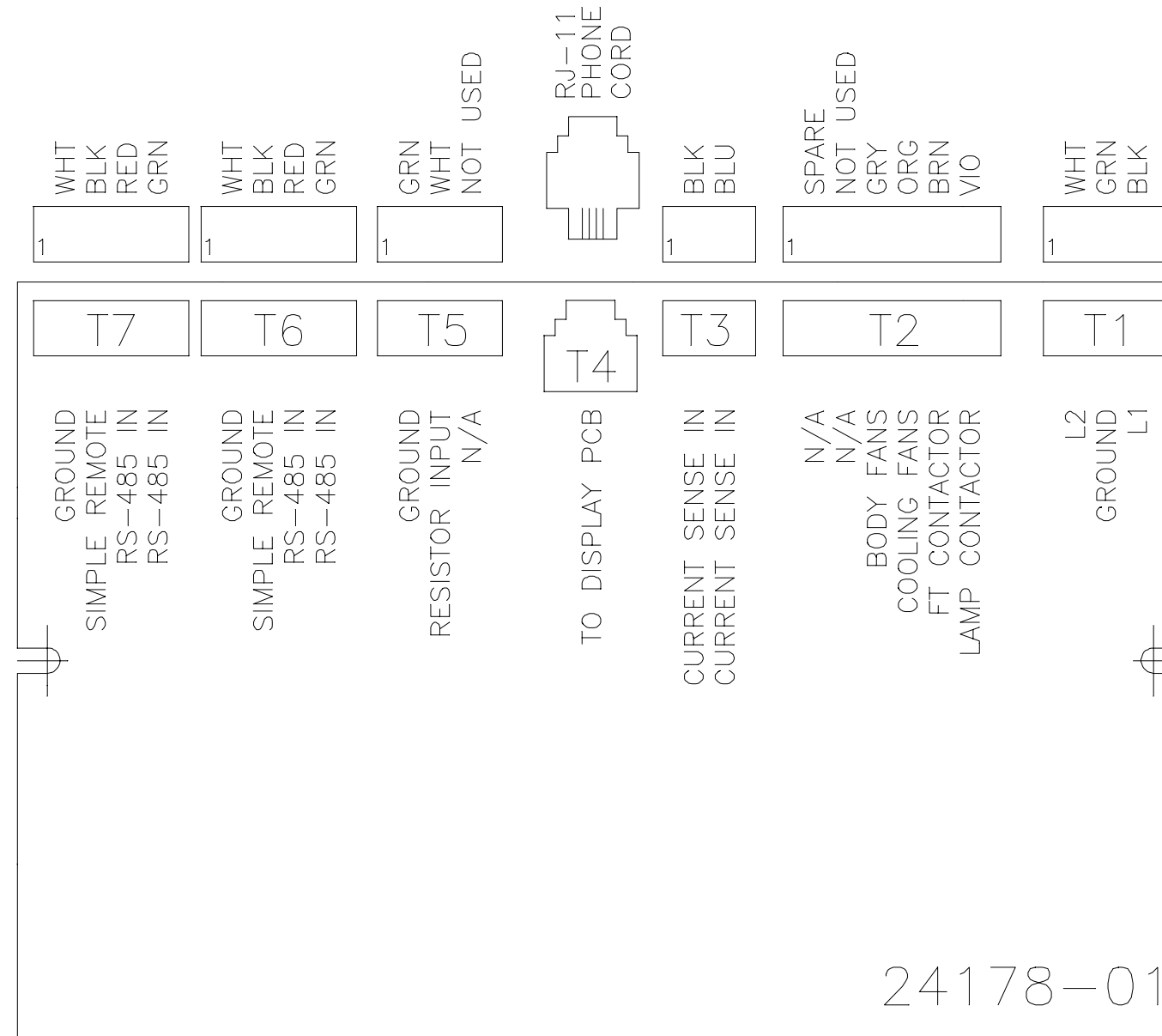
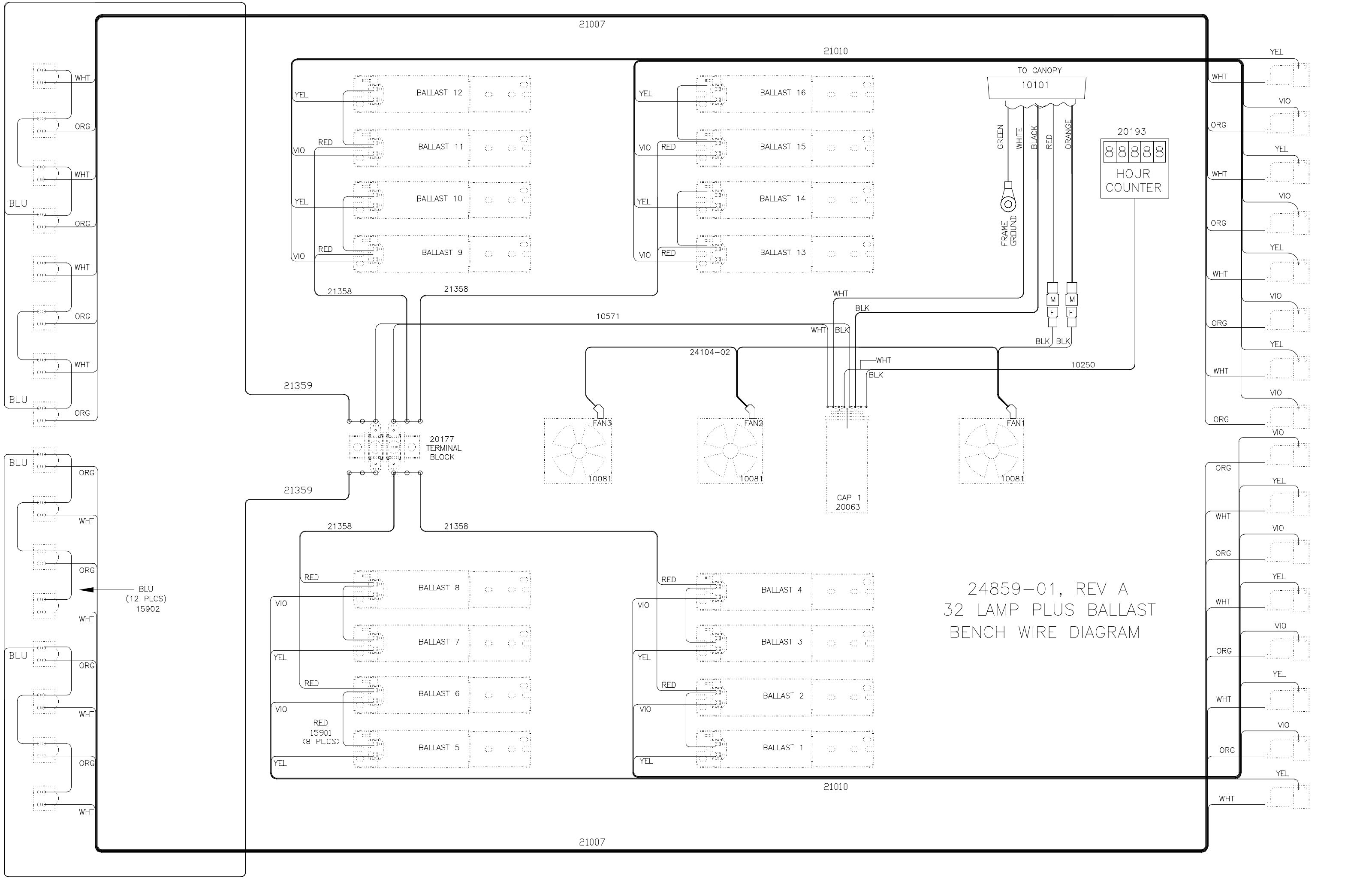


24860-01, REV A TIMER



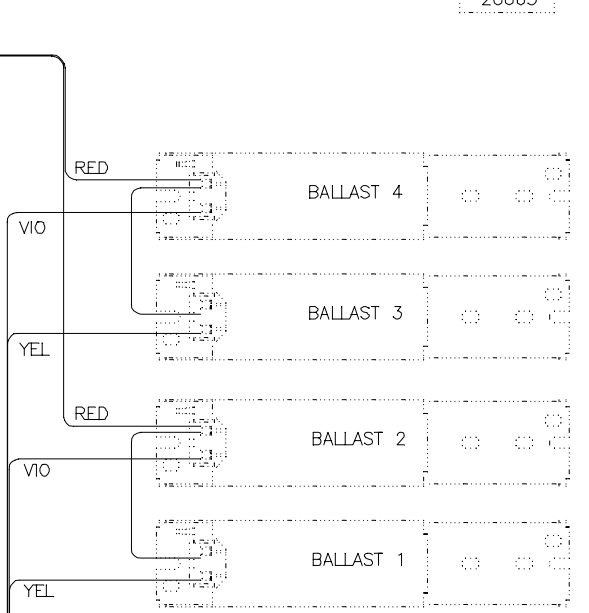
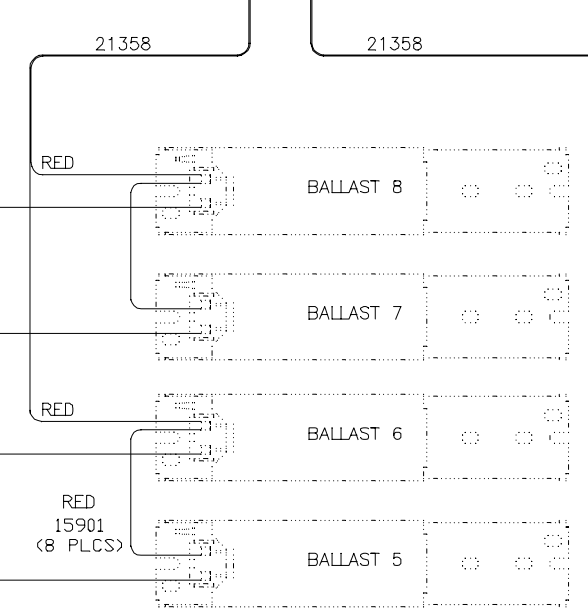
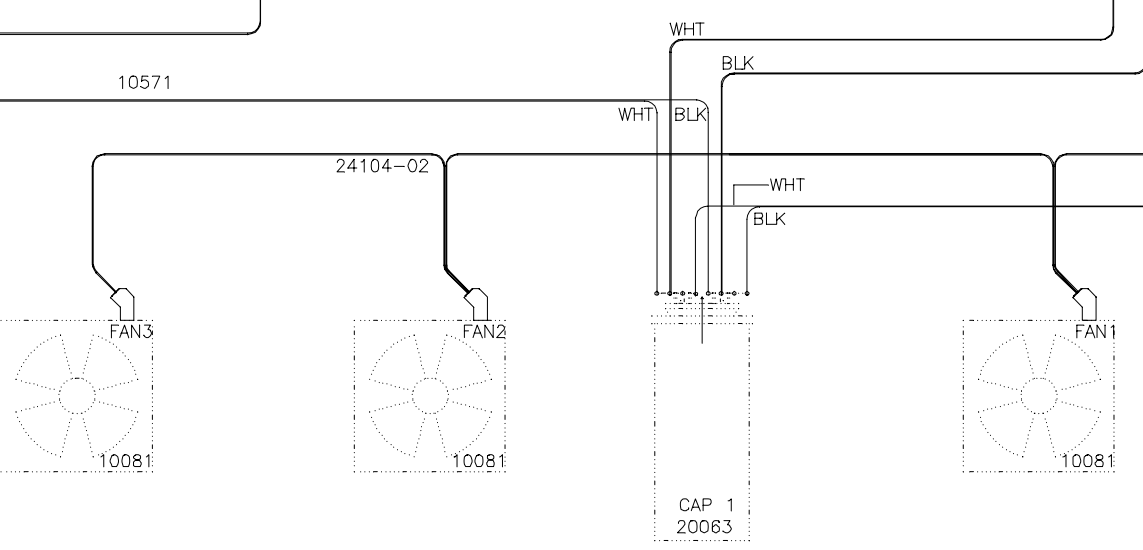
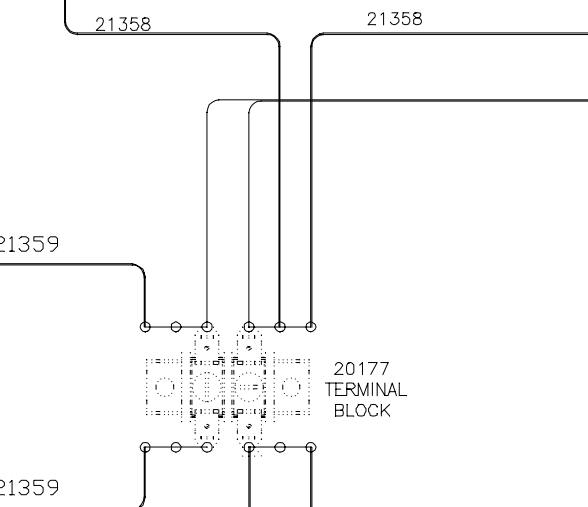
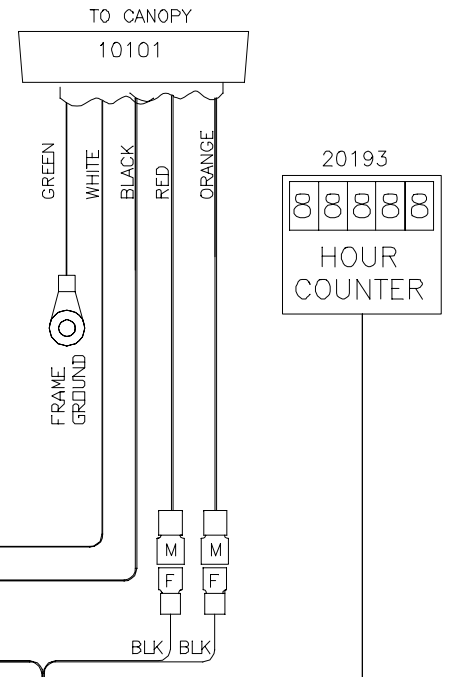
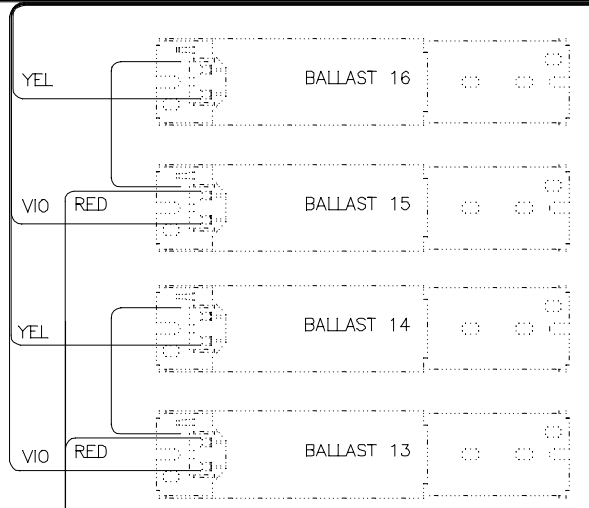
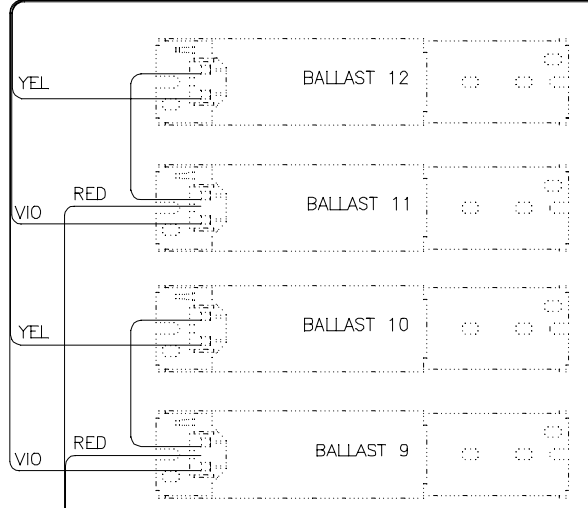
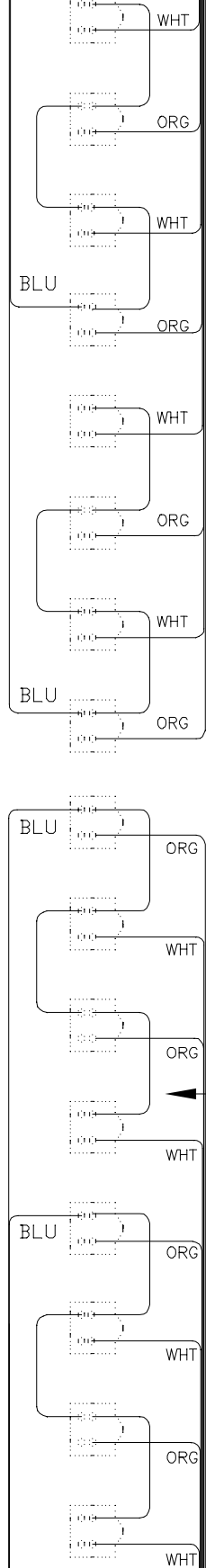
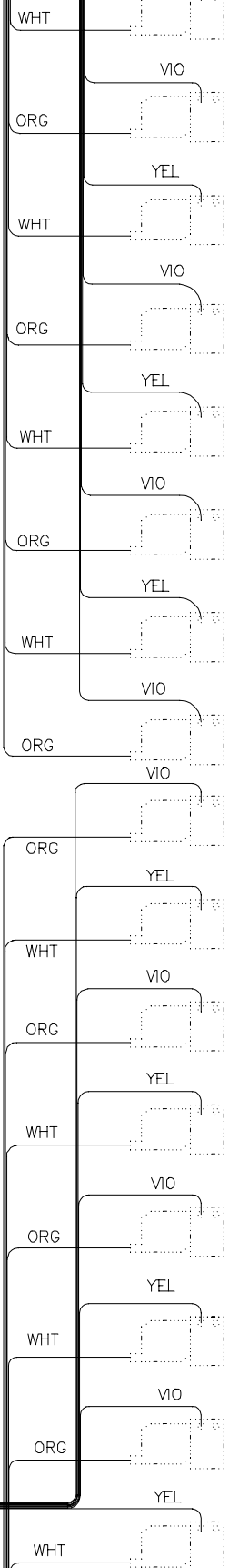
ELECTRONIC TIMER CONNECTOR DIAGRAM



21007

21010

YEL



24859-01, REV A
32 LAMP PLUS BALLAST
BENCH WIRE DIAGRAM

21007

21010