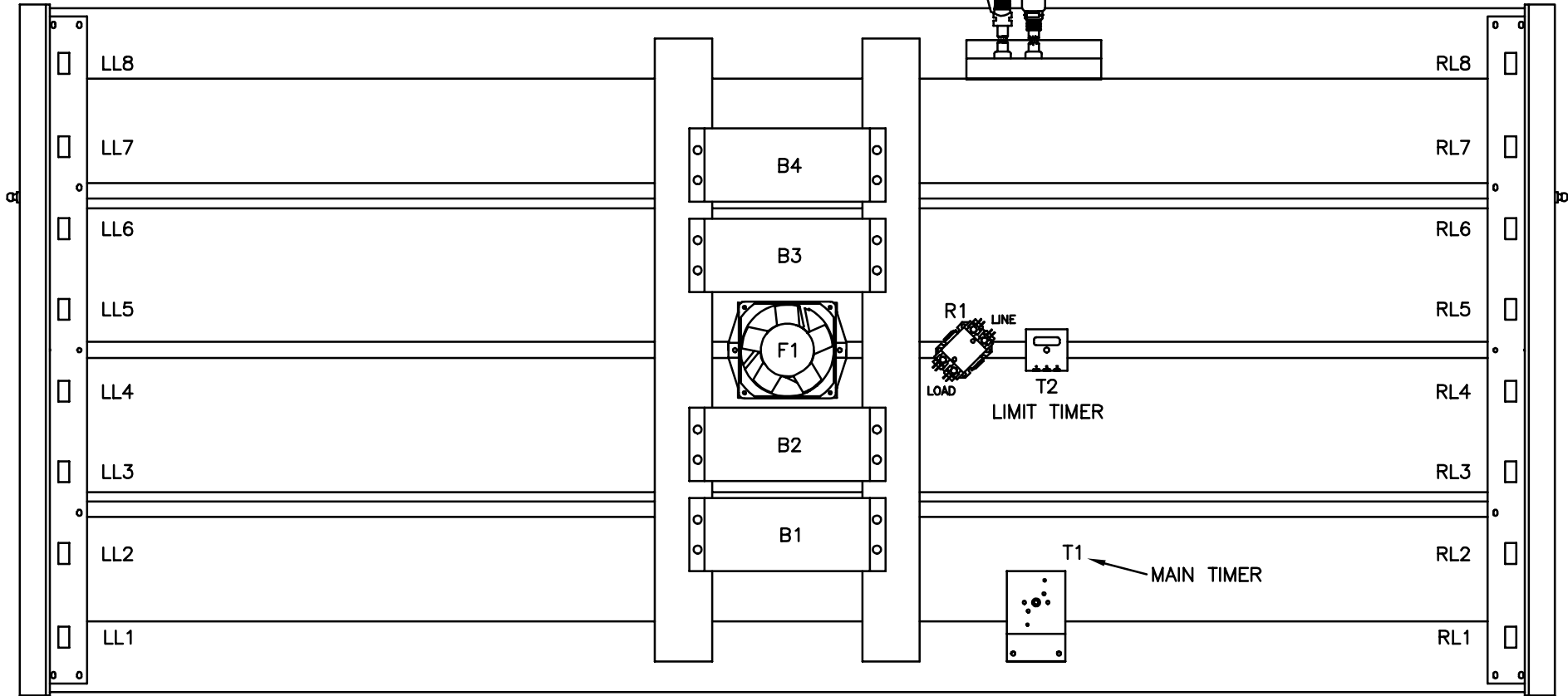


14 & 16 LAMP CANOPY COMPONENT LAYOUT

LINE INPUT → P2 P1 ← BENCH



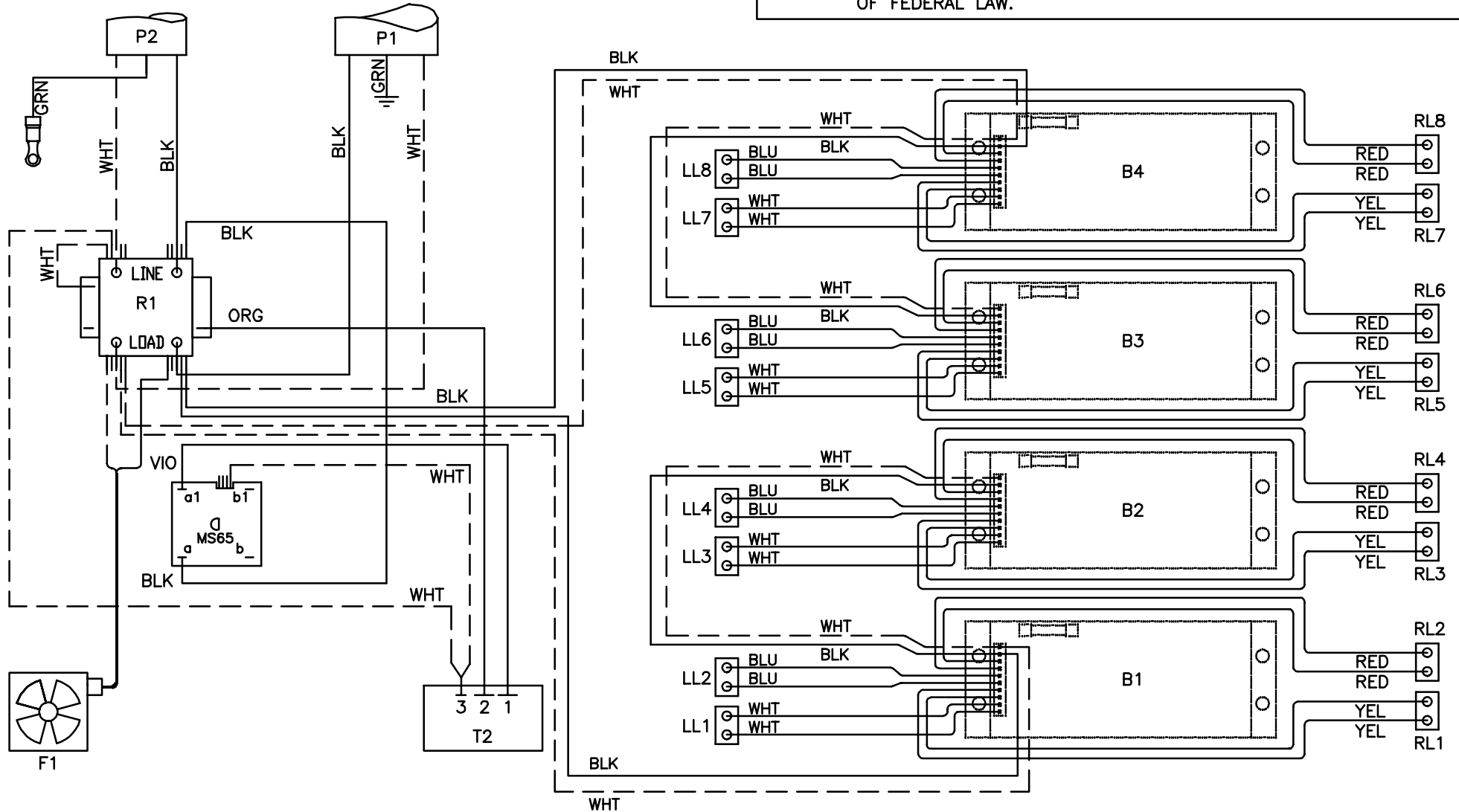
FRONT OF BED

LL = LEFT LAMPHOLDER
 F = FAN
 R = RELAY (CONTACTOR)

RL = RIGHT LAMPHOLDER
 P = POWER
 T = TIMER

14 & 16 LAMP CANOPY WIRE DIAGRAM

WARNING: ALTERING THE DESIGN, TIMER SYSTEM, OR WIRING FROM THAT SHOWN HEREIN, WILL VOID THE WARRANTY, AND MAY RESULT IN A VIOLATION OF FEDERAL LAW.



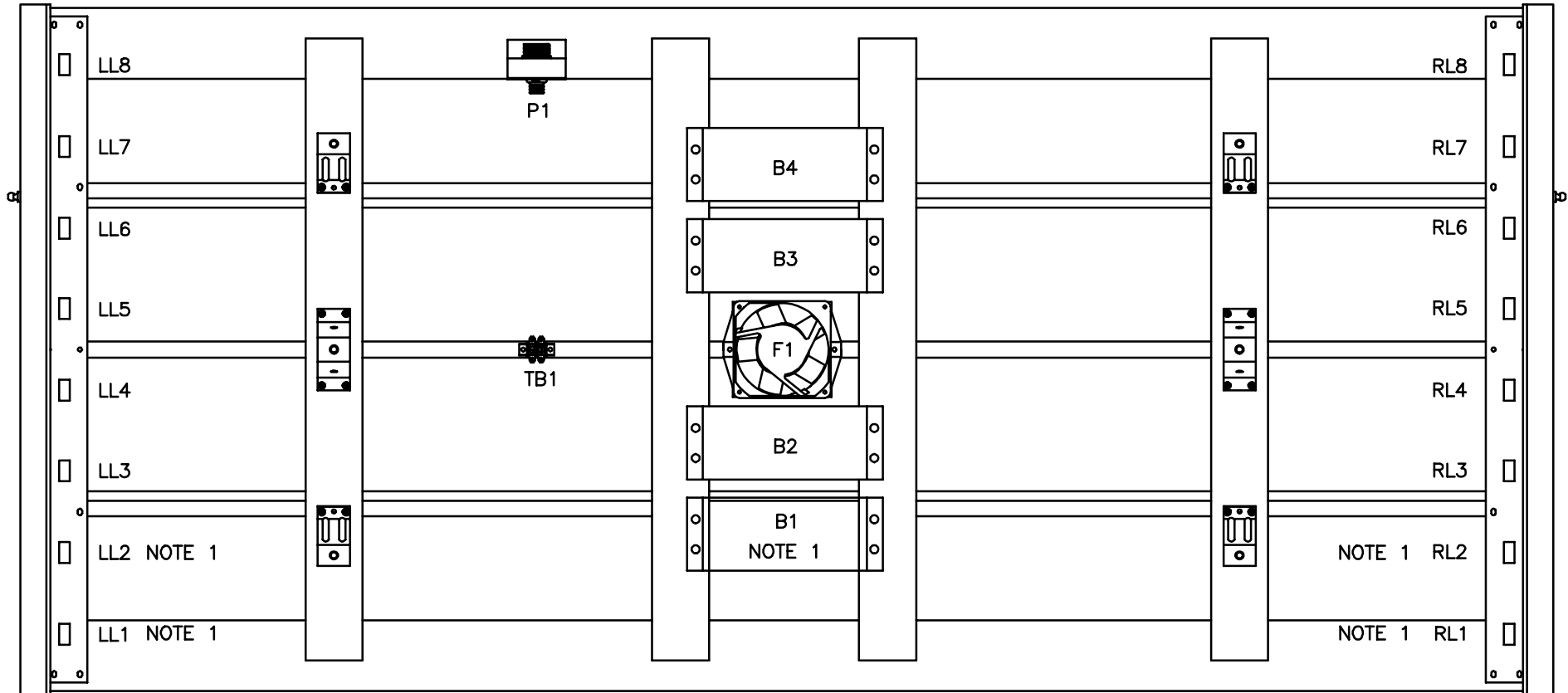
LL = LEFT LAMPHOLDER
 F = FAN
 R = RELAY (CONTACTOR)

RL = RIGHT LAMPHOLDER
 P = POWER
 T = TIMER

NOTE:
 1. WIRE COLORS MAY NOT BE EXACTLY AS SHOWN

24744-01, REV A

14 & 16 LAMP BENCH COMPONENT LAYOUT



FRONT OF BED

LL = LEFT LAMPHOLDER
 B = BALLAST
 F = FAN

RL = RIGHT LAMPHOLDER
 TB = TERMINAL BLOCK
 P = POWER JACK

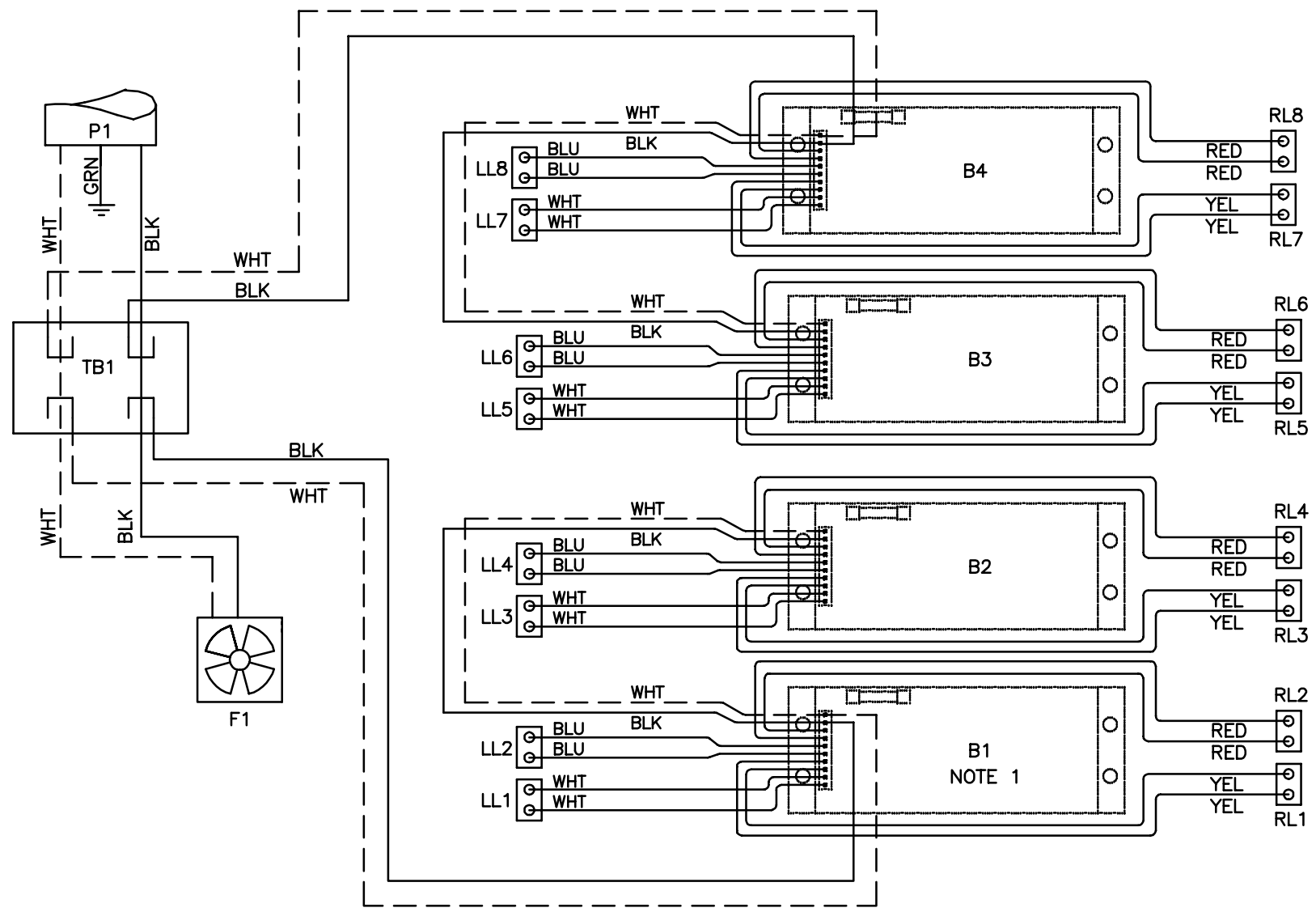
NOTE:

1. ON THE 14 LAMP BED, BALLAST B1 AND LAMPS 1 AND 2 ARE NOT USED.

14 & 16 LAMP BENCH WIRE DIAGRAM

WARNING: ALTERING THE DESIGN, TIMER SYSTEM, OR WIRING FROM THAT SHOWN HEREIN, WILL VOID THE WARRANTY, AND MAY RESULT IN A VIOLATION OF FEDERAL LAW.

24745-01, REV A



LL = LEFT LAMPHOLDER
 B = BALLAST
 F = FAN

RL = RIGHT LAMPHOLDER
 TB = TERMINAL BLOCK
 P = POWER JACK

NOTE:
 1. ON THE 14 LAMP BENCH, BALLAST B1 AND LAMPS 1 AND 2 ARE NOT USED.

NOTE 1