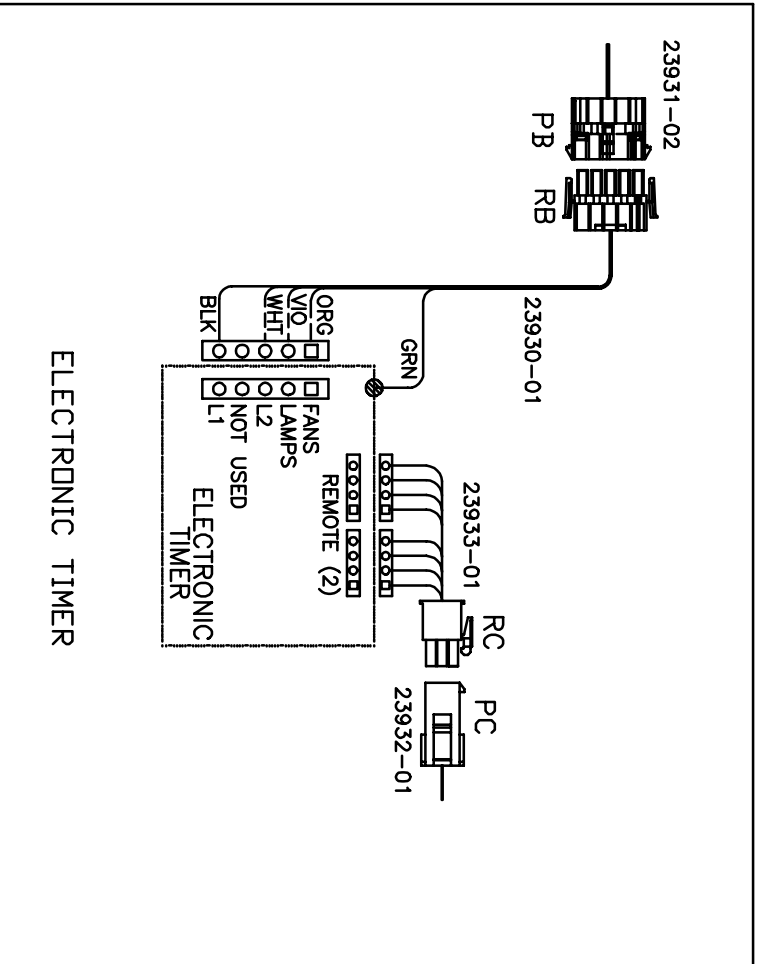
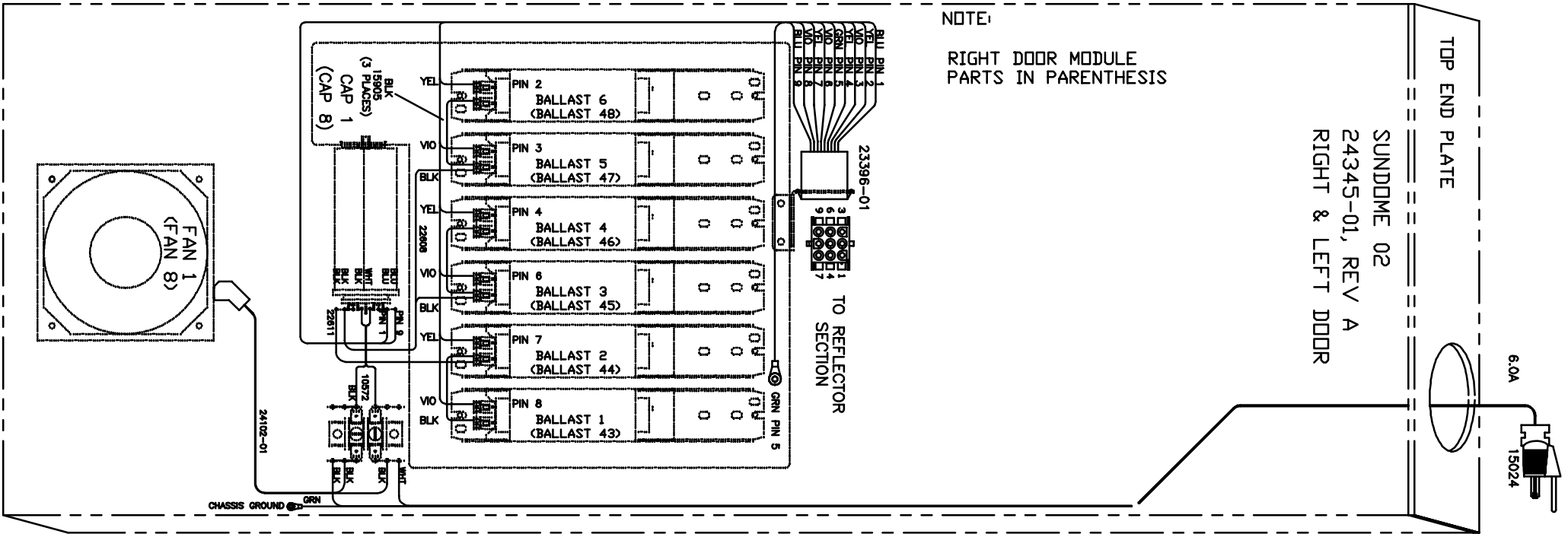


WARNING: ALTERING THE DESIGN, TIMER SYSTEM, OR WIRING FROM THAT SHOWN
HEREIN, WILL VOID THE WARRANTY, AND MAY RESULT IN A VIOLATION
OF FEDERAL LAW.



24344-01, REV B
SUNDOME 02
MISCELLANEDUS DIAGRAMS

SUNDOME
 LEFT DOOR MODULE
 (RIGHT DOOR MODULE)

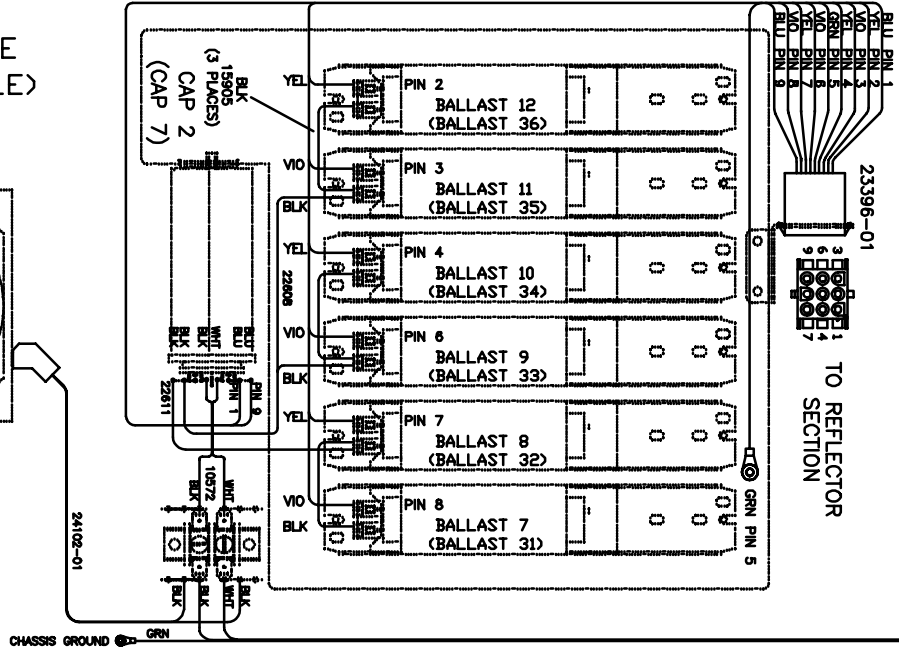
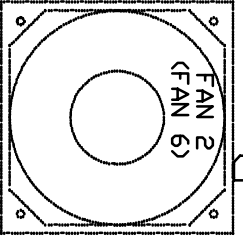


NOTE:
 RIGHT DOOR MODULE
 PARTS IN PARENTHESIS

TOP END PLATE
 SUNDOME 02
 24345-01, REV A
 RIGHT & LEFT DOOR

WARNING: ALTERING THE DESIGN, TIMER SYSTEM, OR WIRING FROM THAT SHOWN
 HEREIN, WILL VOID THE WARRANTY, AND MAY RESULT IN A VIOLATION
 OF FEDERAL LAW.

SUNDOME
LEFT MODULE
(RIGHT MODULE)



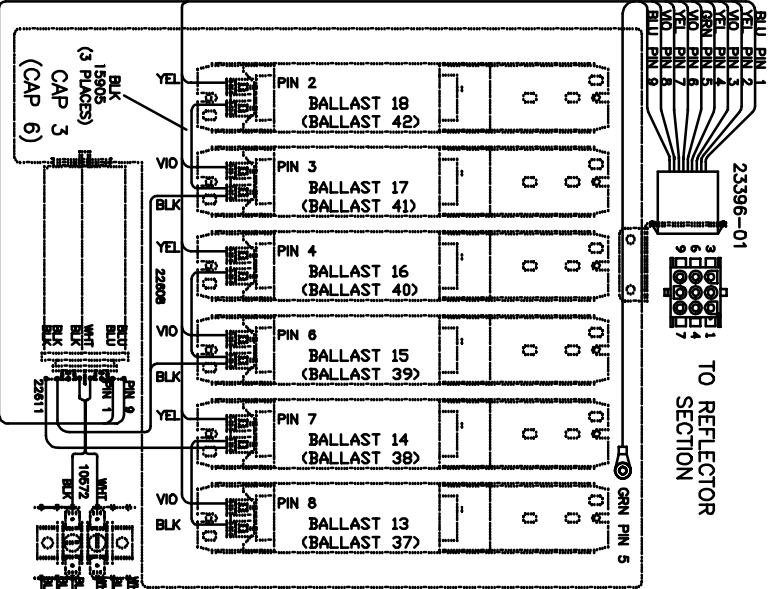
NOTE:
RIGHT MODULE PARTS IN PARENTHESIS

TOP END PLATE

15023 6.0A

SUNDOME 02
24345-01, REV A
RIGHT & LEFT MODULE

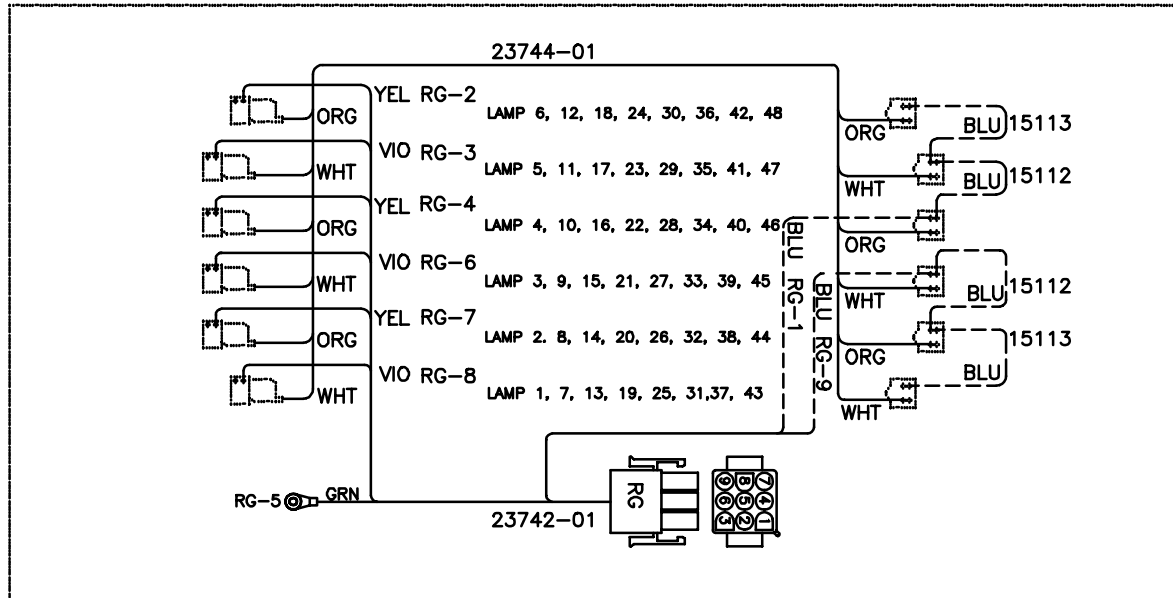
12.0A
15022



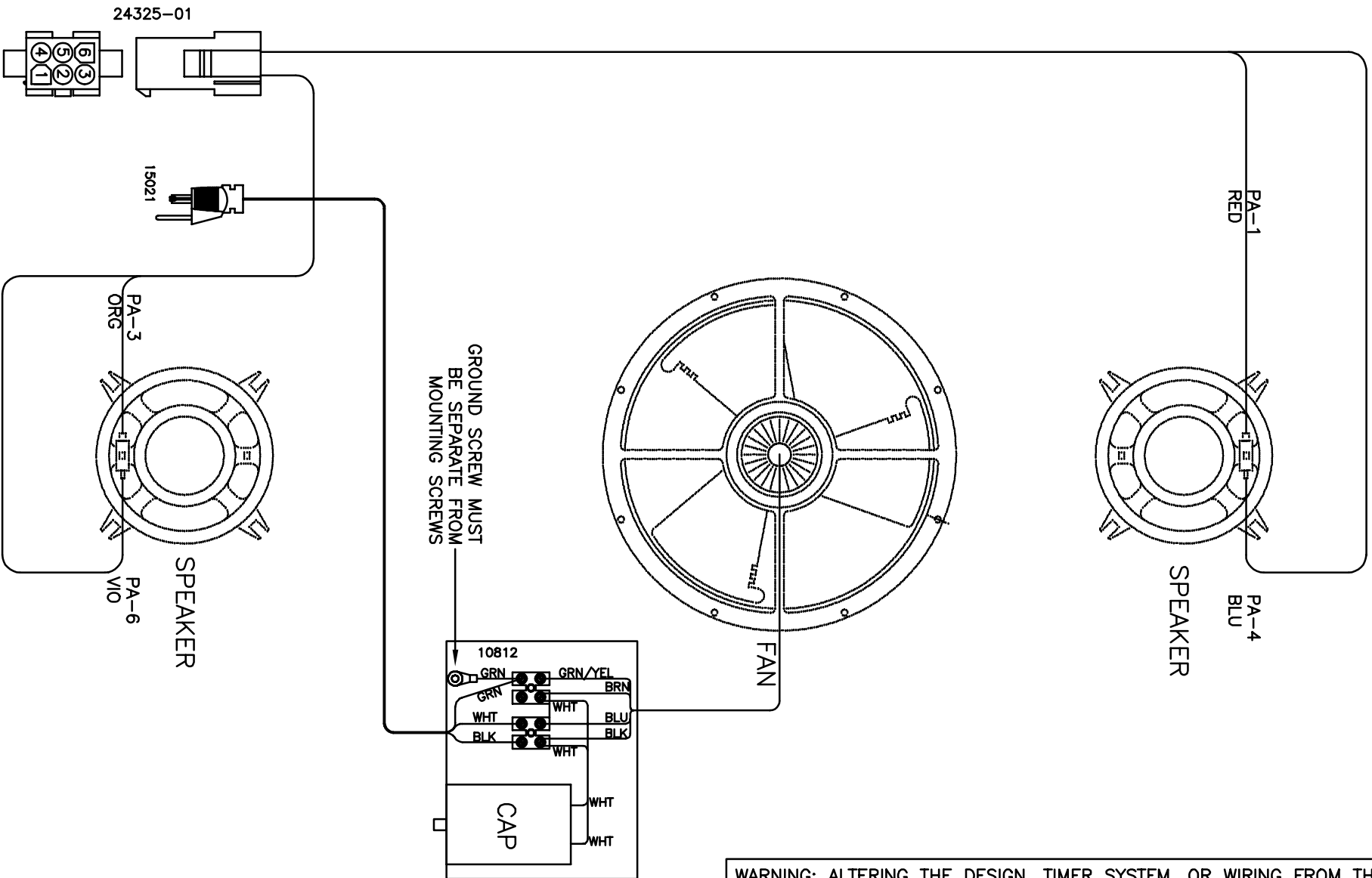
CHASSIS GROUND

24346-01, REV A
 SUNDOME 02
 LAMP/REFLECTOR SECTIONS

REFLECTOR SECTION (8)



- NOTES:
1. LAMP 1 IS THE LEFT MOST LAMP LOOKING AT THE FRONT OF THE SUNDOME UNIT. LAMP 48 IS THE RIGHT MOST LAMP.



WARNING: ALTERING THE DESIGN, TIMER SYSTEM, OR WIRING FROM THAT SHOWN HEREIN, WILL VOID THE WARRANTY, AND MAY RESULT IN A VIOLATION OF FEDERAL LAW.