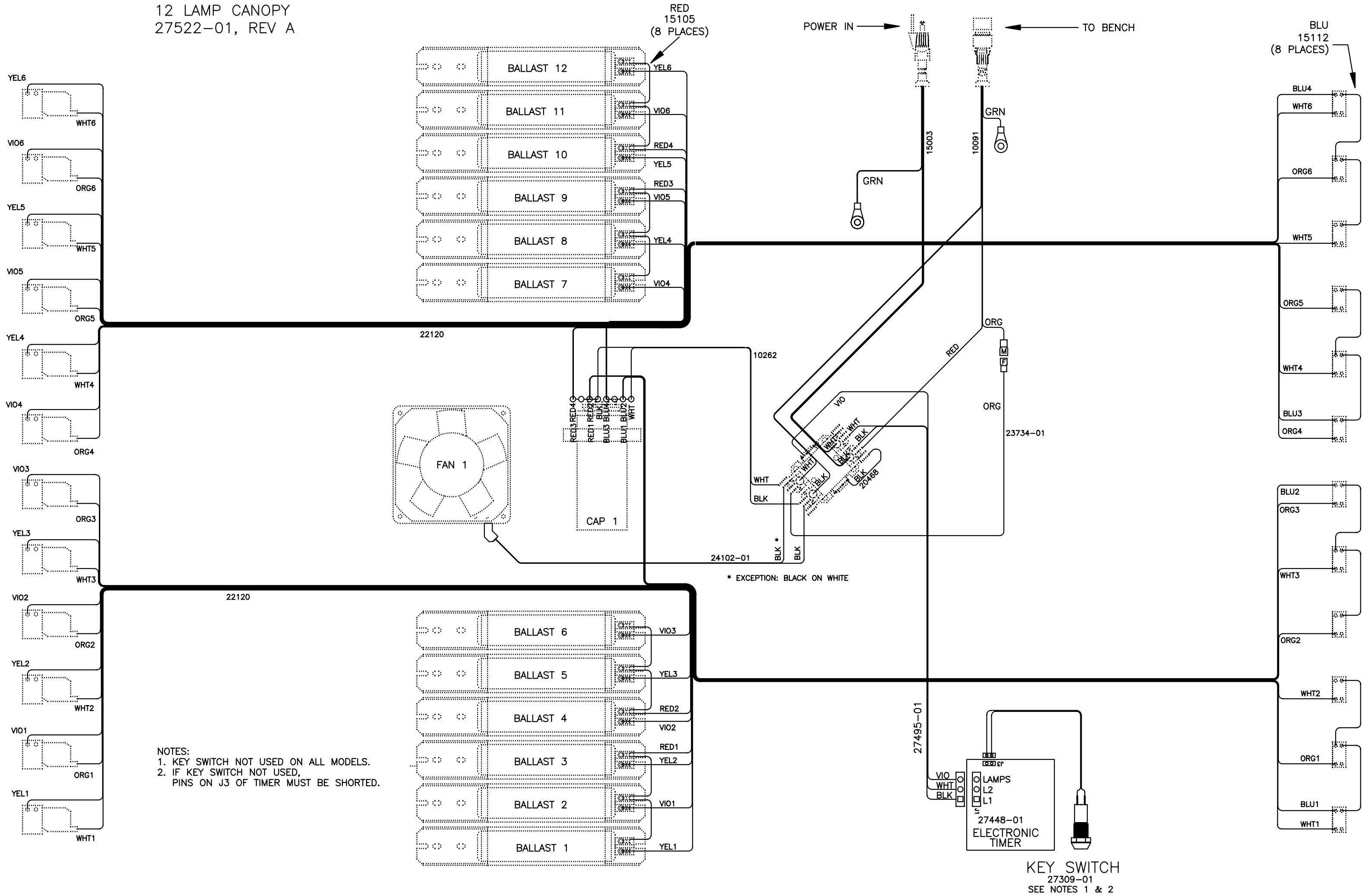
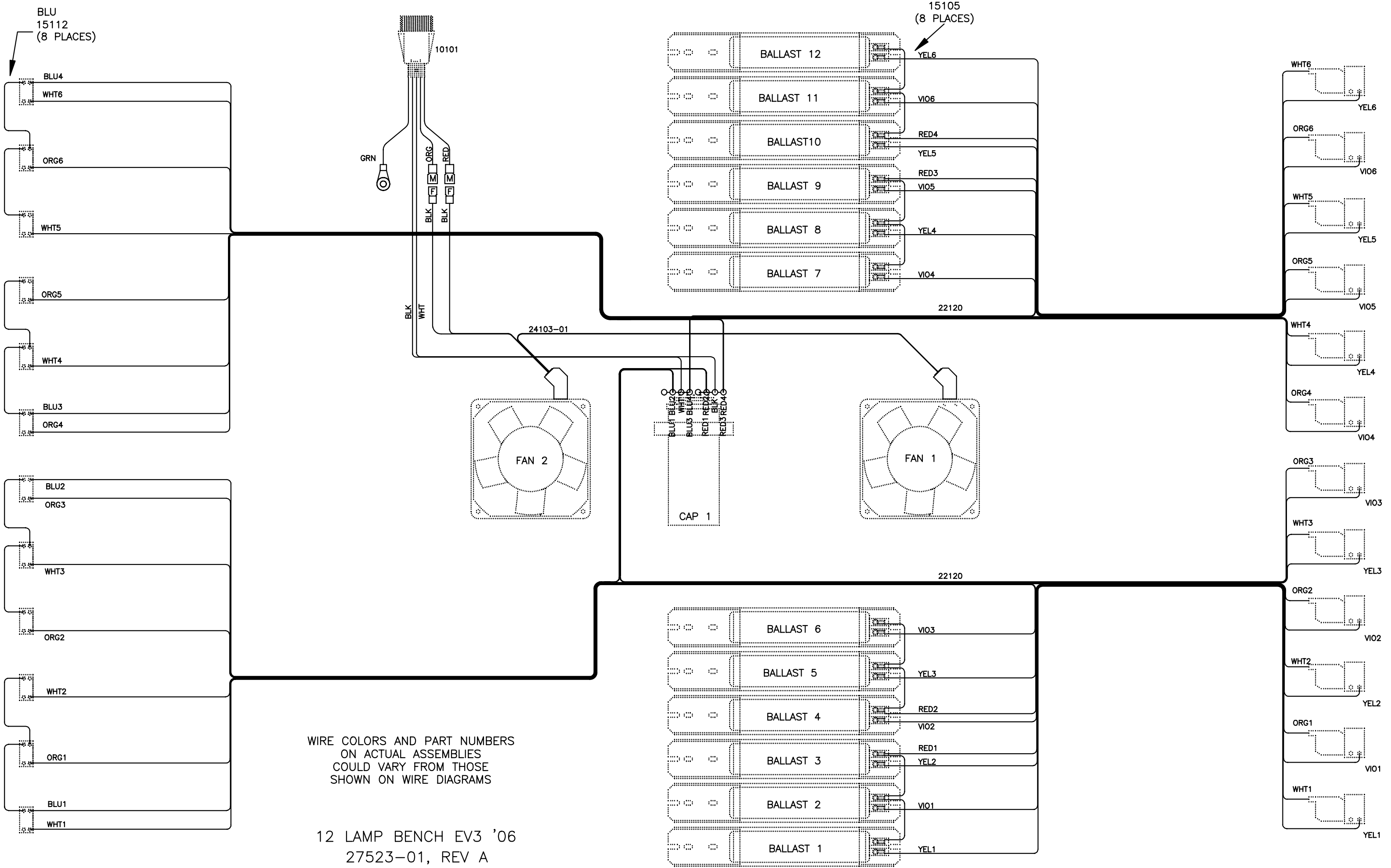


12 LAMP CANOPY  
27522-01, REV A



- NOTES:  
 1. KEY SWITCH NOT USED ON ALL MODELS.  
 2. IF KEY SWITCH NOT USED,  
 PINS ON J3 OF TIMER MUST BE SHORTED.

KEY SWITCH  
27309-01  
SEE NOTES 1 & 2



BLU  
15112  
(8 PLACES)

RED  
15105  
(8 PLACES)

10101

GRN

ORG

RED

BLK

BLK

BLK

WHT

24103-01

FAN 2

BLU1 BLU2  
WHT1 WHT2  
BLU3 BLU4  
RED1 RED2  
BLK1 BLK2  
RED3 RED4

CAP 1

FAN 1

22120

22120

BALLAST 12

BALLAST 11

BALLAST10

BALLAST 9

BALLAST 8

BALLAST 7

YEL6

VIO6

RED4

YEL5

RED3

VIO5

YEL4

VIO4

BALLAST 6

BALLAST 5

BALLAST 4

BALLAST 3

BALLAST 2

BALLAST 1

VIO3

YEL3

RED2

VIO2

RED1

YEL2

VIO1

YEL1

WHT6

YEL6

ORG6

VIO6

WHT5

YEL5

ORG5

VIO5

WHT4

YEL4

ORG4

VIO4

ORG3

VIO3

WHT3

YEL3

ORG2

VIO2

WHT2

YEL2

ORG1

VIO1

WHT1

YEL1

WIRE COLORS AND PART NUMBERS  
ON ACTUAL ASSEMBLIES  
COULD VARY FROM THOSE  
SHOWN ON WIRE DIAGRAMS

12 LAMP BENCH EV3 '06  
27523-01, REV A

BOTTOM FRONT OF BED