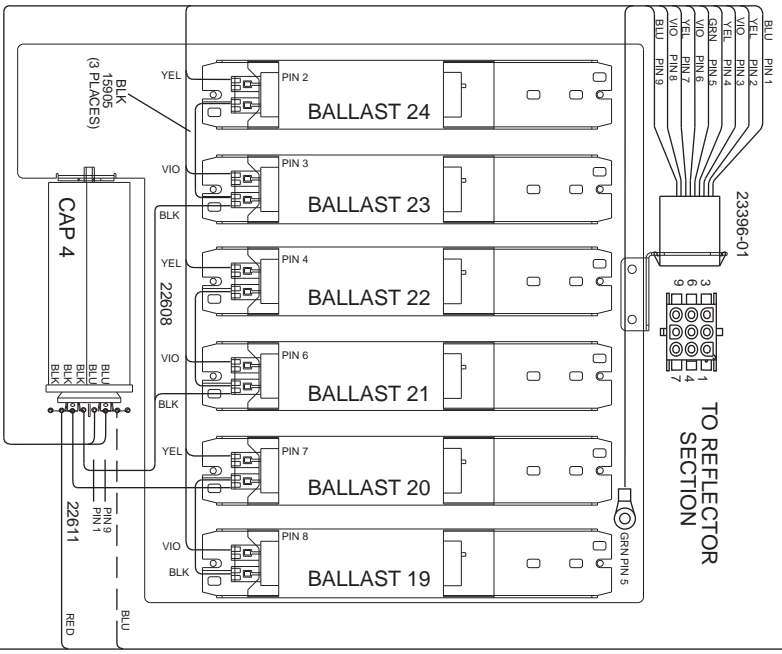
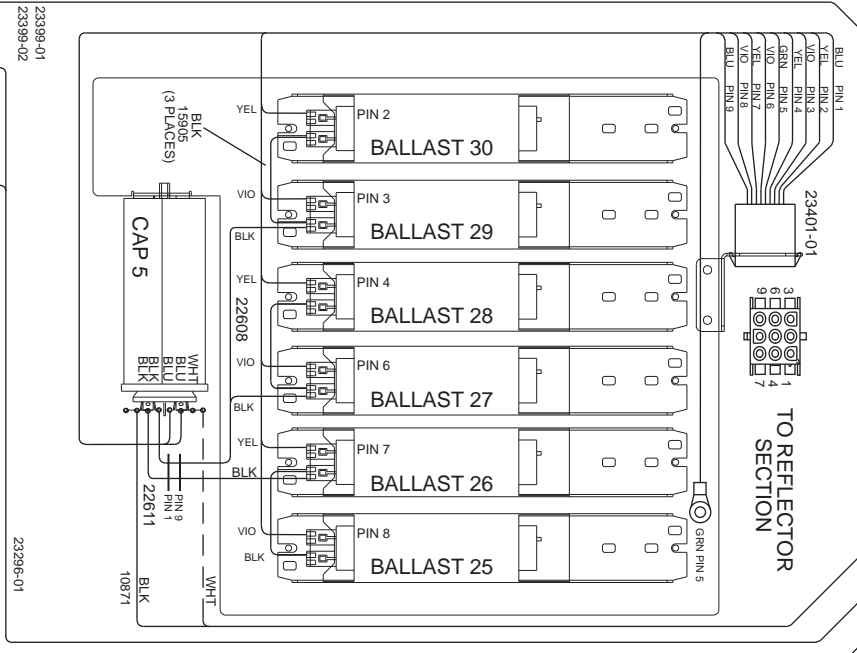


CONTROL MODULE
BOTTOM LEFT SIDE



E

CONTROL MODULE
BOTTOM RIGHT SIDE



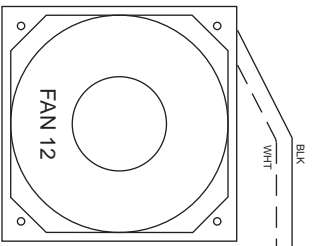
A

B

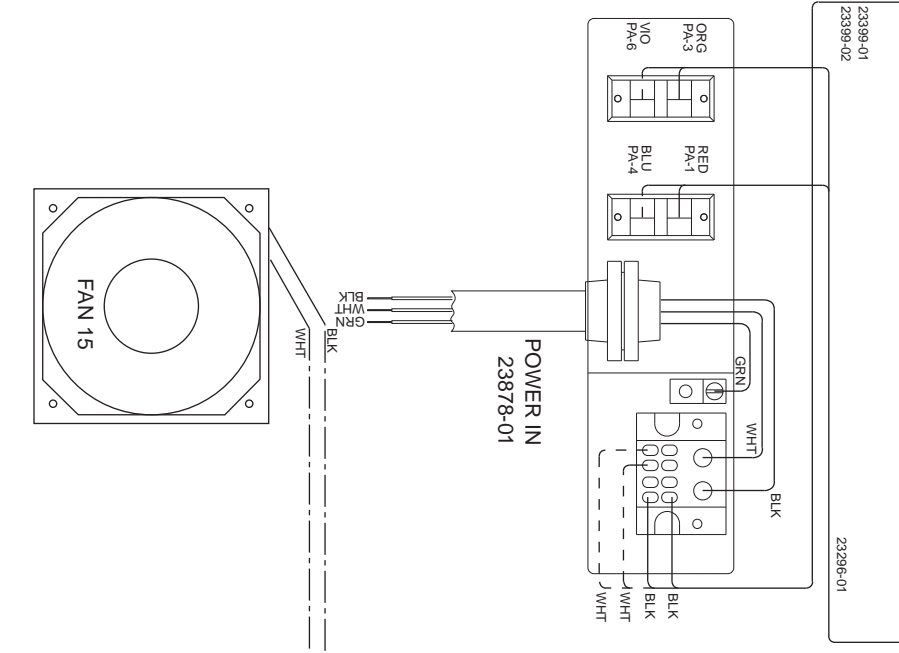
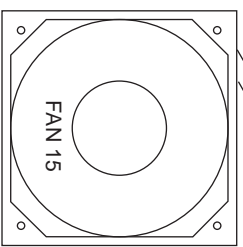
C

D

P = PLUG
R = RECEPTACLE



23379-01

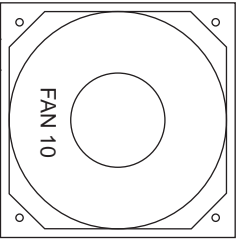


WARNING : ALTERING THE DESIGN, TIMER SYSTEM, OR WIRING FROM THAT SHOWN HEREIN, WILL VOID THE WARRANTY, AND MAY RESULT IN A VIOLATION OF FEDERAL LAW.

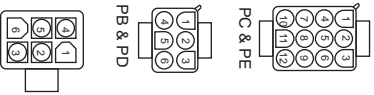
**CONTROL MODULE
TOP LEFT SIDE**

23379-01

23881-01 REV B

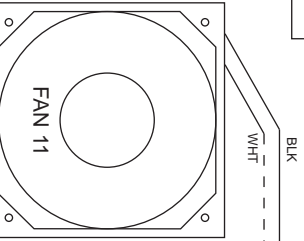


WHT
BLK



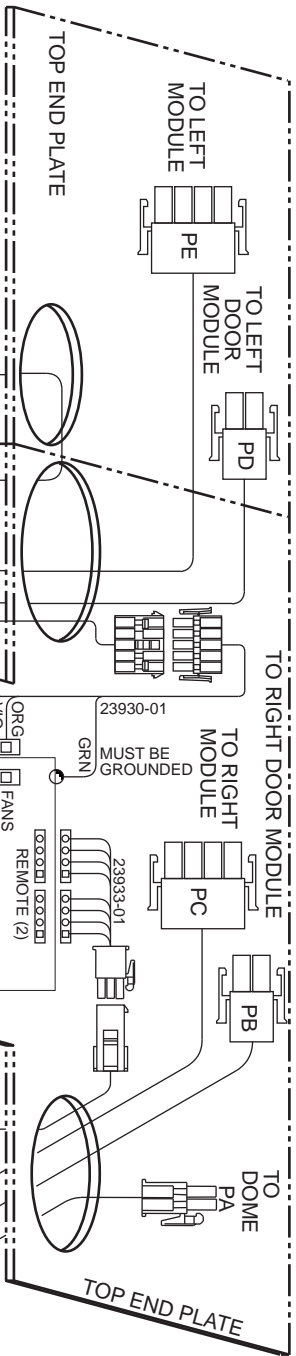
PLUG INSERTION
END VIEW

P = PLUG
R = RECEPTACLE



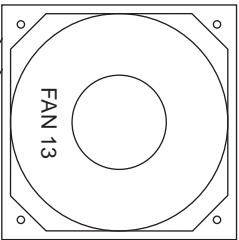
WHT
BLK

E

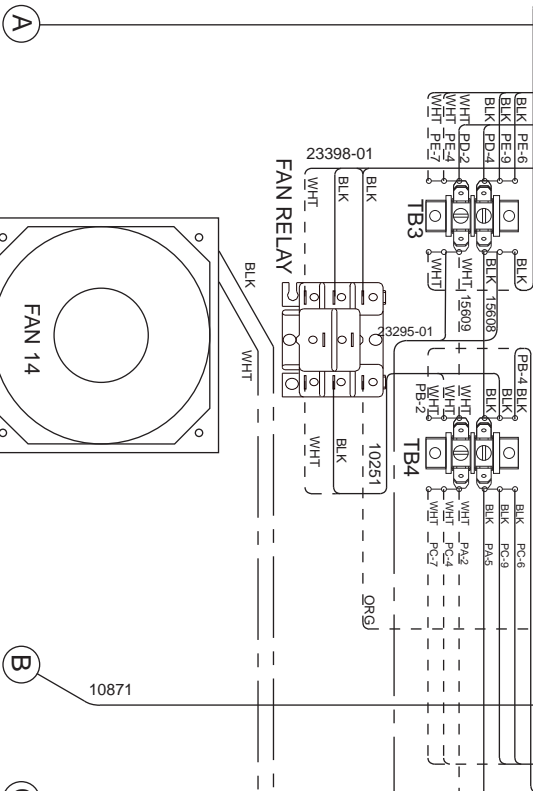
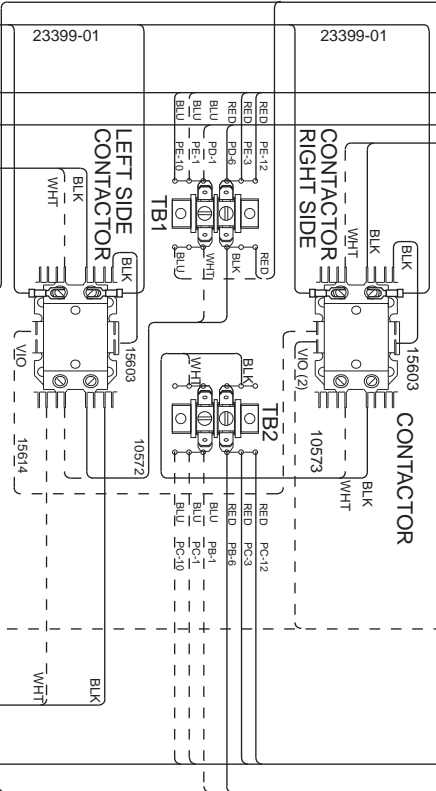


**CONTROL MODULE
TOP RIGHT SIDE**

23295-01



WHT
BLK



B

C

D

10871

23296-01

23295-01

23379-01

23378-01

23294-01

23931-01

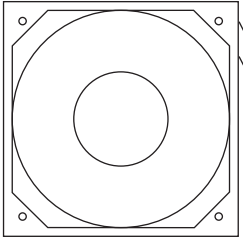
23932-01

23378-02

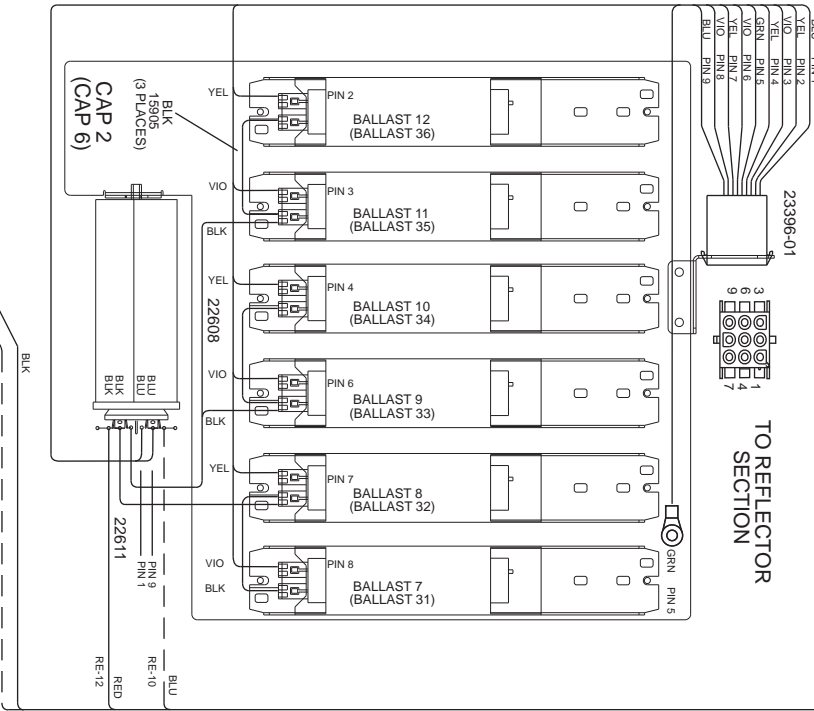
23294-02

23296-01

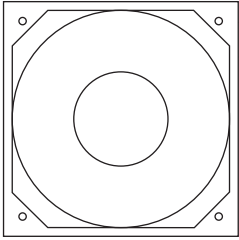
**SUNDOME
LEFT MODULE
(RIGHT MODULE)**



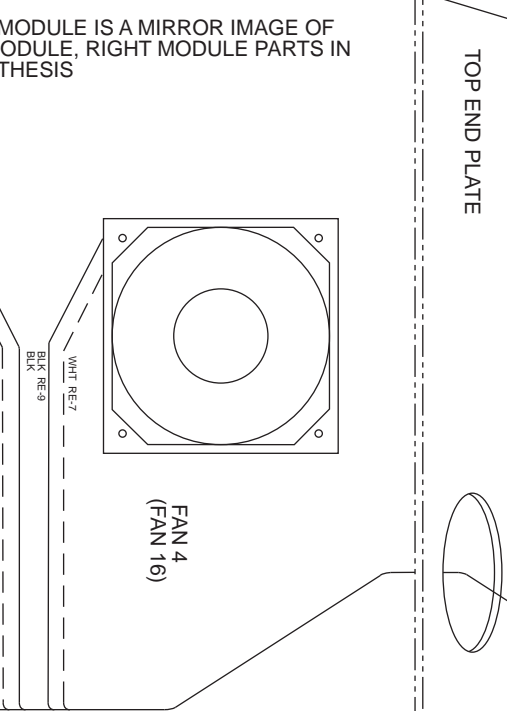
FAN 6
(FAN 18)



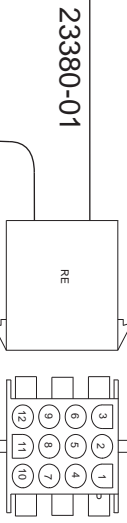
NOTE:
1. RIGHT MODULE IS A MIRROR IMAGE OF
LEFT MODULE, RIGHT MODULE PARTS IN
PARENTHESIS



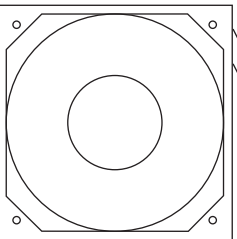
FAN 5
(FAN 17)



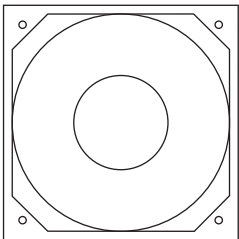
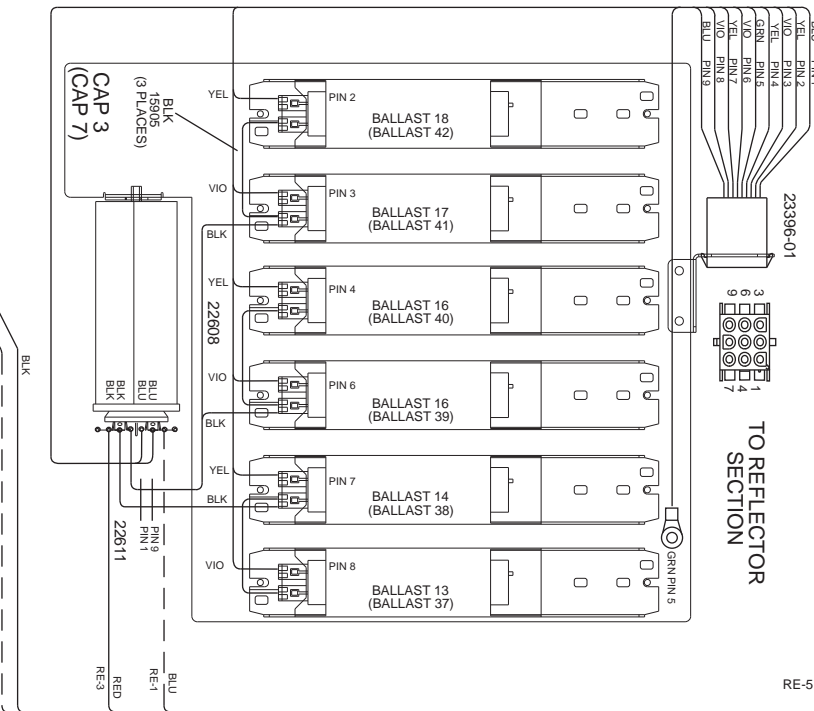
TOP END PLATE



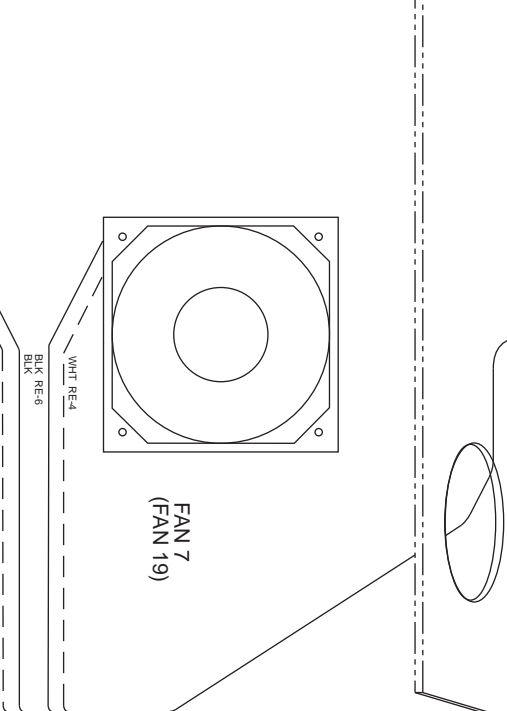
23380-01



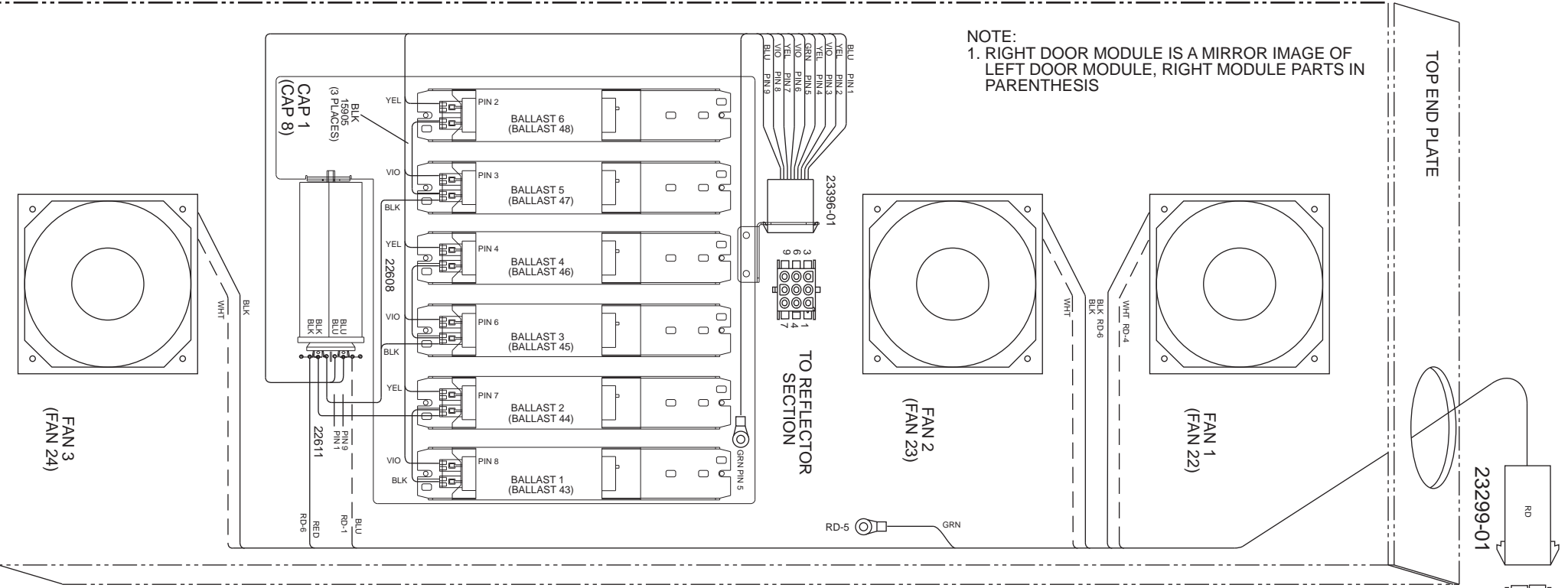
FAN 9
(FAN 21)



FAN 8
(FAN 20)



SUNDOME
LEFT DOOR MODULE
(RIGHT DOOR MODULE)

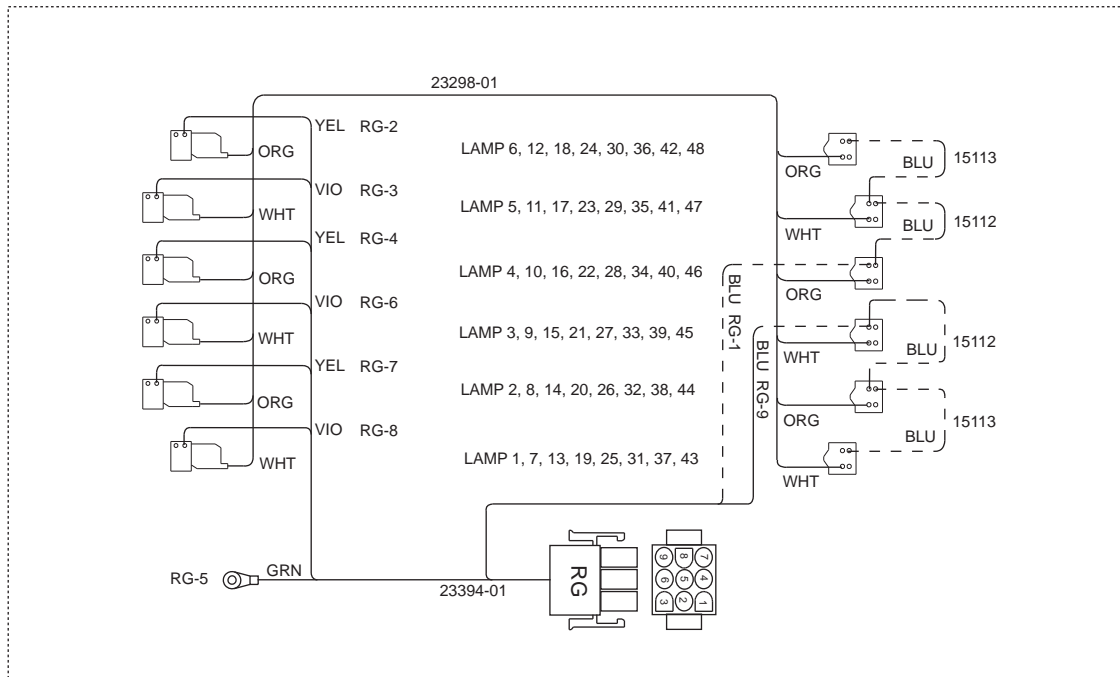


NOTE:
1. RIGHT DOOR MODULE IS A MIRROR IMAGE OF
LEFT DOOR MODULE, RIGHT MODULE PARTS IN
PARENTHESIS

**WARNING : ALTERING THE DESIGN, TIMER SYSTEM, OR WIRING FROM THAT SHOWN
HEREIN, WILL VOID THE WARRANTY, AND MAY RESULT IN A VIOLATION
OF FEDERAL LAW.**

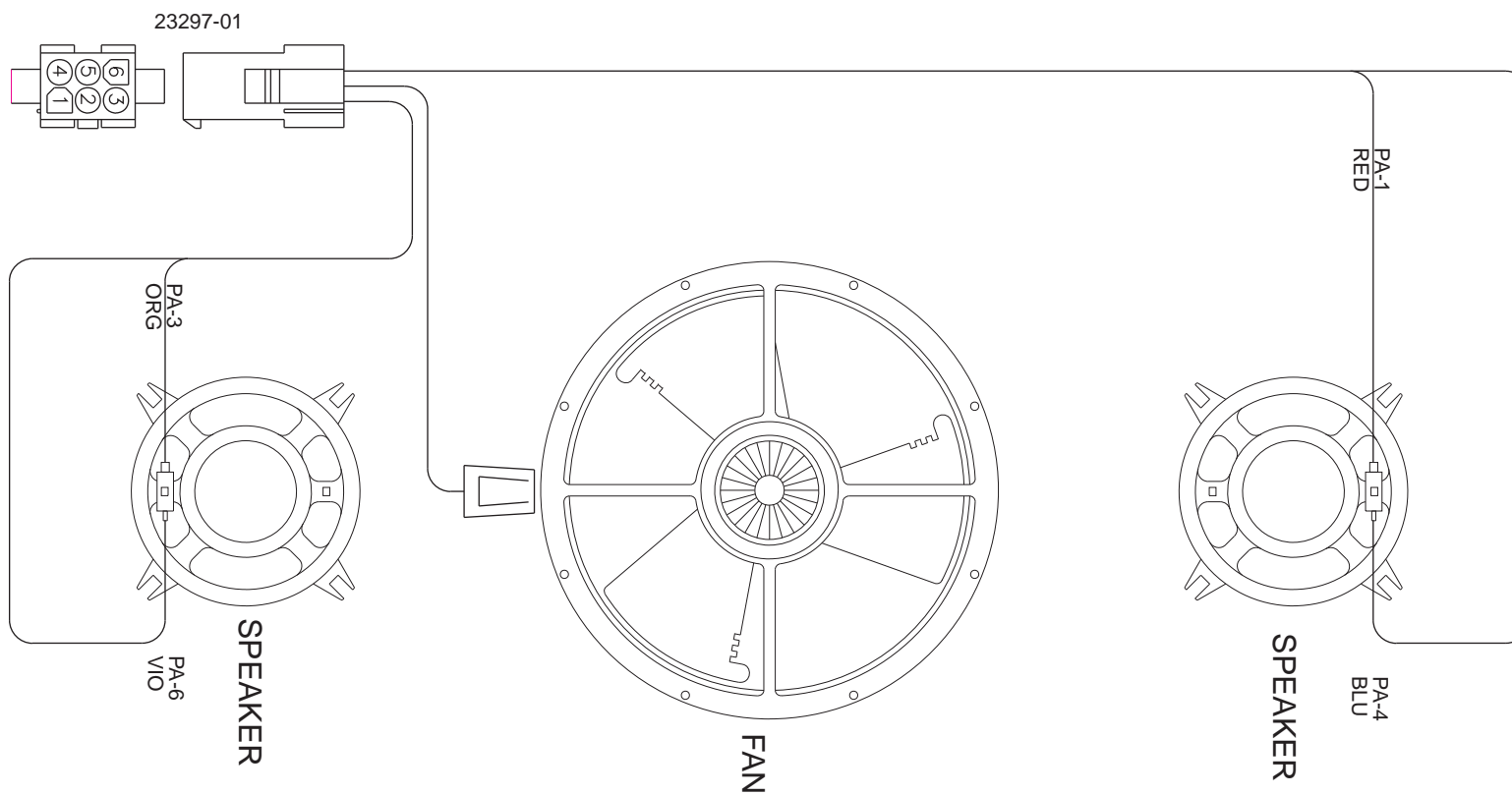
23894-01, REV A
 SUNDOME
 LAMP/REFLECTOR SECTIONS

REFLECTOR SECTION (8)



NOTES:

1. LAMP 1 IS THE LEFT MOST LAMP LOOKING AT THE FRONT OF THE SUNDOME UNIT. LAMP 48 IS THE RIGHT MOST LAMP



WARNING : ALTERING THE DESIGN, TIMER SYSTEM, OR WIRING FROM THAT SHOWN HEREIN, WILL VOID THE WARRANTY, AND MAY RESULT IN A VIOLATION OF FEDERAL LAW.