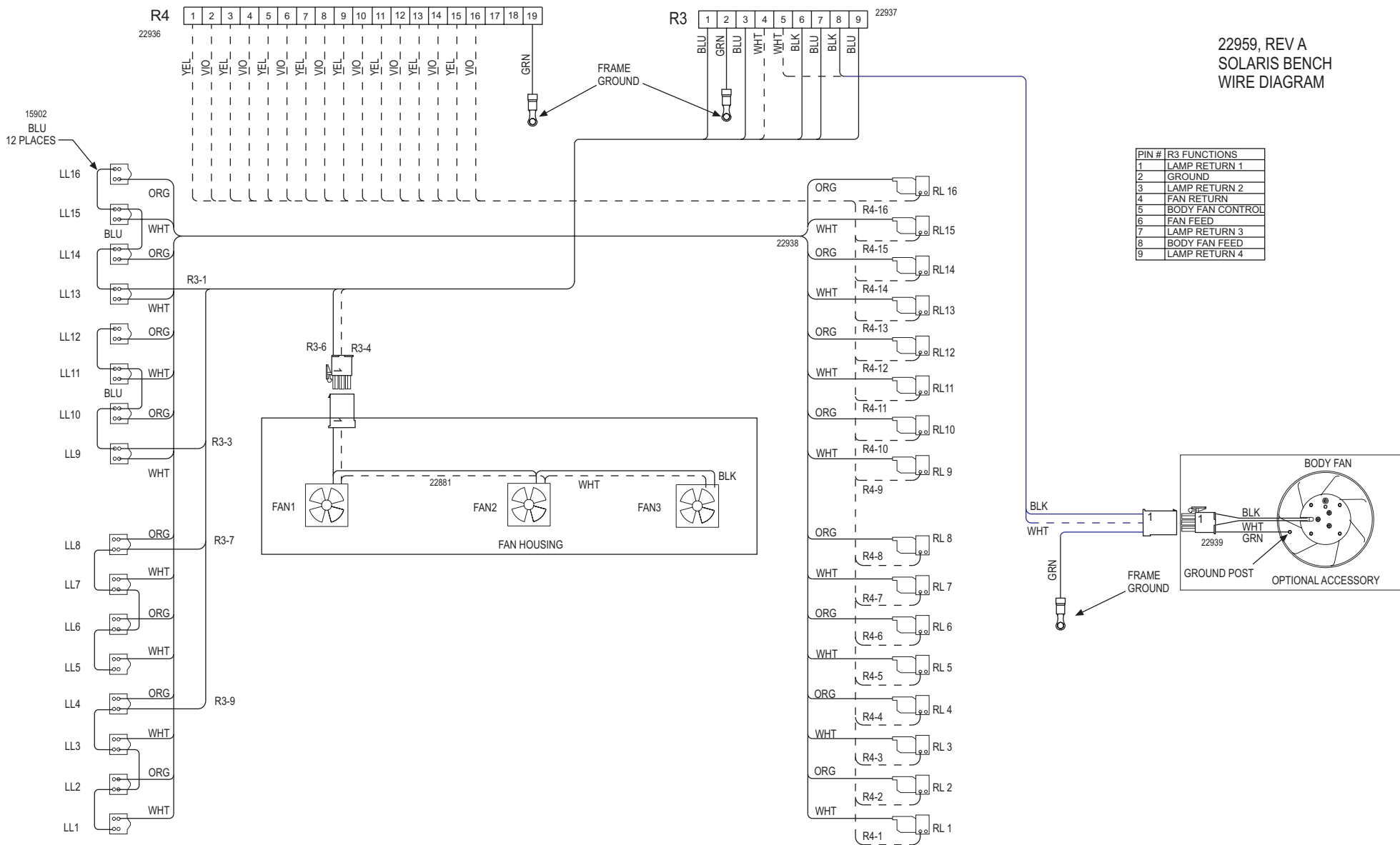


22959, REV A  
SOLARIS BENCH  
WIRE DIAGRAM



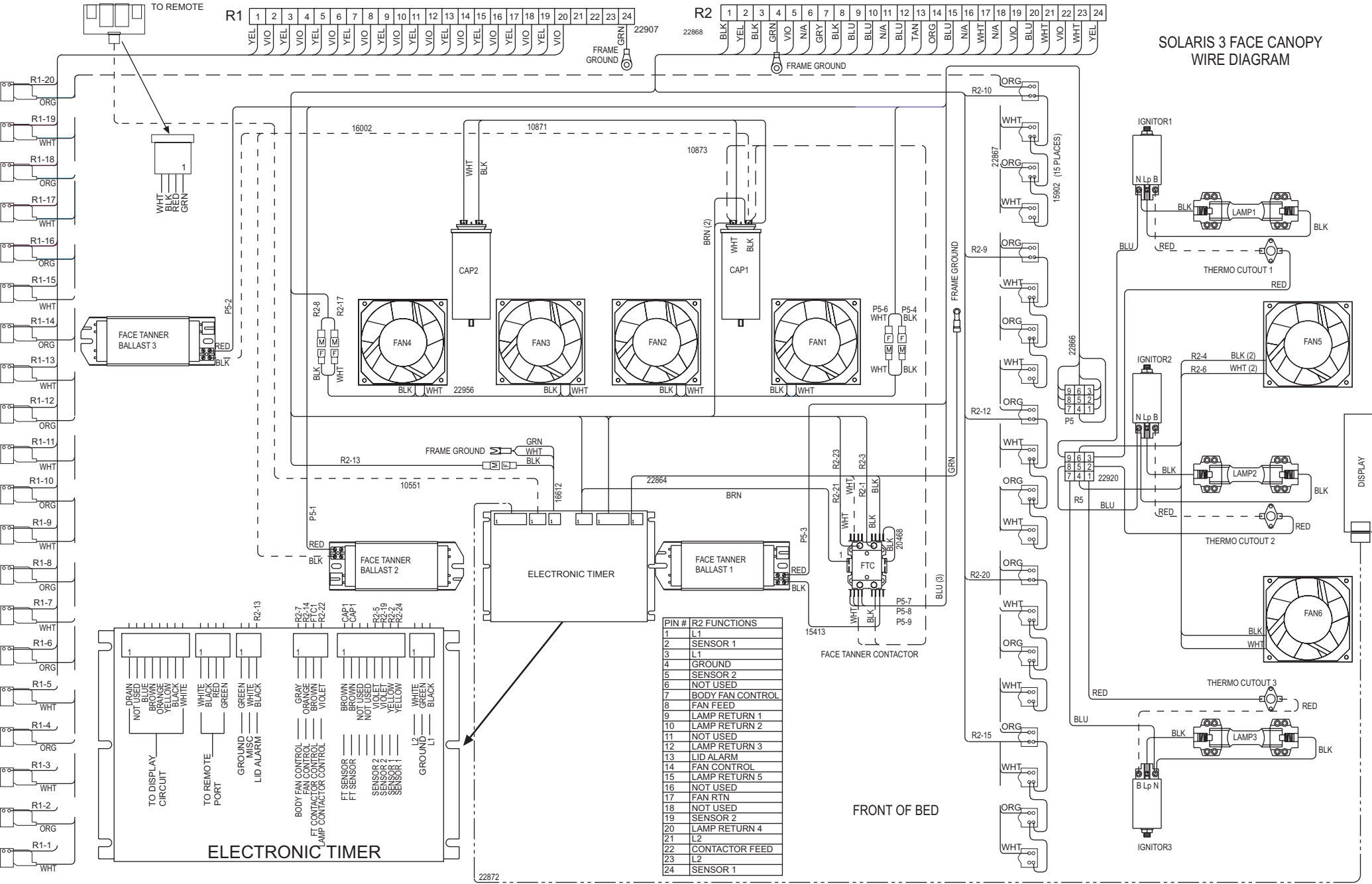
PIN #	R3 FUNCTIONS
1	LAMP RETURN 1
2	GROUND
3	LAMP RETURN 2
4	FAN RETURN
5	BODY FAN CONTROL
6	FAN FEED
7	LAMP RETURN 3
8	BODY FAN FEED
9	LAMP RETURN 4

LL = LEFT LAMPHOLDER  
RL = RIGHT LAMPHOLDER  
R = PANEL MOUNT RECEPTACLE

FRONT OF BED  
(BOTTOM SIDE UP)

WARNING: ALTERING THE DESIGN, TIMER SYSTEM, OR WIRING FROM THAT SHOWN HEREIN, WILL VOID THE WARRANTY, AND MAY RESULT IN A VIOLATION OF FEDERAL LAW.

# SOLARIS 3 FACE CANOPY WIRE DIAGRAM

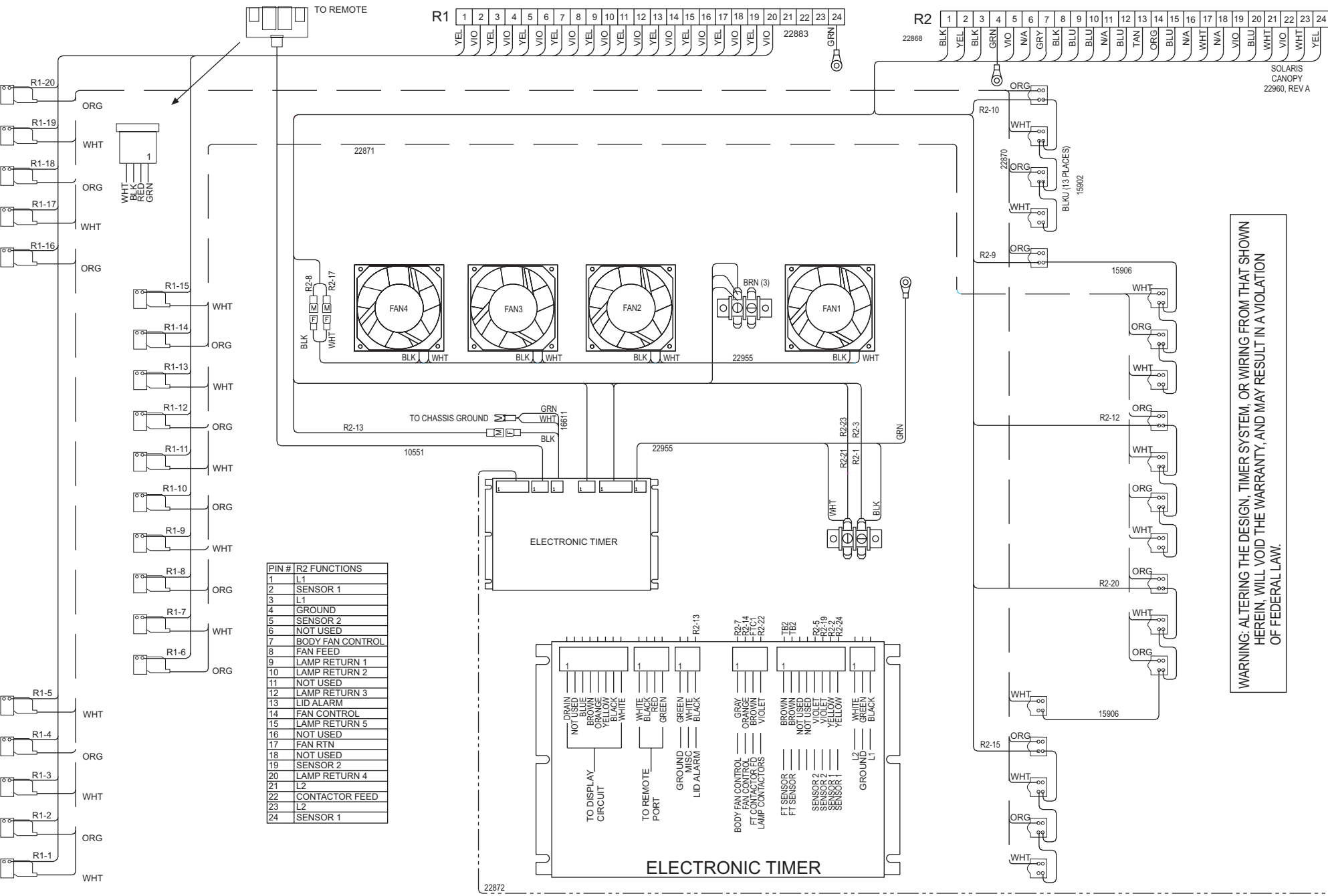


PIN #	R2 FUNCTIONS
1	L1
2	SENSOR 1
3	L1
4	GROUND
5	SENSOR 2
6	NOT USED
7	BODY FAN CONTROL
8	FAN FEED
9	LAMP RETURN 1
10	LAMP RETURN 2
11	NOT USED
12	LAMP RETURN 3
13	LID ALARM
14	FAN CONTROL
15	LAMP RETURN 5
16	NOT USED
17	FAN RTN
18	NOT USED
19	SENSOR 2
20	LAMP RETURN 4
21	L2
22	CONTACTOR FEED
23	L2
24	SENSOR 1

FRONT OF BED

ELECTRONIC TIMER

22872



SOLARIS  
CANOPY  
22960, REV A

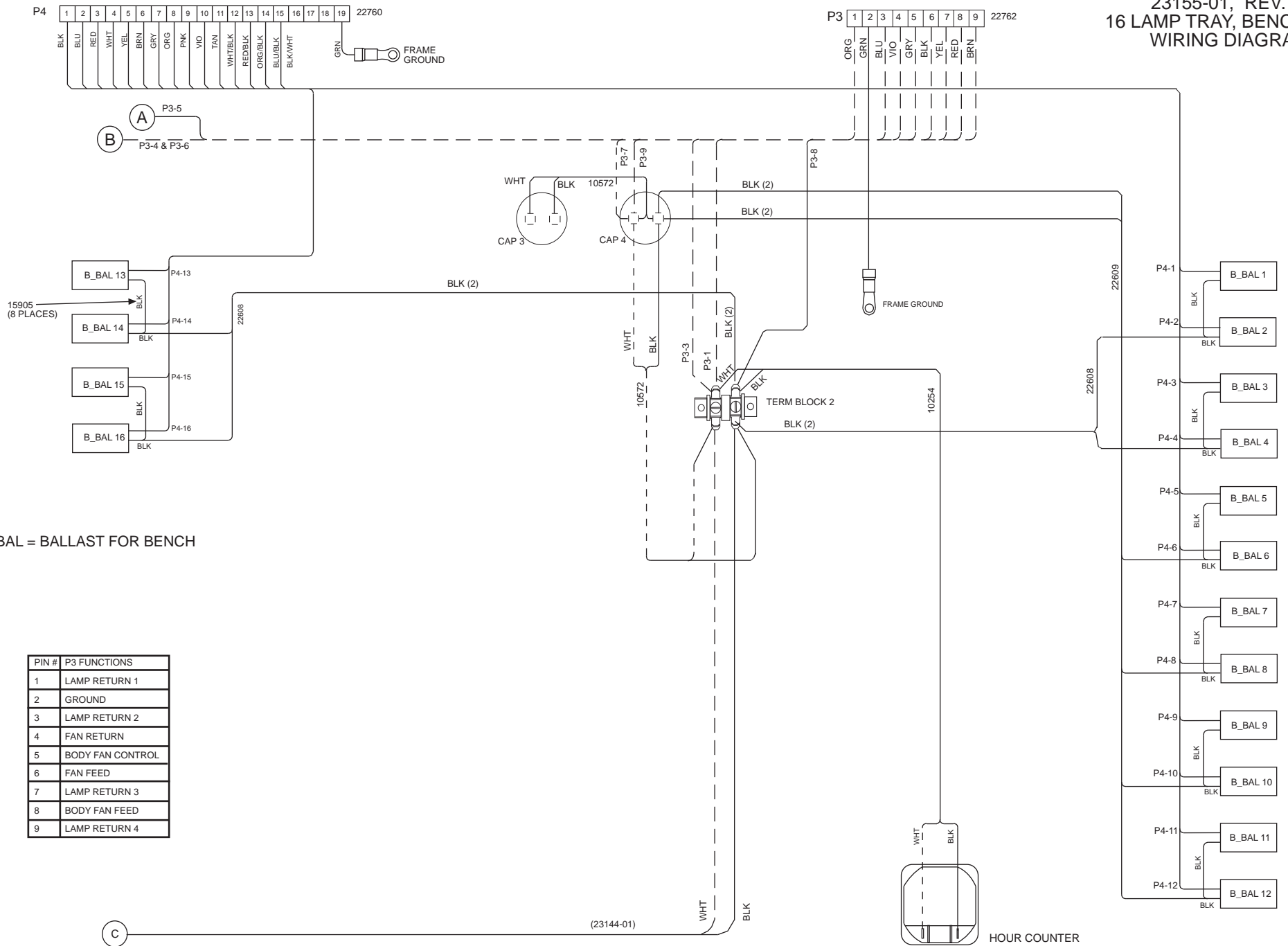
PIN #	R2 FUNCTIONS
1	L1
2	SENSOR 1
3	L1
4	GROUND
5	SENSOR 2
6	NOT USED
7	BODY FAN CONTROL
8	FAN FEED
9	LAMP RETURN 1
10	LAMP RETURN 2
11	NOT USED
12	LAMP RETURN 3
13	LID ALARM
14	FAN CONTROL
15	LAMP RETURN 5
16	NOT USED
17	FAN RTN
18	NOT USED
19	SENSOR 2
20	LAMP RETURN 4
21	L2
22	CONTACTOR FEED
23	L2
24	SENSOR 1

WARNING: ALTERING THE DESIGN, TIMER SYSTEM, OR WIRING FROM THAT SHOWN HEREIN, WILL VOID THE WARRANTY, AND MAY RESULT IN A VIOLATION OF FEDERAL LAW.

DISPLAY

22872

23155-01, REV. B  
16 LAMP TRAY, BENCH SIDE  
WIRING DIAGRAM



B\_BAL = BALLAST FOR BENCH

PIN #	P3 FUNCTIONS
1	LAMP RETURN 1
2	GROUND
3	LAMP RETURN 2
4	FAN RETURN
5	BODY FAN CONTROL
6	FAN FEED
7	LAMP RETURN 3
8	BODY FAN FEED
9	LAMP RETURN 4

WARNING: ALTERING THE DESIGN, TIMER SYSTEM OR WIRING FROM THAT SHOWN HEREIN WILL VOID THE WARRANTY, AND MAY RESULT IN A VIOLATION OF FEDERAL LAW.

FRONT OF TRAY

