

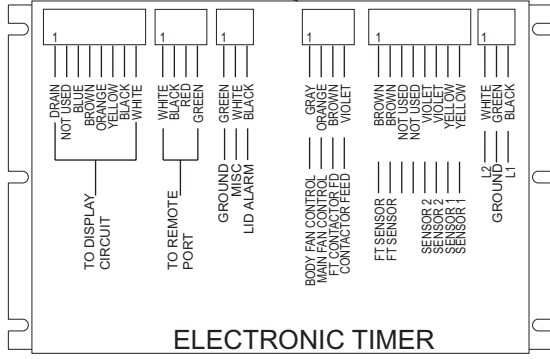
R1

1	2	3	4	5	6	7	8	9	10	11	12	13	14	15	16	17	18	19	20	21	22	23	24	
YEL	VIO	YEL	VIO	YEL	VIO	YEL	VIO	YEL	VIO	YEL	VIO	YEL	VIO	YEL	VIO									

R2

1	2	3	4	5	6	7	8	9	10	11	12	13	14	15	16	17	18	19	20	21	22	23	24
BLK	YEL	BLK	GRN	VIO	NOT USED	NOT USED	BLK	BLU	BLU	BLU	TAN	ORG	NOT USED	NOT USED	WHT	NOT USED	VIO	BLU	BLU	WHT	VIO	WHT	YEL

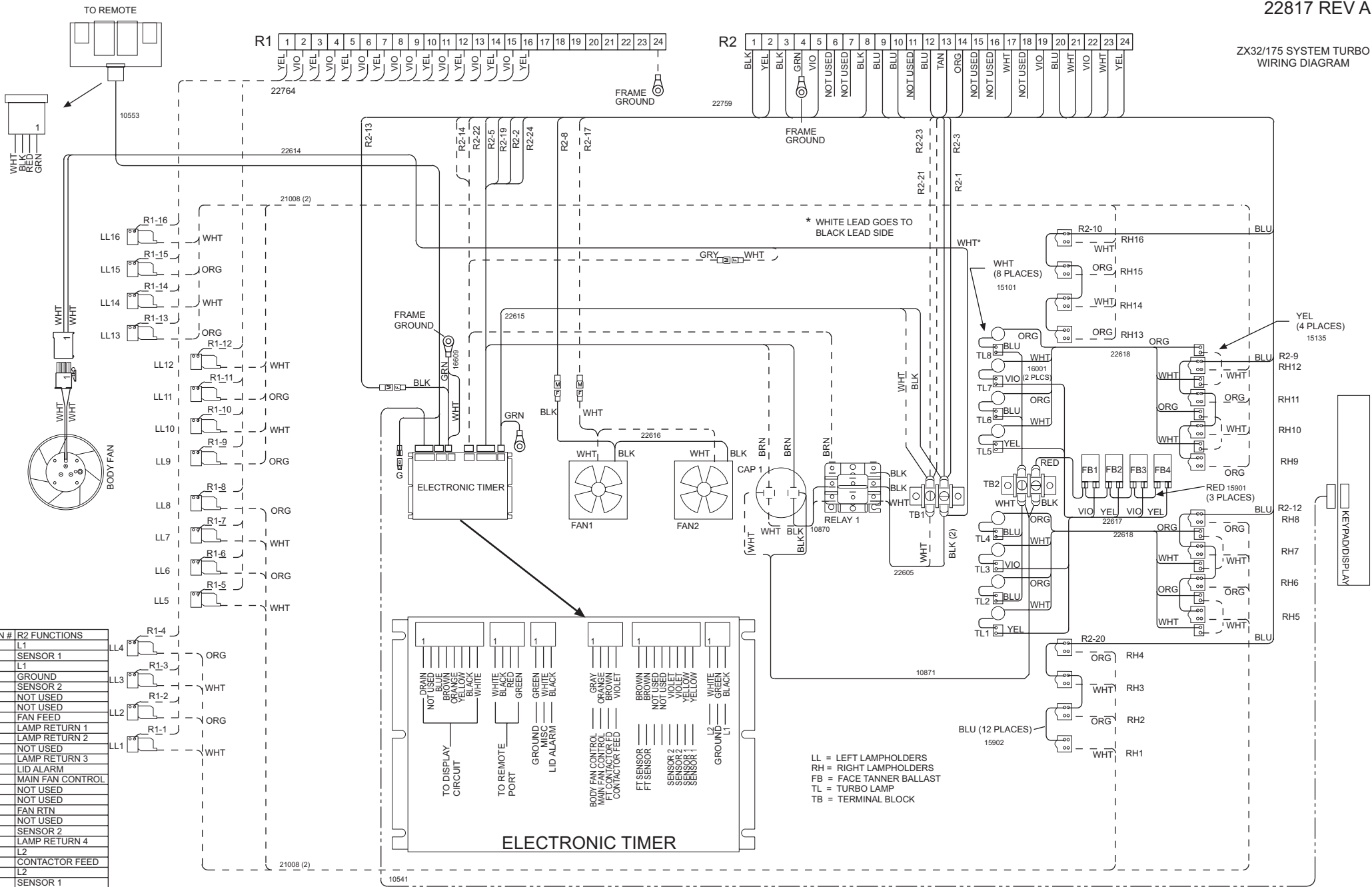
PIN #	R2 FUNCTIONS
1	L1
2	SENSOR 1
3	L1
4	GROUND
5	SENSOR 2
6	NOT USED
7	NOT USED
8	FAN FEED
9	LAMP RETURN 1
10	LAMP RETURN 2
11	NOT USED
12	LAMP RETURN 3
13	LID ALARM
14	MAIN FAN CONTROL
15	NOT USED
16	NOT USED
17	FAN RTN
18	NOT USED
19	SENSOR 2
20	LAMP RETURN 4
21	L2
22	CONTACTOR FEED
23	L2
24	SENSOR 1



WARNING: ALTERING THE DESIGN, TIMER SYSTEM, OR WIRING FROM THAT SHOWN HEREIN, WILL VOID THE WARRANTY, AND MAY RESULT IN A VIOLATION OF FEDERAL LAW.

LL = LEFT LAMP HOLDERS
RH = RIGHT LAMP HOLDERS
TB = TERMINAL BLOCK

BLU (12 PLACES)
15902



PIN #	R2 FUNCTIONS
1	L1
2	SENSOR 1
3	L1
4	GROUND
5	SENSOR 2
6	NOT USED
7	NOT USED
8	FAN FEED
9	LAMP RETURN 1
10	LAMP RETURN 2
11	NOT USED
12	LAMP RETURN 3
13	LID ALARM
14	MAIN FAN CONTROL
15	NOT USED
16	NOT USED
17	FAN RTN
18	NOT USED
19	SENSOR 2
20	LAMP RETURN 4
21	L2
22	CONTACTOR FEED
23	L2
24	SENSOR 1

LL = LEFT LAMP HOLDERS
 RH = RIGHT LAMP HOLDERS
 FB = FACE TANNER BALLAST
 TL = TURBO LAMP
 TB = TERMINAL BLOCK