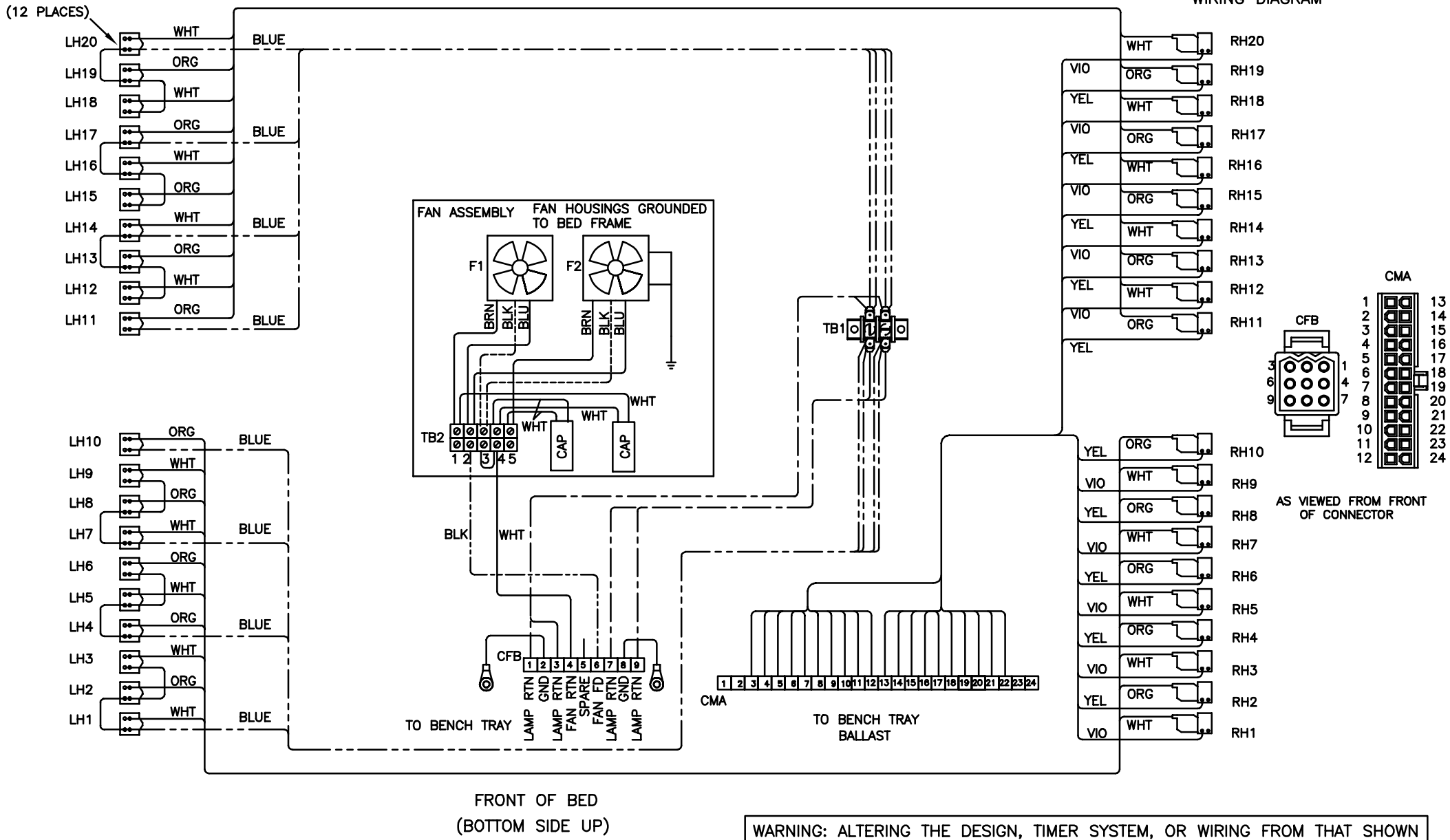


SUNSTAR 40 BENCH
WIRING DIAGRAM



FRONT OF BED
(BOTTOM SIDE UP)

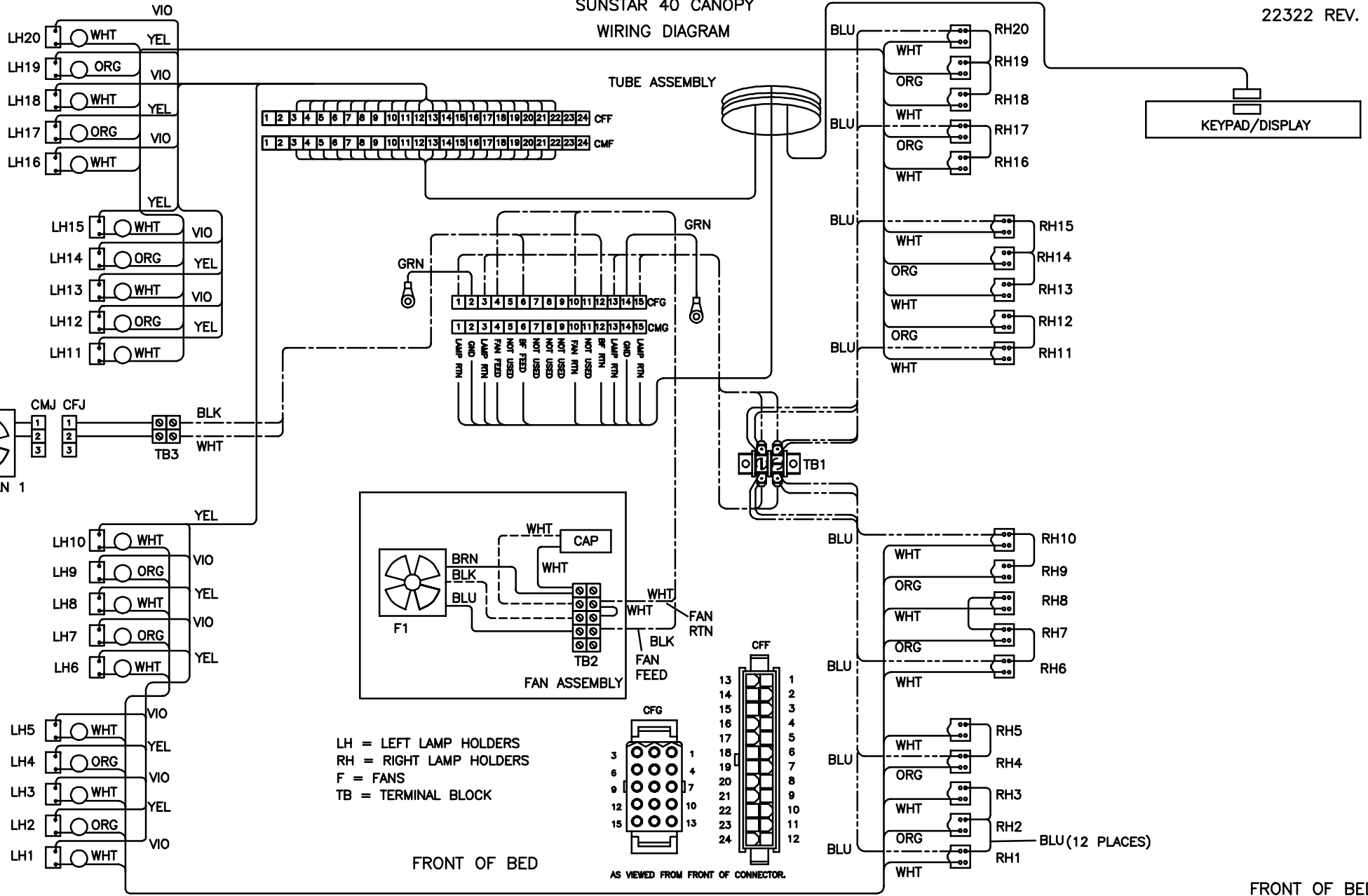
AS VIEWED FROM FRONT
OF CONNECTOR

NOTE: 1. WIRE COLORS MAY NOT BE EXACTLY AS SHOWN.

WARNING: ALTERING THE DESIGN, TIMER SYSTEM, OR WIRING FROM THAT SHOWN HEREIN, WILL VOID THE WARRANTY, AND MAY RESULT IN A VIOLATION OF FEDERAL LAW.

SUNSTAR 40 CANOPY WIRING DIAGRAM

22322 REV. C

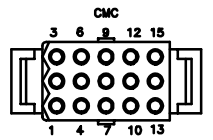
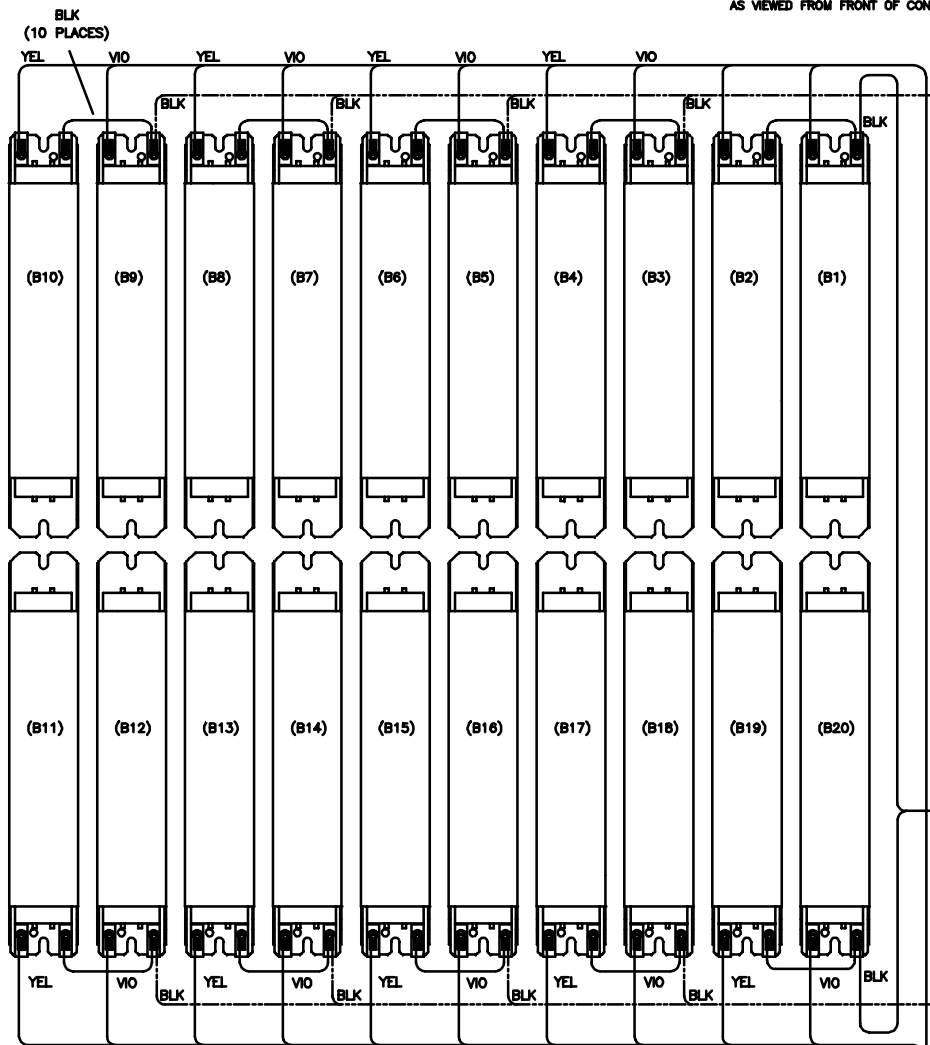


NOTE: 1. WIRE COLORS MAY NOT BE EXACTLY AS SHOWN.

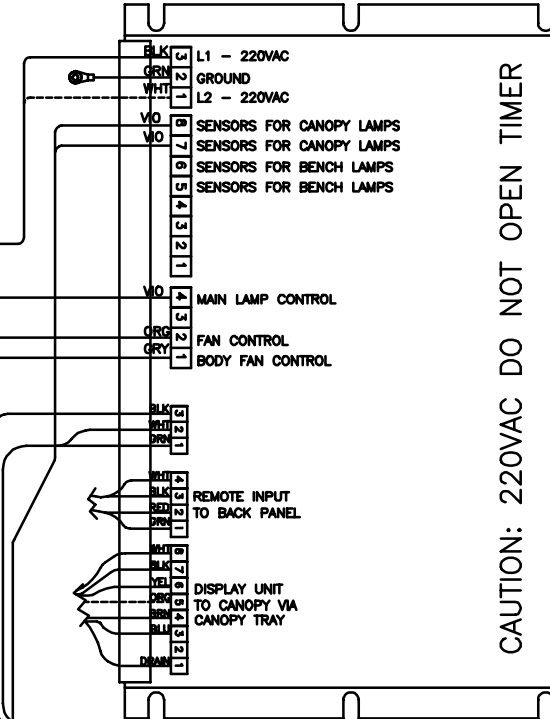
FRONT OF BED
(TOP SIDE UP)

SUNSTAR SUPER ZX40 BENCH TRAY WIRING DIAGRAM

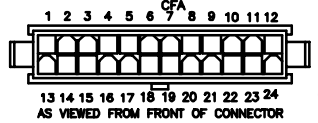
NOTE: 1.WIRE COLORS MAY NOT BE
EXACTLY AS SHOWN.



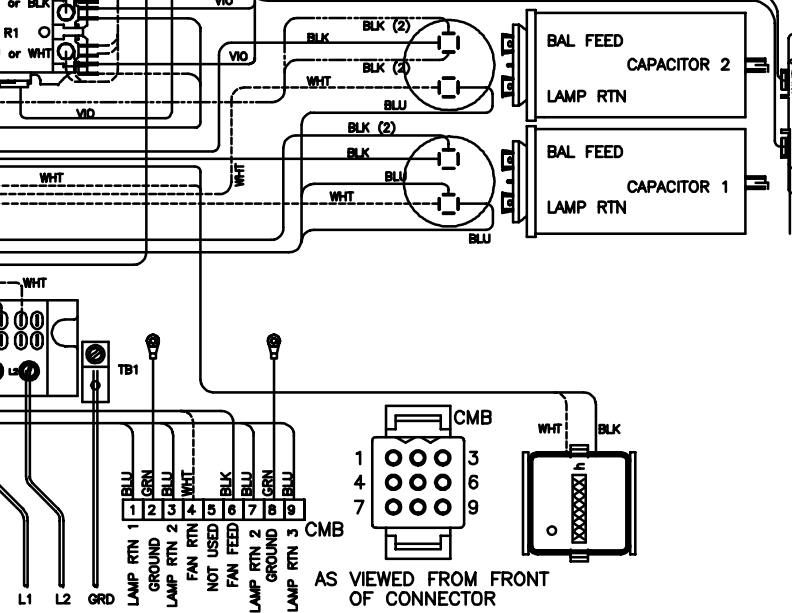
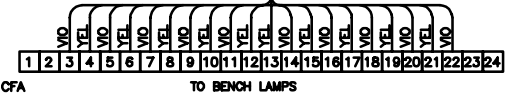
AS VIEWED FROM FRONT OF CONNECTOR.



CAUTION: 220VAC DO NOT OPEN TIMER

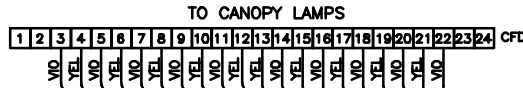
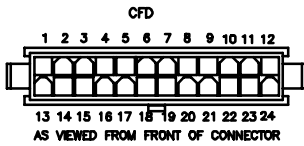


AS VIEWED FROM FRONT OF CONNECTOR

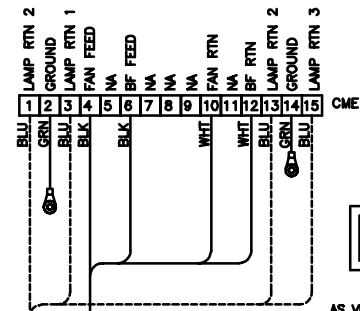
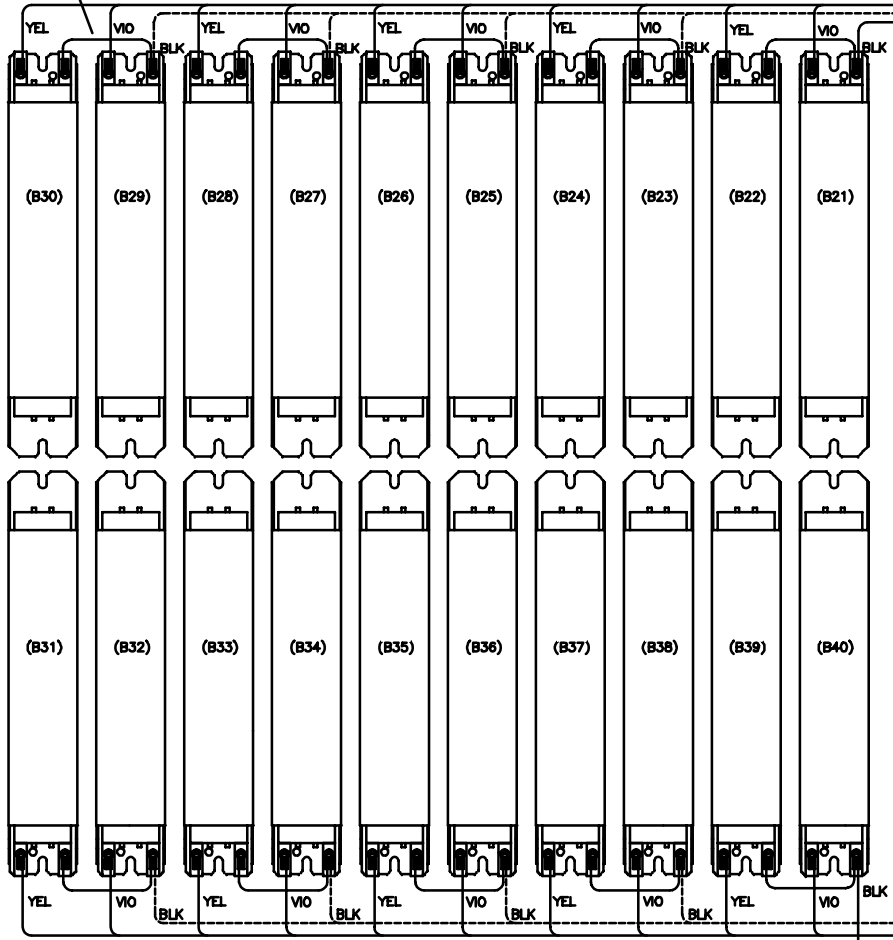


AS VIEWED FROM FRONT OF CONNECTOR

SUNSTAR SUPER ZX40 CANOPY TRAY WIRING DIAGRAM

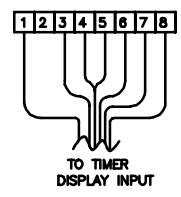
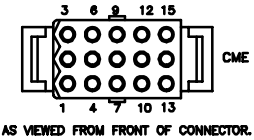


BLK (10 PLACES)

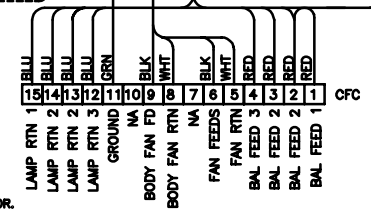
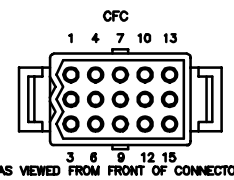
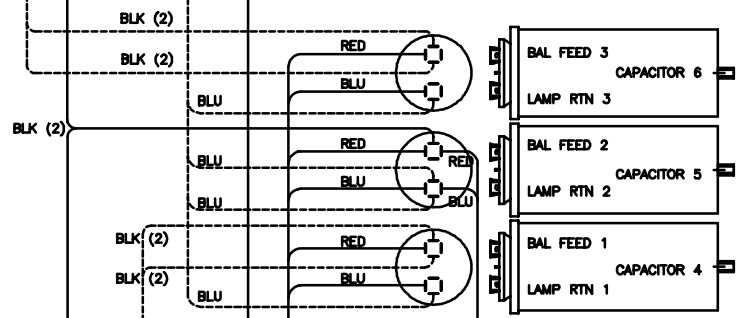


6220 CHURCHMAN BYPASS
INDIANAPOLIS, IN 46203

NOTE: 1. WIRE COLORS MAY NOT BE EXACTLY AS SHOWN.



TRAY FRONT



WARNING: ALTERING THE DESIGN, TIMER SYSTEM, OR WIRING FROM THAT SHOWN HEREIN, WILL VOID THE WARRANTY, AND MAY RESULT IN A VIOLATION OF FEDERAL LAW.

22318 REV. B