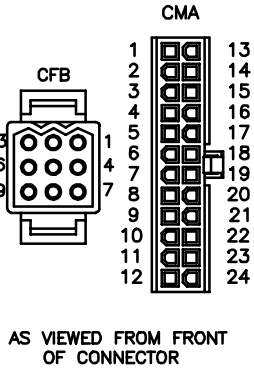
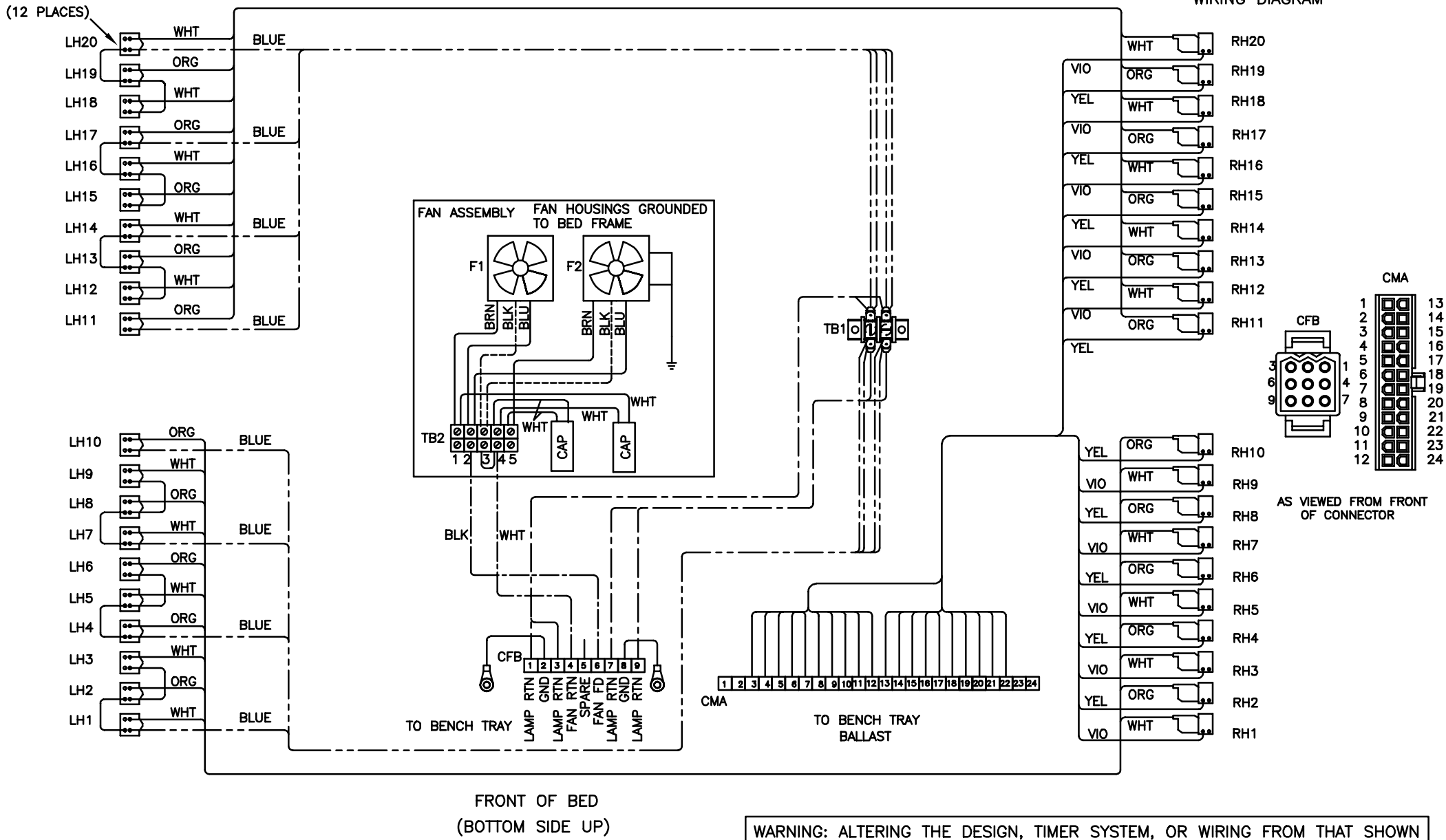


SUNSTAR 44 BENCH
WIRING DIAGRAM

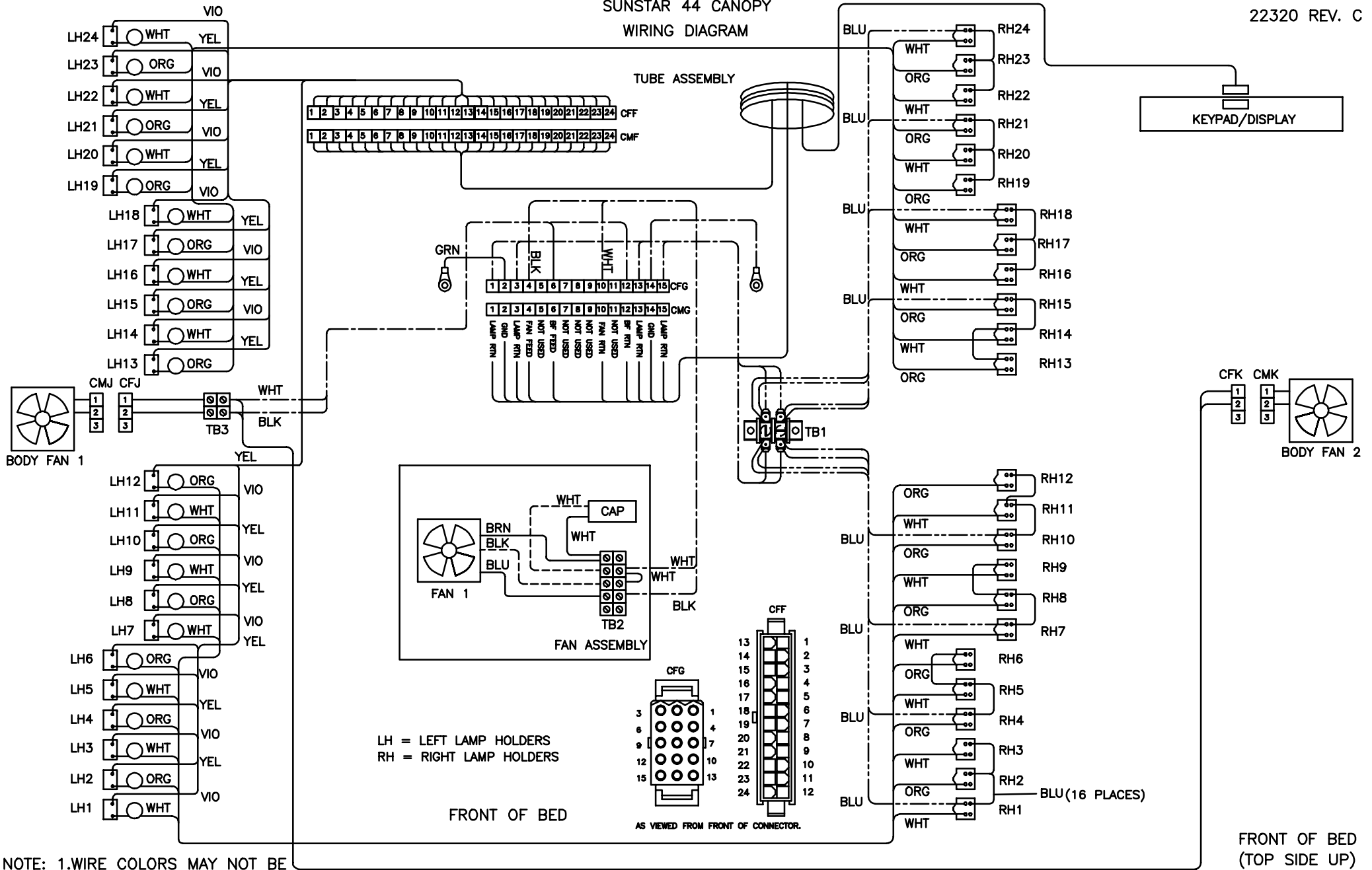


NOTE: 1. WIRE COLORS MAY NOT BE EXACTLY AS SHOWN.

WARNING: ALTERING THE DESIGN, TIMER SYSTEM, OR WIRING FROM THAT SHOWN HEREIN, WILL VOID THE WARRANTY, AND MAY RESULT IN A VIOLATION OF FEDERAL LAW.

SUNSTAR 44 CANOPY WIRING DIAGRAM

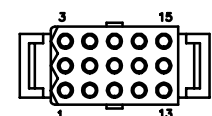
22320 REV. C



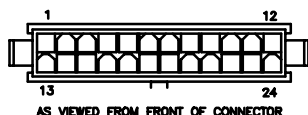
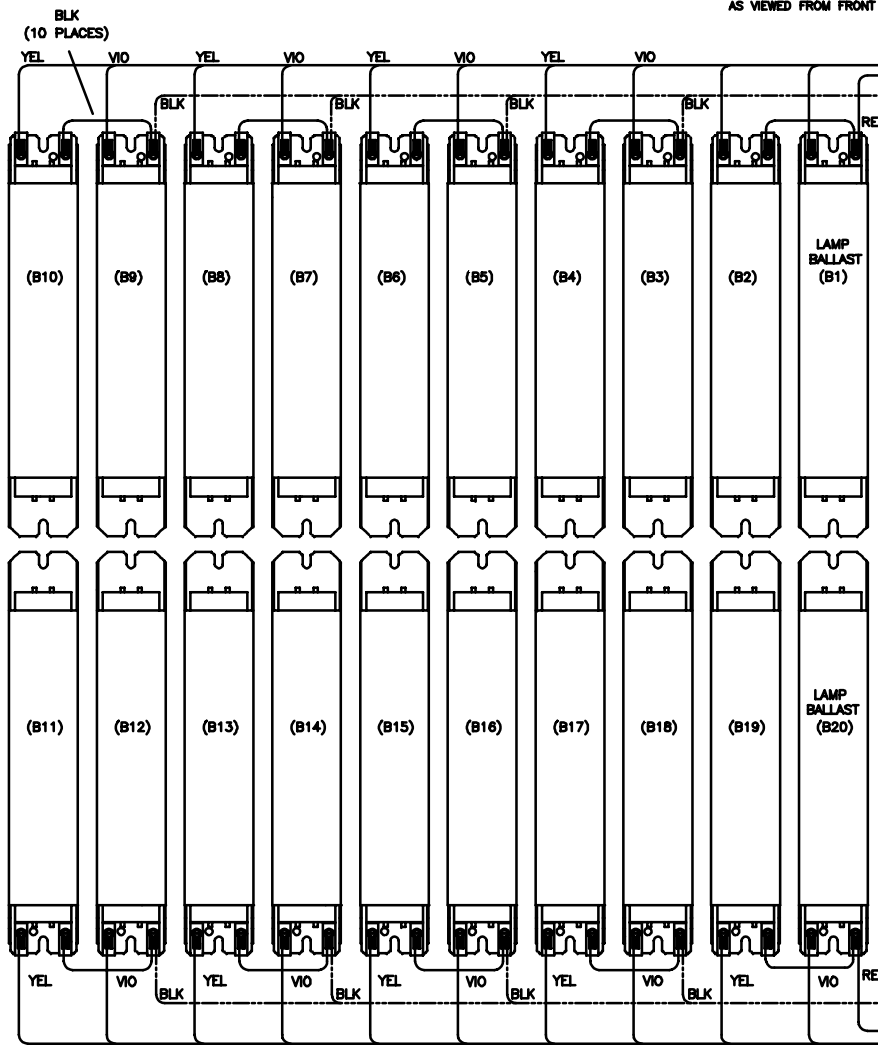
NOTE: 1. WIRE COLORS MAY NOT BE EXACTLY AS SHOWN.

SUNSTAR SUPER ZX44 BENCH TRAY WIRING DIAGRAM

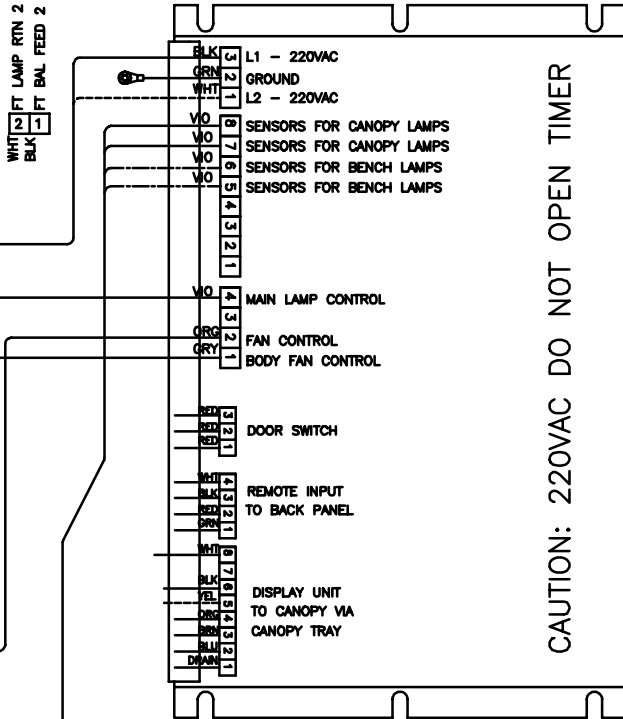
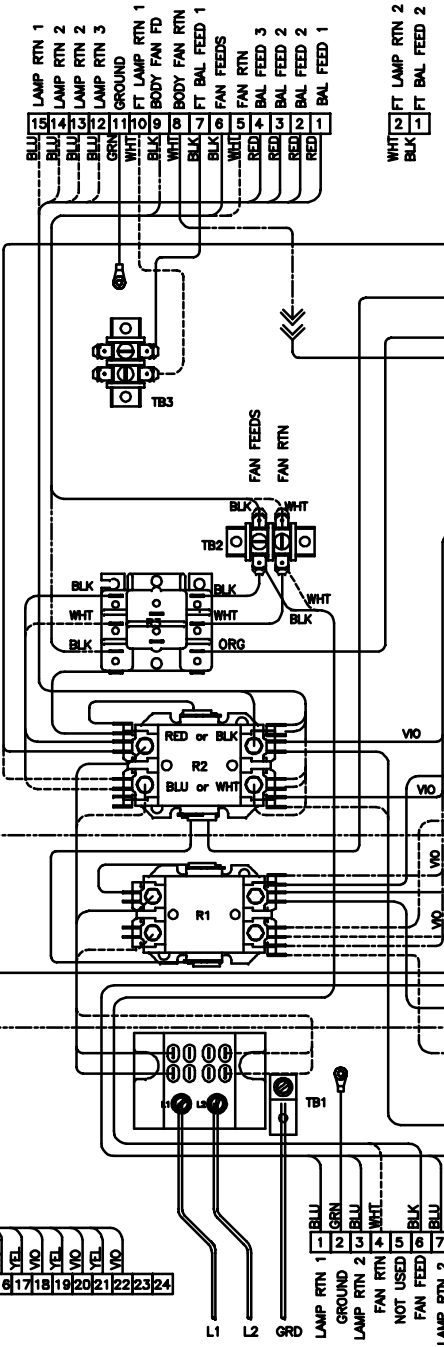
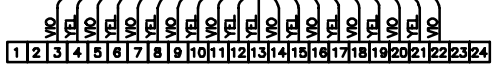
NOTE: 1.WIRE COLORS MAY NOT BE
EXACTLY AS SHOWN.



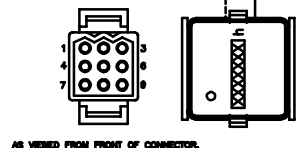
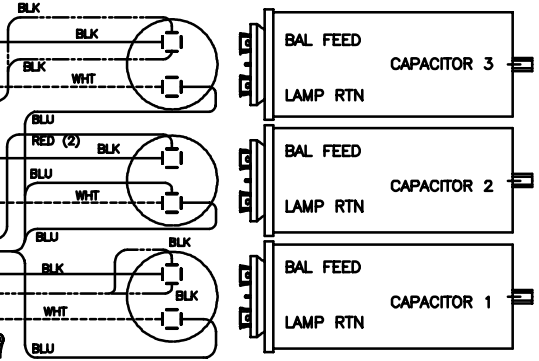
AS VIEWED FROM FRONT OF CONNECTOR.



AS VIEWED FROM FRONT OF CONNECTOR



CAUTION: 220VAC DO NOT OPEN TIMER



AS VIEWED FROM FRONT OF CONNECTOR.



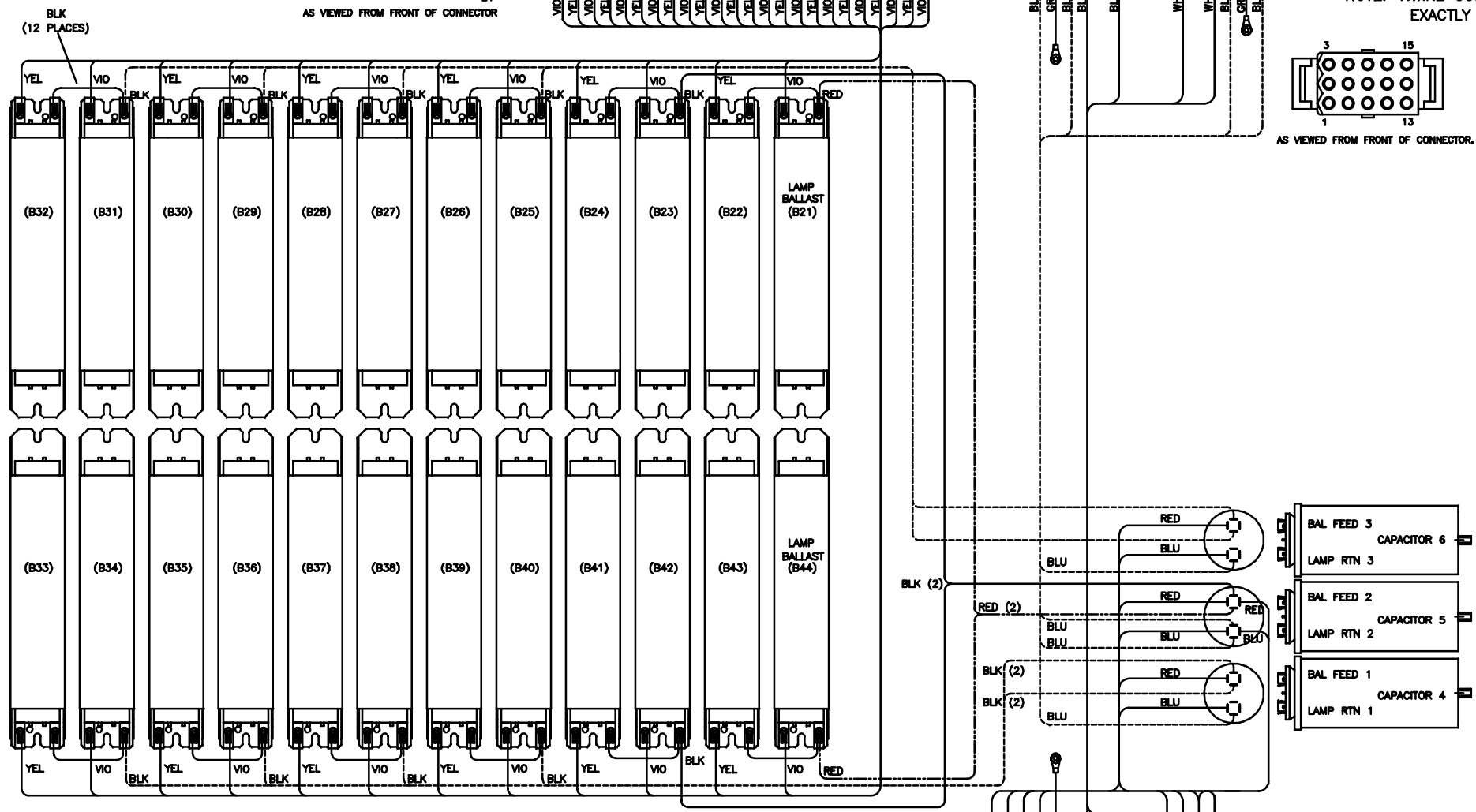
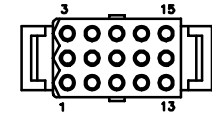
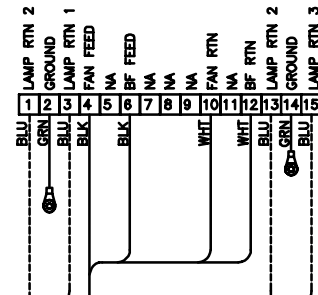
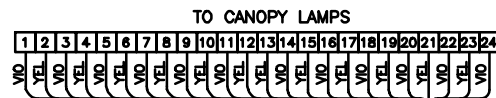
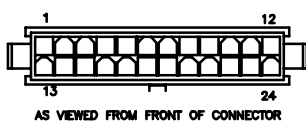
AS VIEWED FROM FRONT OF CONNECTOR.

SUNSTAR SUPER ZX44 CANOPY TRAY WIRING DIAGRAM

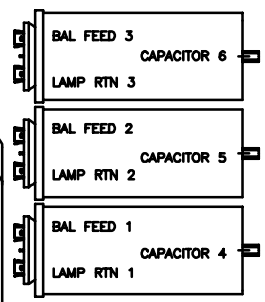


6220 CHURCHMAN BYPASS
INDIANAPOLIS, IN 46203

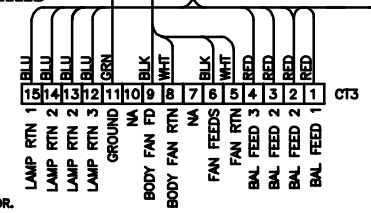
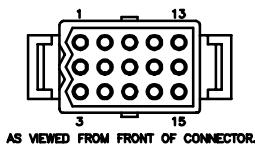
NOTE: 1. WIRE COLORS MAY NOT BE
EXACTLY AS SHOWN.



TRAY FRONT



**WARNING: ALTERING THE DESIGN, TIMER SYSTEM, OR WIRING FROM THAT SHOWN
HEREIN, WILL VOID THE WARRANTY, AND MAY RESULT IN A VIOLATION
OF FEDERAL LAW.**



22316 REV. B