



user manual

30596-03A

36 MONTH “SILVER MEDAL” WARRANTY

Your ETS Distributor (including **ETS, LLC** if purchased directly), through a manufacturer’s warranty, warrants your tanning unit to be free of structural defects in material and workmanship, under normal use, for its lifetime. Your ETS Distributor will, at its discretion, repair any structural defect which materially affects the performance of the tanning unit, or replace the tanning unit.

For **thirty-six (36) months** following the purchase date of your tanning unit, your ETS Distributor will provide replacements for parts that prove to be defective in material or workmanship, with the following exceptions: gas springs, ballasts and electronic lamp starters are warranted against manufacturer’s defects for a period of one (1) year; “glow tube” lamp starters and cracked or broken endcaps are warranted against manufacturer’s defects for a period of ninety (90) days; fluorescent lamps are warranted against manufacturer’s defects for a period of thirty (30) days; acrylics are warranted against manufacturer’s defects for a period of six (6) months (prorated) following the purchase date of your tanning unit. Shipping charges will be covered during the first sixty (60) days following the purchase date.

Your ETS Distributor (including **ETS, LLC** if purchased directly), also extends to you a two (2) year parts warranty on all T-Max® remote system components. External voltage transformers (buck-boosters) are covered by a one (1) year parts and labor warranty, provided you send back the defective transformer.

Labor costs associated with repair or replacement work covered by this warranty will be reimbursed for repair or replacement work required to be performed for a period of sixty (60) days following the shipping date of your tanning unit. Normal wear and tear, damage from misuse or abuse, damage incurred in transit or damages resulting from unauthorized repairs or modifications are not covered by this warranty. Warranty coverage does not include cosmetic abnormalities such as scratches, nicks, dents, or other cosmetic changes that do not materially interfere with the function of the tanning unit.

THIS 36 MONTH “SILVER MEDAL” WARRANTY IS EXPRESSLY MADE IN LIEU OF ANY OTHER WARRANTIES, EXPRESS OR IMPLIED, INCLUDING ANY IMPLIED WARRANTIES OF MERCHANTABILITY AND FITNESS FOR A PARTICULAR PURPOSE,

WHICH ARE HEREBY DISCLAIMED. No one has the authority to change or modify this 36 Month “Silver Medal” Warranty in any respect. To obtain service under this 36 Month “Silver Medal” Warranty, contact your authorized ETS Distributor (or **ETS, LLC** if purchased directly). Proof of purchase, including serial number, is required.

IN NO EVENT SHALL YOUR DISTRIBUTOR OR THE MANUFACTURER BE LIABLE AT LAW OR IN EQUITY FOR ANY LOSS, LIABILITY, DAMAGE OR EXPENSE IN AN AMOUNT IN EXCESS OF THE PURCHASE PRICE RECEIVED, OR FOR LOSS OF USE OR PROFITS, LOSS OF TIME, INCONVENIENCE, RENTAL OR SUBSTITUTE PRODUCTS, LOSS OF BUSINESS, LOSS OF INCOME, OR ANY OTHER INCIDENTAL, INDIRECT, SPECIAL OR CONSEQUENTIAL DAMAGES. Some states do not allow the exclusion or limitation of incidental or consequential damages, and the above limitation or exclusion will not apply to residents of some states. This 36 Month “Silver Medal” Warranty gives you specific, legal rights and you may have other rights which may vary from state to state.

All warranty service must be performed by an authorized service person using only ETS authorized replacement parts. Use of non-authorized parts may void your warranty. All labor charges must be authorized by your ETS Distributor prior to the start of repairs and must not exceed the established rates and time allotment policies established by your ETS Distributor. If your tanning unit must be returned for service within thirty (30) days from the purchase date, freight charges will be paid for by your ETS Distributor, after which all freight charges shall be at your expense. Contact your ETS Distributor for the authorized Service Center nearest you. This warranty is serial number specific and only applies to tanning units purchased through an authorized ETS Distributor. This warranty is extended to the individual or legal entity whose name appears on the original sales document and may not be transferred to any other individual or legal entity. This warranty is void if the tanning unit is modified in any manner from its original design.

To obtain warranty service, contact your place of purchase. Proof of purchase, including serial number, is required for verification. Contact ETS, LLC only if you purchased your equipment directly.

Thank you for purchasing this tanning bed. It has been designed to provide years of dependable service for you.

Please read all the instructions in this booklet before installing and using the unit. Always be sure to observe all safety precautions.

	⚠ WARNING
	Shock hazard. Disconnect power before servicing.

⚠ CAUTION
Use of a voltage source above 245V AC may prevent proper operation of the sunbed and could cause damage and void the warranty.

⚠ CAUTION
Air from the room is used to cool the sunbed. Maximum ambient room temperature should be 80°F. Place your sunbed no closer than 6" from any wall. Make sure nothing obstructs the airflow into or out of the fan openings. A poorly ventilated room may cause the unit to become hot and cause discomfort to the user.

⚠ CAUTION
Proper assembly of your sunbed requires three people. Plan to have a couple of helpers assist you.

Contents

Warranty	2
Safety Information	4-5
Unpacking and Inspection.....	6
Tools Required.....	6
Pre-installation Planning.....	7
Hardware Inventory.....	8
Assembly Procedures.....	9
Electrical Connections	16
Connecting to Provision Security	17
Operation.....	19
Care and Maintenance	21
Lamp and Acrylic Replacement	22
Troubleshooting.....	24

DANGER Ultraviolet radiation. Follow instructions. Avoid overexposure. As with natural sunlight, overexposure can cause eye and skin injury and allergic reactions. Repeated exposure may cause premature aging of the skin and skin cancer. **WEAR PROTECTIVE EYEWEAR; FAILURE TO MAY RESULT IN SEVERE BURNS OR LONGTERM INJURY TO THE EYES.** Medications or cosmetics may increase your sensitivity to the ultraviolet radiation. Consult physician before using sunlamp if you are using medications or have a history of skin problems or believe yourself especially sensitive to sunlight. If you do not tan in the sun, you are unlikely to tan from the use of this product. Children, the elderly, or fair skinned people who always burn easily and either never tan or tan minimally should not use this equipment.



To use, lie down under canopy and pull down as far as adjustment will allow maintaining at least 1 inch (2.5 centimeters) between your body and canopy clear plastic panel, otherwise overexposure may occur. Minimum use distance from face tanner (if equipped) is 4 inches (10.2 centimeters). Minimum use distance elsewhere is touching the clear plastic panels. Do not use without clear plastic panels in place. Untanned persons should not tan on consecutive days during their first week of tanning. Never tan more than once a day. Tanning normally appears after the first few sessions and maximizes after approximately four weeks. Tan once or twice per week thereafter to maintain appearance. Persons already having a base tan may begin at advanced levels corresponding to the extent of their base tan.

RECOMMENDED EXPOSURE TIMES IN MINUTES		MAXIMUM EXPOSURE TIME IS 20 MINUTES				
Skin Type:		Level 1/Week 1 1st-3rd Sessions	Level 2	Level 3	Level 4	Level 5
I Sensitive Skin	(Burns easily and severely and does not tan.)	NOT RECOMMENDED FOR TANNING				
II Light	(Burns easily and severely and tans minimally.)	4	8	12	16	20
III Normal	(Burns moderately and tans average.)	6	10	15	20	20
IV Dark	(Burns minimally, tans easily and above average.)	8	12	16	20	20

New lamps emit approximately 10% more ultraviolet radiation during the first 50 hours of operation. Recommended tanning times should therefore be reduced by approximately 10% during that period.

WARNING: • Read the instructions booklet before using this sunlamp product. • All persons in the room should wear protective eyewear when lamps are on. Recommended eyewear: provided eyeshields or equivalent eyewear as defined under 21 CFR 1040.20. Other types of eyewear may not provide adequate protection. Failure to use protective eyewear may result in severe burns or other eye injury. If discomfort develops, discontinue use and consult a physician.

ONLY THE FOLLOWING LAMPS HAVE BEEN CERTIFIED FOR USE IN THIS EQUIPMENT:

Velocity® Model VEL 71-T12-100W

Velocity® Select Model VS 71-T12-100W Bi-Pin

Heraeus E400 HPT, Philips Model HPA 400/30s or CosmoTech Model 23045 (SolarMax™ IFT facial unit, if equipped)

**Disconnect power before attempting to clean, relamp,
or engage in the maintenance of this product**

THIS EQUIPMENT MUST BE EARTH GROUNDED.

This product is in conformity with performance standards for sun lamp products under 21 CFR PART 1040.20 and ANSI/UL Standard 482. Certified to CAN/CSA Standard C22.2 NO. 224.



Intertek
88465

30596-03A

DANGER

Rayonnement ultraviolet. Veuillez suivre les instructions. Évitez une exposition excessive. Tout comme pour les rayons du soleil, une exposition excessive peut causer des blessures aux yeux et à la peau et provoquer des réactions allergiques. Une exposition répétée peut causer le vieillissement prématuré de la peau et provoquer le cancer de la peau. **PORTEZ DES LUNETTES PROTECTRICES: LE NON-RESPECT DE CETTE CONSIGNE DE SÉCURITÉ PEUT ENTRAÎNER DE GRAVES BRÛLURES OU DES LÉSIONS OCULAIRES À LONG TERME.** Les médicaments ou les produits cosmétiques peuvent augmenter votre sensibilité au rayonnement ultraviolet. Consultez un médecin avant d'utiliser la lampe solaire si vous prenez des médicaments, si vous souffrez d'une maladie cutanée ou si vous croyez être particulièrement sensible aux rayons du soleil. Si vous ne bronzez pas au soleil, il est peu probable que vous bronzez sous une lampe solaire. Les enfants, les personnes âgées et les personnes qui ont une peau claire qui brûle facilement, ne bronze jamais ou alors très peu, ne devraient pas utiliser cette lampe.

Étendez-vous sous la partie supérieure, puis abaissez celle-ci aussi bas que possible, en veillant cependant à conserver un espace d'au moins 1 pouce (2,5 centimètres) entre le corps et le panneau de plastique transparent de la partie supérieure, afin d'éviter une exposition excessive. La distance minimale d'usage de l'appareil de bronzage pour le visage (si muni) est de 4 pouces (10,2 centimètres). Les autres parties du corps peuvent toucher les panneaux de plastique transparents. N'utilisez pas la lampe sans les panneaux de plastique transparents. La première semaine de bronzage, les personnes qui n'ont pas un hâle initial ne doivent pas se faire bronzer tous les jours. Ne vous faites jamais bronzer plus d'une fois par jour. Le bronzage commence normalement à apparaître après les premières séances : il atteint son apogée au bout d'environ quatre semaines. Les personnes qui ont déjà un teint hâlé peuvent commencer à des niveaux plus élevés, selon l'importance de leur hâle initial.

TEMPS D'EXPOSITION RECOMMANDÉ EN MINUTES	LE TEMPS D'EXPOSITION MAXIMAL EST DE 20 MINUTES					
	Élevé 1/Semaine 1 1ere-3e	Élevé 2	Élevé 3	Élevé 4	Élevé 5	
Type de peau:						
I Peau sensible (brûle facilement et ne bronze pas)		NON RECOMMANDÉ				
II Peau claire (brûle facilement et bronze très peu)	4	8	12	16	20	
III Peau normale (brûle et bronze de façon modérée)	6	10	15	20	20	
IV Peau foncée (brûle très peu, bronze plus facilement que la moyenne)	8	12	16	20	20	

Les lampes neuves émettent approximativement 10 % de plus de rayons ultraviolets au cours des 50 premières heures de fonctionnement. Le temps de bronzage doit donc être réduit d'environ 10 % pendant cette période.

AVERTISSEMENT : • Lisez le livret d'instructions avant d'utiliser cette lampe solaire. • Les autres personnes présentes dans la pièce doivent aussi porter des lunettes protectrices lorsque les lampes sont allumées. Coquilles de protection pour les yeux recommandées: Les coquilles de protection fournies ou l'équivalent, tel que le stipule le document 21 CFR 1040.20. Les autres types de lunettes protectrices peuvent ne pas assurer une protection adéquate. Utilisé sans lunettes protectrices, ce produit peut causer des brûlures ou lésions oculaires graves. Si vous souffrez d'un malaise, arrêtez l'utilisation et consultez un médecin.

SEULES LES LAMPES SUIVANTES ONT ÉTÉ HOMOLOGUÉES POUR CET ÉQUIPEMENT :

Velocity® Modèle VEL 71-T12-100W -ou- Velocity® Select Modèle VS 71-T12-100W Bi-Pin
Heraeus E400 HPT, Philips Modèle HPA 400/30s ou CosmoTech Modèle 23045 (unité faciale)

**Débrancher l'alimentation électrique avant de nettoyer l'appareil ,
d'en faire l'entretien ou de changer les lampes**

Cet équipement doit être mis à la terre.

Ce produit est conforme aux normes de rendement pour les lampes solaires dans le documents 21 CFR, partie 1040.20 , ANSI/UL 482 , CAN/CSA C22.2 N° 224.



Unpacking and Inspection

Your sunbed comes in two cardboard cartons, one for the bench and one for the canopy. Open the cartons and remove the bench and canopy as follows.

The bench is packed upside-down in its box for ease of removal. Simply stand the box up on the long side so the back of the bench rests on the floor (see right). Then carefully tip the bench out of the box.

The canopy is packed wrapped in plastic. Pull back the plastic and, with a helper, grasp the canopy and pull it from the carton bottom, leaving the plastic wrap and the carton packaging. Do not attempt to lift either unit with the plastic still on as it may slip.

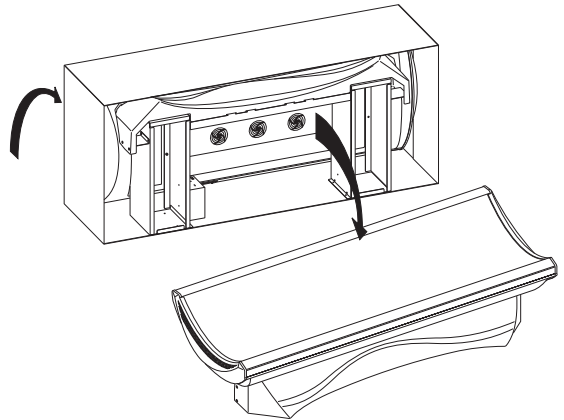
Note! The cartons are reusable. You may wish to save them for future use.

As you unpack your boxes you should find the following:

- Canopy unit
- Bench unit
- Pair of gas springs
- Bag containing necessary assembly hardware, safety goggles and pillow
- Gas spring cover panel

Inspect these items, including the canopy and bench, and make sure they are free from any visible damage. Report the extent of any damage to the transportation company.

Record the serial numbers of the canopy and bench in the area provided at the back of this manual. This information will be required whenever you call customer service.



Unpacking the bench

Tools Required

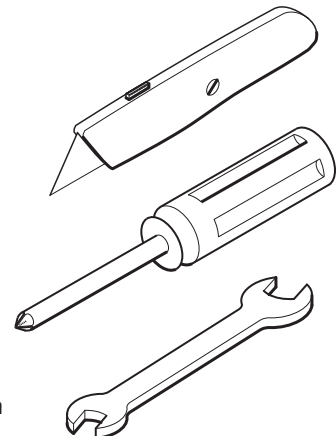
You will need the following tools to assemble your sunbed.

Utility Knife

#2 Phillips

Screwdriver

7/16" Wrench



Pre-installation Planning

Before you begin to assemble your sunbed, you should observe the following considerations.

Electrical Requirements

You are responsible for preparing the facility for your tanning bed. Please have an electrician present at the time your tanning bed is installed. That way the installation crew can fully verify all functions before they leave.

This unit runs on 220VAC service and must be hardwired directly to a junction box on a dedicated circuit. **A professional electrician is recommended for electrical installation.**

See the back cover of this manual for power requirements.

See page 16 for wiring instructions.

⚠ CAUTION

Use of a voltage source above 245V AC may prevent proper operation of the sunbed and could cause damage and void the warranty.

⚠ CAUTION

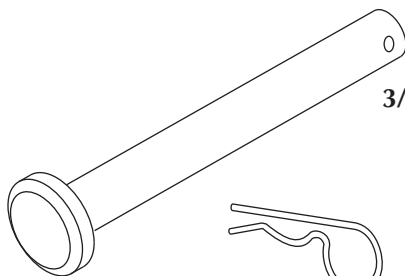
Proper assembly of your sunbed requires 3 people. Plan to have some helpers assist you.

⚠ CAUTION

Air from the room is used to cool the sunbed. Maximum ambient room temperature should be 80°F. Place your sunbed no closer than 6" from any wall. Make sure nothing obstructs the airflow into or out of the fan openings and endcaps. A poorly ventilated room may cause the unit to become hot and cause discomfort to the user.

Hardware Inventory

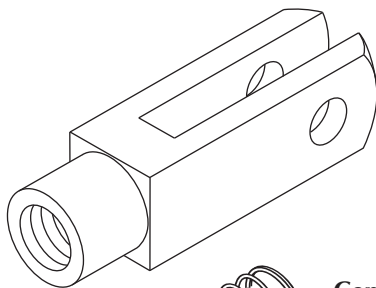
Use the utility knife to cut open the hardware bag. Remove the hardware. Make sure you have the following items.



Clevis Pin
3/8" x 2 1/64"
Quantity 2



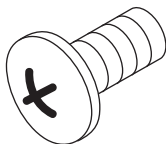
Bridge Pin
Quantity 4



Clevis Fork, M10 Long
Quantity 4



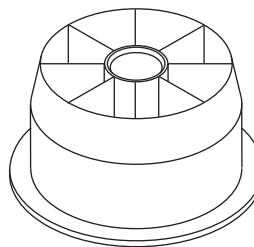
Centering Spring
Quantity 4



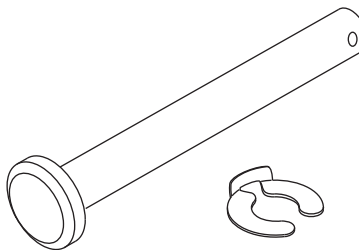
1/4-20 x 1/2" Machine Screw
Quantity 8



1/4-20 Locknut
Quantity 8



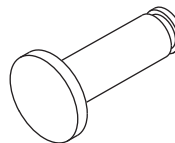
Nylon Floating Bearing
Quantity 4



Clevis Pin
5/16" x 2 1/32"
Quantity 2



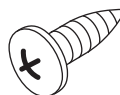
Retaining Ring
Quantity 2



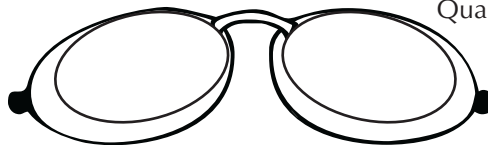
10mm Clevis Pin
Quantity 2



Bronze Bushing
Quantity 2



#10 x 1/2" Screw,
Quantity 4

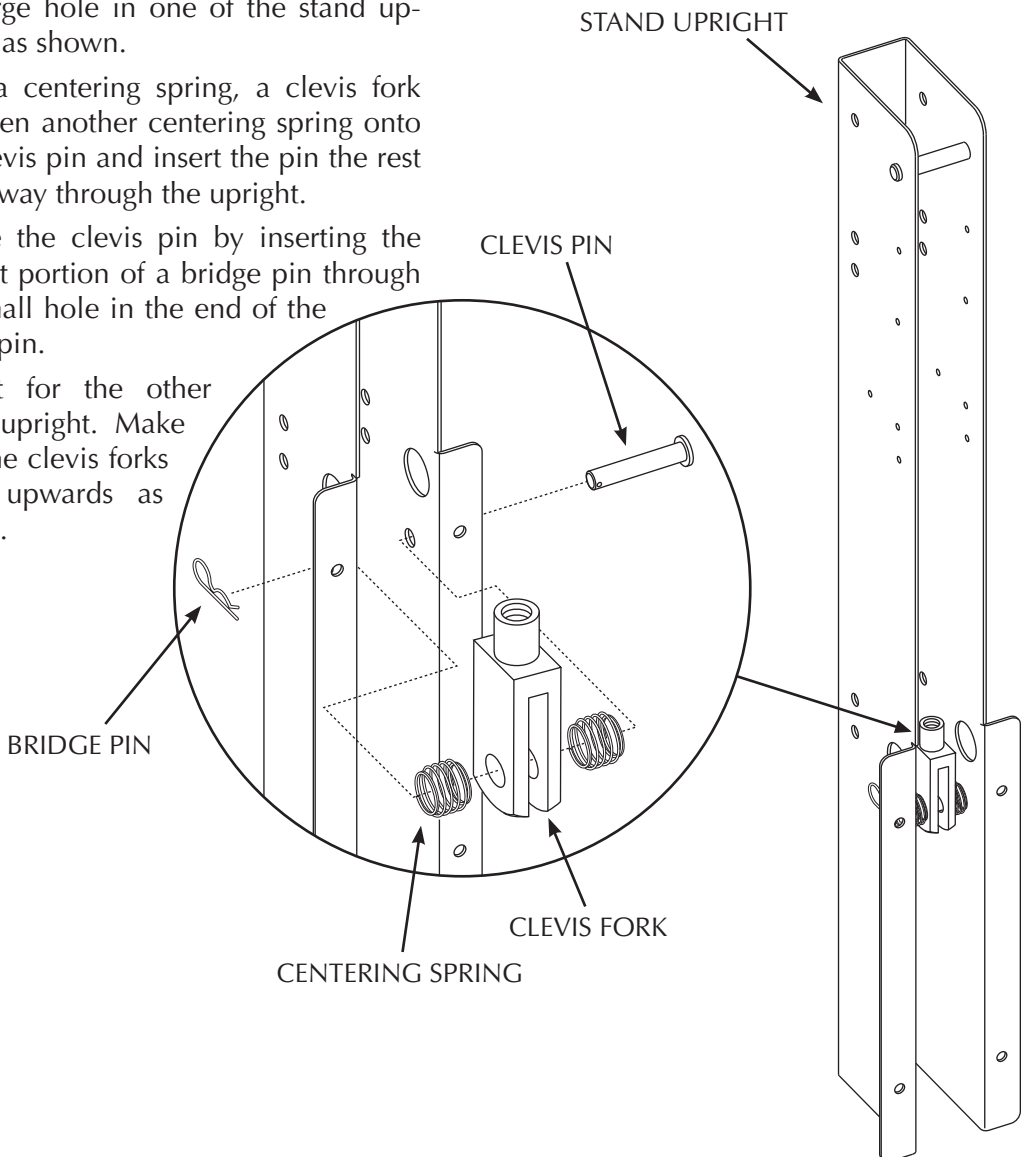


Safety Goggles
Quantity 1

Assembly Procedures

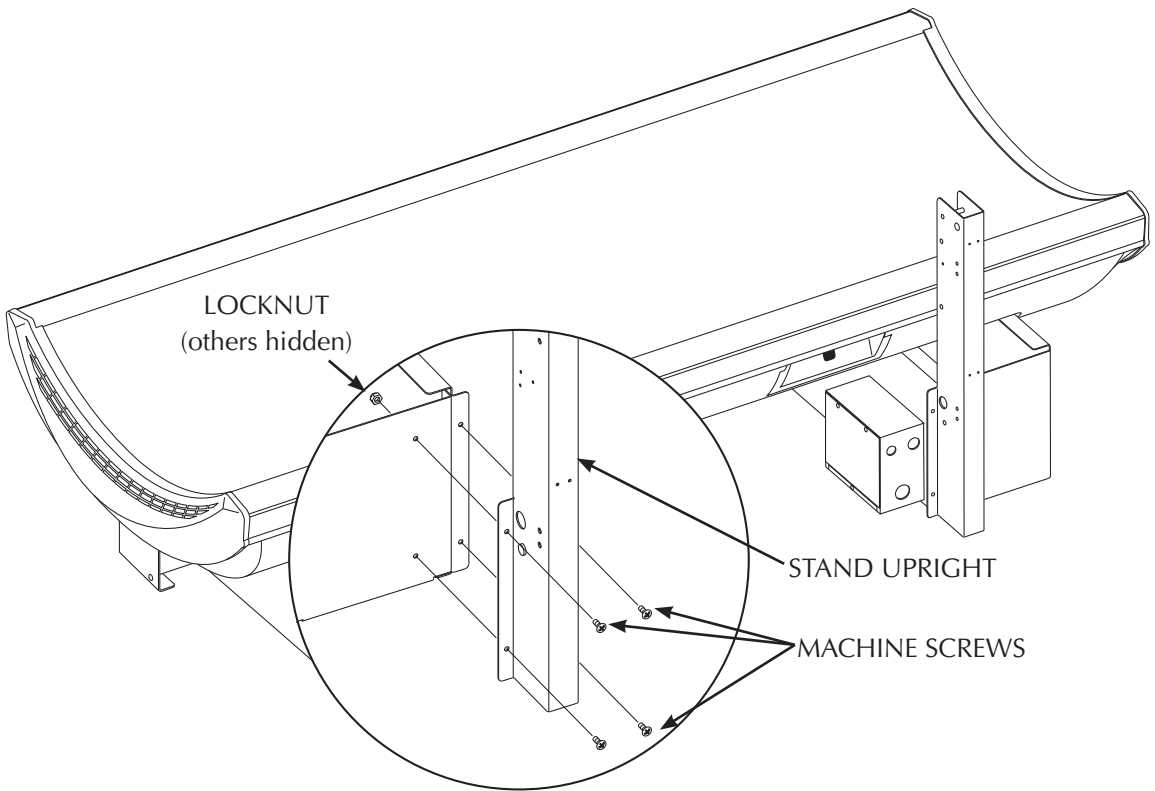
Lower Clevis Fork Assembly

1. Insert the larger clevis pin (3/8" x 2 1/64") through the hole directly below the large hole in one of the stand uprights, as shown.
2. Slide a centering spring, a clevis fork and then another centering spring onto the clevis pin and insert the pin the rest of the way through the upright.
3. Secure the clevis pin by inserting the straight portion of a bridge pin through the small hole in the end of the clevis pin.
4. Repeat for the other stand upright. Make sure the clevis forks point upwards as shown.



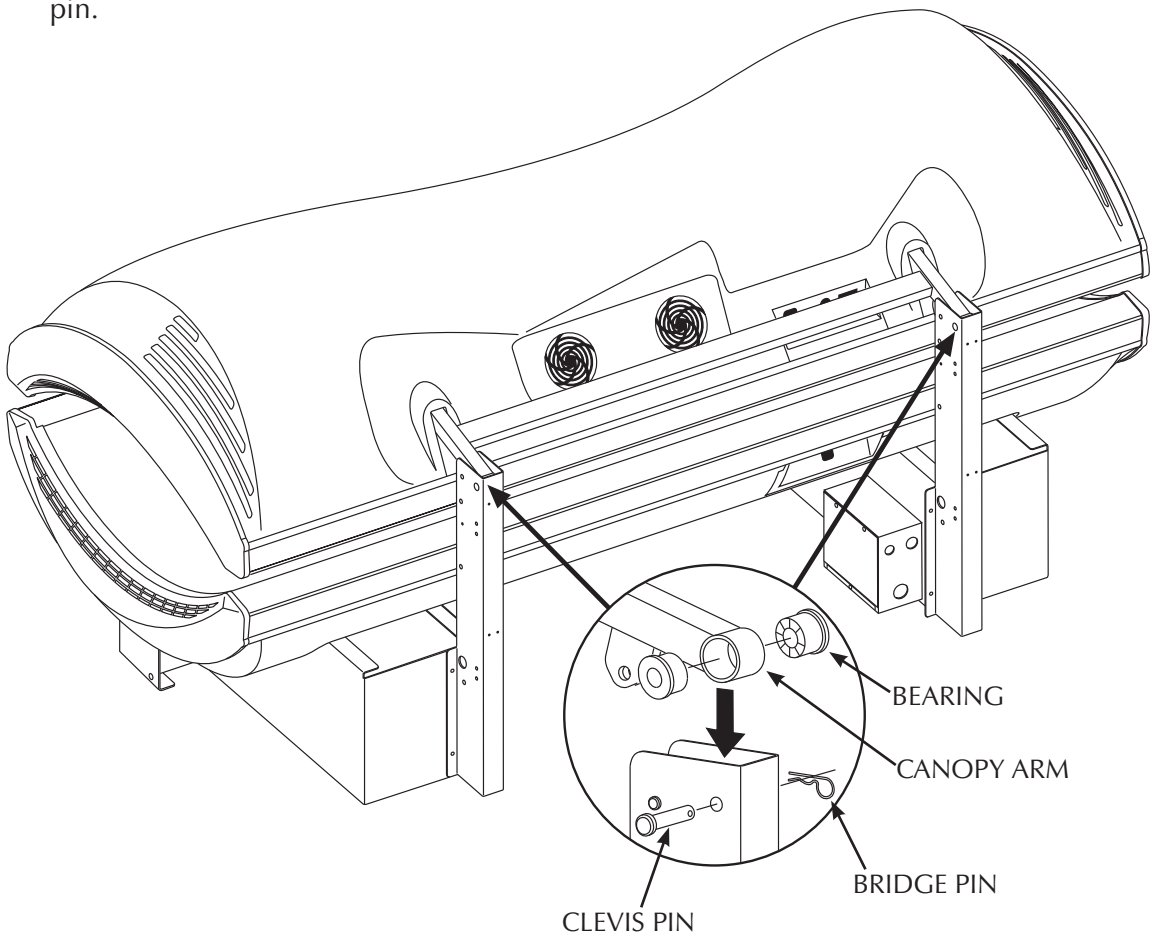
Stand Upright Assembly

1. Place the bench approximately where it will remain, leaving room to work behind it.
2. Make sure the clevis forks are pointed up and secure each stand upright to the rear of the bench pedestals using four 1/4-20 x 1/2" machine screws and four locknuts.



Canopy Installation

1. Place two nylon floating bearings into each canopy arm.
2. Holding the canopy over the bench, with the canopy arms inside the stand uprights, insert clevis pins (5/16" x 2 1/32") through the uprights and nylon floating bearings to attach the canopy.
3. Secure the clevis pins by inserting the straight portion of a bridge pin through the small hole in the end of the clevis pin.

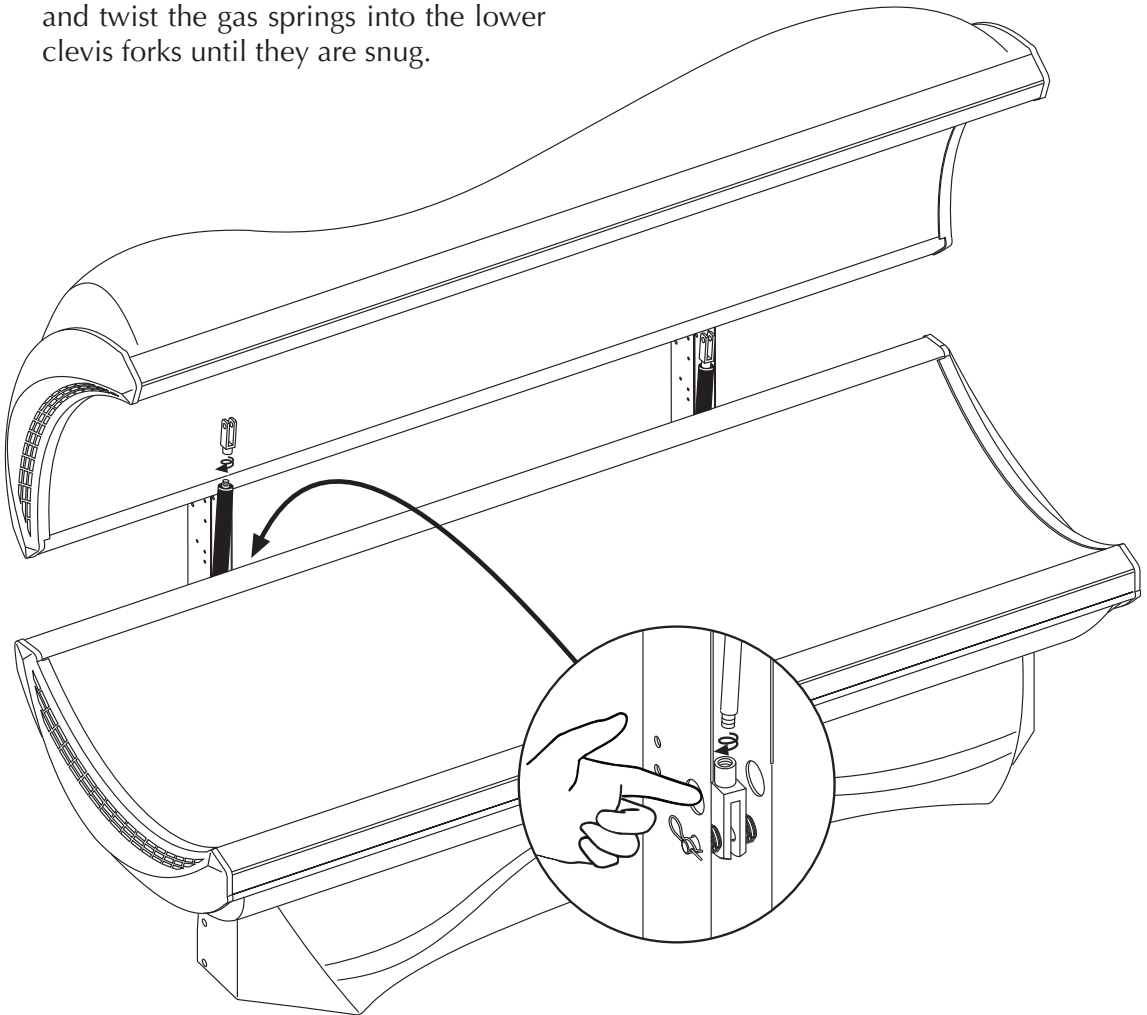


Install Gas Springs

1. Have a helper hold the canopy in its fully open position.
2. Make sure the threaded holes in the lower clevis forks face up (the large holes above the clevis forks allow finger access). Slide the gas springs down into the stand uprights, piston end up as shown, and twist the gas springs into the lower clevis forks until they are snug.

3. Screw the upper clevis forks onto the gas springs.

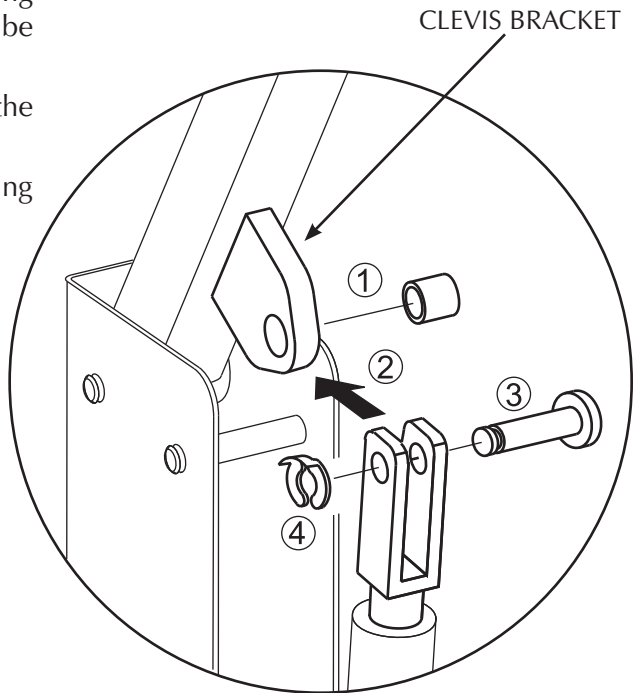
Do not lower the canopy yet!



Attach Gas Springs

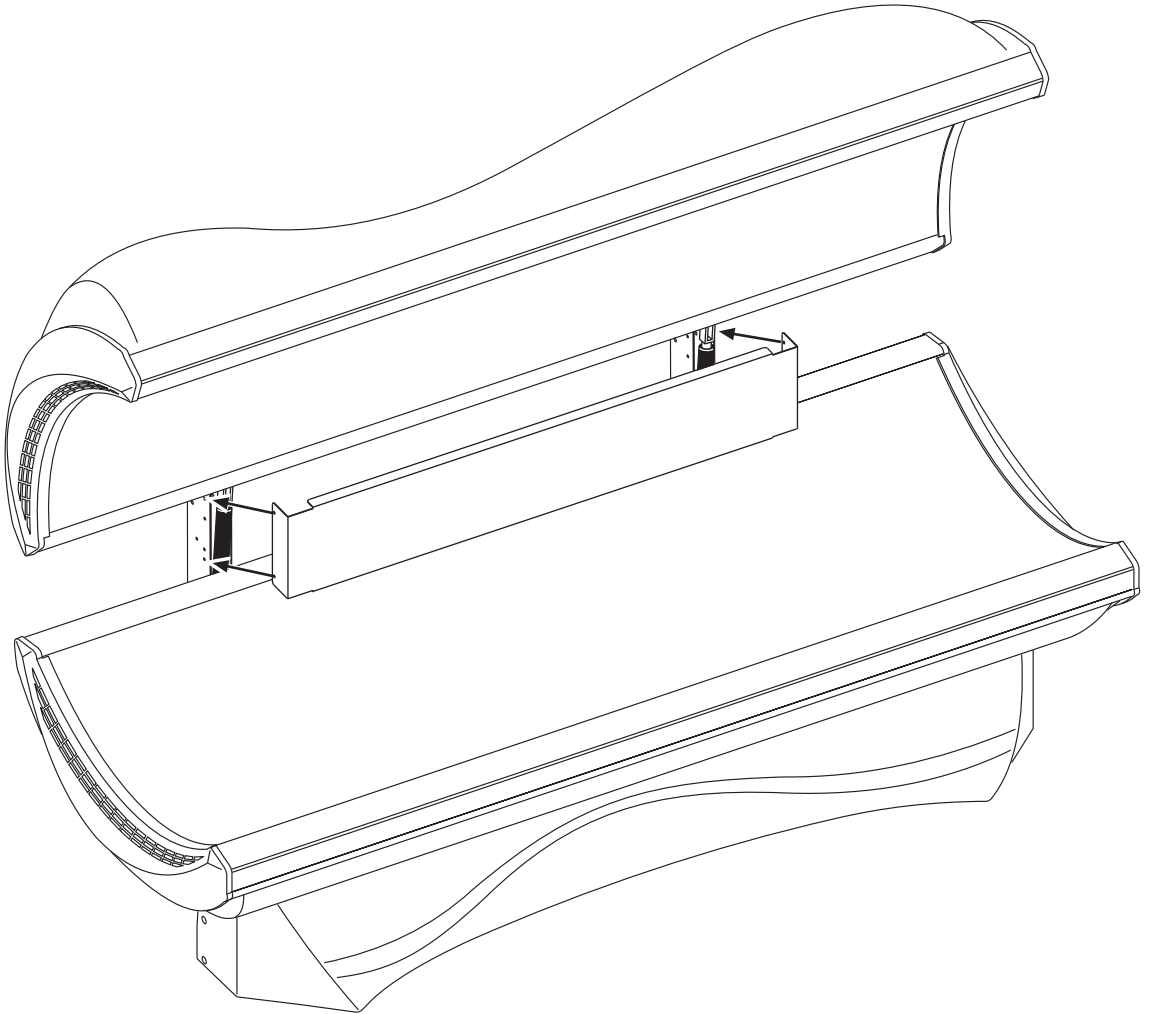
1. With the canopy still raised, slip the bronze bushings into the hole in the clevis brackets on the underside of the canopy arms.
2. Line up both clevis forks and carefully lower the canopy to engage the clevis forks. Pay special attention when lowering the canopy that the clevis forks do not damage the bronze bushings. Bronze is excellent for smooth pivoting applications such as this, but tends to be soft compared to the steel clevis fork.
3. Lock the clevis forks in place with the 10mm clevis pins.
4. Secure the clevis pins with the retaining rings.

NOTE: When this assembly is complete, lift and lower the canopy a few times to lubricate the gas springs for optimum performance.



Attach Cover Panels

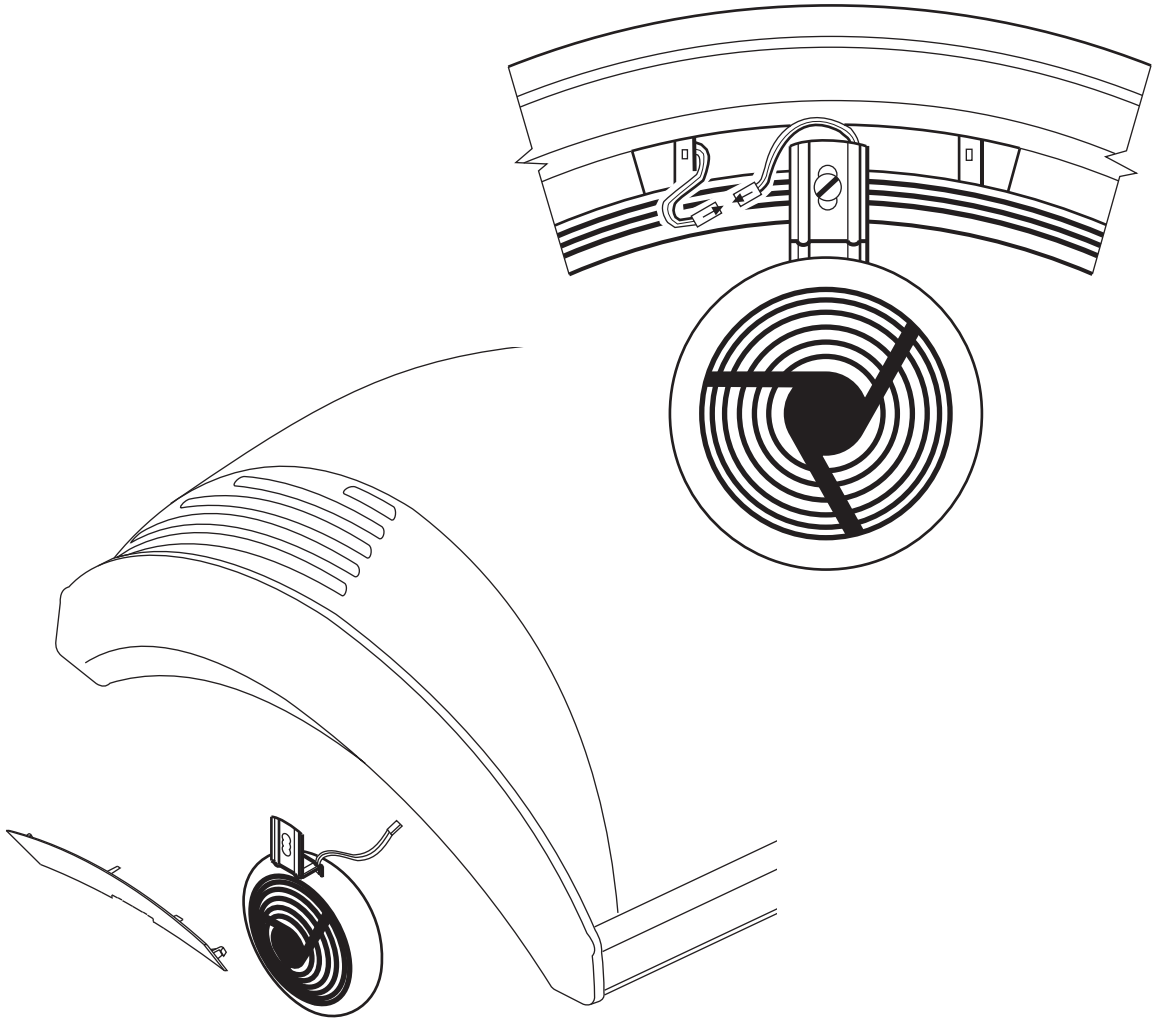
1. Put the gas spring cover panel in place and secure with two #10 x 1/2" screws in each end.



Body Fan Assembly

(body fan sold separately)

Your sunbed is designed to accept a body cooling fan on the canopy endcap at the foot end. Follow the instructions that come with the body fan for installation.

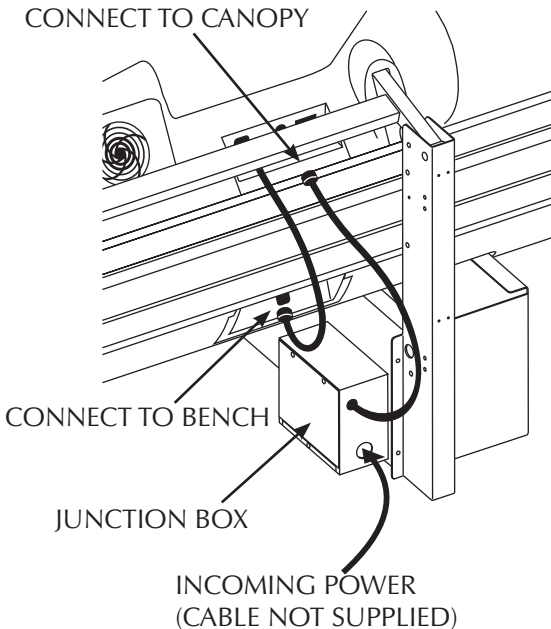


Electrical Connections

This unit must be hardwired directly to a junction box on a dedicated circuit. **ETS recommends connection by a professional electrician.**

On the back of the bed, at the base of the foot-end stand upright, is a power junction box (see below). Connect the cable coming out of the junction box to the receptacle on the canopy as shown. Connect the cable coming out of the canopy to the receptacle on the bench.

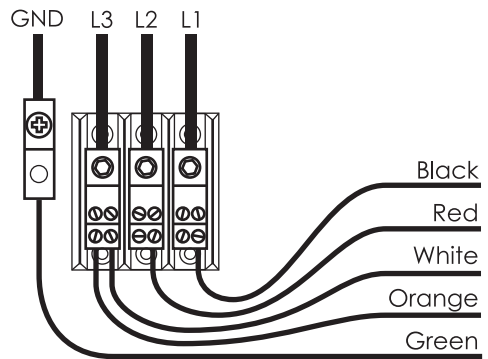
Now remove the 3 screws holding the cover plate on the junction box and remove the plate. Inside is a connection bus for power. You may wire the bed to either a 3-phase circuit (3 wire plus ground) or single-phase circuit (2 wire plus ground). Follow the diagram at right for connection instructions.



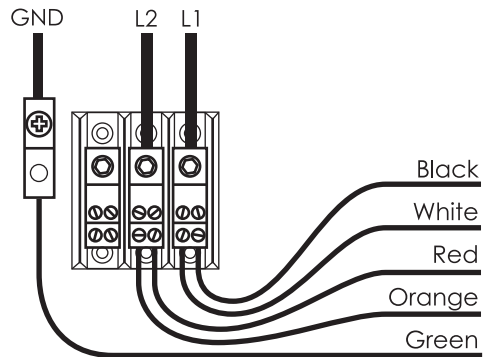
Your sunbed arrives from the factory wired for single-phase. To convert to 3-phase, simply disconnect the White and Orange wires from the terminal block and connect to L3.

No power cord is supplied. The conduit fitting hole is sized for a 1" fitting. Be sure to provide a proper strain relief for the incoming power line.

3-Phase Wiring



1-Phase Wiring



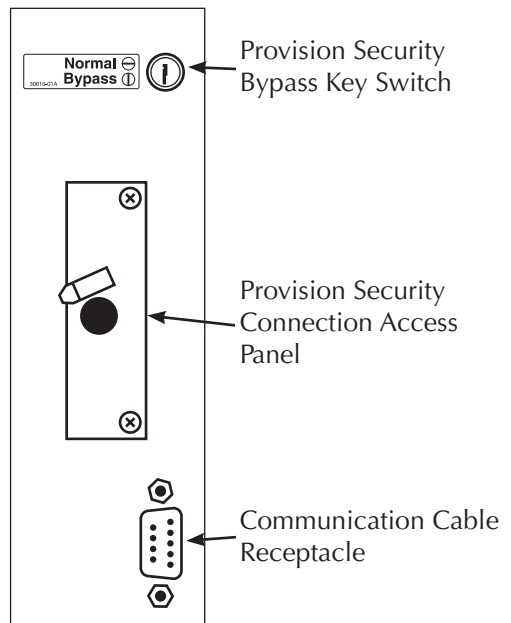
Connecting to Provision Security

This tanning bed comes equipped to connect directly to the Provision Security system utilized by Anytime Fitness locations. Follow the directions below to connect your bed to the system. When properly installed the monitoring system keeps track of each individual's tanning sessions and makes operation a breeze.

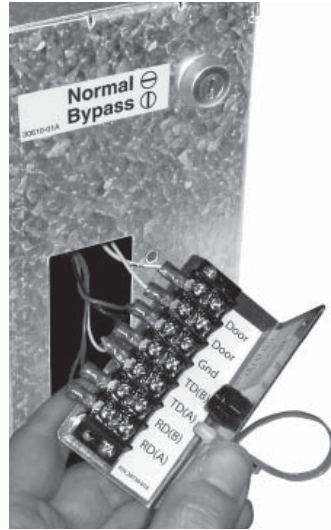
Contact Provision Security directly for the software and for any issues related to the security system. Call 866-315-0777 and ask for Technical Service.

1. On the back of the canopy is one more cable wrapped in a wire tie. Remove the wire tie and extend the cable to the slim metal box opposite the power box on the back of the bench. (see right)
2. This cable connects to the receptacle on the box by plugging the cable into the receptacle and then securing it with the (2) screws on either side of the plug.
3. Above this receptacle is a small access panel secured by two (2) screws. Remove the screws and carefully pull the panel from the box as shown on the next page.

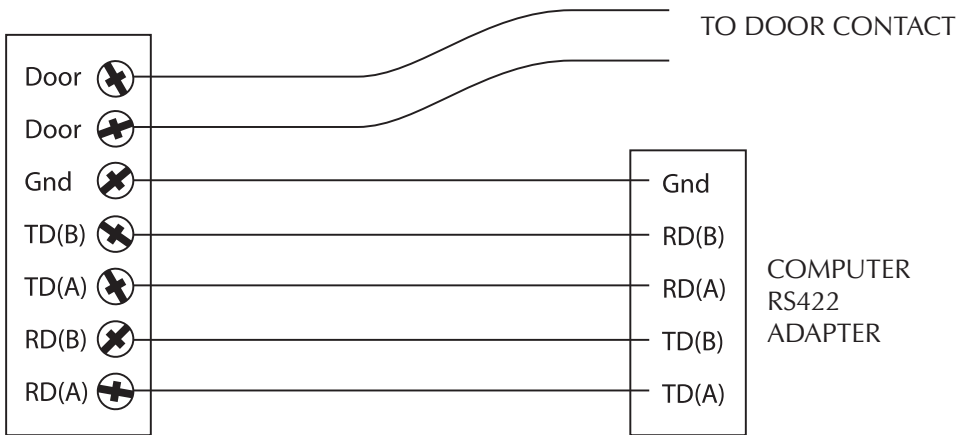
Provision Security Connection Box



4. This bracket holds a terminal strip to connect the bed to a computer and the door reader. Run the 5-conductor cable and the 2 wires from the door reader through the wire clamp and then the plastic grommet to connect to this terminal strip as illustrated below.
5. Pull the wire clamp tight to hold the cables and reinsert the access panel into the power bracket. Secure in place with the two (2) screws removed earlier.



When connected properly, your sunbed will only work when activated by a Proximity Key Ring Tag according to the usage rules setup in the Provision Security software. If at any time you need to bypass the Provision Security system, use the key provided to turn the bypass switch to the “Bypass” position. This will allow unrestricted usage of the tanning bed.



Run a 5-conductor cable from the computer RS422 adapter to the bed. Connect the wires as shown.

Two wires connect to the door contact.

Operation

Before You Tan

Before using your sunbed, please note the following important precautions.

- Your skin should be free of cosmetics, oils, or other body lotions prior to tanning except for those specifically made for use with tanning devices. However, do not remove natural body oils by bathing or showering immediately before tanning.
- Your hair should be free of gels, mousses, sprays, or other hair products prior to tanning. These products can cause damage to the sunbed acrylic. As an alternative, a shower cap or towel can be worn to keep treated hair away from the sunbed surfaces.
- This unit intended for individual use. Only one pair of eyewear is included.

WARNING

Wear protective eyewear.

Failure to may result in severe burns or longterm injury to the eyes.

Exposure Times

Follow the guidelines for skin type and exposure times as shown in the table below. Untanned persons should not tan on consecutive days during their first week of tanning. Never tan more than once a day. Tanning normally appears after the first few sessions and maximizes after approximately four weeks. Tan once or twice per week thereafter to maintain appearance. Persons already having a base tan may begin at advanced levels corresponding to the extent of their base tan.



DANGER

Shock hazard.

Do not operate this device near water or while you are wet.

DANGER

Some medication may increase your sensitivity to ultraviolet light. It is recommended that you consult a physician before using this sunbed if taking any medication or if you suspect that your skin might be especially sensitive to sunlight.

RECOMMENDED EXPOSURE TIMES IN MINUTES

MAXIMUM EXPOSURE TIME IS 20 MINUTES

Skin Type:		Level 1/Week 1	Level 2	Level 3	Level 4	Level 5
		1st-3rd Sessions				
I Sensitive Skin	(Burns easily and severely and does not tan.)	NOT RECOMMENDED FOR TANNING				
II Light	(Burns easily and severely and tans minimally.)	4	8	12	16	20
III Normal	(Burns moderately and tans average.)	6	10	15	20	20
IV Dark	(Burns minimally, tans easily and above average.)	8	12	16	20	20

Using Your Sunbed



A



B



C



D



E



F



G

The Keypad

- A Face tanner control** - Turns face tanners on and off during use. **Note:** Face tanners need a minute to cool down before relighting. (Units equipped with face tanner only)
- B Body tanner control** - Turns body lamps on and off during use. (Units equipped with face tanner only)
- C Body fan control** - Controls the speed of the body fan during use.
- D Body fan speed indicator** - Indicates speed of fan. (OFF - LOW - MED - HI)
- E Timer display** - Displays remaining time.
- F Stop button** - Interrupts tanning session.
- G Timer button** - Turns bed on. Timer display shows remaining time. If a lesser time is desired, press timer button until desired time is displayed.

The Tanning Session

1. Swipe your proximity key ring tag over the RF reader on the canopy to activate a session. The LED indicator on the reader will briefly flash green to signify the session has started.
2. Put on your safety goggles.
3. Lift the canopy, lie down on the bench (face up) and lower the canopy toward your body. See Safety Information for positioning instructions.
4. Press the green timer button (G). The lamps will turn on and the timer will begin to count down from the maximum tanning session time. If a tanning time less than the displayed time is desired, repeatedly press the timer button (G) to decrease the remaining time.
5. When the timer reaches 0 the lamps turn off. If you want to stop your session before time expires, press the stop button (F).
6. Raise the canopy by using the outer edge of the canopy. Do not push up on the acrylic shield as it may crack. The cooling fans run for a period of time after the lamps shut off to cool the sunbed.

Care and Maintenance

Cleaning After Use

Clean and disinfect your tanning bed's bench and canopy after each use. Use a non-abrasive disinfectant cleaner that does not contain ammonia or ammonia derivatives. Ammonia may damage the acrylic shield. Spray the acrylic lightly with disinfectant and wipe dry with a clean soft cloth. We recommend Australian Gold® pH Neutral Disinfectant Cleaner.

Thorough Periodic Cleaning

The cooling fans draw air through the bed and over time will cause a dust buildup on the lamps and reflectors. This will reduce the tanning effectiveness of the bed. When a dust buildup is observed, it is necessary to thoroughly clean the inside of the bench and canopy.

Cleaning the Canopy and Bench

1. Open the acrylics and remove lamps as described on the next page.
2. With a soft cloth, wipe the entire length of each lamp to remove any film buildup.
3. Clean both sides of the acrylics with a non-ammonia disinfectant cleaner.
4. Wipe the reflectors with a clean damp cloth.
5. Reinstall the lamps and acrylics.
6. Use a vacuum cleaner to clean all fan openings.

Mechanical Inspection

Your tanning bed has been built for years of service. To ensure trouble-free operation throughout its life, inspect the unit's mechanical integrity every 400-500 hours of use.

- Inspect the unit's fasteners verifying that all are firmly in place.
- Inspect gas springs for signs of wear. Gas springs that will not hold the canopy in the full open position when raised should be immediately replaced. See Troubleshooting.
- Inspect all wiring connections. Contact a servicer if any connections seem loose.
- Inspect the acrylic. Broken, cracked or badly scratched acrylics should be immediately replaced.



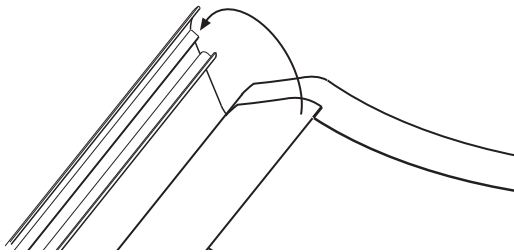
Lamp and Acrylic Replacement

Removing/Replacing Acrylic Shield

The acrylic shield in the bench and canopy are secured in place by hinged profiles which run the length of the bed, both front and back. Simply pry up on the inside edge of the profile, starting at the center of the bed, until it releases its latching action (see figure below). Continue to pry up the profile across its entire length until it swings back freely. Repeat for the other profile. The long edges of the acrylic shields are now exposed.

Standing at the front of the unit, lift the exposed edge of the acrylic slightly and carefully begin sliding it toward you until it is removed from the sunbed. This might be easier with the help of another person.

Replace the acrylic shield by carefully aligning it with the channels on the ends of the sunbed and sliding it into place. Close the hinged profile by pushing it back into place until it snaps tight.



⚠ CAUTION

Be careful. The edges of the acrylic shield may be sharp.



Removing / Replacing Fluorescent Lamps

1. Grasp the lamp at one end and at the middle and turn the lamp one quarter turn. Gently remove the lamp from its holders.
2. Reinstall the lamp by inserting the pins located on the ends of the lamp into the slots on top of the lamp holders and turn the lamp a quarter turn. It should click into place.

Replacement Lamps

To be assured of maximum tanning effectiveness, change lamps after approximately 500-700 hours of use. Lamps used longer than that begin to lose their tanning effectiveness even though they continue to light.

We recommend using the lamps specified below. Use of uncertified lamps is a violation of Federal regulations and will void your warranty.

The following lamps have been certified for use in your tanning bed:

Velocity® Model VEL 71-T12-100W

Velocity® Select Model

VS 71-T12-100W Bi-Pin

Heraeus E400 HPT, Philips Model HPA 400/30s or CosmoTech Model 23045

(SolarMax™ IFT facial unit , if equipped)

Removing/Replacing Face Tanner Lamps (if equipped)

After removing the canopy acrylic shield, replace the face tanner lamp as follows:

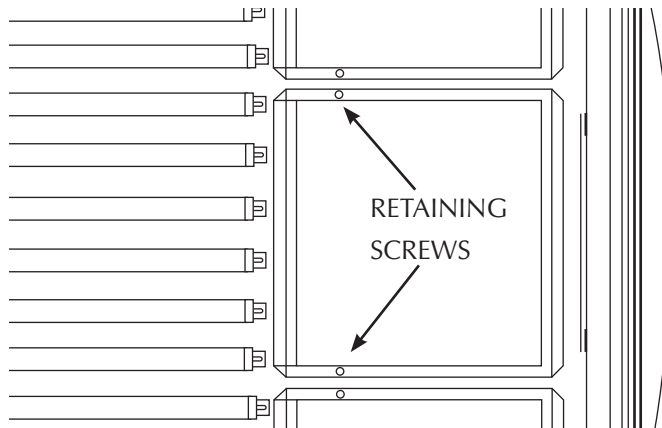
1. Support the face tanner assembly with your hand while unscrewing the two retaining screws. The face tanner glass casing will swing downward.
2. The lamp can now be exchanged. The lamp holders are equipped with spring contacts which enable the lamp to be removed easily. Remove the old lamp and discard. Install the new lamp, using a clean cloth or paper towel. Ensure that the lamp is firmly seated in the lamp holders.
Note! Never take hold of the lamp such that your fingers are in contact with the lamp glass. Finger oils will greatly reduce the lamp's operational life.
3. Gently close the face tanner glass casing and lock it closed with the screws. Ensure that the screws firmly secure the glass casing.

DANGER

Unfiltered light from face tanner can cause severe burns.

Never turn sunbed on while face tanner is disassembled or when glass filters are removed.

Immediately discontinue use of this equipment if face tanner glass is broken or any unfiltered light can be seen escaping face tanner assembly.



ISSUE	RESOLUTION
Sunbed not tanning	<ol style="list-style-type: none"> 1. Clean sunbed, see Thorough Periodic Cleaning. 2. Ensure supply voltage is between 200 and 245V AC. 3. Replace lamps if lamp hours are greater than 700hrs. 4. Replace acrylic.
Lamps fail to light and timer display is blank	<ol style="list-style-type: none"> 1. Make sure the unit is connected to a power source. 2. Check source of AC power. Reset circuit breaker or replace fuse.
One or more lamps fail to light	<ol style="list-style-type: none"> 1. Check that lamp is installed correctly. 2. Switch unlit lamp with a lamp that lights, if new lamp lights and old lamp still does not, replace old lamp.
The face tanners will not come on	<ol style="list-style-type: none"> 1. Face tanners will not relight for 1 minute if turned off. 2. Replace face tanner lamp, see Removing/Replacing Face Tanner Lamp.
The canopy will not stay up	<p>NOTE: Gas springs are manufactured to hold the canopy in its fully open position as well as allow it to rest fully closed. If left open for an extended period of time some creep down may occur. This is considered normal. Keep the unit closed when not in use. If the canopy will not stay fully open when raised...</p> <ol style="list-style-type: none"> 1. Raise and lower the canopy a few times to lubricate gas spring internal seals. 2. Replace gas springs.
The last minute of tanning time does not count down from 59 seconds, but some time less than 59 seconds	<p>If the timer button has been pressed to decrease tanning time during the session, the time expired in the current minute is subtracted from the last minute.</p>

ISSUE	RESOLUTION
Timer display is indicating Er 91	Timer software error. Disconnect and reapply power to the unit.
Timer display is indicating Er 92	Current sensor indicating unit is off when it should be on. Contact servicer.
Timer display is indicating Er 93	Current sensor indicating unit is on when it should be off. Contact servicer.
Timer display is indicating Er 94	Requested session time exceeds maximum time allowed.
When the proximity key ring tag is swiped the bed does not turn on and display shows "0"	<ol style="list-style-type: none"> 1. Press the green timer button to turn on the bed. 2. User not signed up for tanning. 3. Not enough time has elapsed between sessions. 4. Make sure the door is closed. 5. Check for loose connections between the computer and the bed as well as from the door to the bed.
My tanning session ended too quickly	<ol style="list-style-type: none"> 1. Make sure the door is closed. If the door opens at any time during a session the bed shuts down. 2. Check for loose connections between the door and the bed.

If you did not find the solution to your problem, contact the ETS Technical Service Department at 1-877-507-2582 for additional assistance.

THIS PAGE INTENTIONALLY LEFT BLANK

What to do	WHEN			
	After each use	Monthly	400-500hrs	700-1000hrs
A. Clean/Disinfect Interior Surfaces*	✓			
B. Clean Lamps*		✓		
C. Clean Reflectors*		✓		
D. Clean Exterior		✓		
E. Check/Clean Fan†		✓		
F. Change Lamps**				✓
H. Check Fasteners (nuts, bolts, etc.)*			✓	
I. Check Power Cords*			✓	

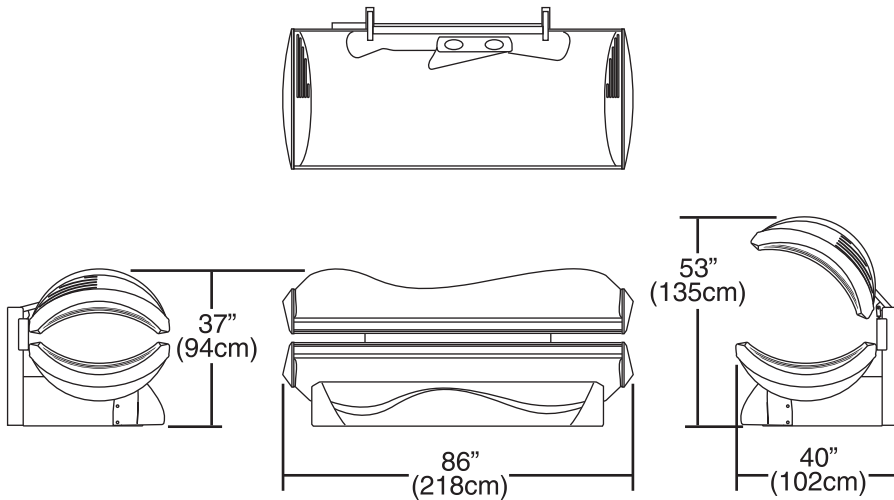
* See Care and Maintenance

** See Lamp and Acrylic Replacement

† Fans are located at the back of the canopy and under the bench. Use a vacuum to clean.

MAINTENANCE LOG					
What	When	What	When	What	When
example: B C D E	2/16/2011				

30596-03A



Weight no-face (approximate) ... 338lbs (154kg)
 Weight 3-face (approximate) 345lbs (157kg)
 Room Size 9' (2.7m) x 7' (2.4m)
 Voltage 220 VAC
 Amperage (**no-face**) 1Phase (P) - 15A
 3P - 8A
 Circuit Breaker (recommended) 1P - 20A
 3P - 20A

Main Lamps..... 32 x 100W
 Face Tanner Lamps (if equipped)..... 3 x 400W
 Body Cooling (optional)..... 230cfm Foot Fan
 Main Timer System Digital
 Back-up Timer Secondary Solid-state
 Max. Exposure Time 20 minutes
 Remote Capability Provision Security only

Amperage (**3-face**) 1P - 20A
 3P - 12A
 Circuit Breaker (recommended) 1P - 30A
 3P - 20A
 Outlet..... Hardwire only

Record this information for ease of service:
Date of purchase: _____
Serial number: _____
Model number: _____

ets tan
 your partner in tanning™

**Proudly manufactured
 in the U.S.A.**

1•800•449•3605

7445 Company Drive, Indianapolis, IN 46237-9296

In Canada call 1-800-661-6292 or 519-421-1212