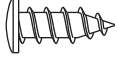


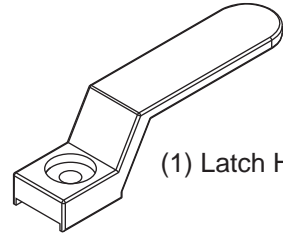
Dressing Room Assembly Instructions

Hardware checklist:

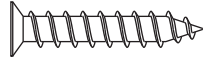
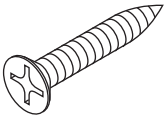
Please make sure you have the following hardware items before assembling your dressing room.



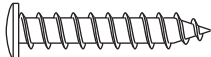
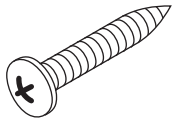
(52) #10 x 1/2" Phillips screw



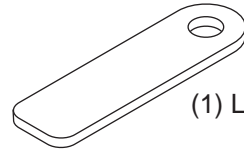
(1) Latch Handle



(34) #10 x 1" Phillips flat-head screw



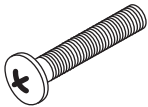
(14) #10 x 1" Phillips pan-head screw



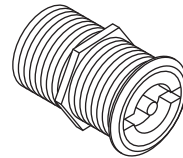
(1) Latch



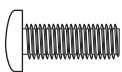
(4) #8-32 x 3/8" Phillips screw



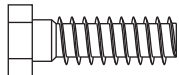
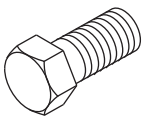
(6) #8-32 x 3/4" Phillips screw



(1) Latch Body



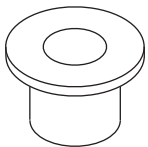
(6) #10-32 x 1/2" Phillips screw



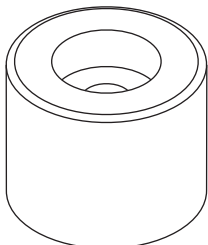
(12) 1/4-20 x 3/4" Hex-head bolt



(26) 1/4-20 Lock nut



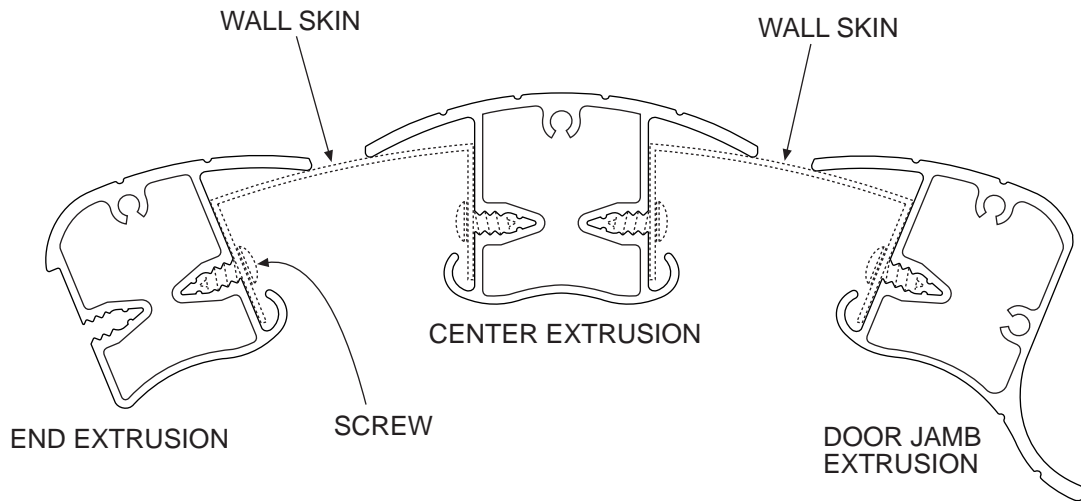
(2) Hinge bushing



(6) Rubber foot

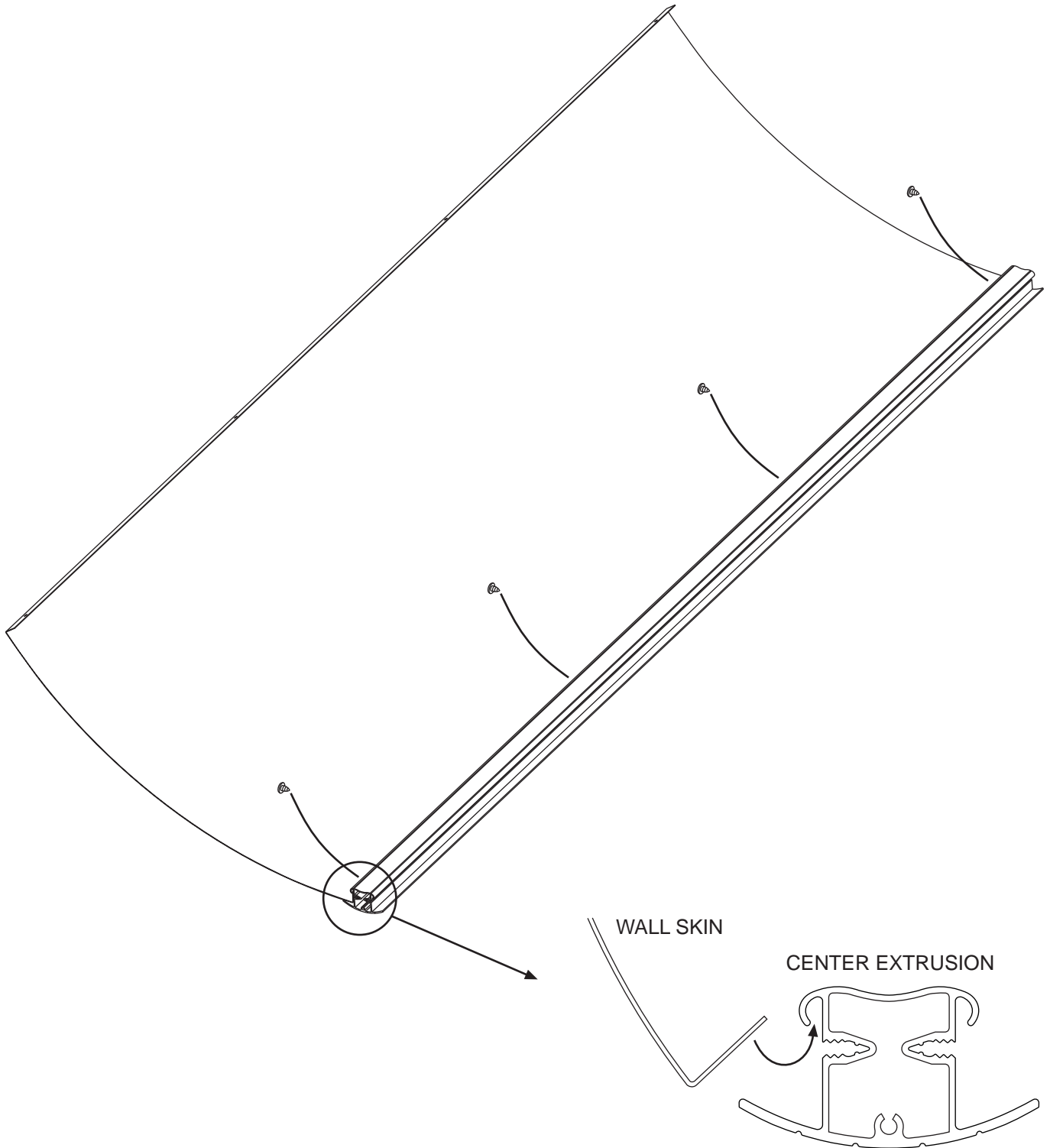
Explanation of the extrusions:

Included in the dressing room are eight long, aluminum extrusions that serve as the “skeleton” of the unit. Looking at the ends of the extrusions you will notice three different profiles (below). Familiarize yourself with the three different extrusions as they will be called for by name during assembly.



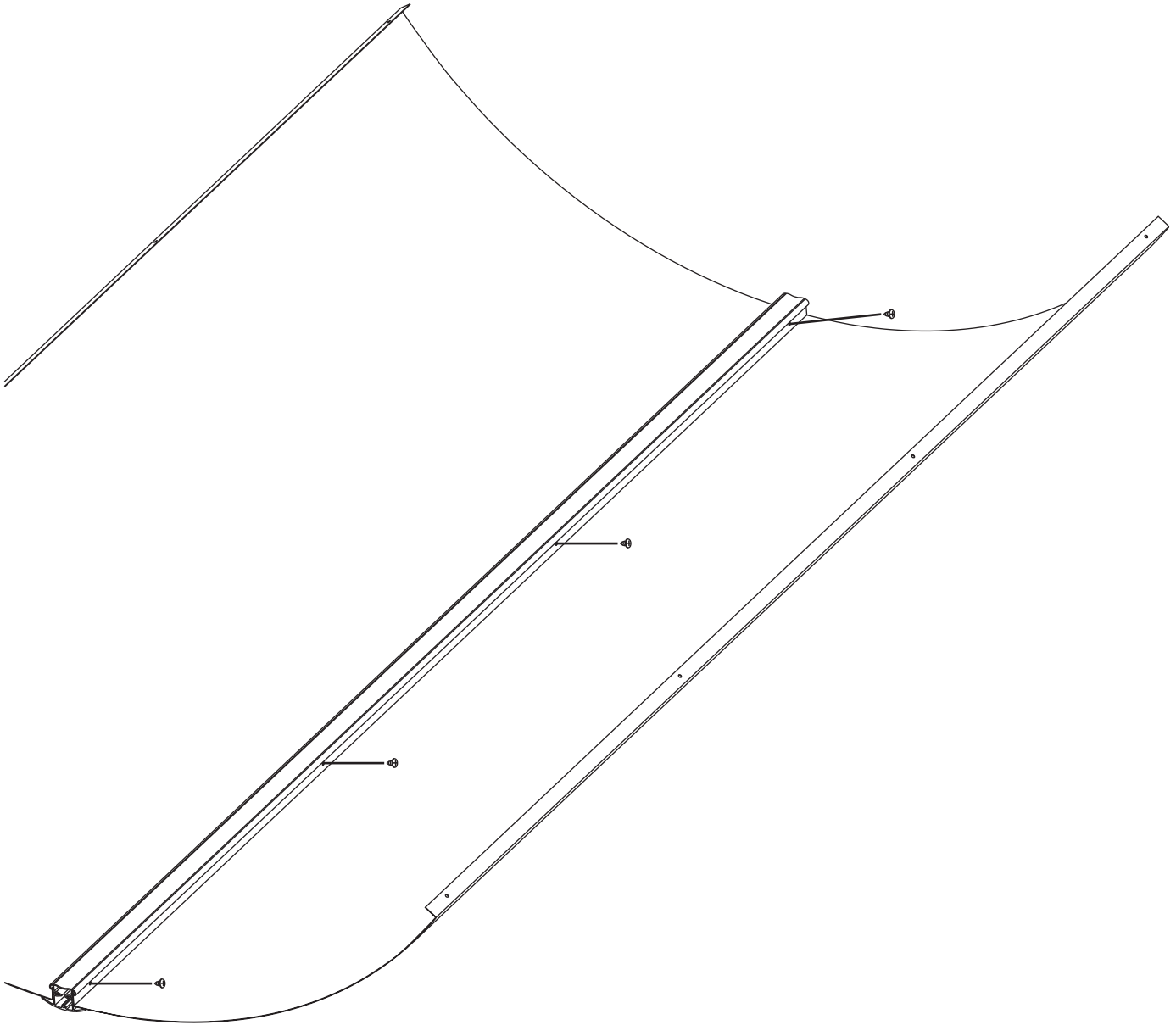
Assemble the right wall:

Lay the center extrusion on the floor. Attach a wall skin to the extrusion with four #10 x 1/2" screws, making sure the extrusion and wall skin are even at the top and bottom. See the detail below for proper installation of the wall skin.



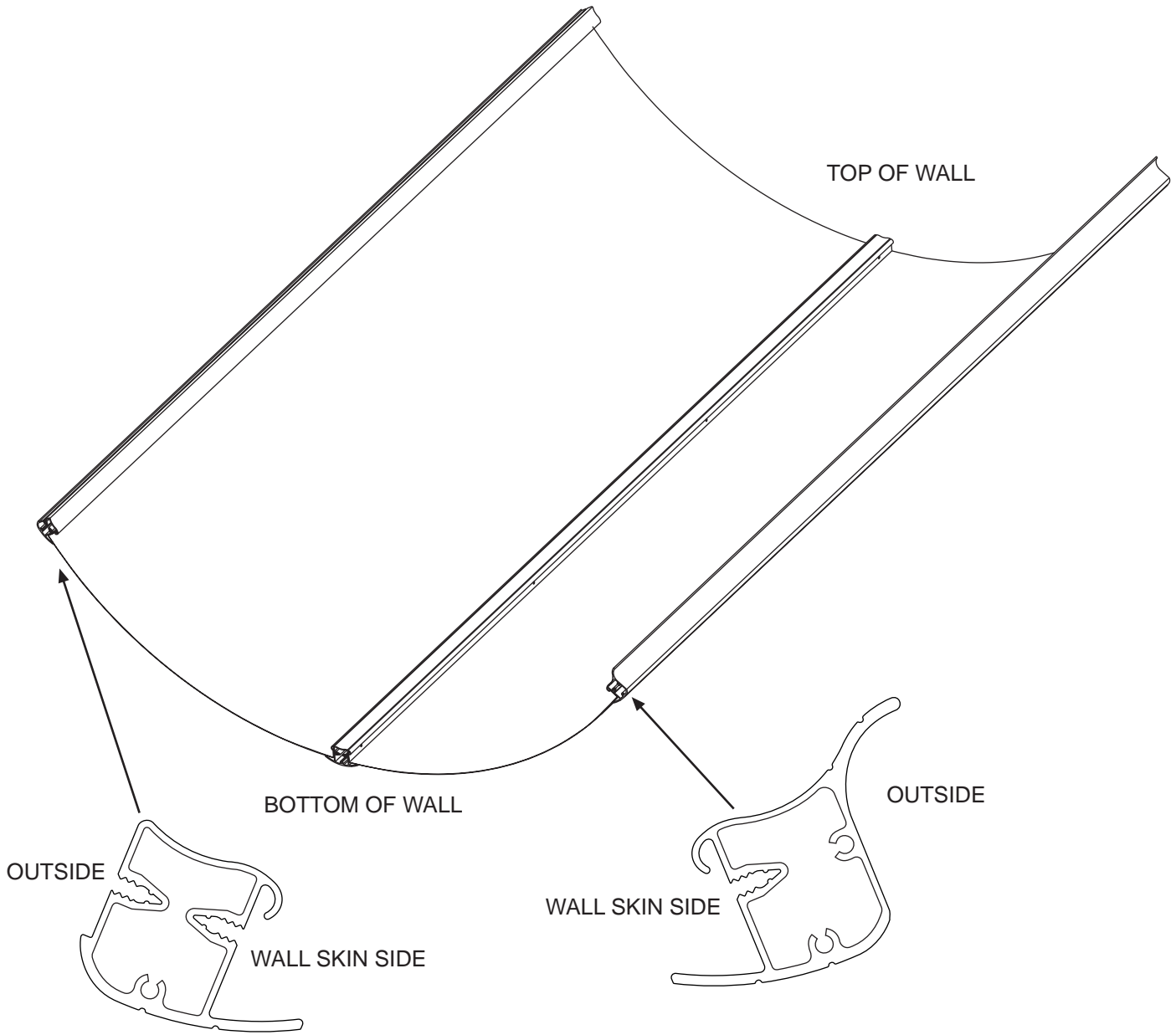
Assemble the right wall:

Attach a second wall skin to the extrusion with four #10 x 1/2" screws, again making sure the extrusion and wall skin are even at the top and bottom.



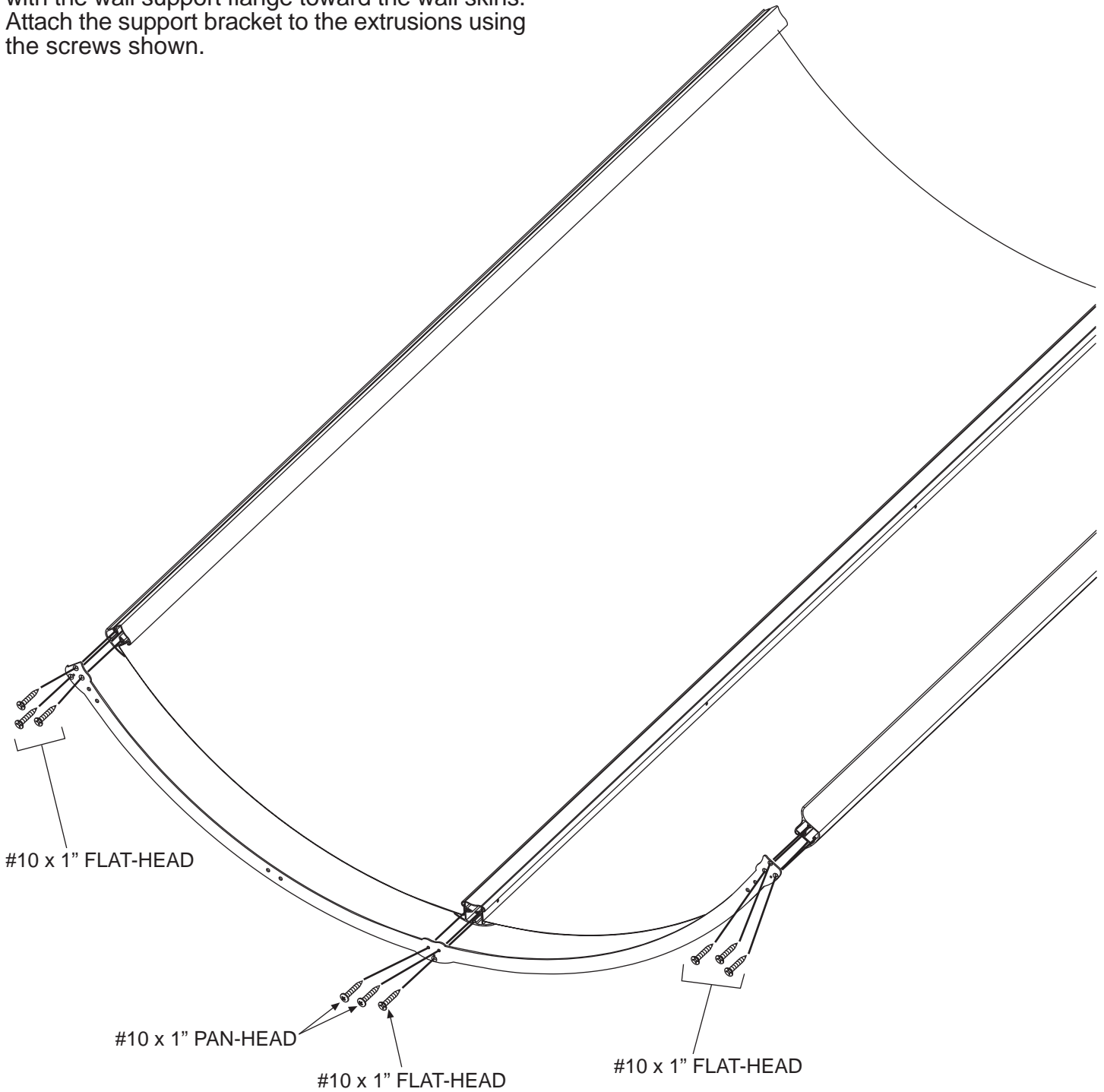
Assemble the right wall:

Attach the end extrusion and door jamb extrusion to the wall skins with four #10 x 1/2" screws each. See below for proper positioning.



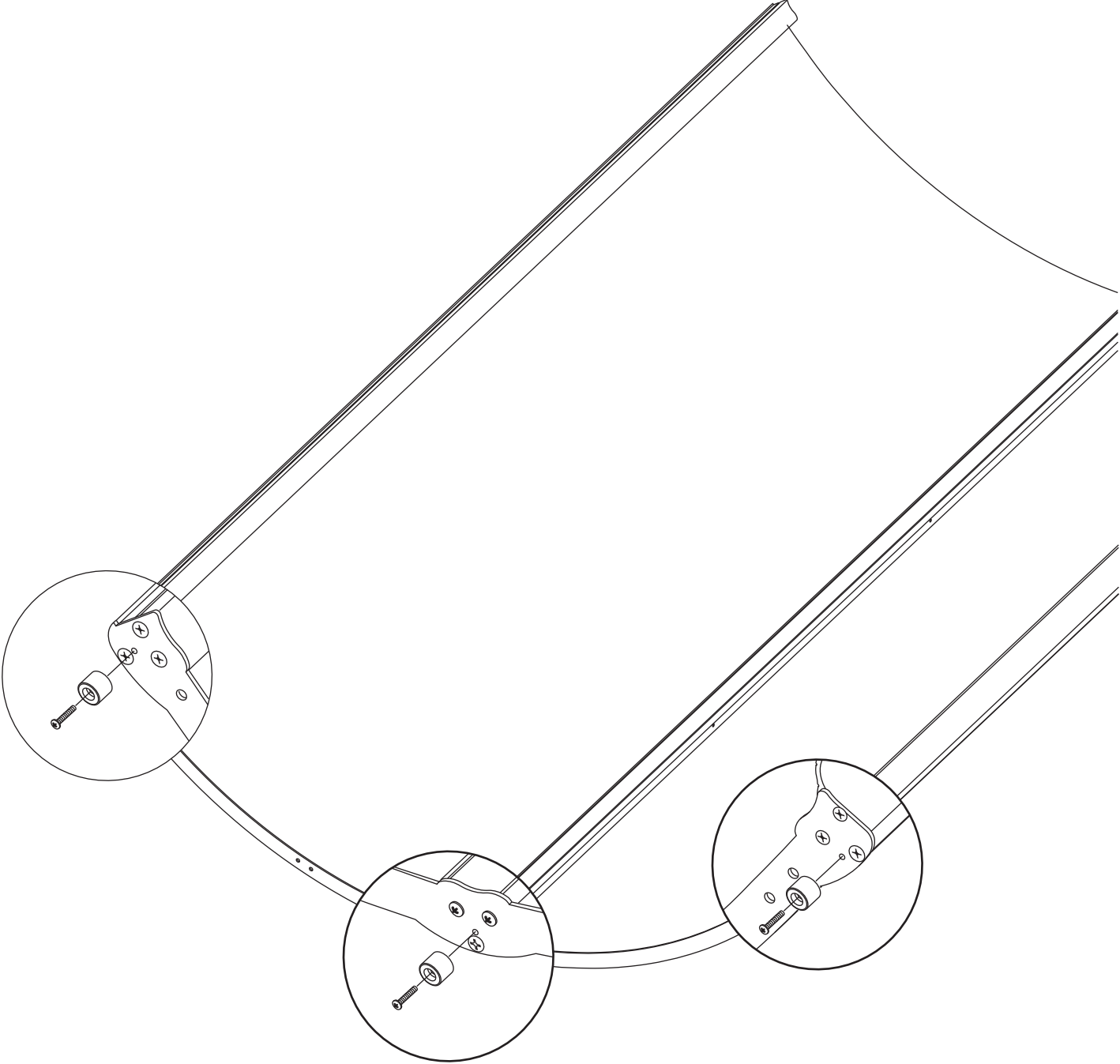
Assemble the right wall:

Find the wall support bracket labelled "Bottom A". Be sure to orient the support bracket as shown, with the wall support flange toward the wall skins. Attach the support bracket to the extrusions using the screws shown.



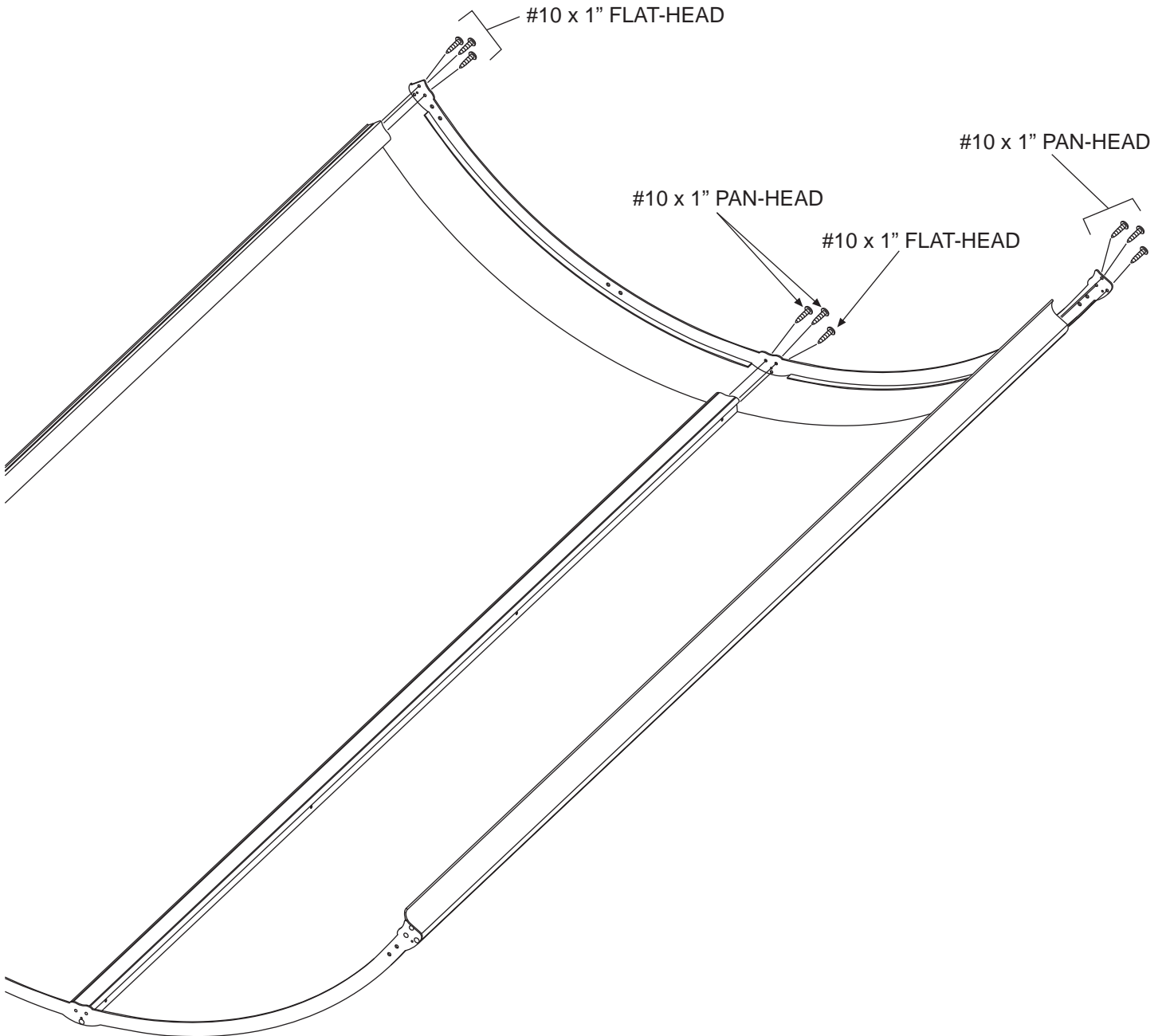
Assemble the right wall:

Fasten three rubber feet to the bottom of the wall with #8-32 x 3/4" screws.



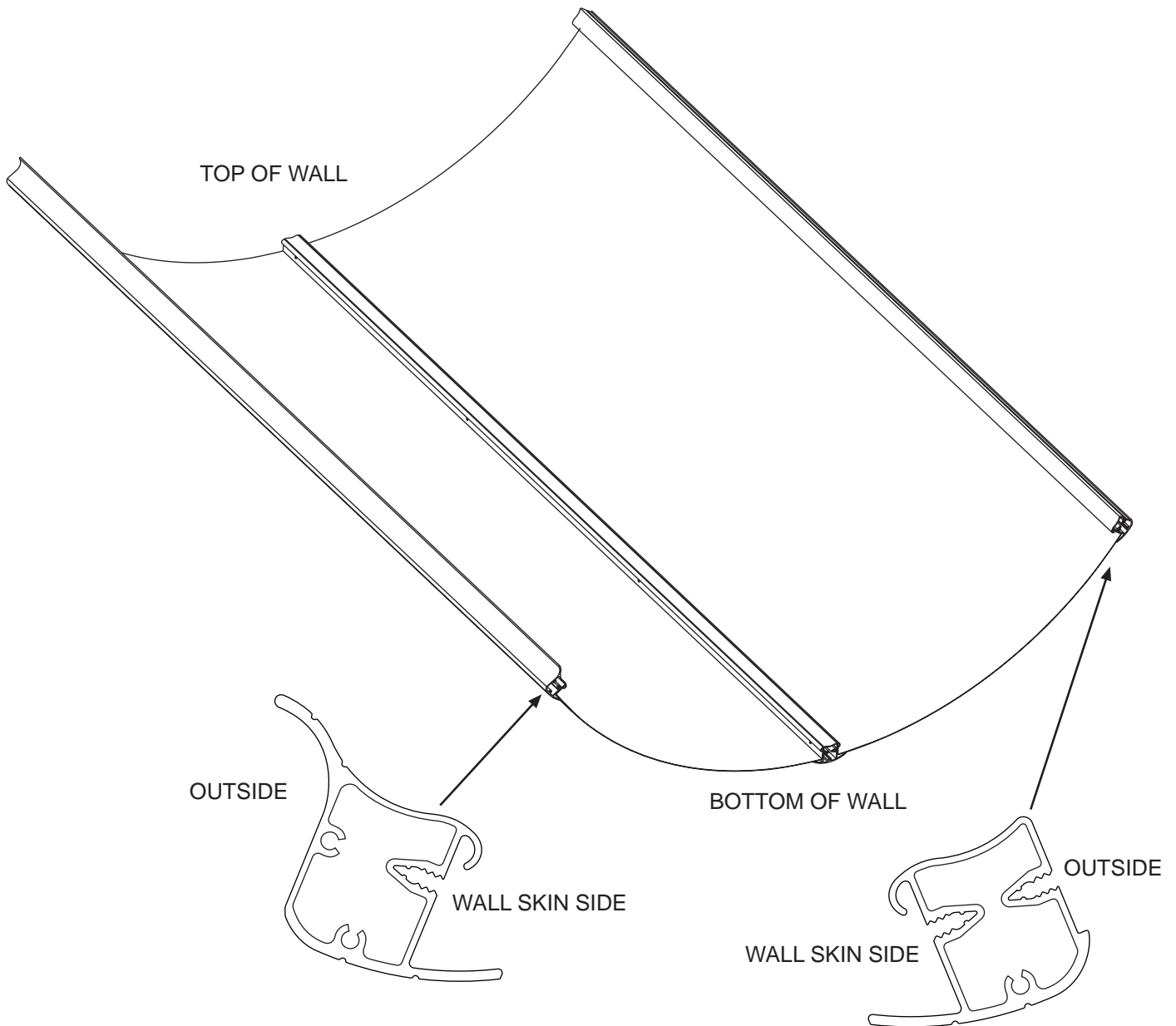
Assemble the right wall:

Find the wall support bracket marked "Top A".
Attach the support bracket to the extrusions. Again,
use the screws shown and orient the wall support
flange toward the wall skins.



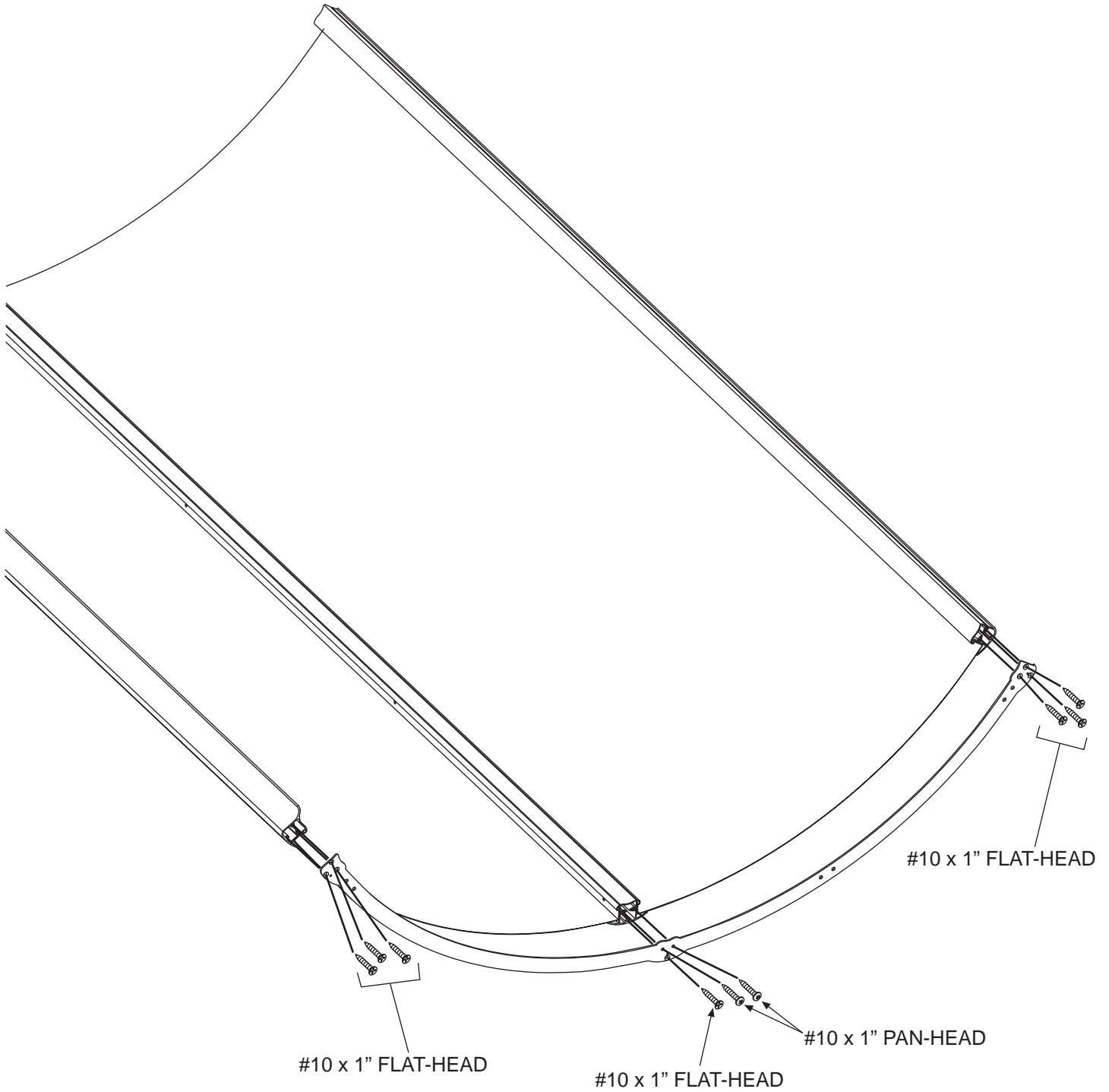
Assemble the left wall:

Assemble the two wall skins to the center extrusion with four #10 x 1/2" screws each. Attach the end extrusion and door jamb extrusions to the wall skins with four #10 x 1/2" screws each. See below for proper positioning.



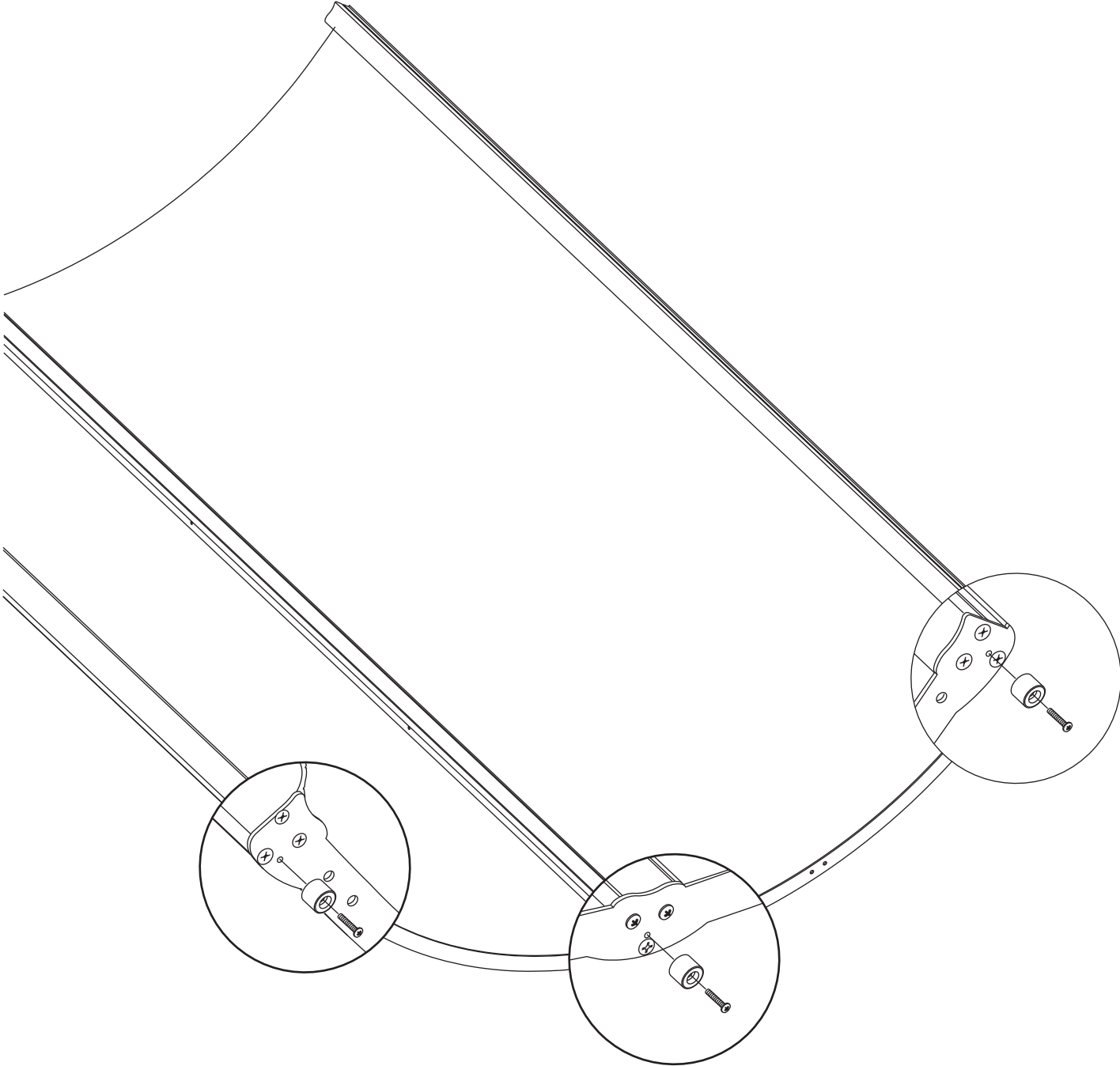
Assemble the left wall:

Position the "Bottom B" wall support bracket as shown, with the wall support flange toward the wall skins. Attach the support bracket to the extrusions using the screws shown.



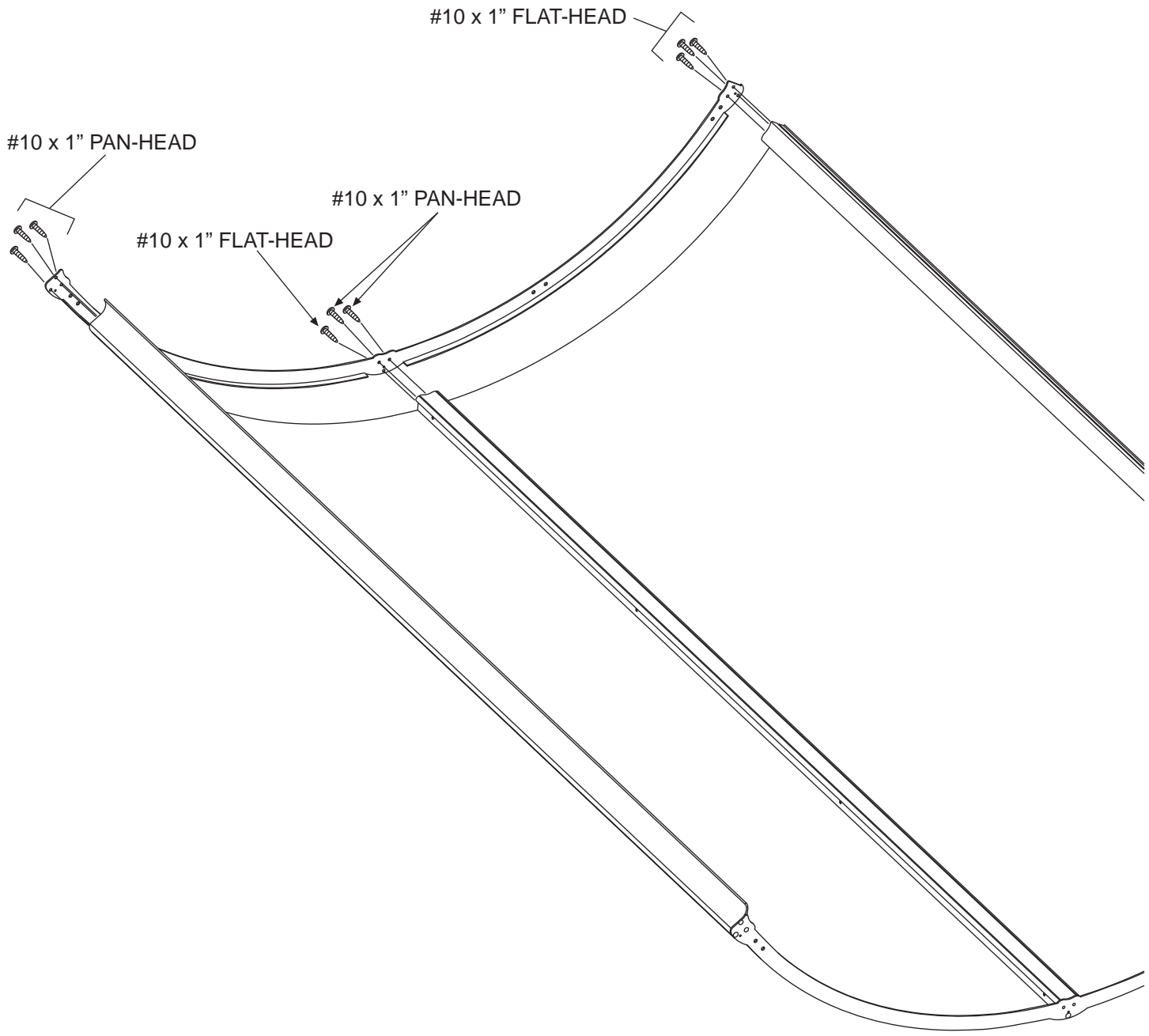
Assemble the left wall:

Fasten three rubber feet to the bottom of the wall with #8-32 x 3/4" screws.



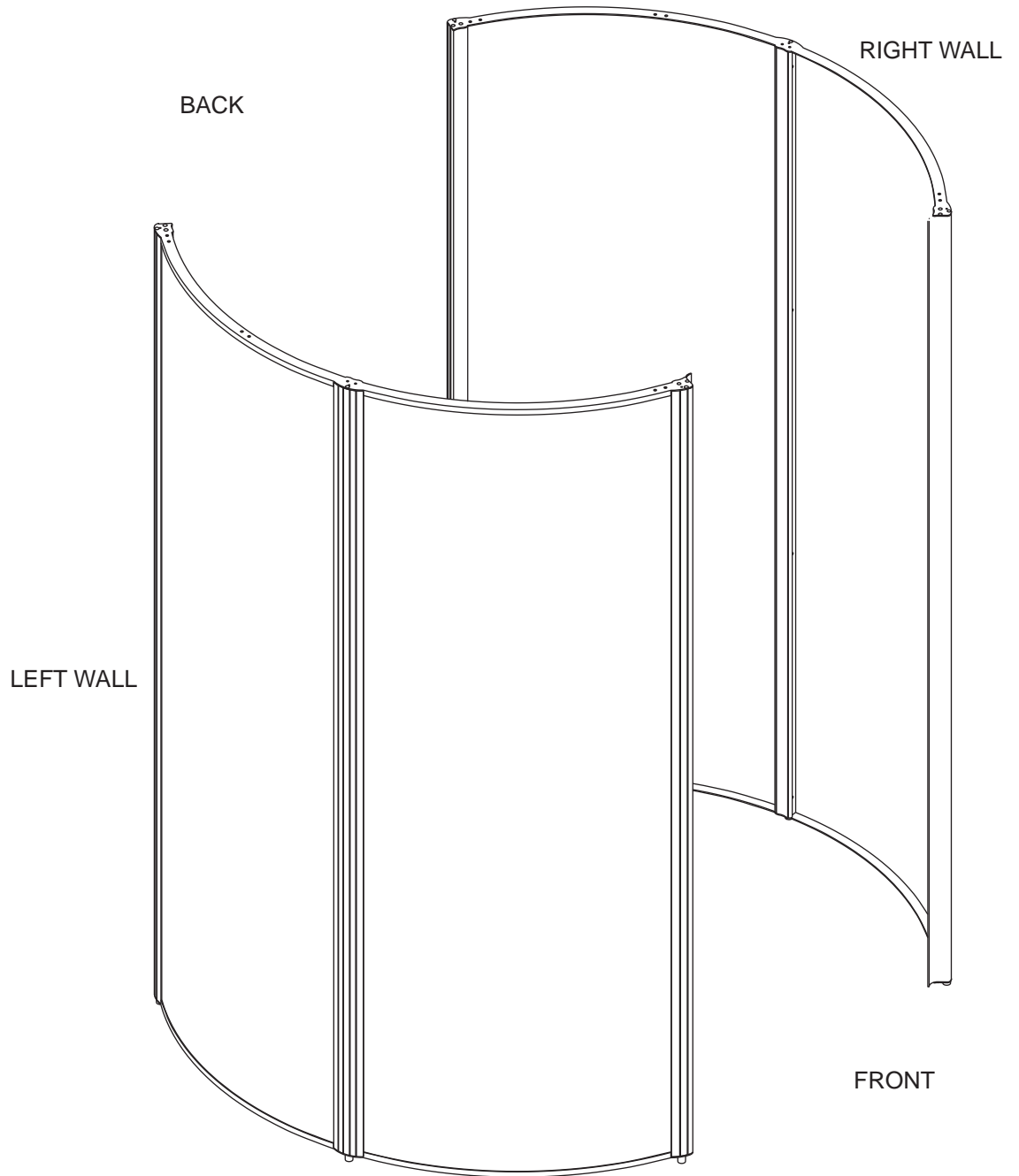
Assemble the left wall:

Attach the "Top B" support bracket to the extrusions.
Again, use the screws shown and orient the wall
support flange toward the wall skins.



Assemble the left wall:

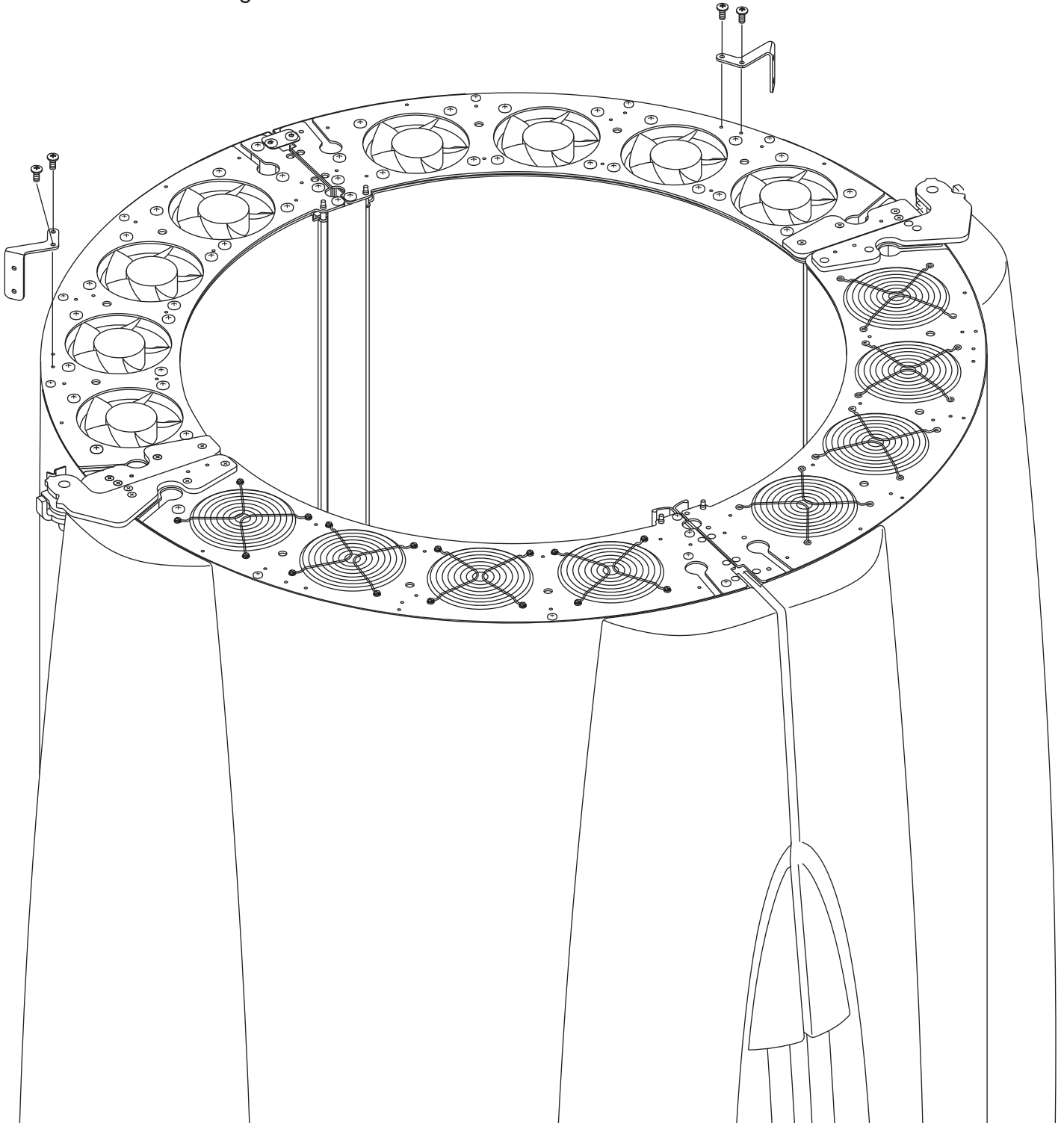
Stand up the two wall assemblies near the booth.



Booth to dressing room brackets:

With the dome and ceiling removed from the booth (refer to your booth's User Manual), attach the dressing room brackets to the tops of the left and right modules using four #8-32 x 3/8" screws, as shown.

Reinstall the booth ceiling and dome.

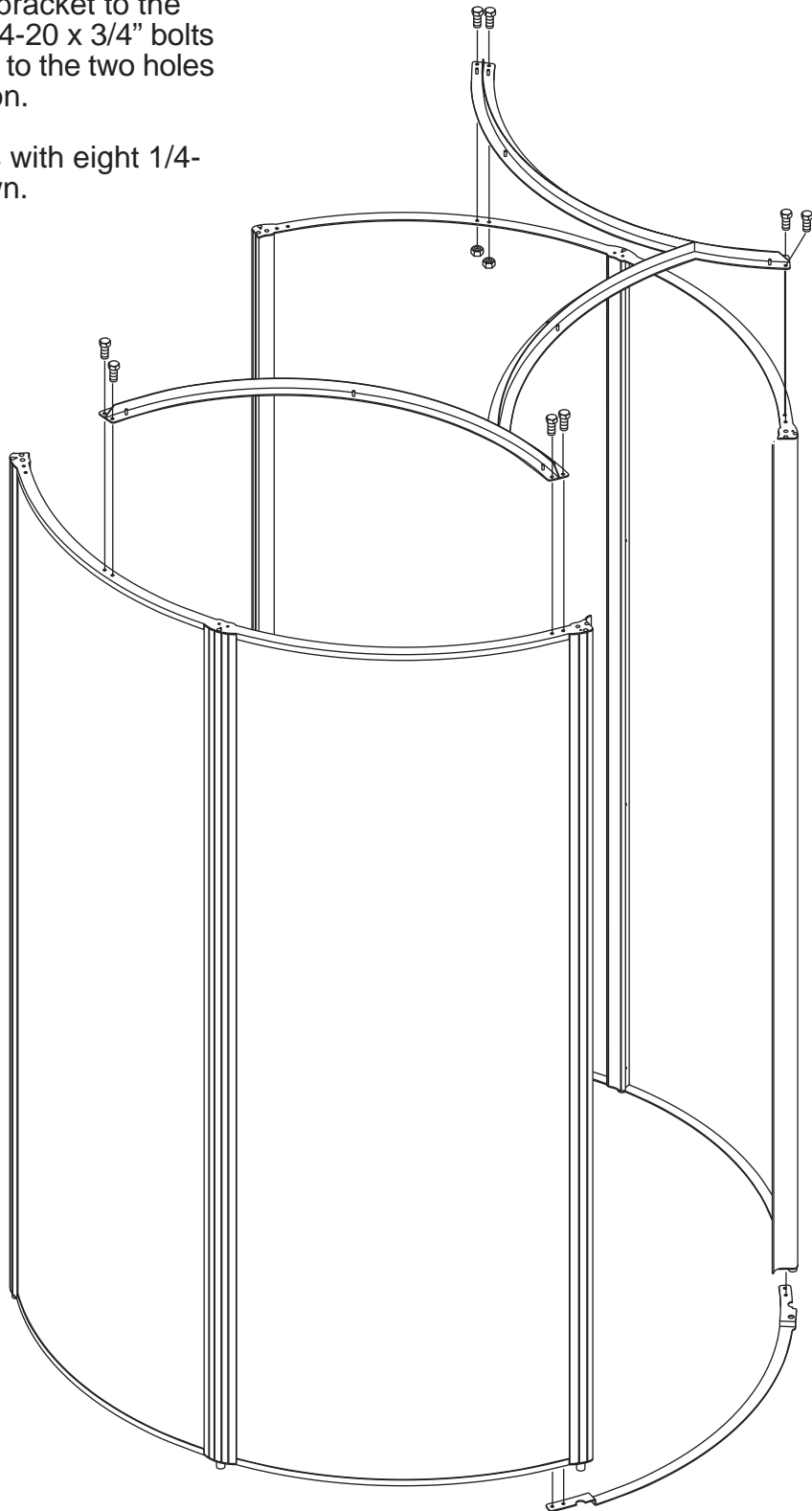


Assemble the right wall:

Attach the left and right walls to the booth to dressing room brackets (booth not shown) with two #10 x 1/2" screws in each bracket.

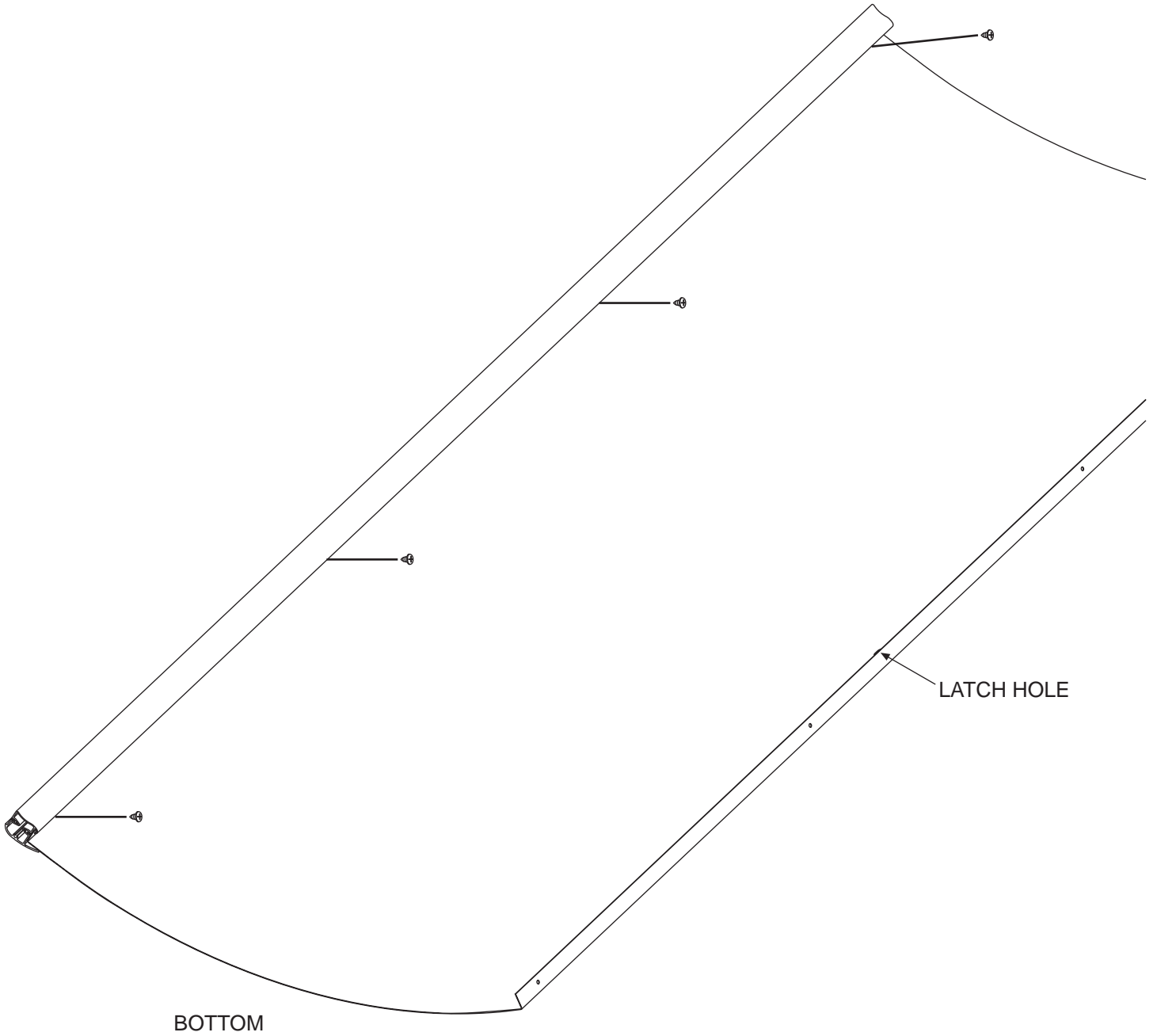
Secure the bottom door support bracket to the underside of the walls with two 1/4-20 x 3/4" bolts and nuts on each side. It attaches to the two holes just inside the door jamb extrusion.

Attach the roof brace to the walls with eight 1/4-20 x 3/4" bolts and nuts, as shown.



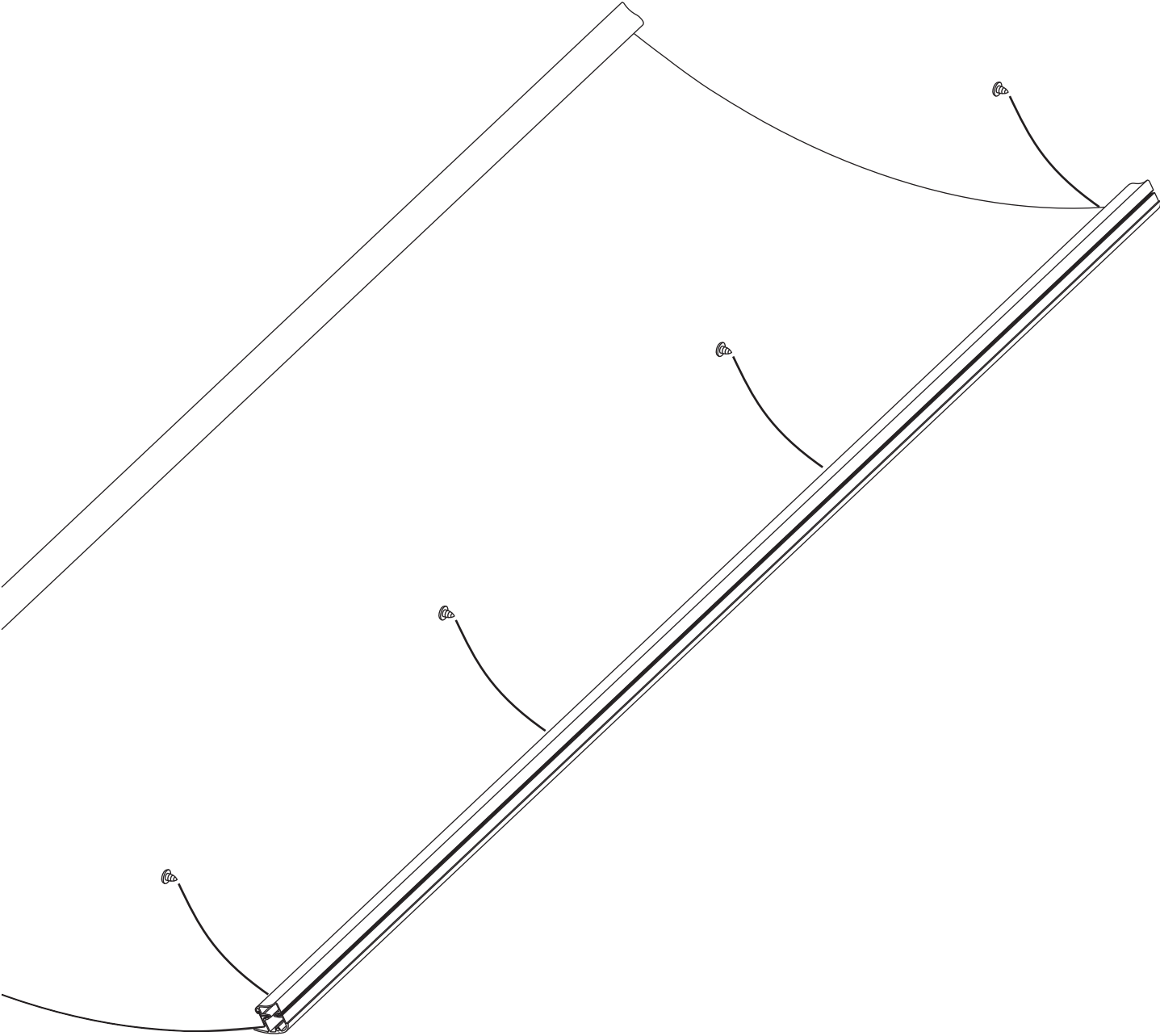
Assemble the door:

Slip an end extrusion onto the door skin and fasten with four #10 x 1/2" screws.



Assemble the door:

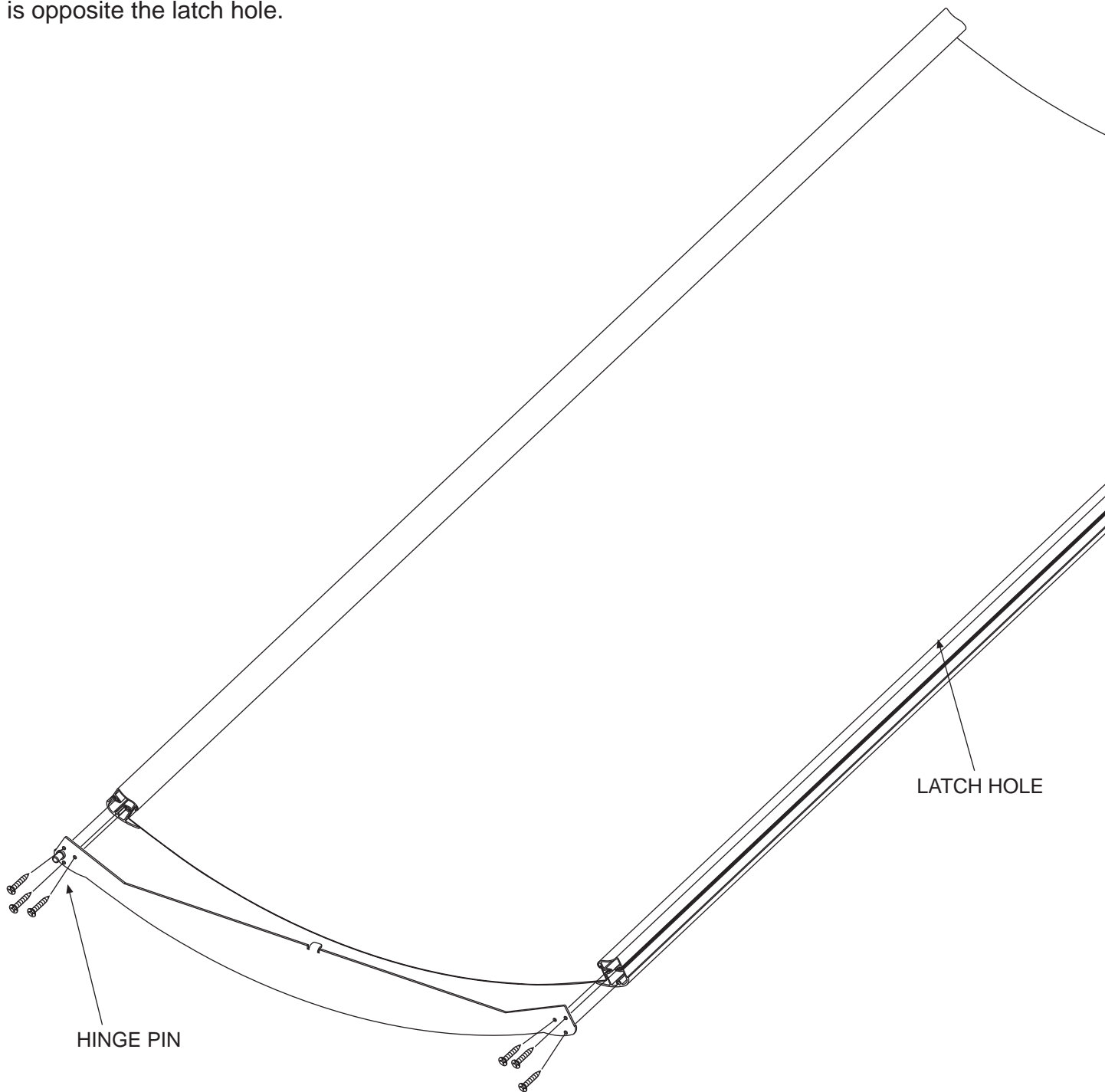
Attach the other end extrusion to the door skin with four #10 x 1/2" screws.



Assemble the door:

Fasten the bottom door bracket to the door assembly with six #10 x 1" flat-head screws.

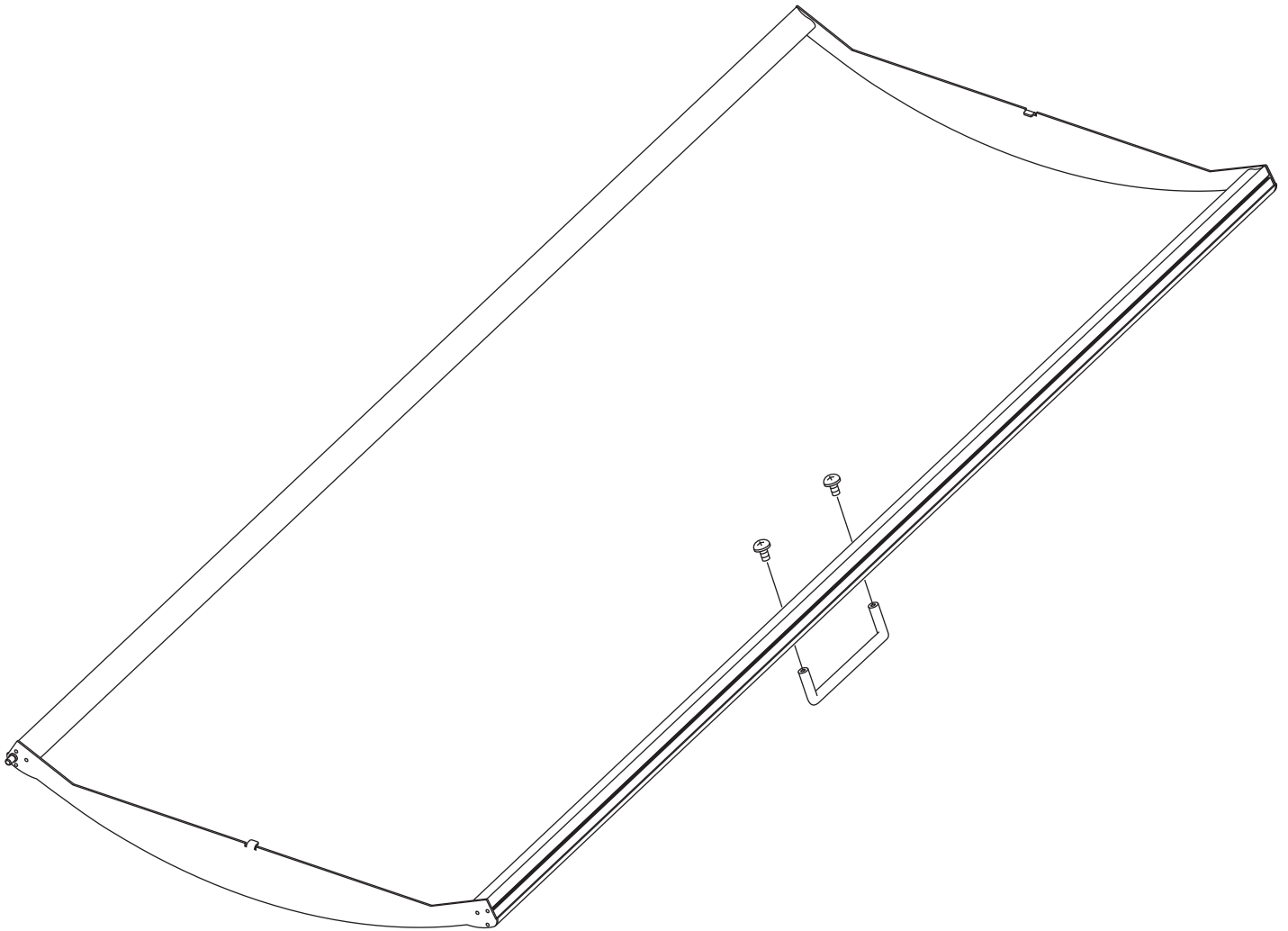
Be sure the hinge pin on the bottom door bracket is opposite the latch hole.



Assemble the door:

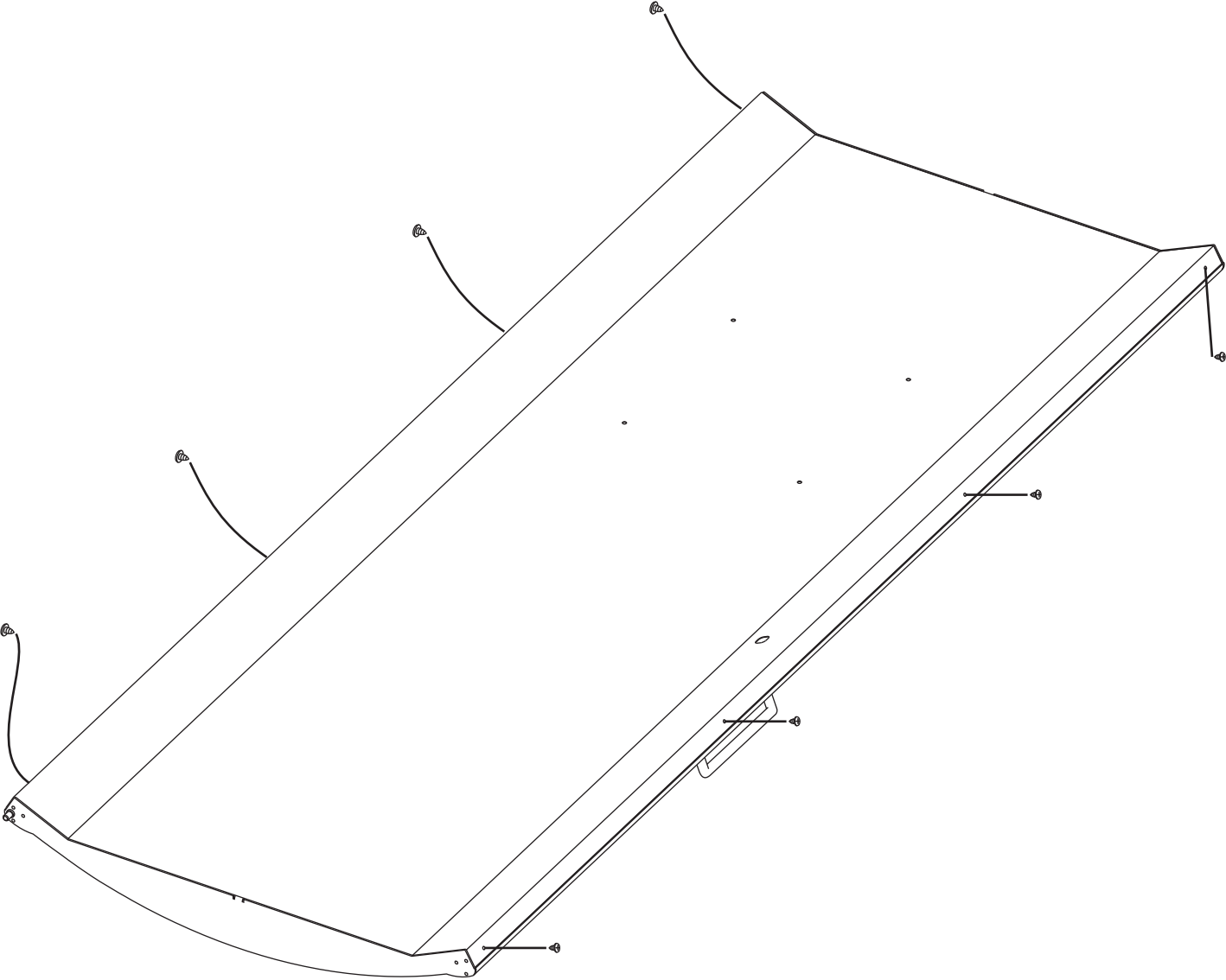
Secure the top door bracket to both extrusions with six #10 x 1" flat-head screws. Make sure the flange on the bracket faces toward the door skin.

Attach the exterior door handle to the door skin with two #10-32 x 1/2" screws.



Assemble the door:

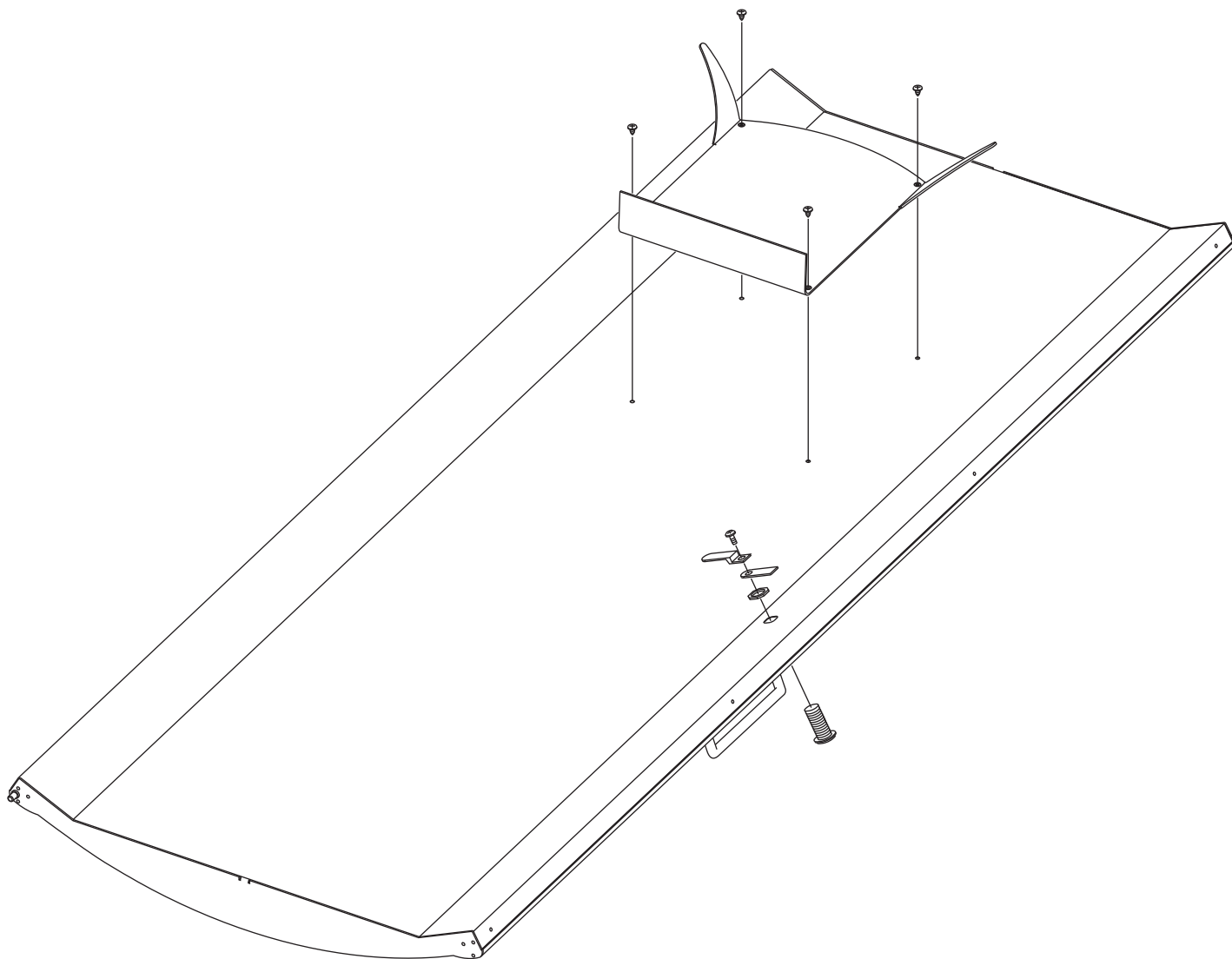
Place the inner door panel onto the assembly and secure with eight #10 x 1/2" screws.



Assemble the door:

Screw the mirror/clothes rack to the door with four #10-32 x 1/2" screws.

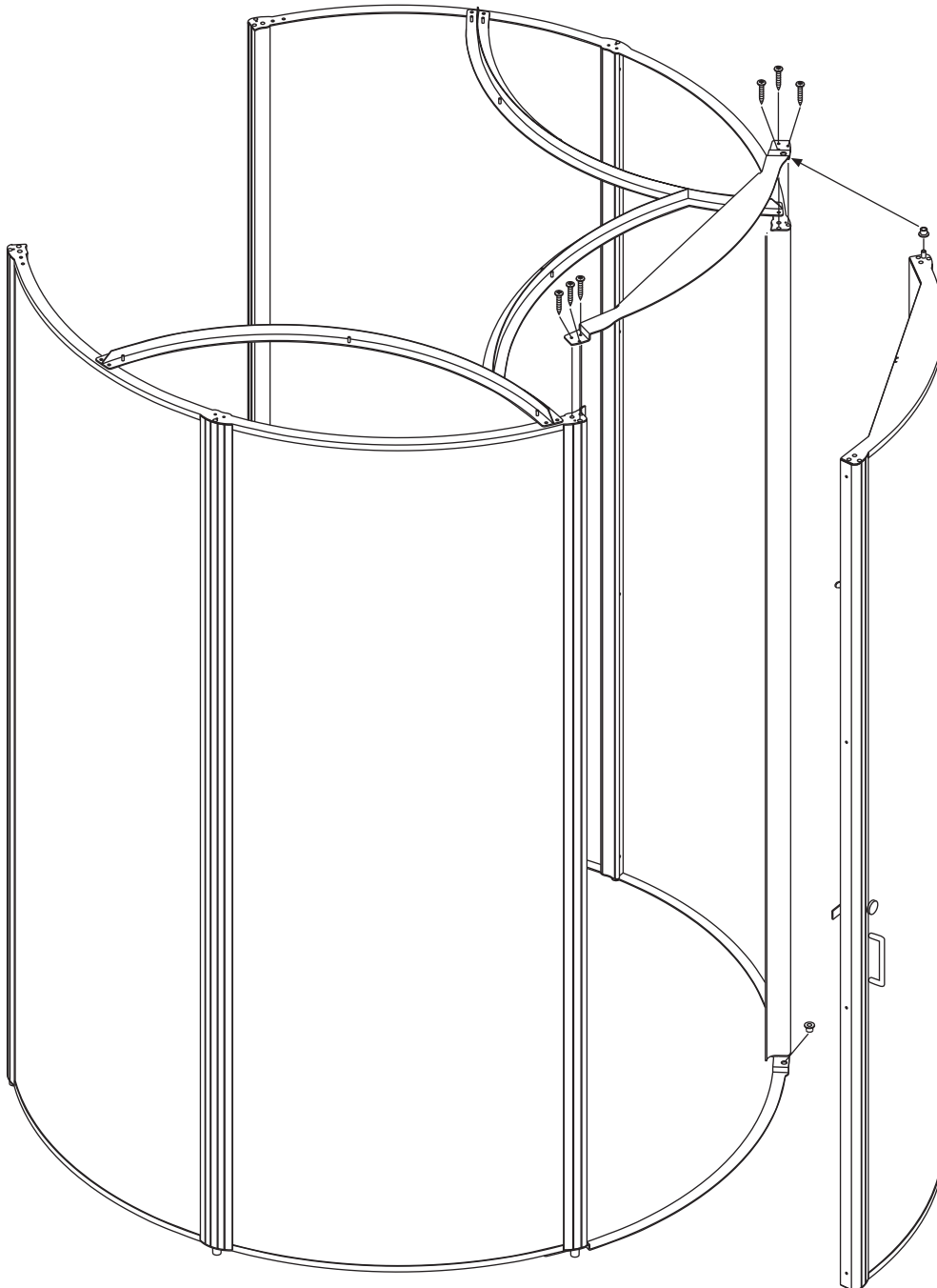
Remove the large nut from the latch body. Insert the latch body through the door from the outside. Secure it with the nut. Remove the screw from the latch body, place the latch and handle onto the latch body and replace the screw.



Install the door:

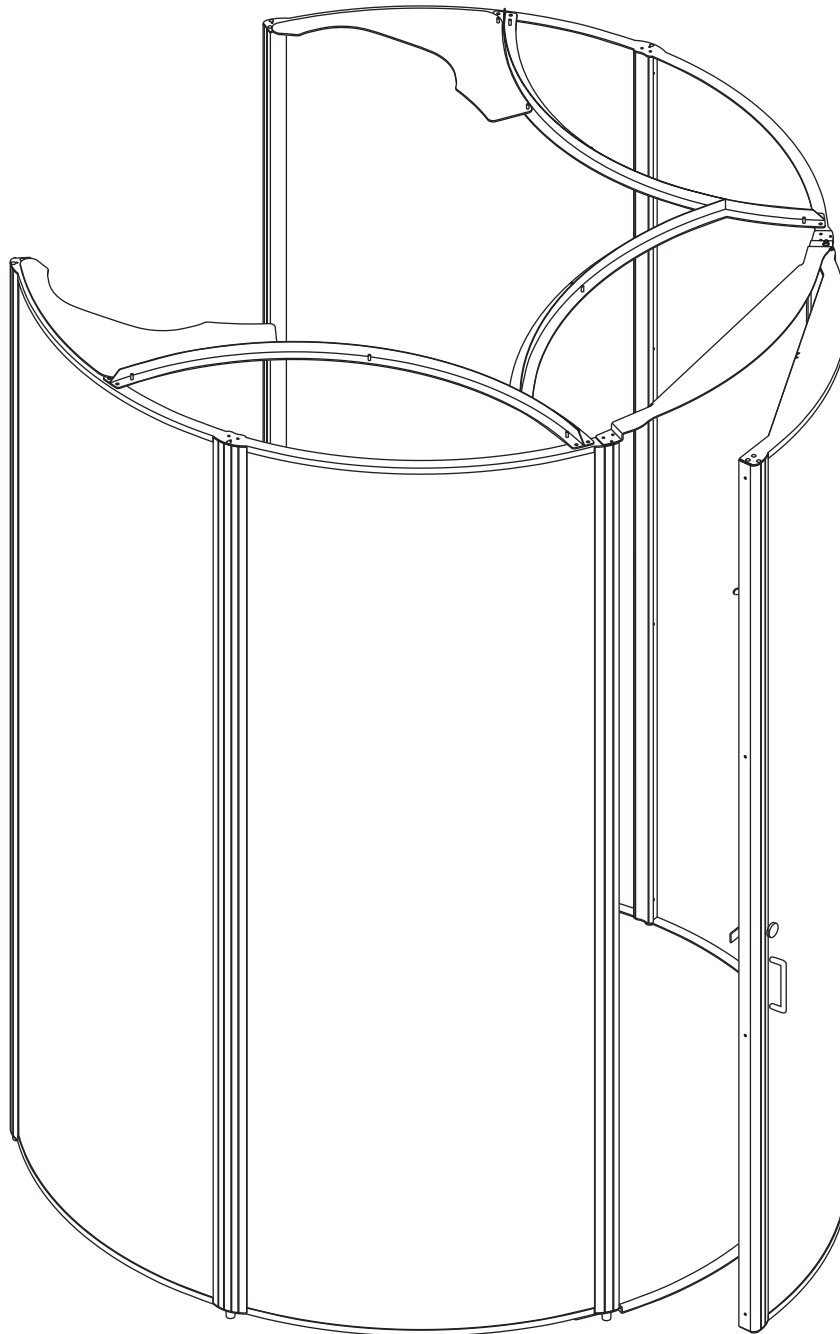
Place a hinge bushing into the hole in the bottom door support. Lower the door hinge pin into the bushing. Place the other hinge bushing onto the hinge pin on top of the door.

Remove the three screws holding the top wall supports to the door jamb extrusions and use them to attach the top door support bracket to the walls with the hinge pin in the hole in the bracket.



Install the ceiling panels:

Place the two sheet metal ceiling panels on top of the roof brace. Holes in the panels fit onto screw studs in the roof brace.



Install the ceiling panels:

Place the translucent ceiling panels on top of the roof brace. Holes in the panels fit onto screw studs in the roof brace. Fasten the ceiling panels with 1/4-20 lock nuts.

The dressing room is now complete.

