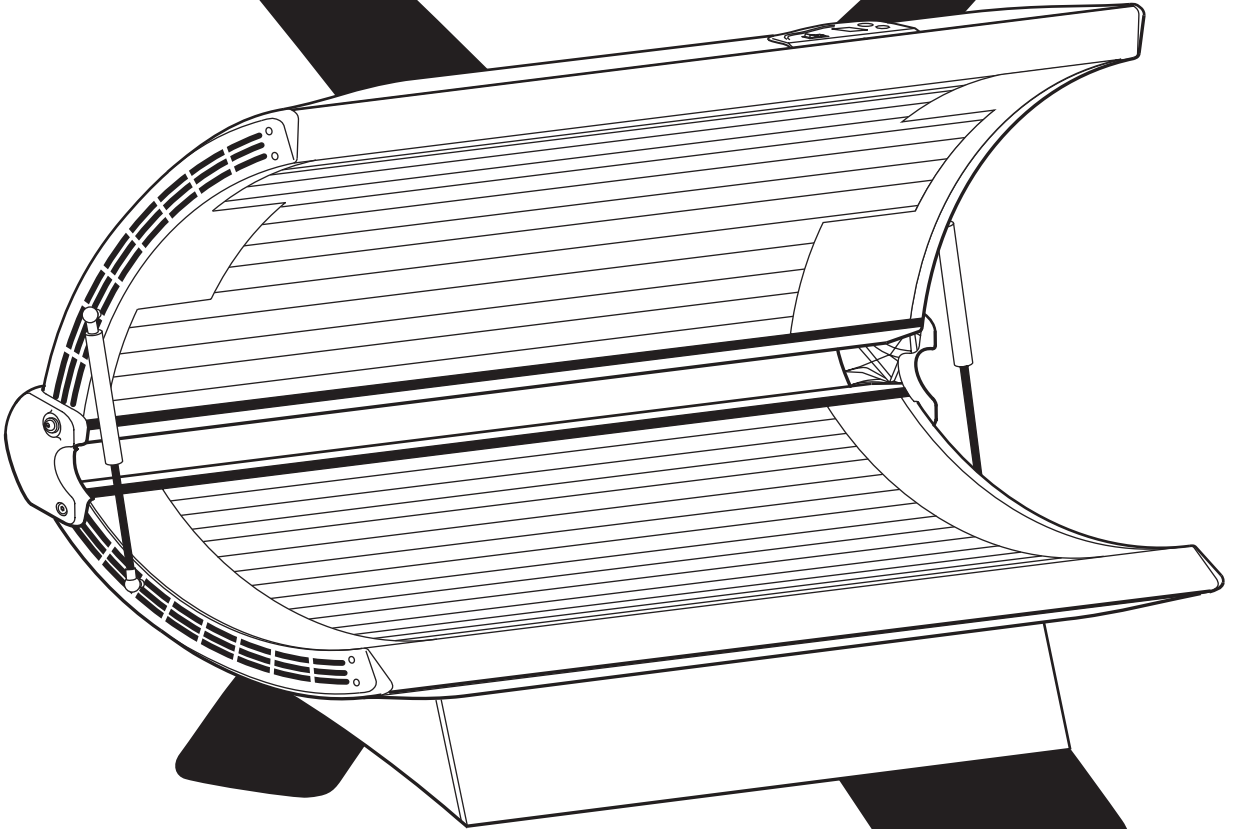


20 X-Power



USER GUIDE

26624-01A

Limited Lifetime Warranty

Your tanning unit is warranted to be free of structural defects in its material and workmanship, under normal use, for its lifetime. It will be repaired or replaced, at the discretion of the manufacturer, if any defect to the structure which affects the performance of the unit is found.

For 6 months from the date of purchase, replacements for parts that prove to be defective in material or workmanship will be provided. Acrylic shields, fluorescent lamps, and lamp starters are excluded from this warranty. Labor will be covered for 30 days from purchase date. Normal wear, damage from misuse or abuse, damage incurred in transit, or damage done by unauthorized repairs or modifications are not covered by this warranty.

SUN-CO, Inc. disclaims any implied warranty of merchantability or fitness for any period beyond the expressed warranty. Some states do not allow limitations on how long an implied warranty lasts, so the above limitations may not apply to you.

No one has authority to change or modify this Limited Lifetime Warranty in any respect. To obtain service under the Limited Lifetime Warranty, contact **SUN-CO, Inc.** at **1-800-382-8932**.

SUN-CO, Inc. shall not be liable for loss of use, loss of time, inconvenience, rental or substitute products, loss of business, loss of income, or any other incidental or consequential damages. Some states do not allow the exclusion or limitation of incidental or consequential damages, so the above limitation or exclusion may not apply to you.

This warranty gives you specific legal rights, and you may also have other rights which may vary from state to state.

All warranty service must be performed by an authorized service person. If your tanning unit must be returned for service, all freight charges must be at your expense. Contact your place of purchase for the address of the service center nearest you. Proof of purchase is required to obtain warranty service.

This warranty covers the original purchaser only. This warranty is void if the unit is modified in any manner from its original design.

WELCOME

Congratulations on your purchase of this technologically advanced sun tanning unit. It has been designed to provide years of dependable service for you.

Please read all the instructions in this booklet before installing and using the unit. Always be sure to observe all safety precautions.

CONTENTS

Safety Information2
Installation3
Pre-Installation Planning3
Unpacking and Inspection4
Tools Required4
Hardware Inventory5
Assembly Procedures6
Electrical Connections11
Operation12
Before You Tan12
Exposure Times12
Using Your Sunbed13
Care and Maintenance14
Cleaning After Use14
Thorough Periodic Cleaning14
Hour Counter15
Mechanical Inspection15
Replacing Lamps16
Troubleshooting18

2 SAFETY INFORMATION

LABELING NOTICE: Labels are affixed on all systems to inform the user of possible dangers. Regulations are stated in 21 CFR, Section 1040.20, and require that all products manufactured after September 8, 1986 which use sunlamps must display the following:

DANGER Ultraviolet radiation. Follow instructions. Avoid overexposure. As with natural sunlight, overexposure can cause eye and skin injury and allergic reactions. Repeated exposure may cause premature aging of the skin and skin cancer. **WEAR PROTECTIVE EYEWEAR; FAILURE TO MAY RESULT IN SEVERE BURNS OR LONGTERM INJURY TO THE EYES.** Medications or cosmetics may increase your sensitivity to the ultraviolet radiation. Consult physician before using sunlamp if you are using medications or have a history of skin problems or believe yourself especially sensitive to sunlight. If you do not tan in the sun, you are unlikely to tan from the use of this product. Children, the elderly, or fair skinned people who always burn easily and either never tan or tan minimally should not use this equipment.

To use, lie down under canopy and pull down as far as adjustment will allow. Do not use without clear plastic panels in place. Untanned persons should not tan on consecutive days during their first week of tanning. Never tan more than once a day. Tanning normally appears after the first few sessions and maximizes after approximately four weeks. Tan once or twice per week thereafter to maintain appearance. Persons already having a base tan may begin at advanced levels corresponding to the extent of their base tan.

RECOMMENDED EXPOSURE TIMES IN MINUTES		MAXIMUM EXPOSURE TIME IS 14 MINUTES				
Skin Type:		Level 1/Week 1 1st-3rd Sessions	Level 2	Level 3	Level 4	Subsequent Maximum
I Sensitive Skin	(Burns easily and severely and does not tan.)	NOT RECOMMENDED FOR TANNING				
II Light	(Burns easily and severely and tans minimally.)	2	5	8	11	14
III Normal	(Burns moderately and tans average.)	3	6	10	14	14
IV Dark	(Burns minimally, tans easily and above average.)	4	8	11	14	14

New lamps emit approximately 10% more ultraviolet radiation during the first 50 hours of operation. Recommended tanning times should therefore be reduced by approximately 10% during that period.

WARNING: • Read the instructions booklet before using this sunlamp product. • All persons in the room should wear protective eyewear when lamps are on. Recommended eyewear: provided eyeshields or equivalent eyewear as defined under 21 CFR 1040.20. Other types of eyewear may not provide adequate protection. Failure to use protective eyewear may result in severe burns or other eye injury. If discomfort develops, discontinue use and consult a physician.

THE FOLLOWING LAMPS HAVE BEEN CERTIFIED FOR USE IN THE 28 X-Power:
X-Power Wolff® Model XP71-T12-100W BI PIN

DISCONNECT POWER CORD BEFORE ATTEMPTING TO CLEAN, RELAMP, OR ENGAGE IN THE MAINTENANCE OF THIS PRODUCT.

THIS EQUIPMENT MUST BE EARTH GROUNDED.
This product is in conformity with performance standards for sun lamp products under 21 CFR PART 1040.20 and ANSI/UL Standard 482.



X INSTALLATION

Pre-Installation Planning

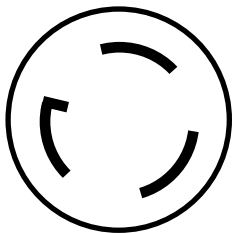
Before you begin to assemble your sunbed, you should observe the following pre-installation considerations.

	⚠ WARNING
	Shock hazard. Disconnect power before servicing.

⚠ CAUTION
Use of a voltage source above 230V AC may prevent proper operation of the sunbed and could cause damage and void the warranty.

Your sunbed operates from a 220V AC source. The **28 X-Power** requires a NEMA **L6-30R** electrical outlet (below) on a dedicated circuit capable of providing **30 Amp** service installed in the room in which you will use the unit. We recommend installation by a professional electrician. The outlet must be earth grounded.

⚠ CAUTION
Air from the room is used to cool the sunbed. Maximum ambient room temperature should be 80°F. Place your sunbed no closer than 6" from any wall. Make sure nothing obstructs the airflow into the sunbed's endcaps or out of the fan openings. A poorly ventilated room may cause the unit to become hot and cause discomfort to the user.



30 AMP NEMA #L6-30R RECEPTACLE

4 | INSTALLATION - UNPACKING AND INSPECTION

Unpacking and Inspection

Your sunbed comes in two cardboard cartons, one for the bench and one for the canopy. Open the cartons and remove the bench and canopy as follows.

The bench and canopy are each wrapped in plastic. Pull back the plastic and, with a helper, grasp the bench and pull it from the carton bottom, leaving the plastic wrap and the carton packaging. Do the same for the canopy. Do not try to lift either unit with the plastic still on as it may slip.

Note! The cartons are reusable. You may wish to save them for future use.

The canopy box also contains a pair of gas springs. The bench box also contains a box containing necessary assembly hardware, safety goggles, and pillow, and a box containing two stand legs.

Inspect these items, including the canopy and bench, and make sure they are free from any visible damage. Report the extent of any damage to the transportation company.

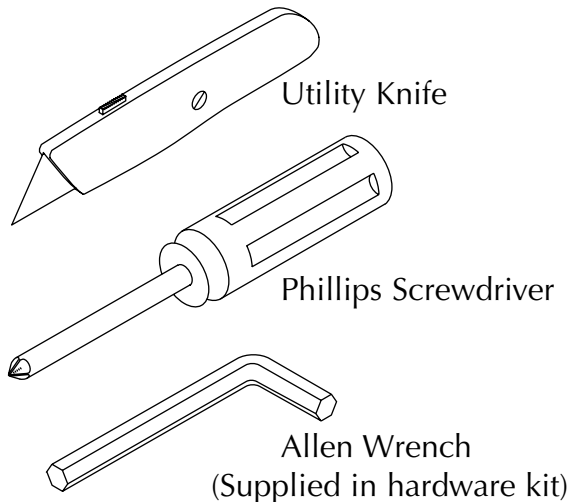
Record the serial numbers of the canopy and bench in the area provided at the back of this manual. This information will be required whenever you call customer service.

CAUTION

Proper assembly of your sunbed requires three people. Plan to have a couple of helpers assist you.

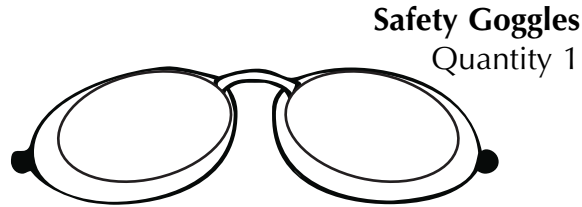
Tools Required

You will need the following tools to assemble your sunbed.

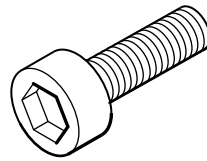


Hardware Inventory

Use the utility knife to cut open the hardware box and remove the small bag of hardware. In addition to a small Allen wrench and pillow, make sure you have the following hardware items.



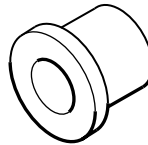
⚠ WARNING
Wear protective eyewear.
Failure to may result in severe burns or longterm injury to the eyes.



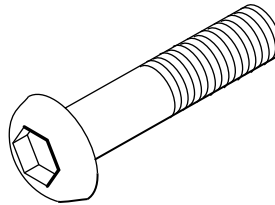
Allen-head Bolt
5/16" x 1"
Quantity 2



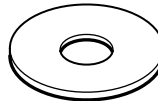
5/16" Metal Washer
Quantity 2



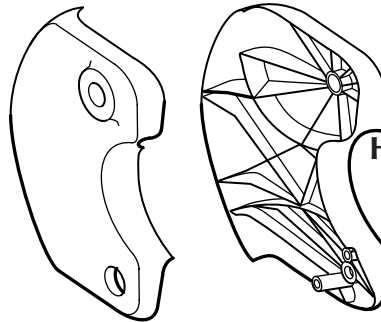
Bushing
Quantity 2



Allen-head Bolt
5/16" x 1 1/2"
Quantity 2



Nylon Washer
Quantity 2



Hinge Brackets
Quantity 2
(left and right)

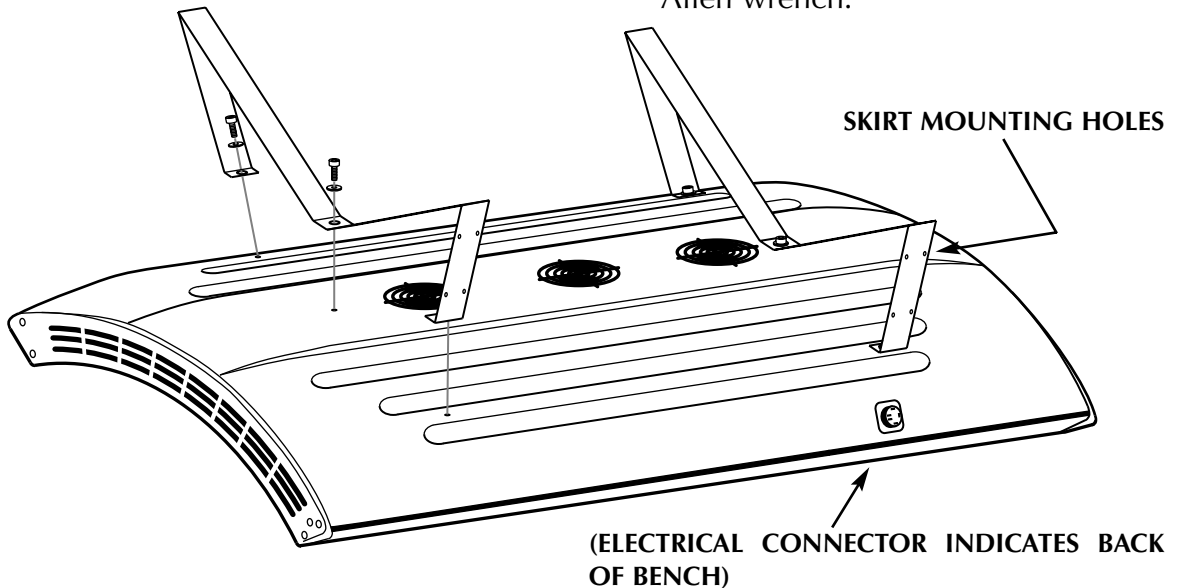
6 | INSTALLATION - ASSEMBLY PROCEDURES

Assembly Procedures

Attaching Legs to Bench

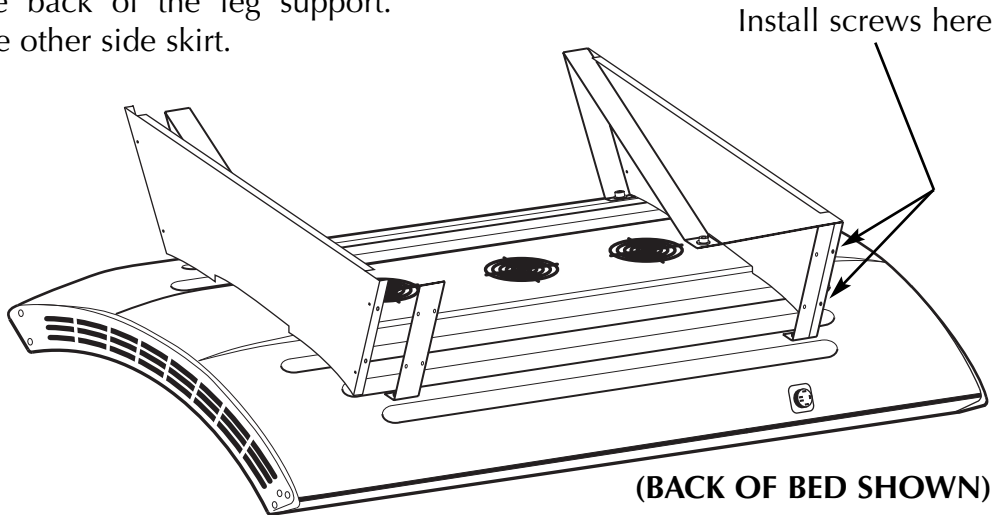
Lay the bench upside down on the floor. Locate the two stand legs and attach to the bench as shown below.

1. Using six 5/16" x 1" bolts and six 5/16" washers (pre-installed), attach the stand legs with the skirt mounting holes toward the back of the bench as shown. Install center bolt first. You may have to gently push sides of legs in to align holes. Tighten with the Allen wrench.

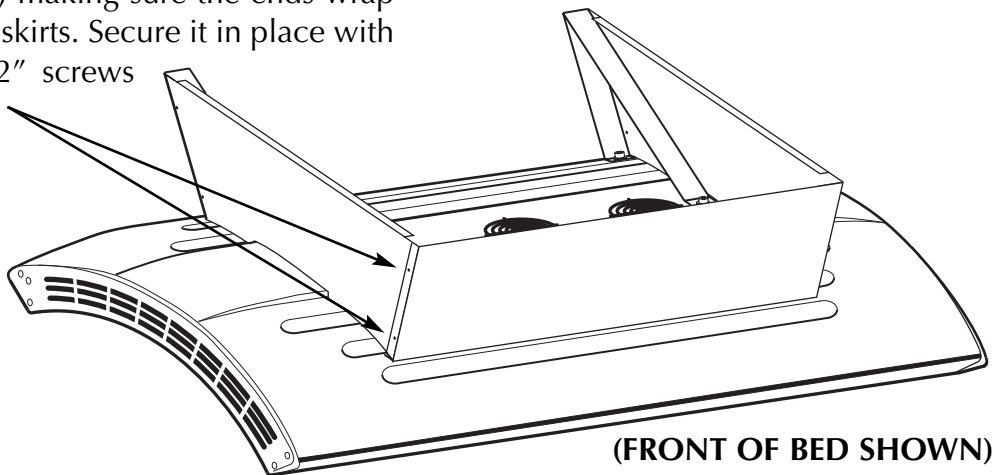


Assembling Skirt

1. Position the side skirts at either end of the base. Install two #8 x 1/2" screws through the pre-drilled holes of the side skirt into the back of the leg support. Repeat for the other side skirt.



2. Turn the bed around and put the front skirt in place, making sure the ends wrap over the side skirts. Secure it in place with two #8 x 1/2" screws in each end.



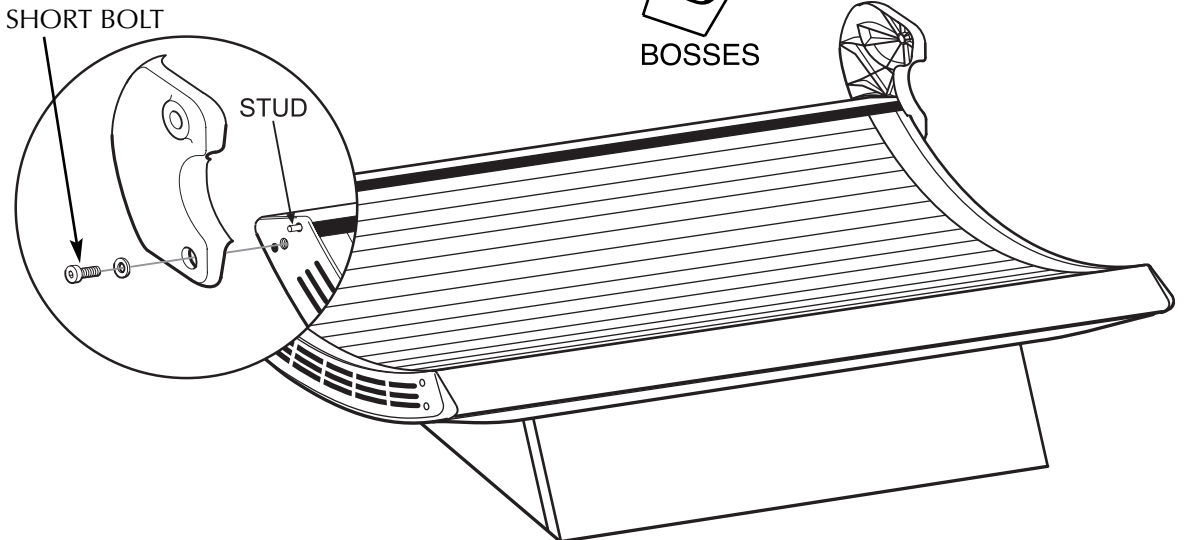
8 INSTALLATION - ASSEMBLY PROCEDURES

Attaching Hinge Brackets to Bench

Turn bench right side up on the floor. Place so that the electrical connector is facing toward the wall outlet. Locate the two hinge brackets and identify the left and right brackets.

1. Install the hinge brackets to the ends of the bench such that the short boss engages the stud above the bolt hole, and the long boss engages the hole below the bolt hole. Secure using the 5/16" x 1" Allen-head bolts and 5/16" metal washers. Tighten bolt snug, then an additional half turn.

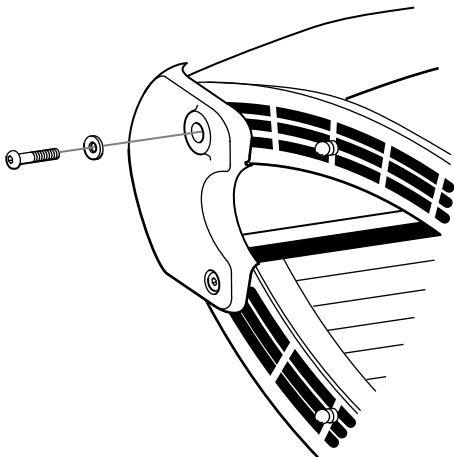
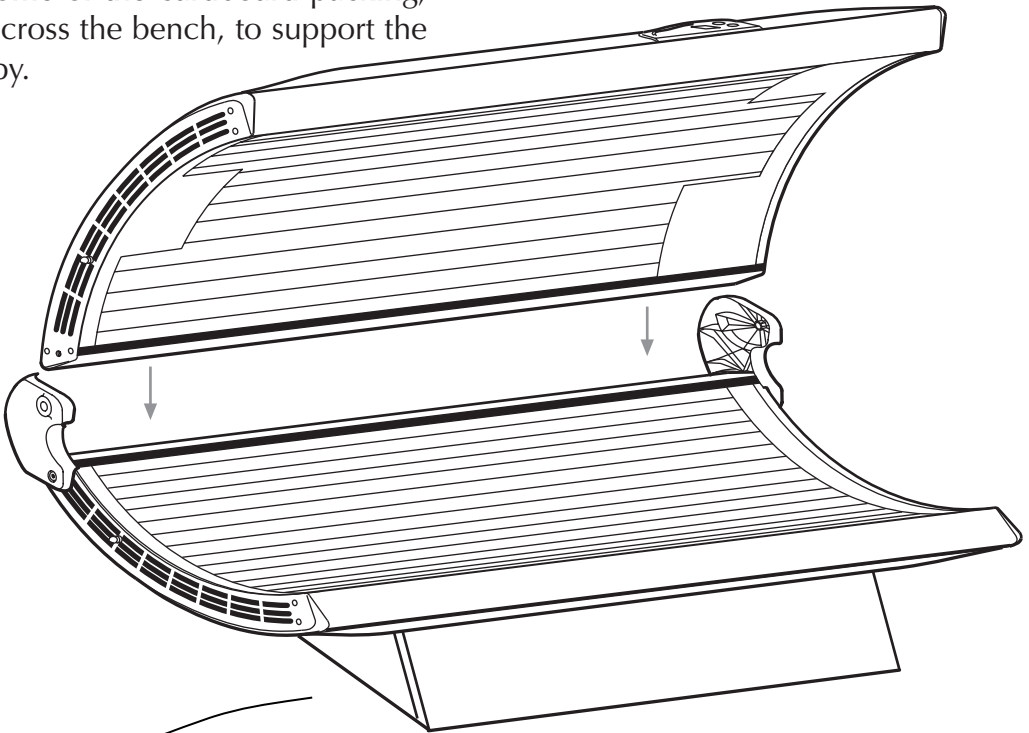
2. Place the bushings into the hinge brackets as shown below.



(Shown with optional skirt kit)

Attaching Canopy to Bench

1. Lift the canopy and hold it between the hinge brackets. You may want to use some of the cardboard packing, laid across the bench, to support the canopy.



2. Insert the 5/16" x 1 1/2" bolts with the nylon washers into both hinge brackets. Tighten bolts into the end-cap threaded inserts until snug, then an additional half turn. Do not over-tighten to avoid damaging threaded inserts.

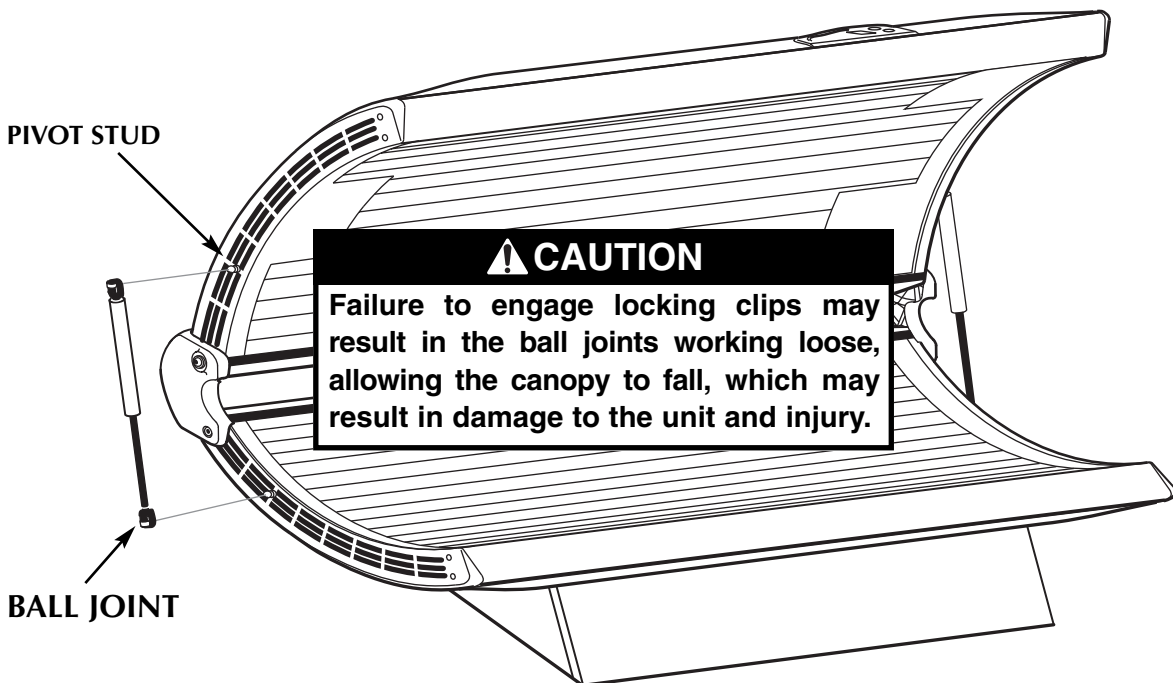
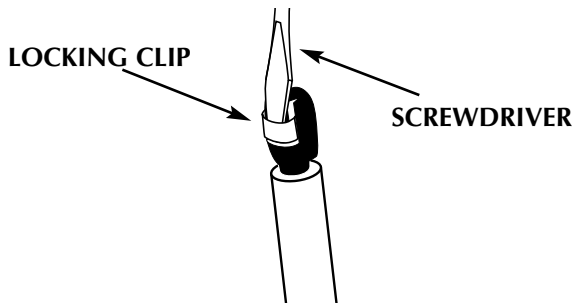
(Shown with optional skirt kit)

10 | INSTALLATION - ASSEMBLY PROCEDURES

Attaching Gas Springs

1. The gas springs are shipped with locking clips installed. Use a screwdriver to pry back the locking clips on the gas springs as they are installed. (See right)
2. With a helper holding the canopy open, align open ends of gas spring ball joints with pivot studs and push into place. Be sure rod end is down as shown. **DO NOT** lower canopy until both gas springs are engaged!

3. Lift and lower canopy a few times to lubricate gas springs for optimum performance.

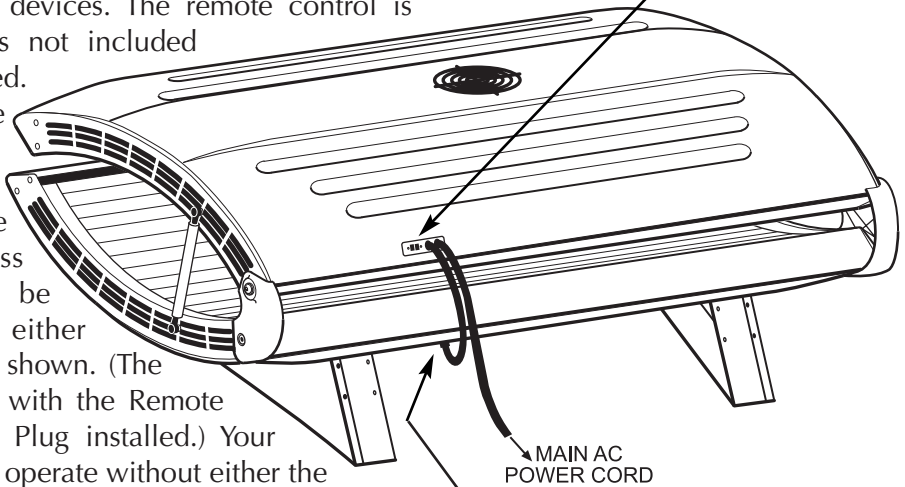
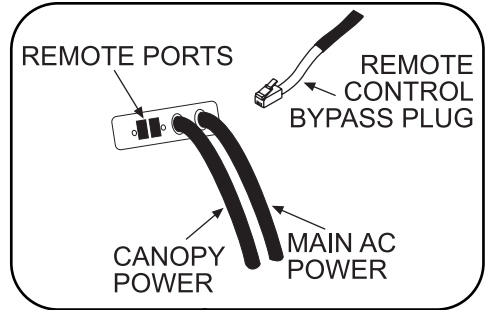


(Shown with optional skirt kit)

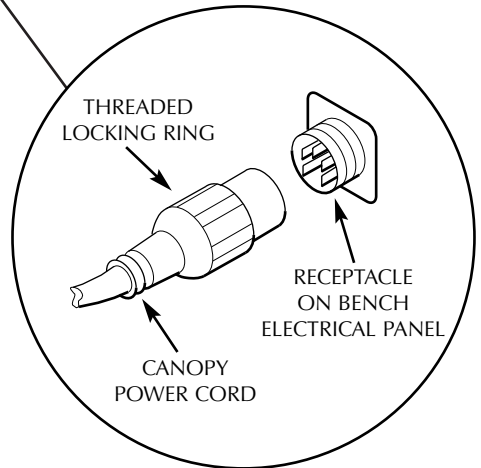
Making Electrical Connections

⚠ WARNING
Shock hazard.
Be sure AC power is disconnected before connecting cables.

1. Your sunbed is designed to communicate with remote control devices. The remote control is optional and is not included with your sunbed. If you choose not to use a remote control, the Remote Control Bypass Plug must be plugged into either Remote Port as shown. (The unit is shipped with the Remote Control Bypass Plug installed.) Your sunbed will not operate without either the bypass plug or a remote system connected. If remote operation is desired, see *Remote Connections*.



2. Connect the canopy to bench power cord to the bench receptacle. The plug is polarized. Align the terminals and firmly push on until seated then tighten the threaded locking ring.
3. Plug the three-prong 220V AC power cord into a dedicated outlet (see *Pre-Installation Planning*).



Before You Tan

Before using your sunbed, please note the following important precautions.

- Your skin should be free of cosmetics, oils, or other body lotions prior to tanning except for those specifically made for use with tanning devices. Your hair should be free of gels, mousses, sprays, or other hair products prior to tanning. These products can cause damage to the sunbed acrylic. As an alternative, a shower cap or towel can be worn to keep treated hair away from the sunbed surfaces.
- Natural body oils aid in moisturizing the skin. Try not to bathe or shower immediately before tanning.
- This unit intended for individual use. Only one pair of eyewear is included.

⚠ DANGER

Some medication may increase your sensitivity to ultraviolet light. It is recommended that you consult a physician before using this sunbed if taking any medication or if you suspect that your skin might be especially sensitive to sunlight.

⚠ DANGER

Shock hazard.

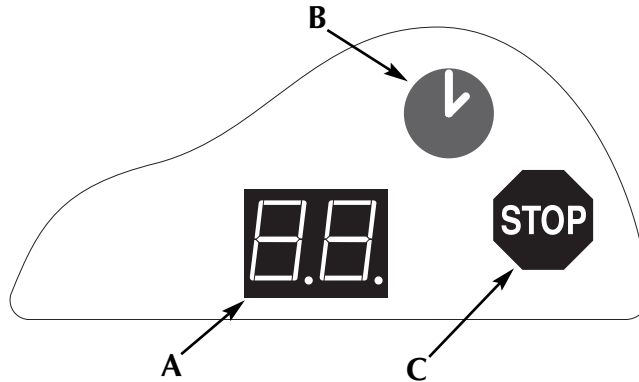
Do not operate this device near water or while you are wet.

Exposure Times

Follow the guidelines for skin type and exposure times as shown in the table below. Untanned persons should not tan on consecutive days during their first week of tanning. Never tan more than once a day. Tanning normally appears after the first few sessions and maximizes after approximately four weeks. Tan once or twice per week thereafter to maintain appearance. Persons already having a base tan may begin at advanced levels corresponding to the extent of their base tan.

RECOMMENDED EXPOSURE TIMES IN MINUTES		MAXIMUM EXPOSURE TIME IS 14 MINUTES				
Skin Type:		Level 1/Week 1 1st-3rd Sessions	Level 2	Level 3	Level 4	Subsequent Maximum
I Sensitive Skin (Burns easily and severely and does not tan.)		NOT RECOMMENDED FOR TANNING				
II Light (Burns easily and severely and tans minimally.)		2	5	8	11	14
III Normal (Burns moderately and tans average.)		3	6	10	14	14
IV Dark (Burns minimally, tans easily and above average.)		4	8	11	14	14

Using Your Sunbed



- A Timer display** - Displays remaining time.
- B Timer button** - Turns bed on. Timer display shows remaining time. If a lesser time is desired, press timer button until desired time is displayed.
- C Stop button** - Interrupts tanning session.
1. Press the timer button (B) to begin the tanning session. The lamps will turn on and the timer will begin to count down from the maximum tanning session time. If a tanning time less than the displayed time is desired repeatedly press the timer button (B) to decrease the remaining time.
 2. Lift the canopy, lie down on the bench (face up), lower the canopy toward your body. For best results, position the canopy as close to your body as possible.
 3. When the timer reaches "0" the lamps turn off. If you want to stop your session before time expires, press the stop button (C).
 4. Raise the canopy by using the outer edge of the canopy, do not push on the acrylic shield as it may crack. The cooling fans run for three minutes after the lamps shut off to aid in cooling the sunbed.

WARNING

Wear protective eyewear.

Failure to may result in severe burns or longterm injury to the eyes.

Cleaning After Use

Clean and disinfect your tanning bed's bench and canopy after each use. Use a non-abrasive disinfectant cleaner that **does not contain ammonia or ammonia derivatives**. Ammonia may damage the acrylic shields. Spray the acrylic lightly with disinfectant and wipe dry with a clean soft cloth. We recommend SunQuest® disinfectant and SunQuest® acrylic cleaner.

Thorough Periodic Cleaning

Introduction

The cooling fans draw air through the bed and over time will cause a dust buildup on the lamps and reflectors. This will reduce the tanning effectiveness of the bed. When a dust buildup is observed, it is necessary to thoroughly clean the inside of the bench and canopy.

	! WARNING
	<p>Shock hazard. Disconnect power before removing any protective covers.</p>

Cleaning the Canopy and Bench

- Step 1** Remove the acrylic shields and lamps as described in *Replacing Lamps*.
- Step 2** With a soft cloth, wipe the entire length of each lamp to remove any film buildup.
- Step 3** Clean both sides of the acrylic shields with a non-ammonia disinfectant cleaner.
- Step 4** Wipe the reflectors with a clean damp cloth.
- Step 5** Reinstall the lamps and acrylic shields.

Hour Counter

This sunbed incorporates an ingenious hour counter function into the timing circuitry. It allows the operator of the unit to monitor the hours of use of the lamps, making it easy to determine when to change them. You may also decide to use this function to monitor other time based maintenance tasks.

To determine how many hours the unit has been in service (since the last reset of the hour counter memory), first make sure the timer display shows "0". Then simply hold the stop button for three seconds. The display will show two pairs of numbers which indicate the number of hours of service, then return to "0". (example: Display shows 08 then 54. This equals 854 hours.)

To erase the indicated hours disconnect power from the sunbed. Press and hold the green timer button as you reconnect power. Release the button after a few seconds.

Mechanical Inspection

Your tanning bed has been built for years of service. To ensure trouble-free operation throughout its life, inspect the unit's mechanical integrity every 400-500 hours of use.

- Inspect the unit's fasteners verifying that all are firmly in place. Pay particular attention to the hinge bolts.
- Inspect gas springs for signs of wear. Gas springs that will not hold the canopy in the full open position when raised should be immediately replaced.
- Inspect the AC power cord and its connections.
- Inspect the acrylic. Broken, cracked or badly scratched acrylics should be immediately replaced.

Replacing Lamps

Introduction

To be assured of maximum tanning effectiveness, change lamps after approximately 800-1000 hours of use. Tanning will continue after this time but at a slower rate. To ensure trouble-free operation of your sunbed, replace the lamp starters whenever the lamps are replaced.



⚠ WARNING

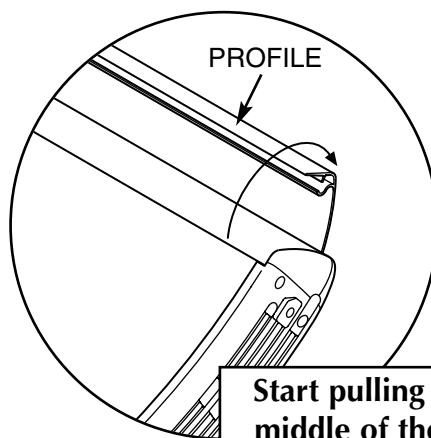
Shock hazard.

Disconnect power before servicing.

Removing/Replacing Acrylic Shield

The acrylic shields in the bench and canopy are secured in place by hinged profiles which run the length of the bed, both front and back. Simply pry up on the inside edge of the profile, starting from the middle of the profile, until it releases its latching action (see figure at right). Continue to pry up the profile across its entire length until it swings back freely. Repeat for the other profile. The long edges of the acrylic shield are now exposed. Standing in front of the sunbed, grasp the exposed edge of the acrylic and carefully slide it toward you until it is removed.

After changing the lamps, replace the acrylic shields by reversing the above directions. Close the hinged profile by pushing it back into place until it snaps tight.



Start pulling from the middle of the profile!

⚠ CAUTION

Be careful. The edges of the acrylic shield may be sharp.

Removing/Replacing Lamps

After removing the acrylic shields, replace lamps as follows.

- Step 1** Grasp a lamp at one end and at the middle, then turn the lamp a quarter turn. The lamp may then be gently removed from its holder.
- Step 2** To reinstall a lamp, insert the pins located on the ends of the lamp into the slots on top of the lamp holder and turn the lamp a quarter turn.

Recommended Replacement Lamps

We recommend using the lamps specified below. Use of lamps other than those specified below, or compatible replacements, is a violation of Federal regulations and will void your warranty. These lamps have an average life of 800-1000 hours of effective tanning use. Lamps used longer than that begin to lose their effectiveness even though they will continue to light.

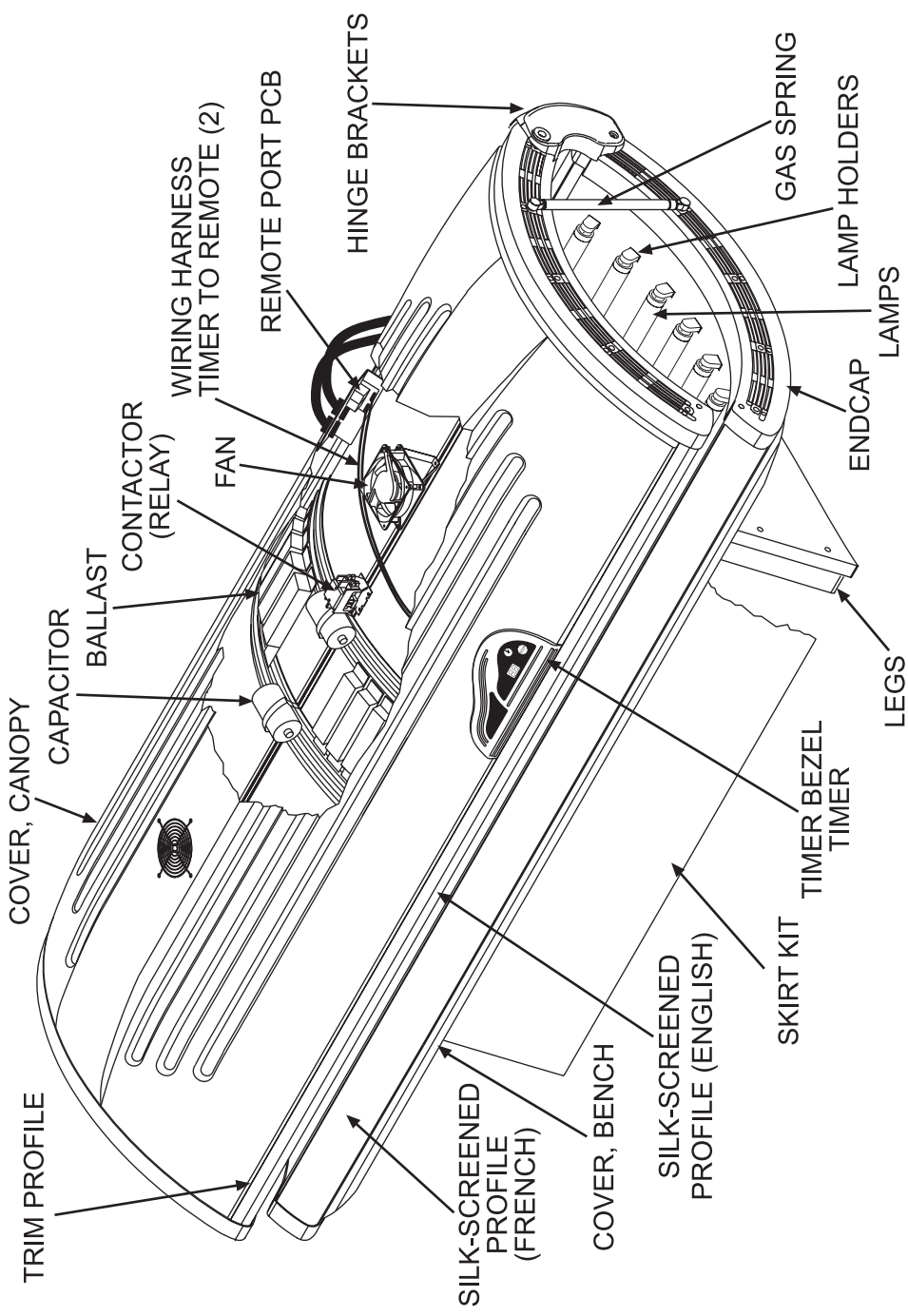


The following lamps have been certified for use in the **28 X-Power**:

X-Power Wolff® Model XP71-T12-100W BI PIN

<i>Problem</i>	<i>Solution</i>
Sunbed not tanning	<ol style="list-style-type: none"> 1. Clean sunbed, see <i>Thorough Periodic Cleaning</i>. 2. Ensure supply voltage is between 208 and 230V AC. 3. Replace lamps if lamp hours are greater than 800hrs. 4. Replace acrylic.
Lamps fail to light and timer display is blank	<ol style="list-style-type: none"> 1. Make sure the unit is connected to a power source. 2. Check source of AC power. Reset circuit breaker or replace fuse.
One or more lamps fail to light	<ol style="list-style-type: none"> 1. Check that lamp is installed correctly. 2. Switch unlit lamp with a lamp that lights, if new lamp lights and old lamp still does not, replace old lamp.
The canopy will not stay up	<p>NOTE: Gas springs are manufactured to hold the canopy in its fully open position as well as allow it to rest fully closed. If left open for an extended period of time some creep down may occur. This is considered normal. Keep the unit closed when not in use. If the canopy will not stay fully open when raised...</p> <ol style="list-style-type: none"> 1. Raise and lower the canopy a few times to lubricate gas spring internal seals. 2. Replace gas springs.
Sunbed does not stay lit	<ol style="list-style-type: none"> 1. Check source of AC power. Reset circuit breaker or replace fuse if necessary. 2. Contact your service representative.

N-28XP



Parts List

This is a list of parts which may be replaced by the consumer. Care should be taken when replacing anything related to electrical wiring. We recommend contacting a professional electrician. When calling for parts, first state your bed model as N-28XP. Then refer to this list and preceding illustrations for proper part identification.

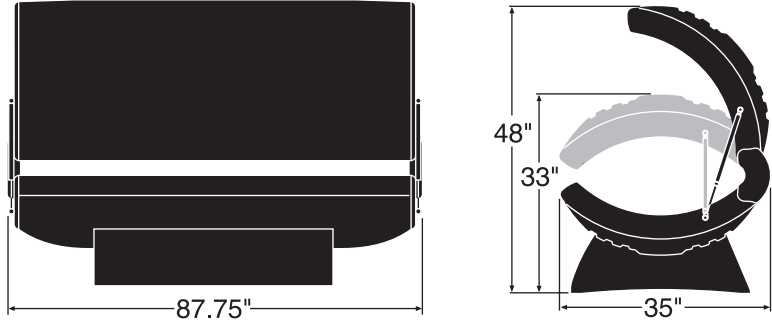
- Acrylic, Bench*
- Acrylic, Canopy*
- Ballast, 100W
- Capacitor, 75uF
- Contactor (Relay)
- Cover, Bench
- Cover, Canopy
- Endcap Service Kit (1 left and 1 right endcap)
- Fan
- Gas Spring set
- Hardware Kit* (assembly hardware)
- Hinge Brackets (left and right)
- Lamp Holder w/ Starter*
- Lamp Holder w/o Starter
- Lamps
- Leg Mounts* (found inside the bench)
- Legs
- Manual*
- Pillow*
- Profile (blank)
- Schematic Packet*
- Silk-screened Profile
- Skirt Kit (front, 2 sides and screws)
- Starter, K-11*
- Timer (complete with timer, buttons, and bezel)
- Timer Bezel
- Timer Buttons*
- Trim Profile (navy)

Record this information for ease of service:
Date of purchase: _____
Bench serial number: _____
Canopy serial number: _____

* Not shown

28XP

Size



Weight (Pounds) 329 lbs

Minimum Room Size 6' x 8'

Electrical -

Voltage (AC) 220

Amperage 16

Circuit Breaker (Amps) 30

Outlet (NEMA standard)  L6-30R

Main Lamps X-Power 100W

Ballasts 100W

Timer System Digital

Max. Exposure Time 14 minutes

Back-up Timer Digital "watchdog" circuitry

Remote Capability T-Max® compatible

SUN-CO INC.

1-800-382-8932 • email@suncotanning.com

