

Sunless
ExpressTM
Dressing Room
Assembly Manual

Limited Lifetime Warranty

Your Dressing Room is warranted to be free of structural defects in its material and workmanship, under normal use, for its lifetime. **ETS, Inc.** will repair or replace, at their discretion, any defect to the structure which affects the performance of the unit.

For 6 months from the date of purchase, **ETS, Inc.** will provide replacements for parts that prove to be defective in material or workmanship. Labor will be covered for 30 days from purchase date. Normal wear, damage from misuse or abuse, damage incurred in transit, or damage done by unauthorized repairs or modifications are not covered by this warranty.

ETS, Inc. disclaims any implied warranty of merchantability or fitness for any period beyond the expressed warranty. Some states do not allow limitations on how long an implied warranty lasts, so the above limitations may not apply to you.

No one has authority to change or modify this Limited Lifetime Warranty in any respect. To obtain service under the Limited Lifetime Warranty, contact **ETS, Inc.** at **1-800-449-3605**, and ask for the Technical Service Department.

ETS, Inc. shall not be liable for loss of use, loss of time, inconvenience, rental or substitute products, loss of business, loss of income, or any other incidental or consequential damages. Some states do not allow the exclusion or limitation of incidental or consequential damages, so the above limitation or exclusion may not apply to you.

This warranty gives you specific legal rights, and you may also have other rights which may vary from state to state.

All warranty service must be performed by an authorized service person. If your Dressing Room must be returned, all freight charges must be at your expense. Contact your place of purchase for the address of the **ETS, Inc.** Service Center nearest you. Proof of purchase is required to obtain warranty service.

This warranty covers the original purchaser only. This warranty is void if the unit is modified in any manner from its original design.

Thank you for purchasing this Dressing Room. The Dressing Room offers flexibility and versatility in salon design and expansion. Not only does the Dressing Room integrate nicely with your Sunless Express™, it allows complete privacy to the tanner without the necessity of building expensive, immovable walls in the salon.

This unit has been designed to provide you with years of happy service. Before you begin to assemble your Dressing Room, take some time to read through this entire assembly manual. Familiarize yourself with the parts, and how they go together.

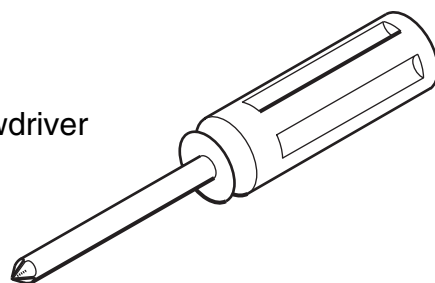
Proper assembly of this unit requires two people.

Contents

Hardware Inventory1
 Assembly Instructions2

Tools Needed

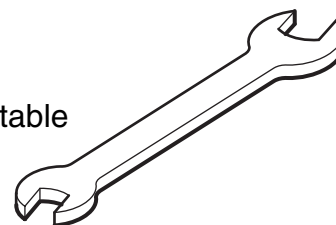
#2 Phillips Screwdriver



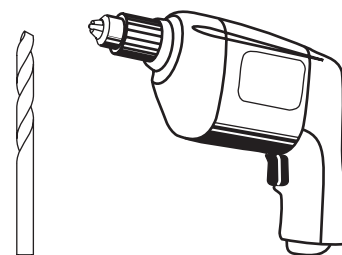
5/32" Allen Wrench



5/16" Wrench or Adjustable

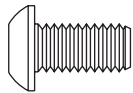
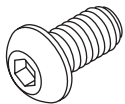


Drill with
3/16" Drill Bit

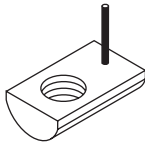


Hardware Inventory

Before you begin to assemble your dressing room, review this list of assembly hardware.



1/4-20 x 1/2" Button Head Hex Socket Screw
Quantity - 8



1/4-20 Drop-in T-nut
Quantity - 8



#10 x 3/8" Phillips Screw
Quantity - 21



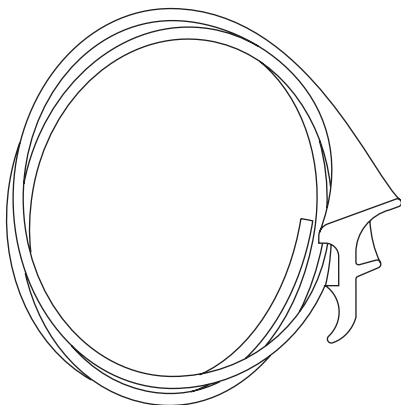
#8-32 x 3/4" Machine Screw
Quantity - 8



#8-32 Acorn Nut
Quantity - 8



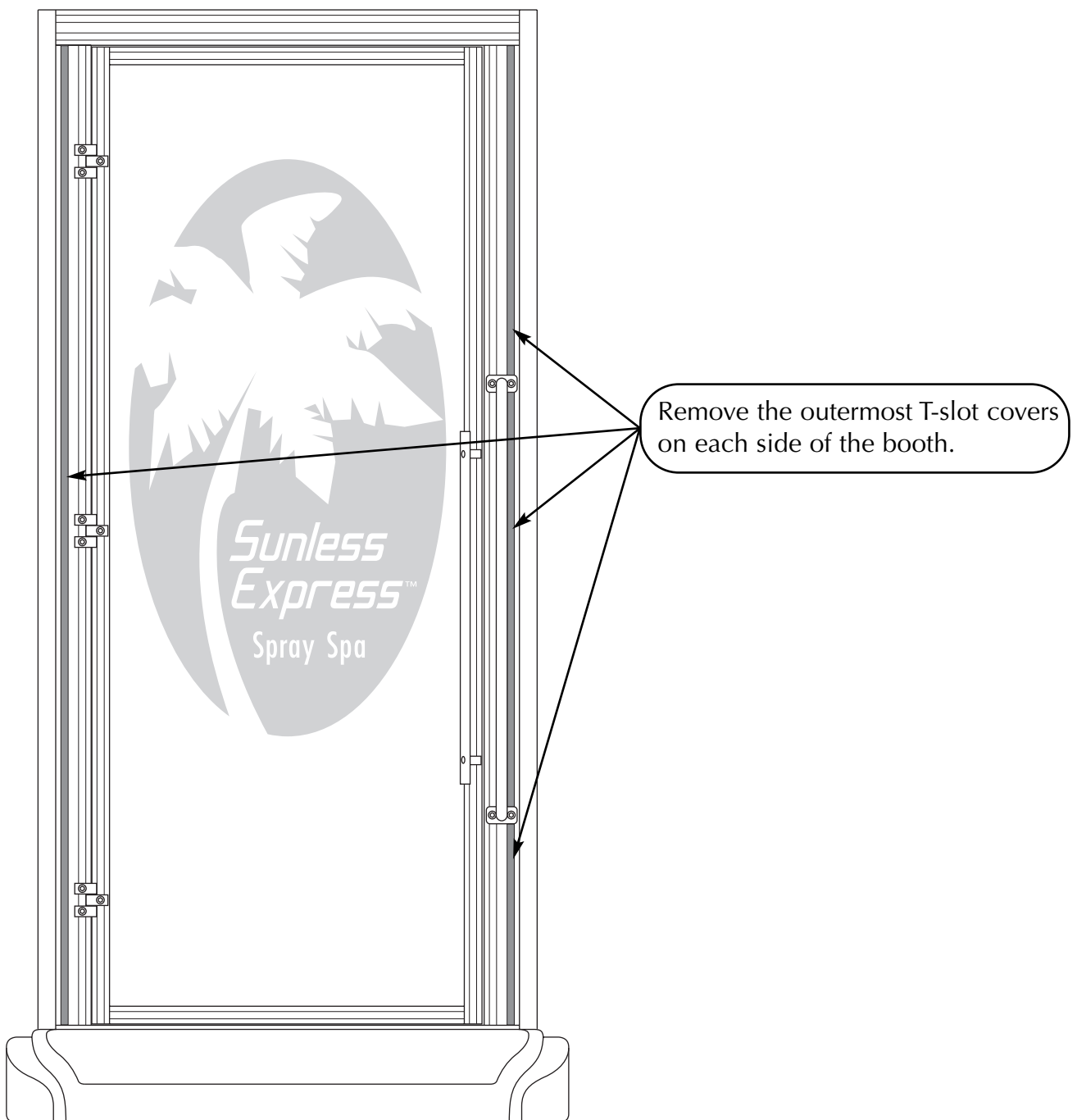
#8 x 3/8" Phillips Self-drilling Screw
Quantity - 4



Panel Gasket
Quantity - 7 1/2'

Assembly Instructions

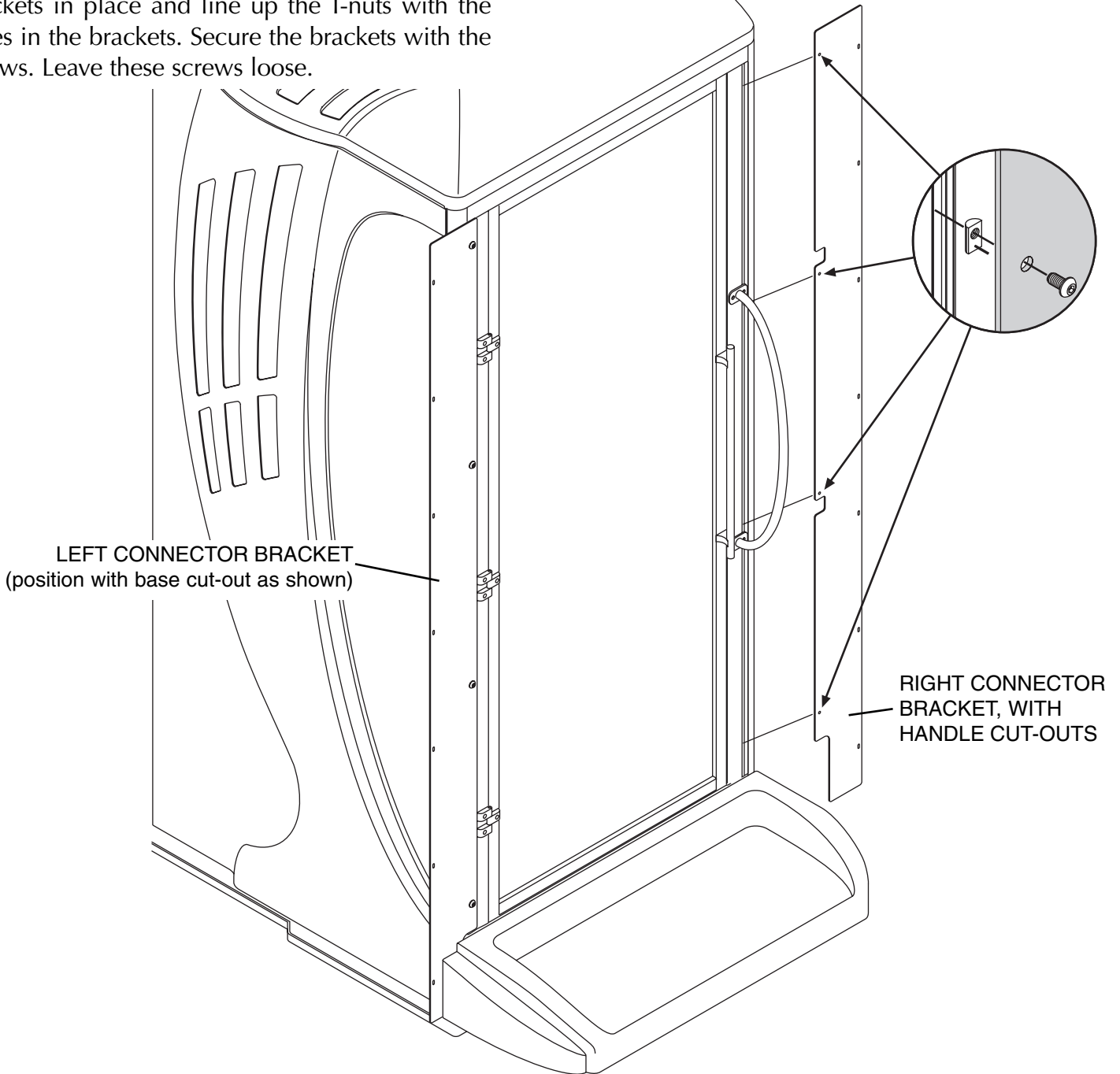
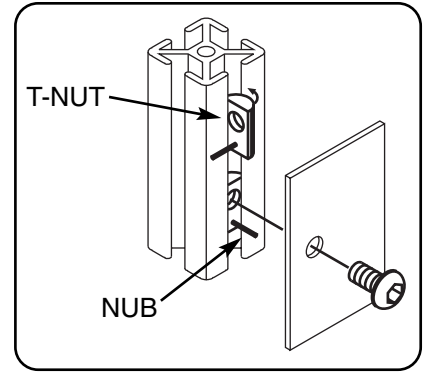
To begin, remove the grey plastic T-slot covers from the Sunless Express™ where shown below.

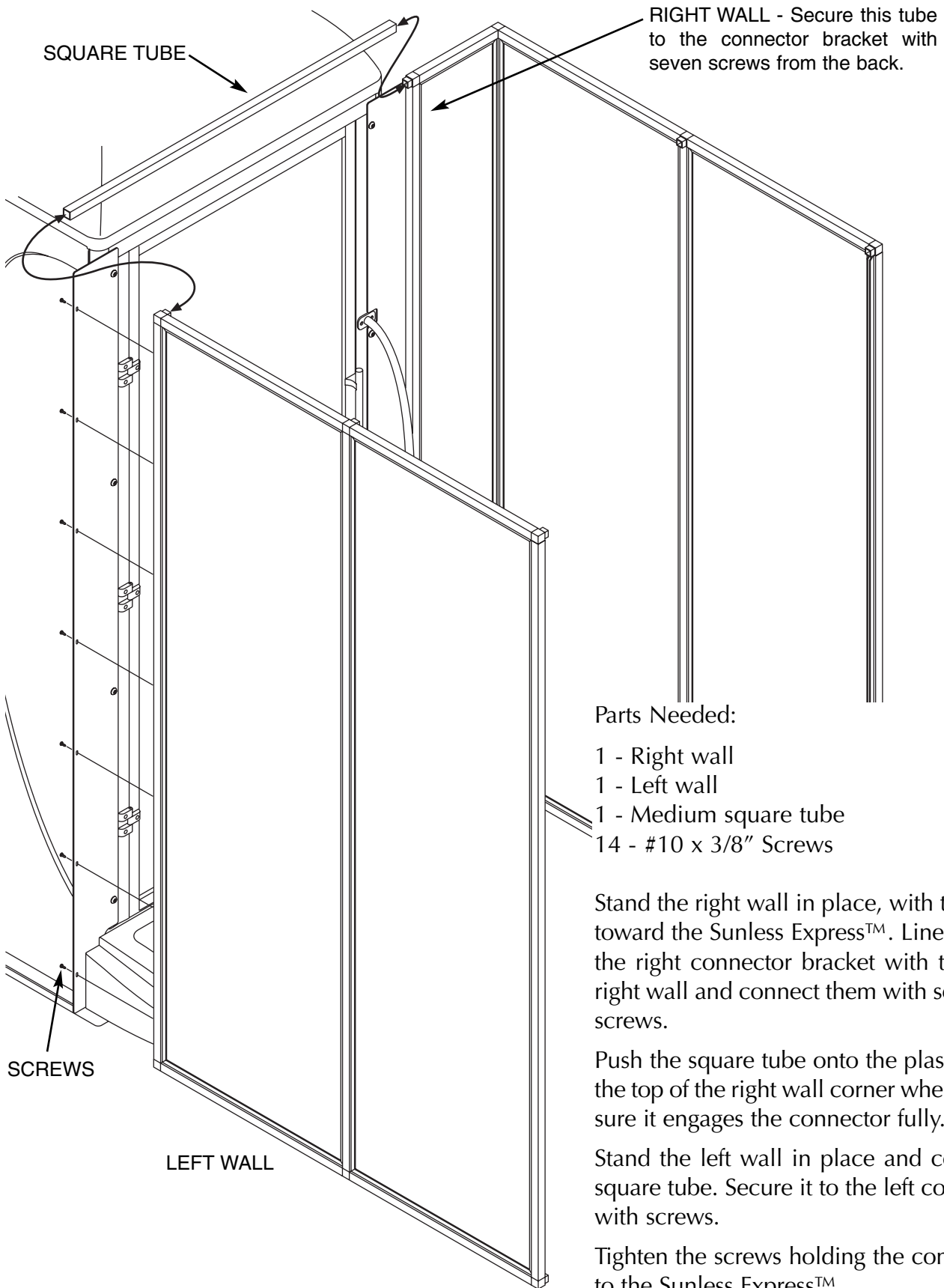


Parts Needed:

- 1 - Left connector bracket
- 1 - Right connector bracket
- 8 - 1/4-20 x 1/2" Button Head Hex Socket Screws
- 8 - 1/4-20 Drop-in T-nuts

Holding a T-nut by the small rubber "nub", slide the edge into the slot and twist into position, as shown at upper right. The rubber nub helps to hold the T-nut in position during assembly. Hold the brackets in place and line up the T-nuts with the holes in the brackets. Secure the brackets with the screws. Leave these screws loose.

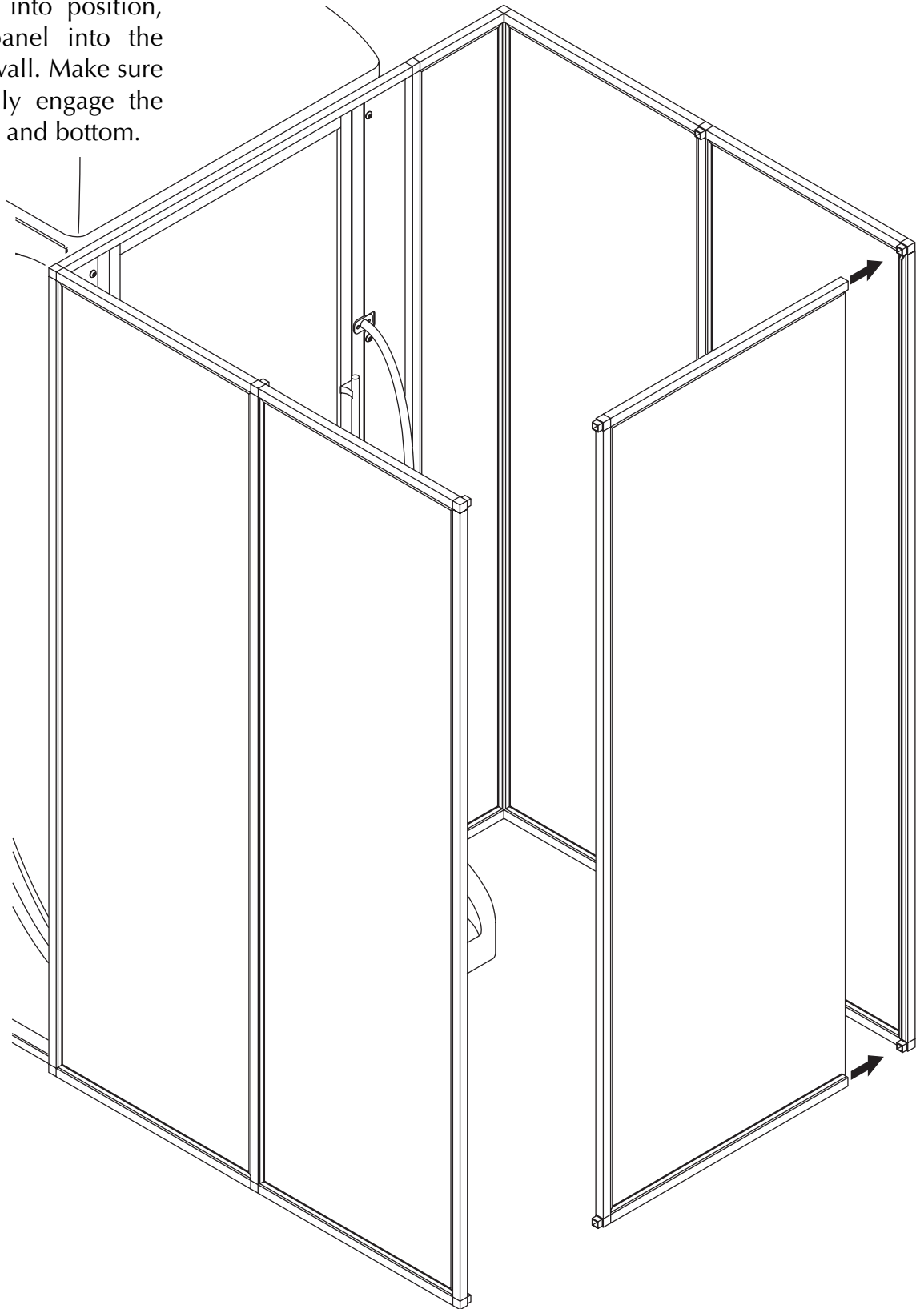




Parts Needed:

Front wall

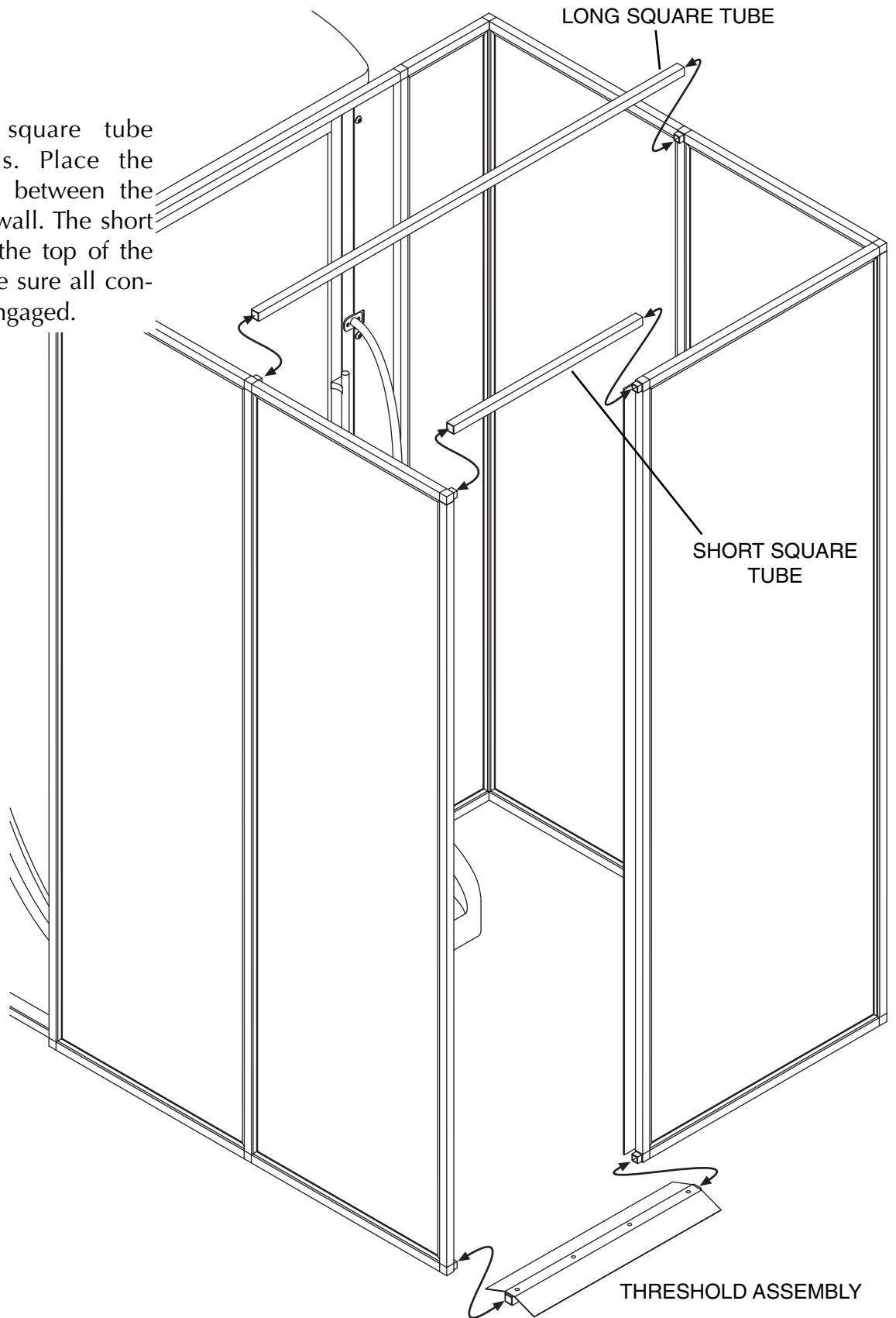
Slide the front wall into position, slipping the wall panel into the channel in the right wall. Make sure the square tubes fully engage the connectors at the top and bottom.

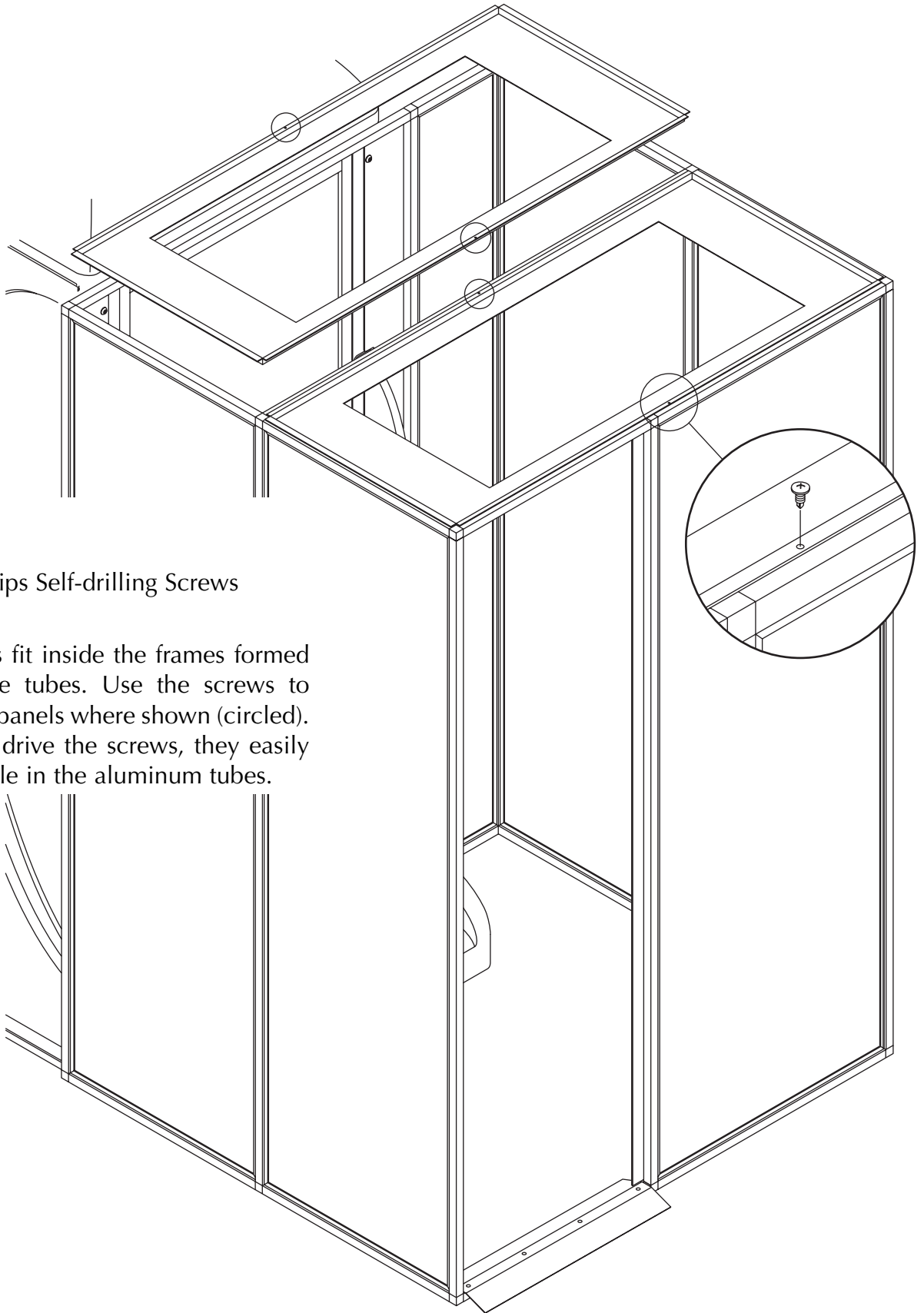


Parts Needed:

- Long square tube
- Short square tube
- Threshold assembly

Install the long square tube between the walls. Place the threshold assembly between the front wall and left wall. The short square tube forms the top of the door opening. Make sure all connections are fully engaged.





Parts Needed:

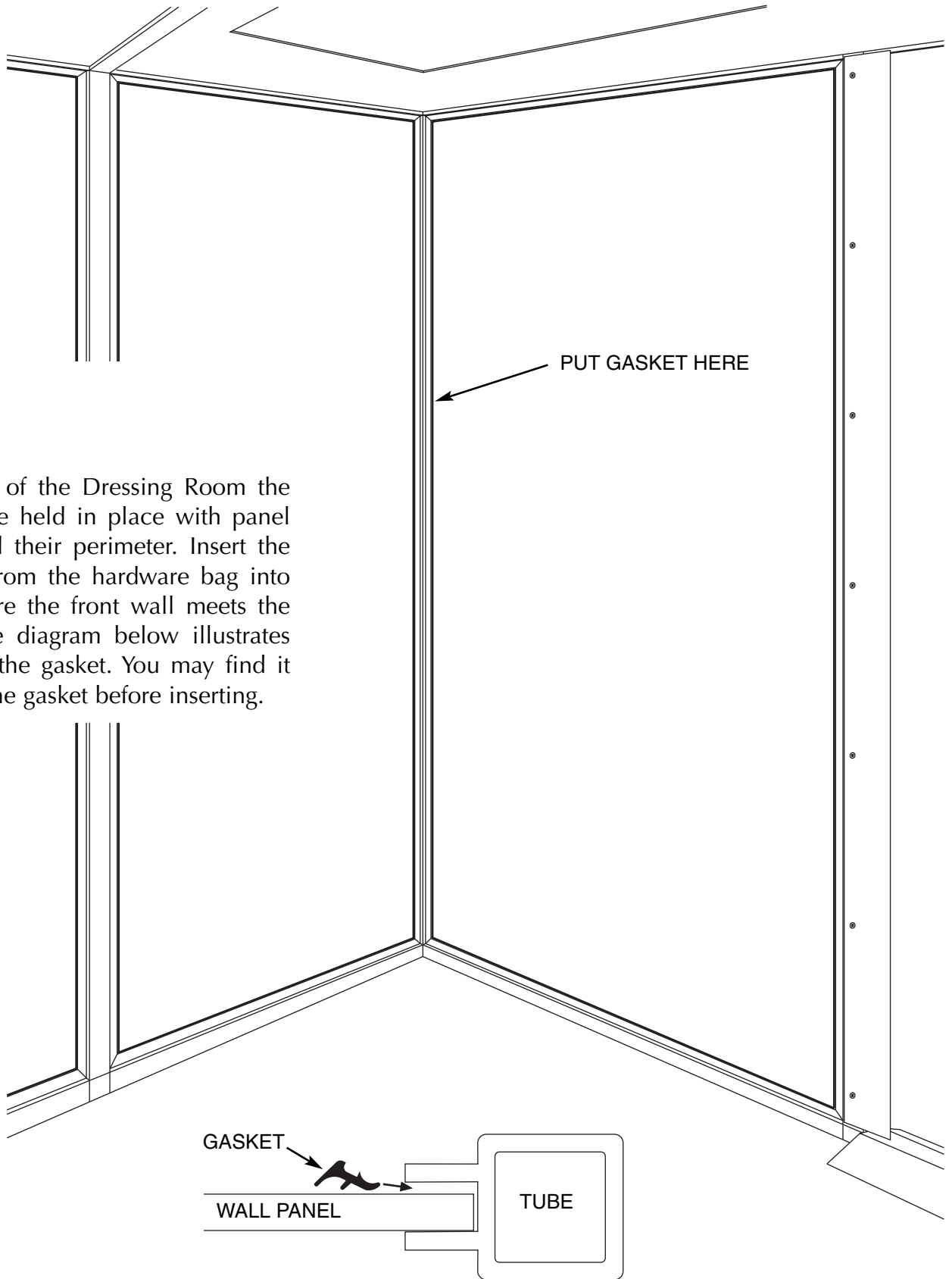
- 2 - Ceiling Panels
- 4 - #8 x 3/8" Phillips Self-drilling Screws

The ceiling panels fit inside the frames formed by the top square tubes. Use the screws to secure the ceiling panels where shown (circled). Using the drill to drive the screws, they easily form their own hole in the aluminum tubes.

Parts Needed:

Panel gasket

On the inside of the Dressing Room the wall panels are held in place with panel gaskets around their perimeter. Insert the panel gasket from the hardware bag into the seam where the front wall meets the right wall. The diagram below illustrates how to insert the gasket. You may find it easier to wet the gasket before inserting.

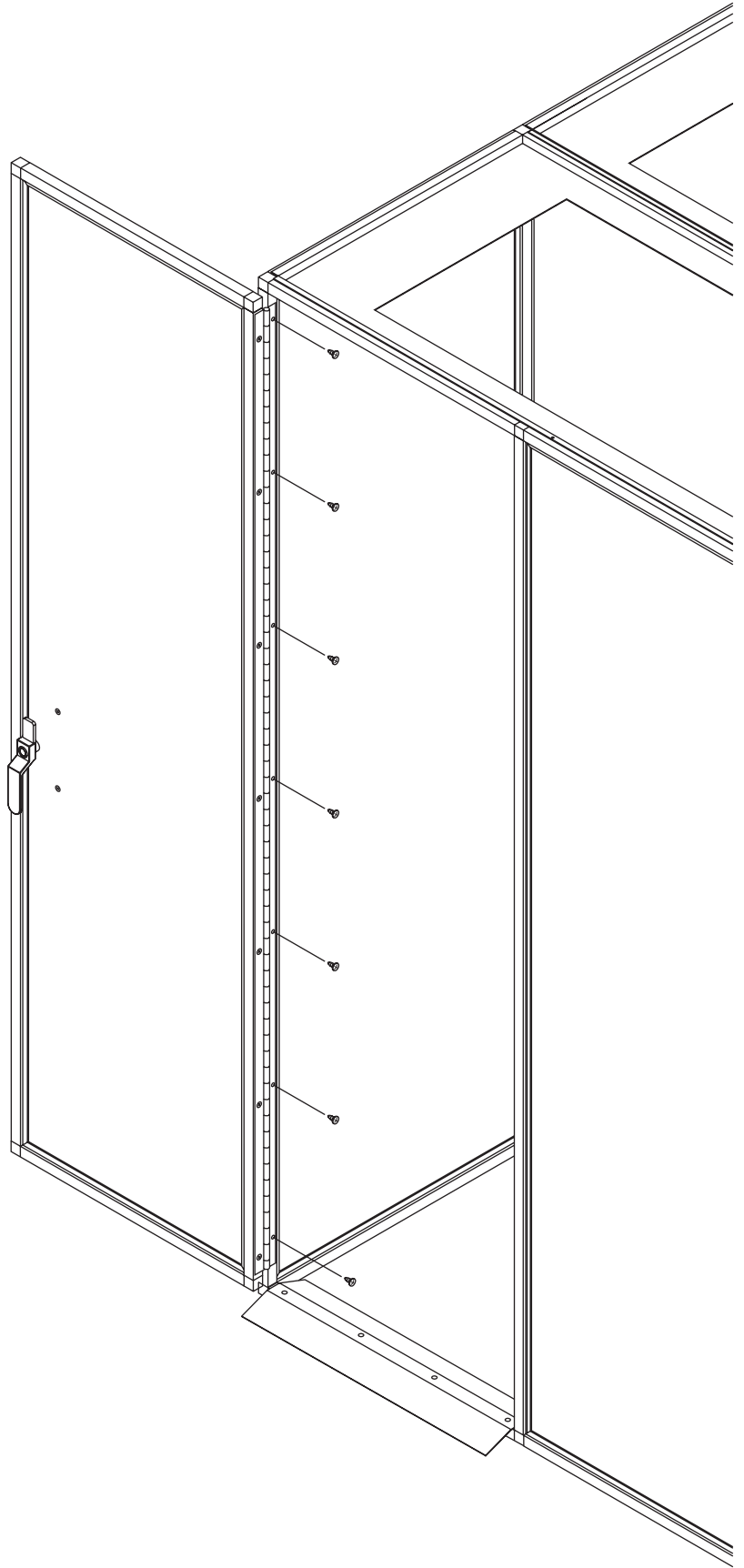


Parts Needed:

1 - Door

7 - #10 x 3/8" Screws

Stand the door up with the handle and latch closer to the bottom of the door than the top. Swing the hinge open and place the door as shown. Attach it to the left wall with the screws.

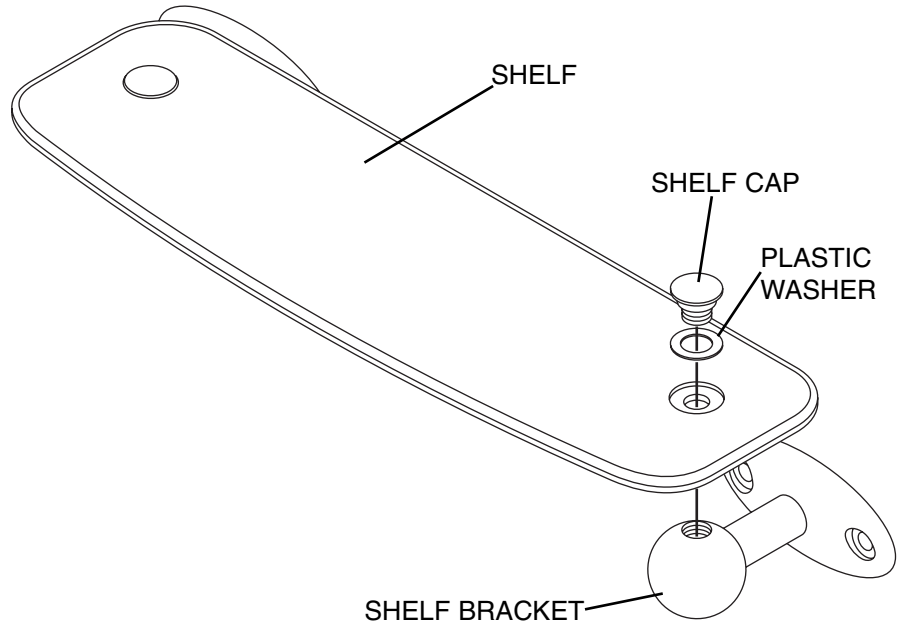


Parts Needed:

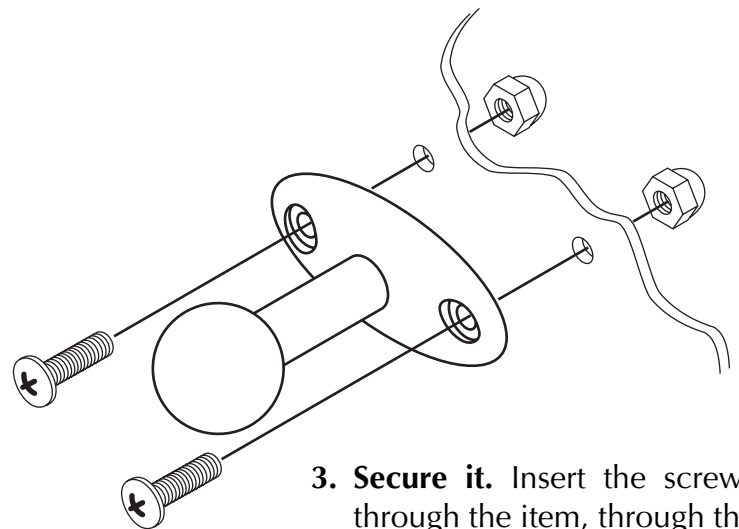
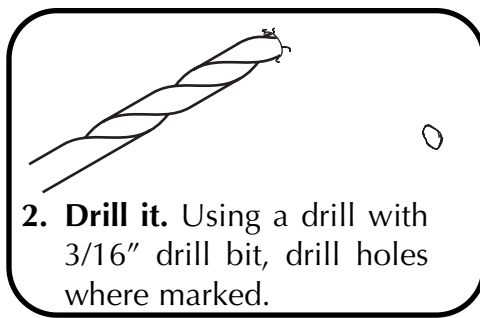
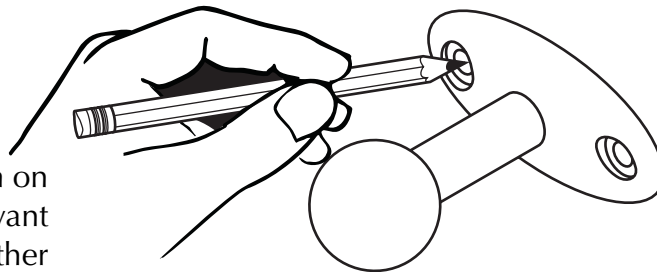
- 1 - Shelf
- 2 - Clothes hooks
- 8 - #8-32 x 3/4" Screws
- 8 - #8-32 Acorn nuts

The shelf comes disassembled. Assemble it as shown at right. Put the plastic washer in the recessed hole in the shelf and insert the shelf cap. Screw the shelf cap into the shelf bracket and tighten, keeping the shelf bracket parallel to the back of the shelf.

Mount the clothes hooks and shelf wherever is most convenient. Follow these three simple steps.



- 1. Mark it.** Place the item on the wall where you want it. Using a pencil or other marking device, mark the locations of the holes.



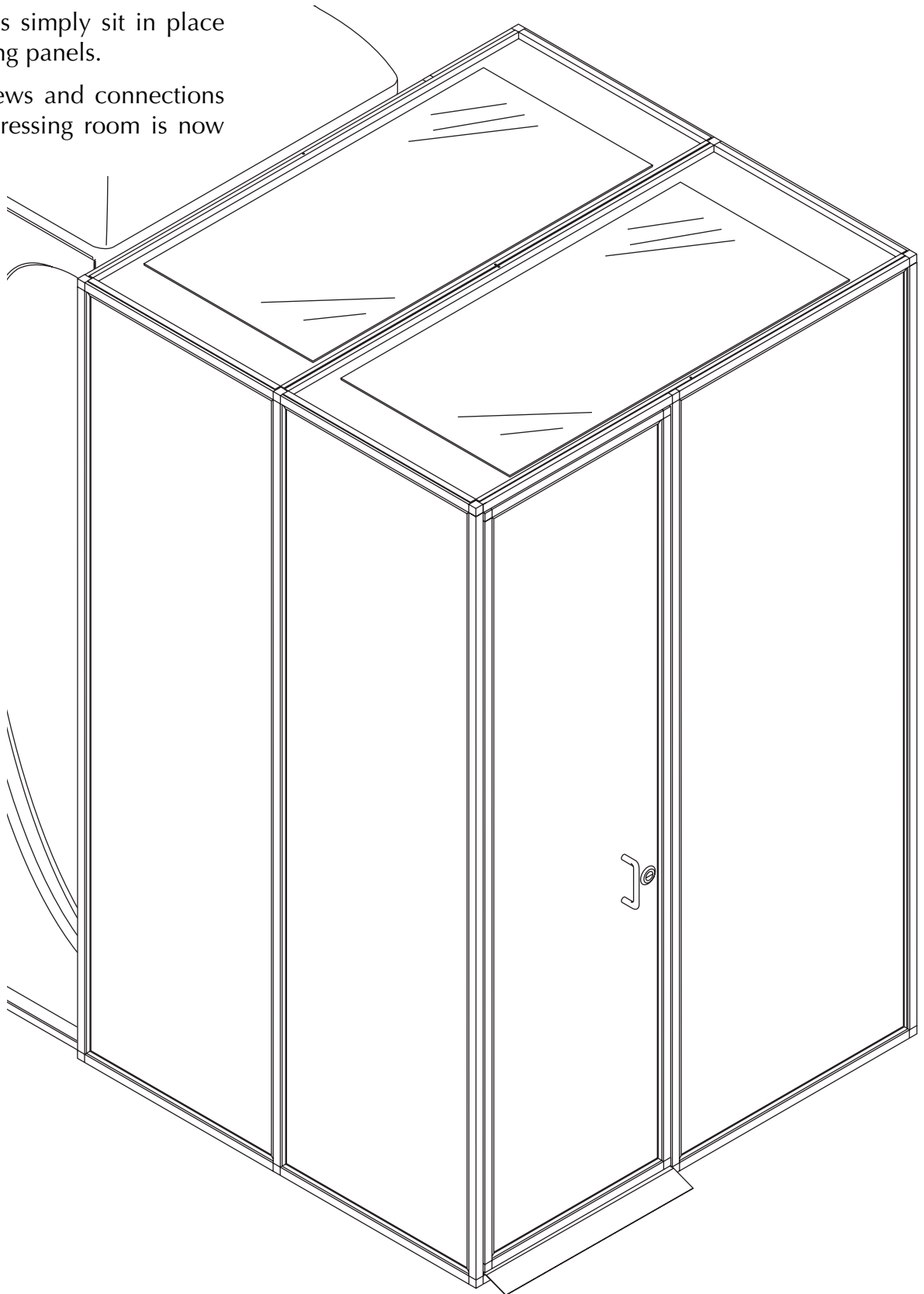
- 3. Secure it.** Insert the screws through the item, through the wall panel and secure with acorn nuts on the outside.

Parts Needed:

Skylight panels

The skylight panels simply sit in place on top of the ceiling panels.

Make sure all screws and connections are secure. Your dressing room is now ready for use.



CALL FOR SERVICE OR
QUESTIONS:
1•800•449•3605



6270 Corporate Drive
Indianapolis, IN 46278-2900

In Canada call
1-800-661-6292
or 519-469-3166

