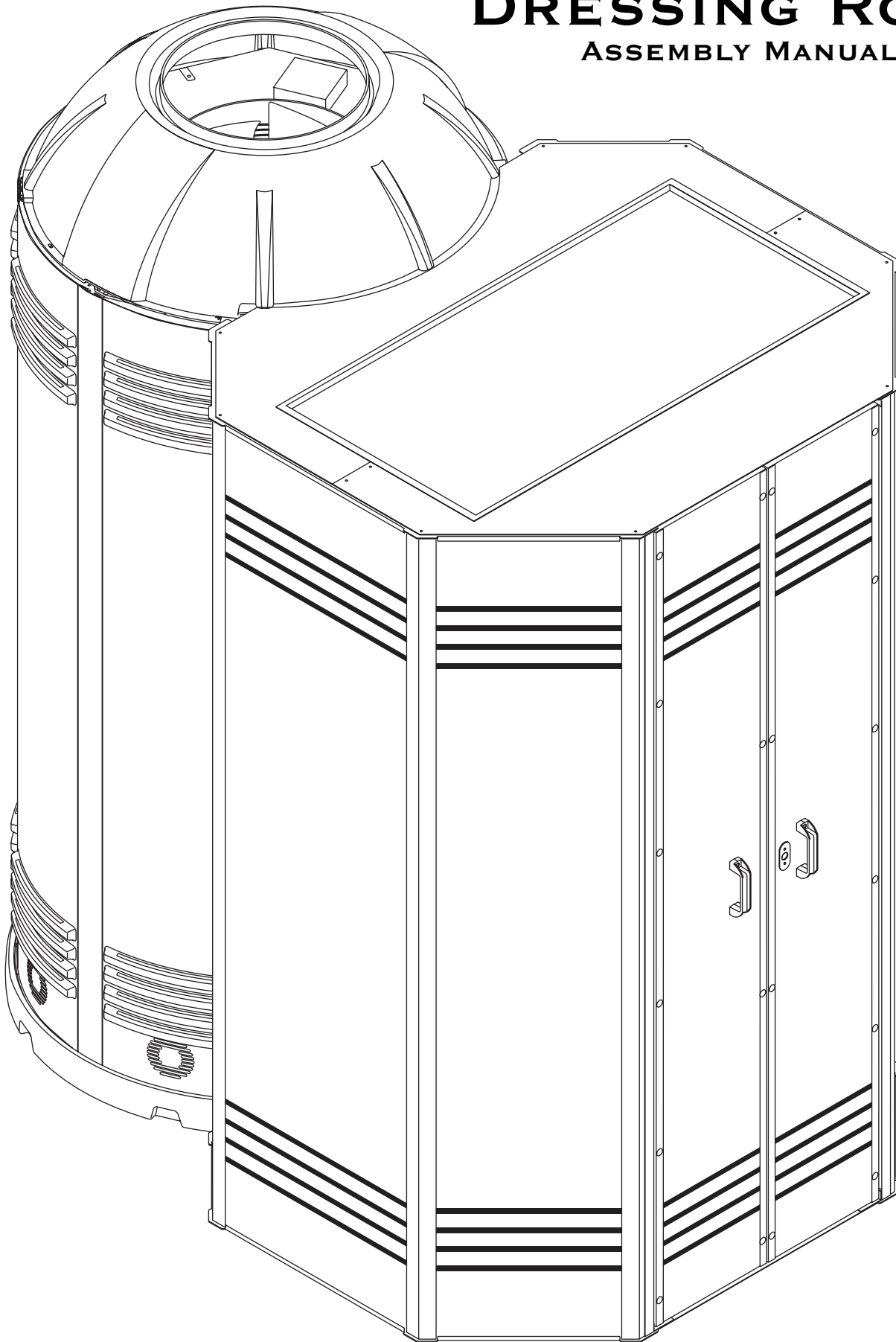


DRESSING ROOM

ASSEMBLY MANUAL



Limited Lifetime Warranty

Your Dressing Room is warranted to be free of structural defects in its material and workmanship, under normal use, for its lifetime. **ETS, Inc.** will repair or replace, at their discretion, any defect to the structure which affects the performance of the unit.

For 6 months from the date of purchase, **ETS, Inc.** will provide replacements for parts that prove to be defective in material or workmanship. Labor will be covered for 30 days from purchase date. Normal wear, damage from misuse or abuse, damage incurred in transit, or damage done by unauthorized repairs or modifications are not covered by this warranty.

ETS, Inc. disclaims any implied warranty of merchantability or fitness for any period beyond the expressed warranty. Some states do not allow limitations on how long an implied warranty lasts, so the above limitations may not apply to you.

No one has authority to change or modify this Limited Lifetime Warranty in any respect. To obtain service under the Limited Lifetime Warranty, contact **ETS, Inc.** at **1-800-449-3605**, and ask for the Technical Service Department.

ETS, Inc. shall not be liable for loss of use, loss of time, inconvenience, rental or substitute products, loss of business, loss of income, or any other incidental or consequential damages. Some states do not allow the exclusion or limitation of incidental or consequential damages, so the above limitation or exclusion may not apply to you.

This warranty gives you specific legal rights, and you may also have other rights which may vary from state to state.

All warranty service must be performed by an authorized service person. If your Dressing Room must be returned, all freight charges must be at your expense. Contact your place of purchase for the address of the **ETS, Inc.** Service Center nearest you. Proof of purchase is required to obtain warranty service.

This warranty covers the original purchaser only. This warranty is void if the unit is modified in any manner from its original design.

Thank you for purchasing this Dressing Room. The Dressing Room offers complete flexibility and versatility in salon design and expansion. Not only does the Dressing Room integrate nicely with your tanning booth, it allows complete privacy to the tanner without the necessity of building expensive, immovable walls in the salon.

This unit has been designed to provide you with years of happy service. Before you begin to assemble your Dressing Room, take some time to read through this entire assembly manual. Familiarize yourself with the parts, and how they go together.

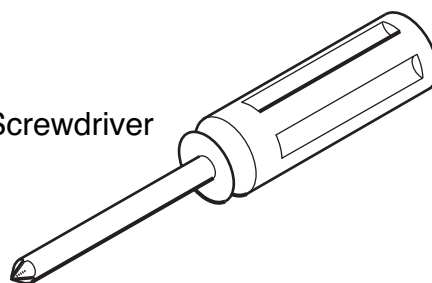
Proper assembly of this unit requires two people.

Contents

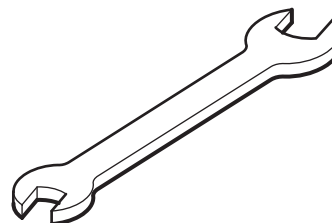
Parts Inventory1
Assembly Instructions4

Tools Needed

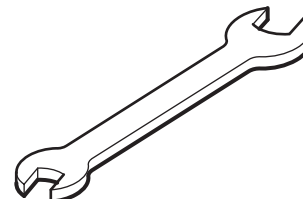
#2 Phillips Screwdriver



3/8" Wrench

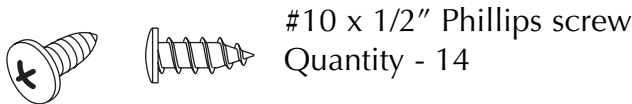


11/32" Wrench

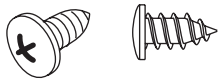


Parts Inventory

Before you begin to assemble your dressing room, review this list of parts. It will help identify the various items to aid in assembly.



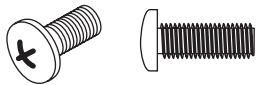
#10 x 1/2" Phillips screw
Quantity - 14



#10 x 3/8" Phillips screw
Quantity - 22



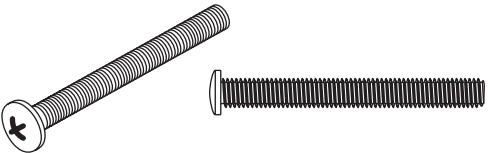
#6 x 3/8" Phillips screw
Quantity - 18



#10-32 x 1/2" Phillips
machine screw
Quantity - 4



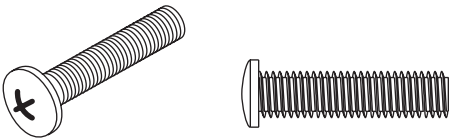
#10-32 Flange nut
Quantity - 4



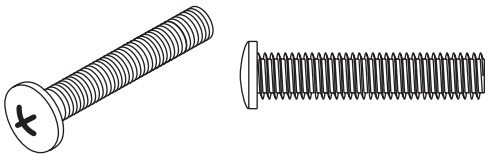
#8-32 x 1 3/8" Phillips
machine screw
Quantity - 2



#8-32 Flange nut
Quantity - 2



M6 x 25mm Phillips
machine screw
Quantity - 2



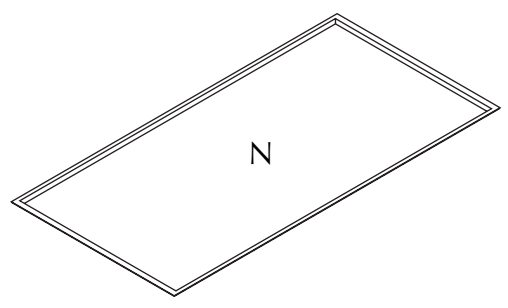
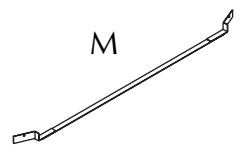
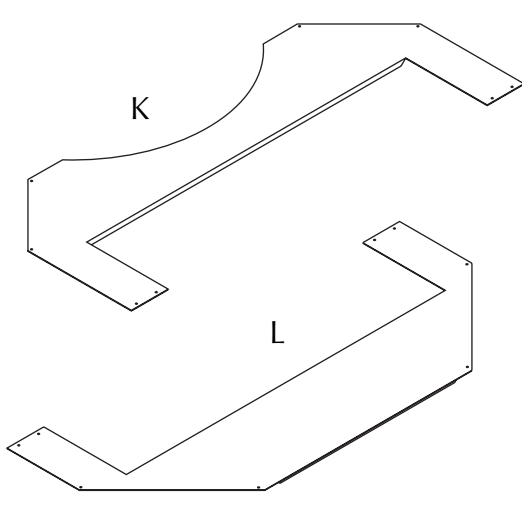
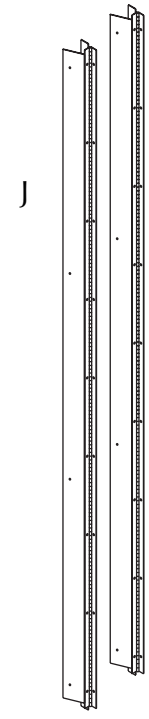
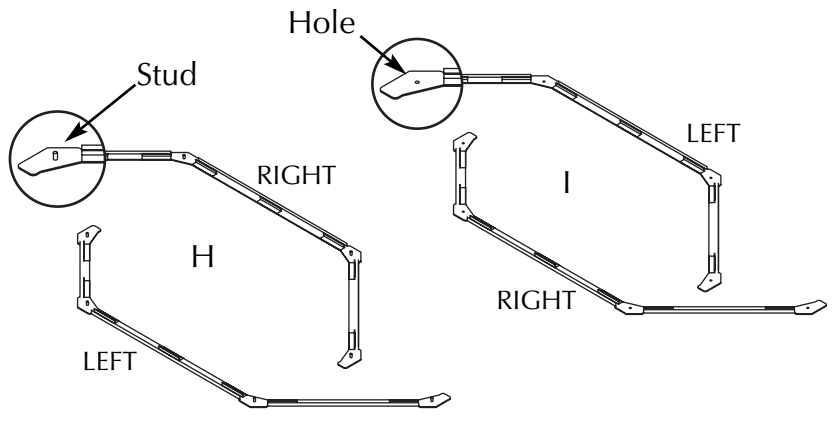
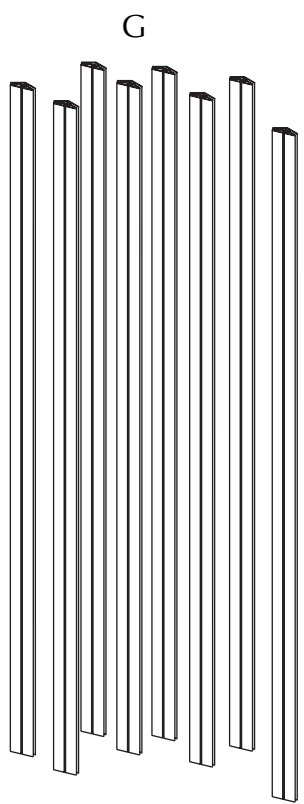
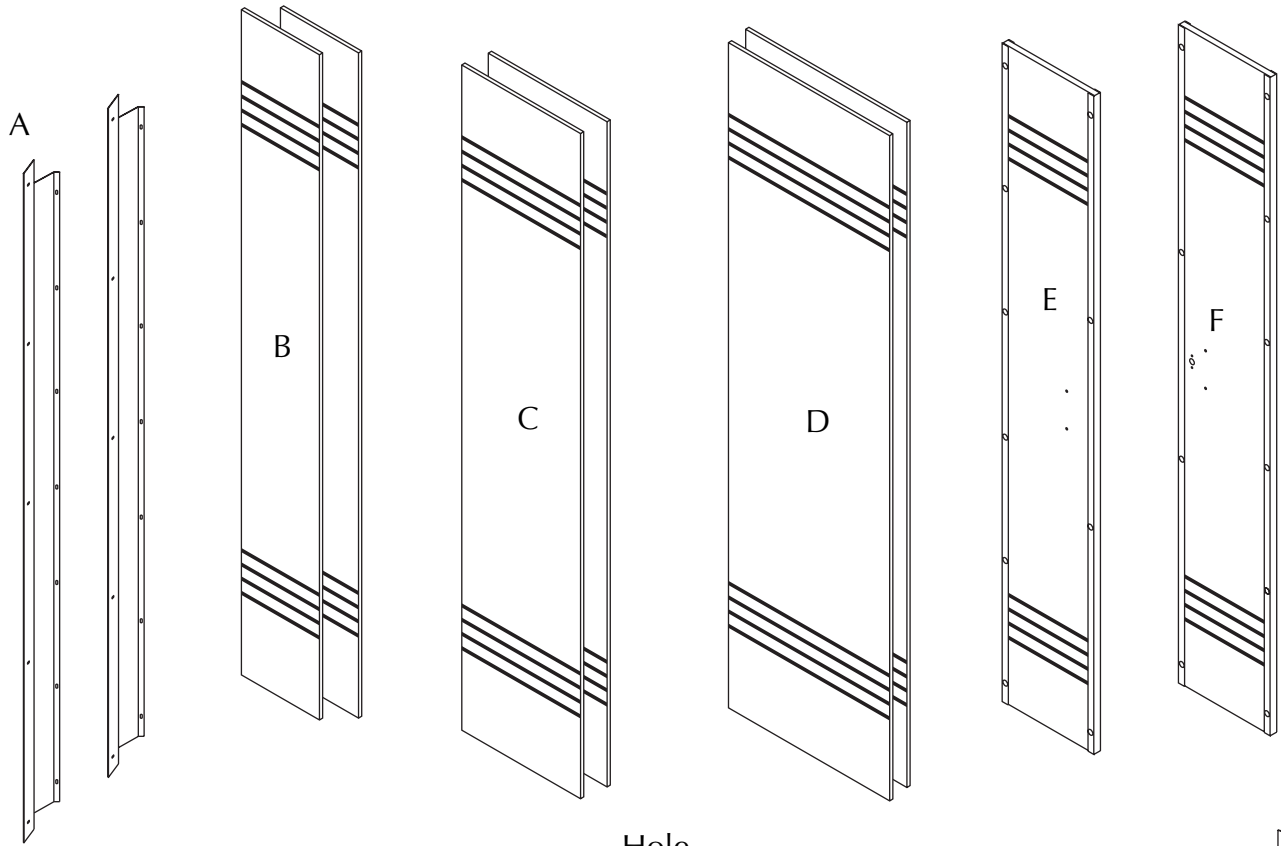
M6 x 30mm Phillips
machine screw
Quantity - 2

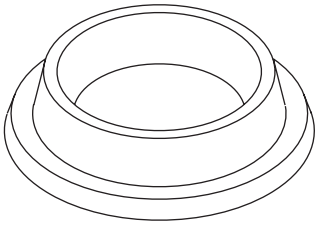


M6 Hex nut
Quantity - 4

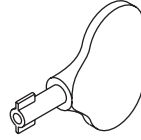
SEE OPPOSITE PAGE

- A. Booth to Extrusion Bracket
Quantity - 2
- B. 11 1/2" Wall Panel
Quantity - 2
- C. 17 1/2" Wall Panel
Quantity - 2
- D. 23 3/4" Wall Panel
Quantity - 2
- E. Left Door
Quantity - 1
- F. Right Door
Quantity - 1
- G. Extrusion
Quantity - 8
- H. Base Plate, Left and Right
(with studs)
Quantity - 2
- I. Top Plate, Left and Right
(with holes)
Quantity - 2
- J. Door Jamb (hinge attached)
Quantity - 2
- K. Rear Ceiling Panel
Quantity - 1
- L. Front Ceiling Panel
Quantity - 1
- M. Threshold
Quantity - 1
- N. Skylight
Quantity - 1

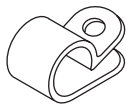




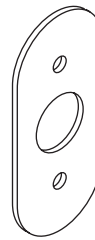
Door Bumper
Quantity - 2



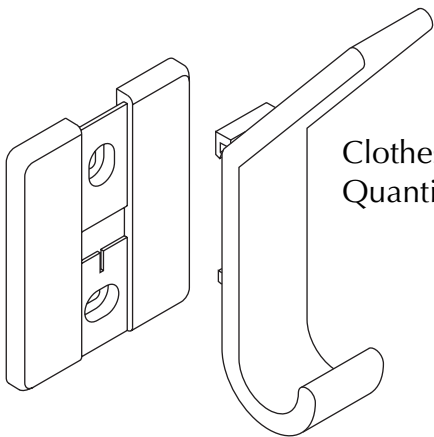
Latch Key
Quantity - 1



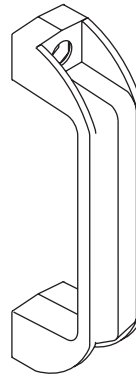
Latch Guide Clip
Quantity - 2



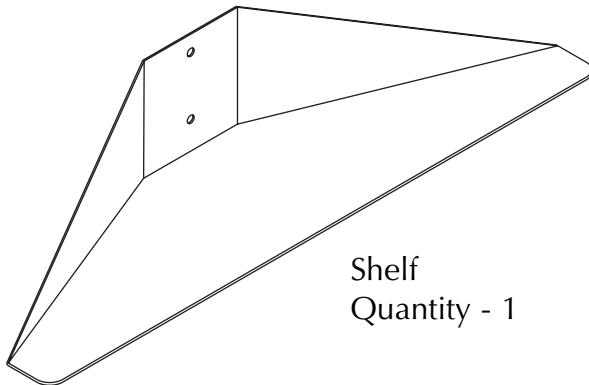
Keyhole Plate
Quantity - 1



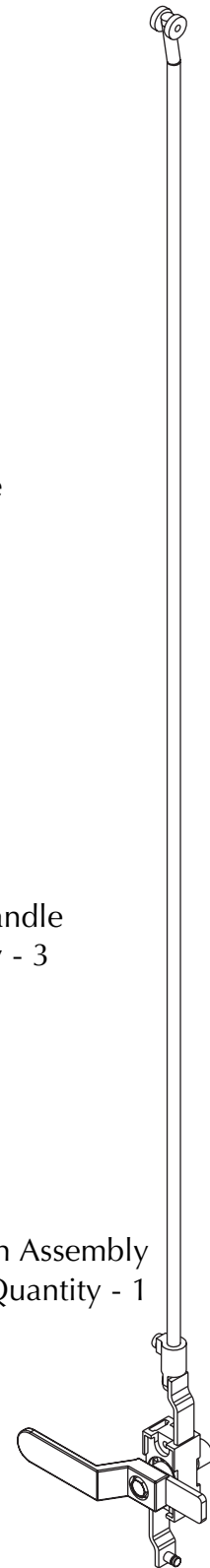
Clothes Hook
Quantity - 2



Door Handle
Quantity - 3



Shelf
Quantity - 1

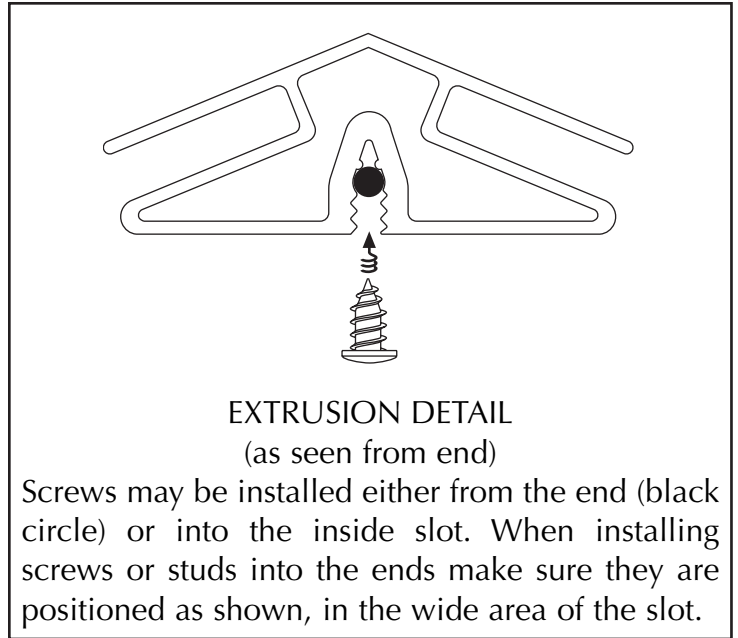


Latch Assembly
Quantity - 1

Assembly Instructions

You may find it helpful to read through the entire assembly procedure before beginning. Familiarize yourself with the parts and how they go together. This Dressing Room was designed, from the very beginning, with ease of assembly in mind. The Extrusions that make up the structure of the unit hold the panels in place and also accept screws from different angles (see detail at right). The screw slot that runs the length of the Extrusion allows the Clothes Hooks and Shelf to be installed wherever it seems most convenient. And they may be repositioned if needed. You may also purchase additional Hooks and Shelves.

To begin, remove the two plastic trim profiles from your booth, as shown below.



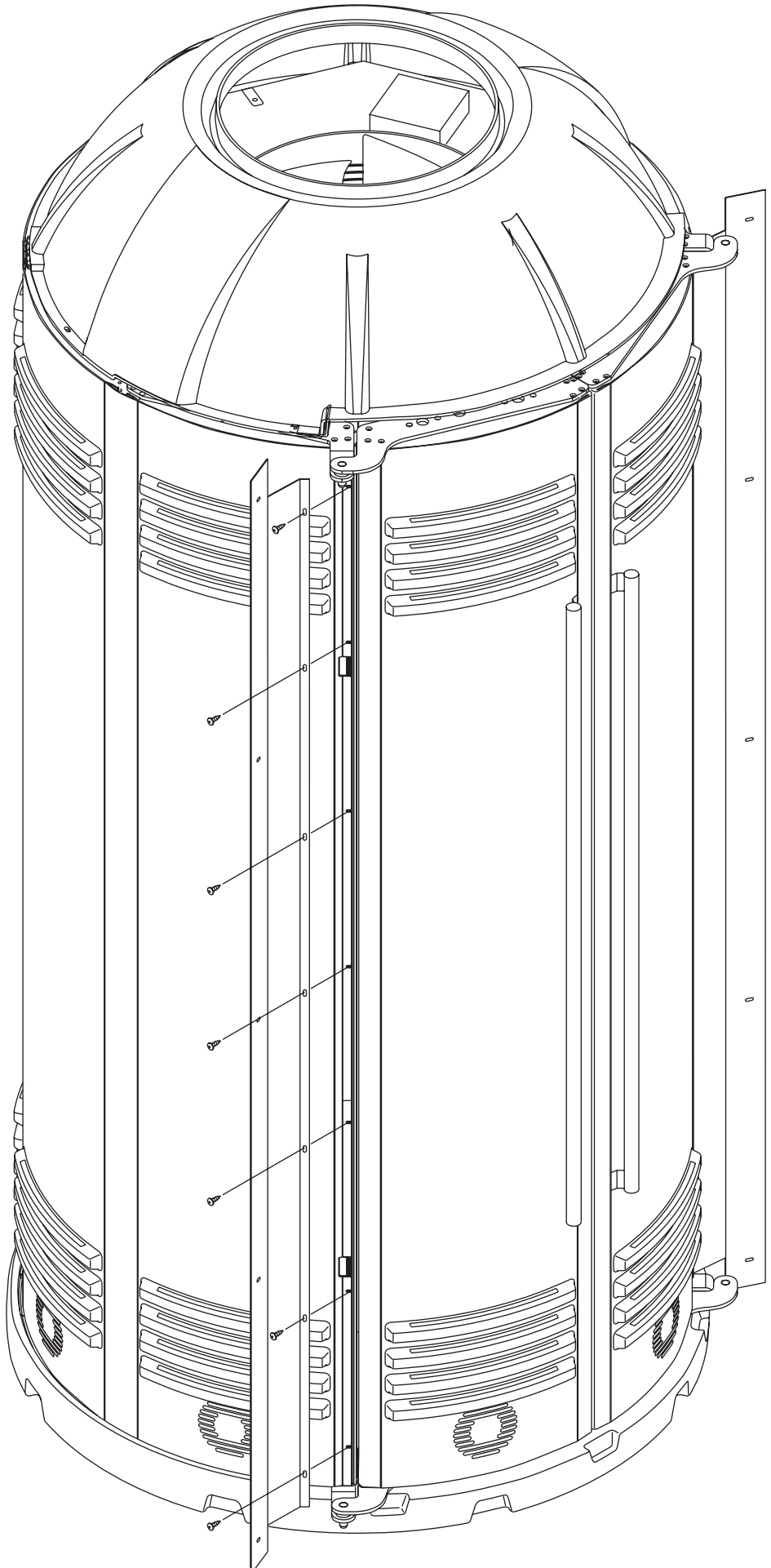
Remove the end profile on each side of the booth by prying the outside lip toward you as shown.

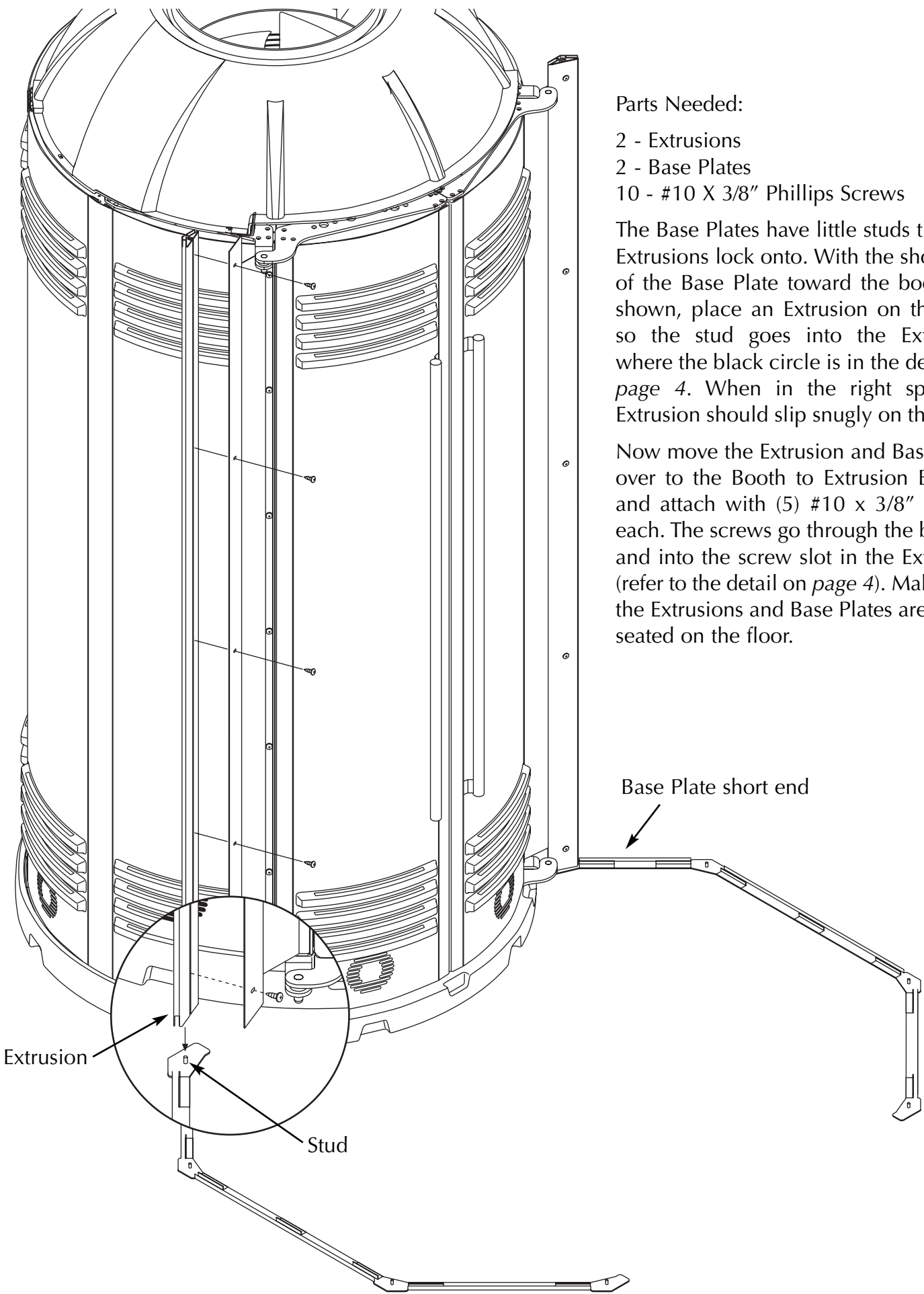
Parts Needed:

2 - Booth to Extrusion Brackets

Remove the screws used to hold the booth cover panel in place. There should be (7) of them on each side. Use these screws to attach the Booth to Extrusion Brackets to the booth in the same holes the screws came out of, as shown.

Make sure the brackets are centered between the hinges and extend out behind the hinges when looking at the front of the booth.



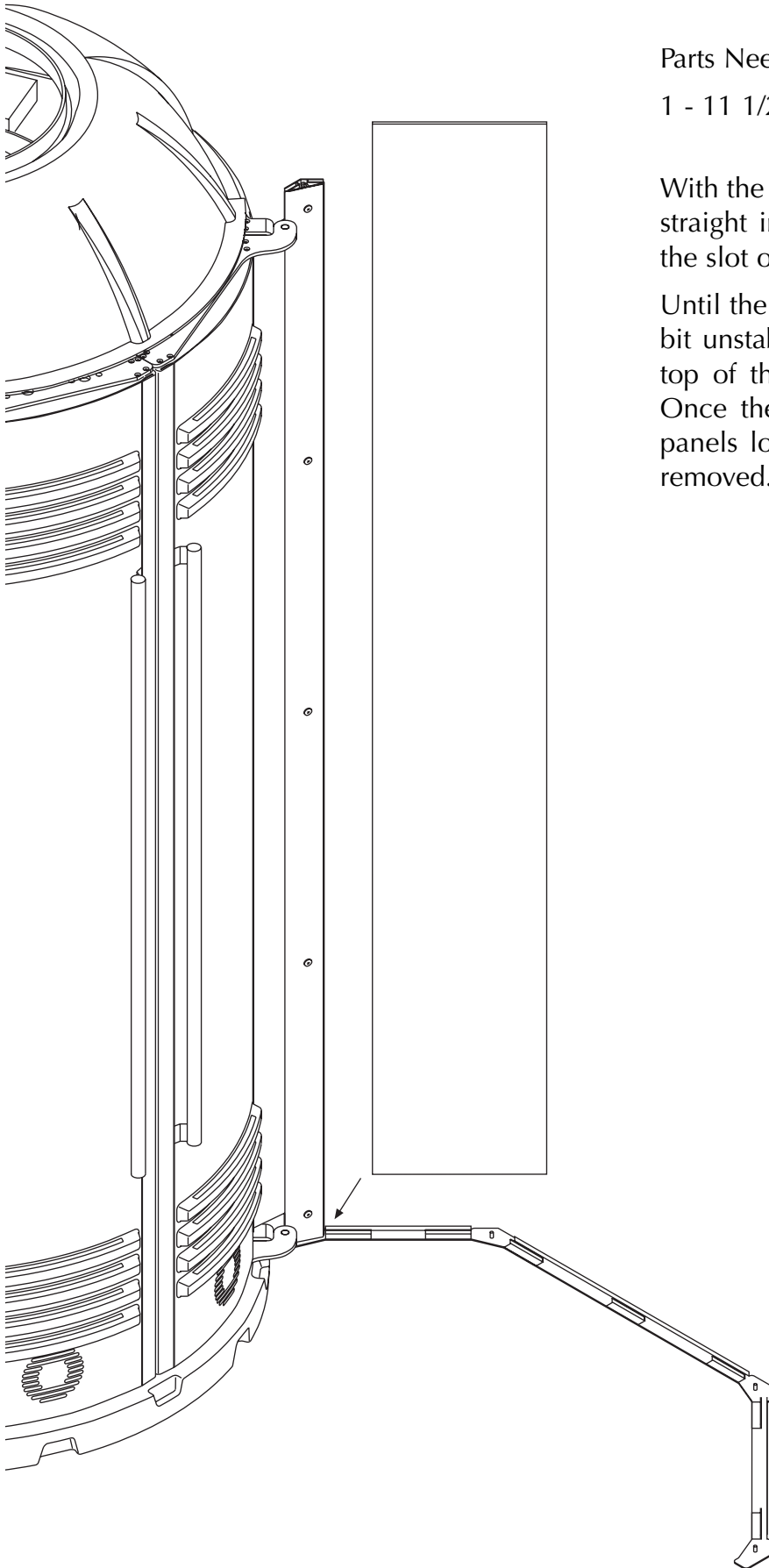


Parts Needed:

- 2 - Extrusions
- 2 - Base Plates
- 10 - #10 X 3/8" Phillips Screws

The Base Plates have little studs that the Extrusions lock onto. With the short end of the Base Plate toward the booth, as shown, place an Extrusion on the stud so the stud goes into the Extrusion where the black circle is in the detail on *page 4*. When in the right spot the Extrusion should slip snugly on the stud.

Now move the Extrusion and Base Plate over to the Booth to Extrusion Bracket and attach with (5) #10 x 3/8" screws each. The screws go through the bracket and into the screw slot in the Extrusion (refer to the detail on *page 4*). Make sure the Extrusions and Base Plates are firmly seated on the floor.



Parts Needed:

1 - 11 1/2" Wall Panel

With the striped side facing out, slide the Wall Panel straight into the Extrusion slot and then down into the slot on the Base Plate.

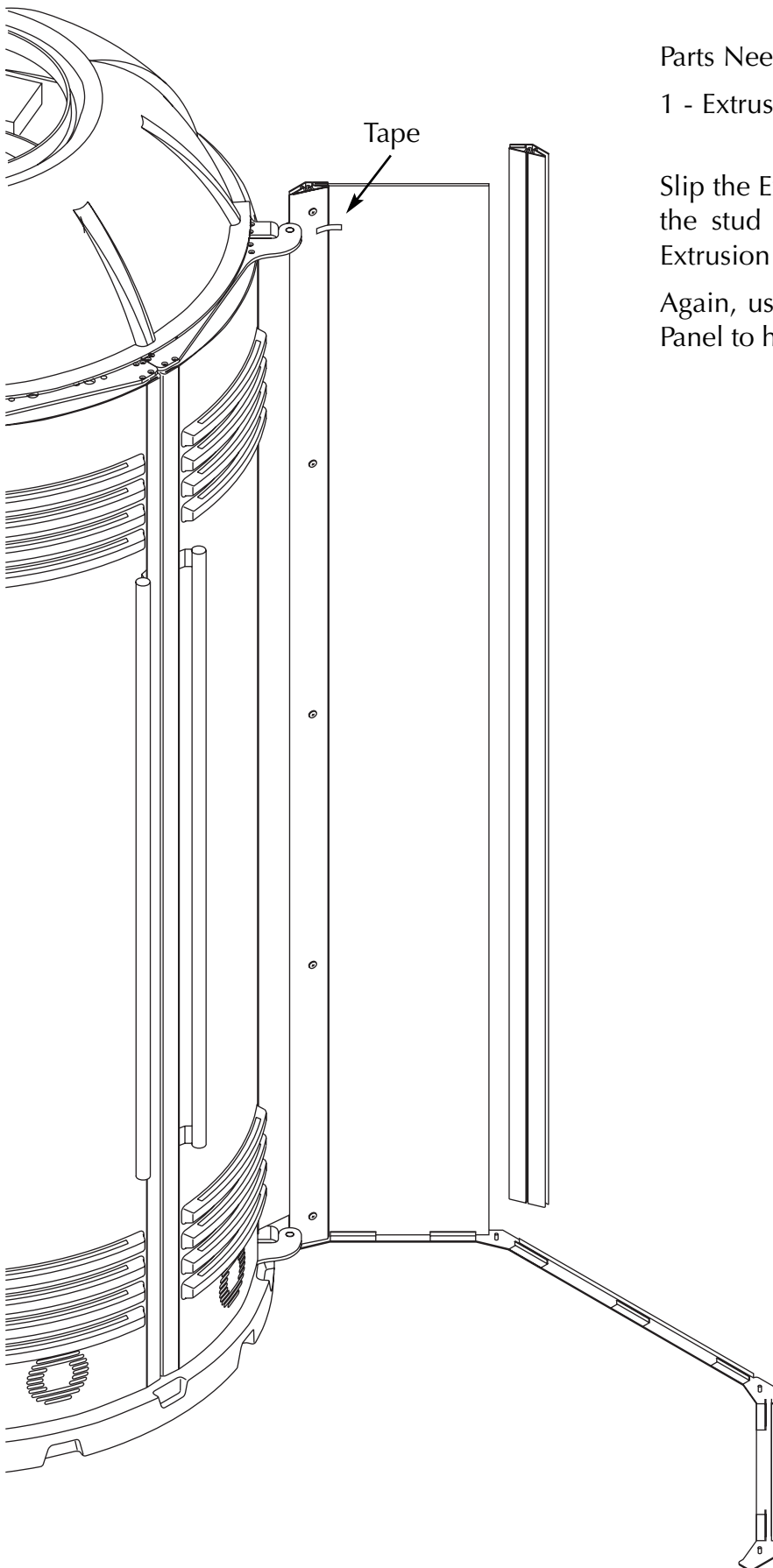
Until the walls are completely assembled they are a bit unstable. Use a piece of masking tape near the top of the Wall Panel to hold it to the Extrusion. Once the unit is assembled the walls and ceiling panels lock together securely and the tape will be removed.

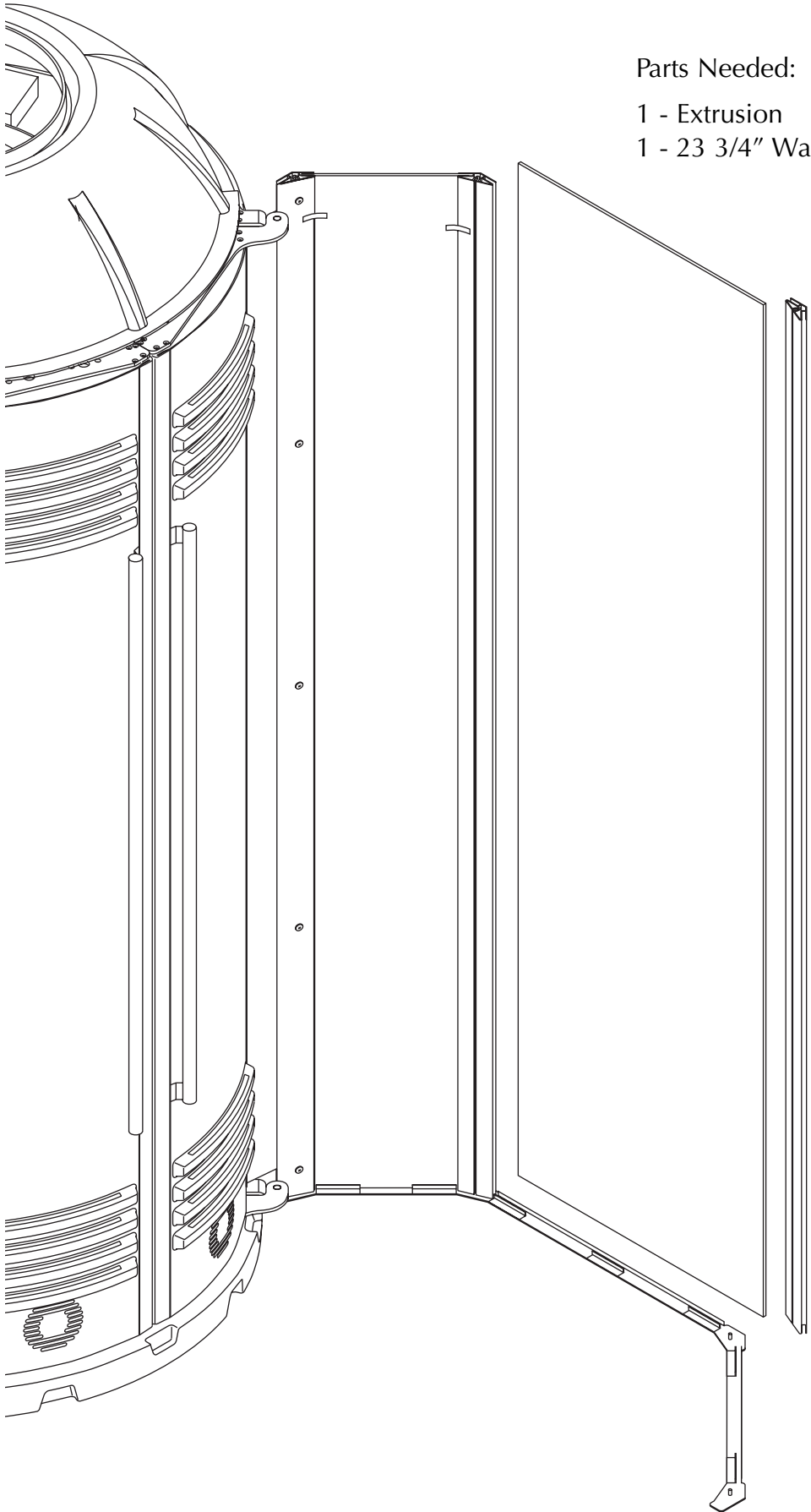
Parts Needed:

1 - Extrusion

Slip the Extrusion onto the Wall Panel and then onto the stud directly below it on the Base Plate. The Extrusion should sit completely on the Base Plate.

Again, use a piece of tape near the top of the Wall Panel to hold the Extrusion in place during assembly.





Parts Needed:

- 1 - Extrusion
- 1 - 23 3/4" Wall Panel

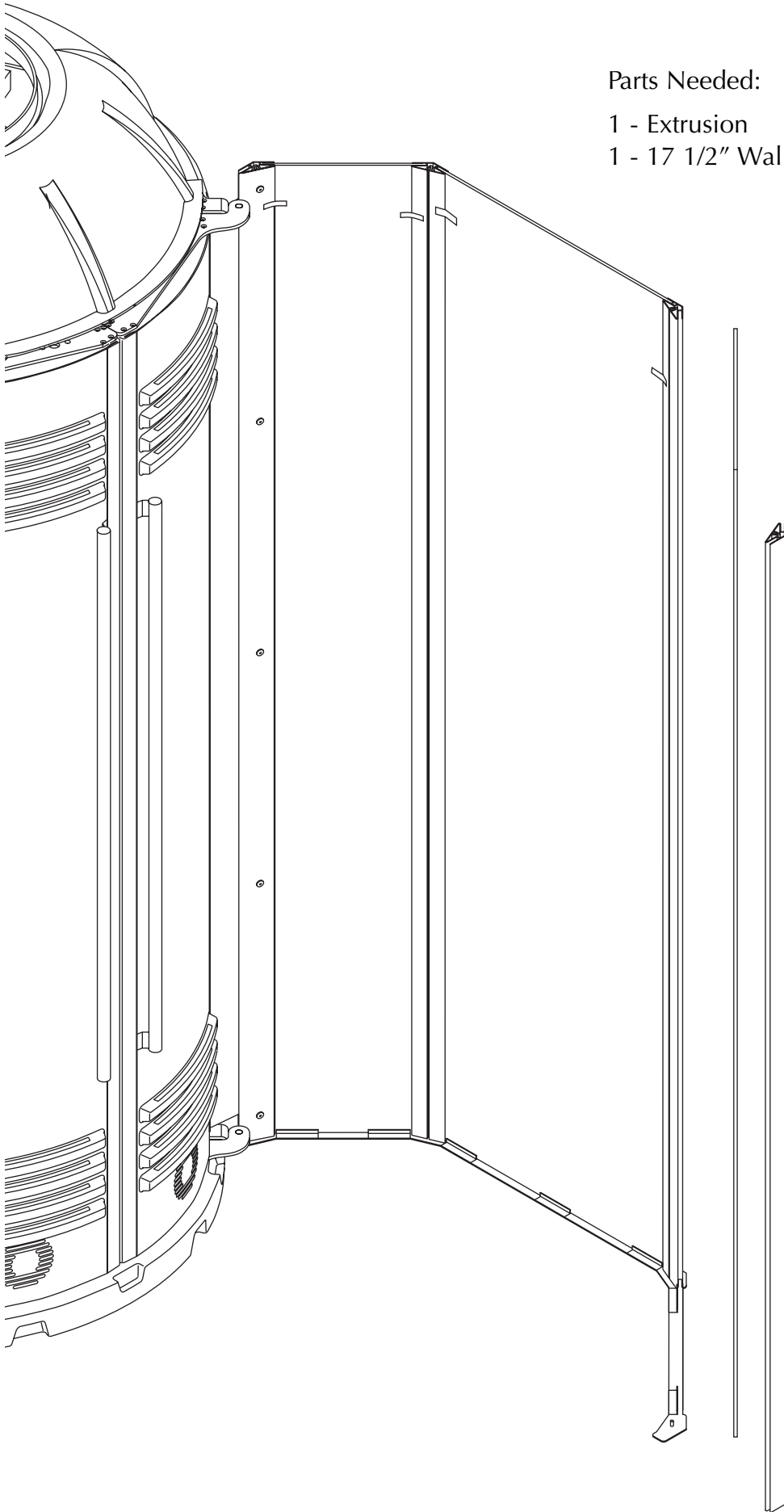
Just as before, Slide the Wall Panel into the slot in the previously installed Extrusion and down onto the Base Plate. Install the next Extrusion. Don't forget the tape.

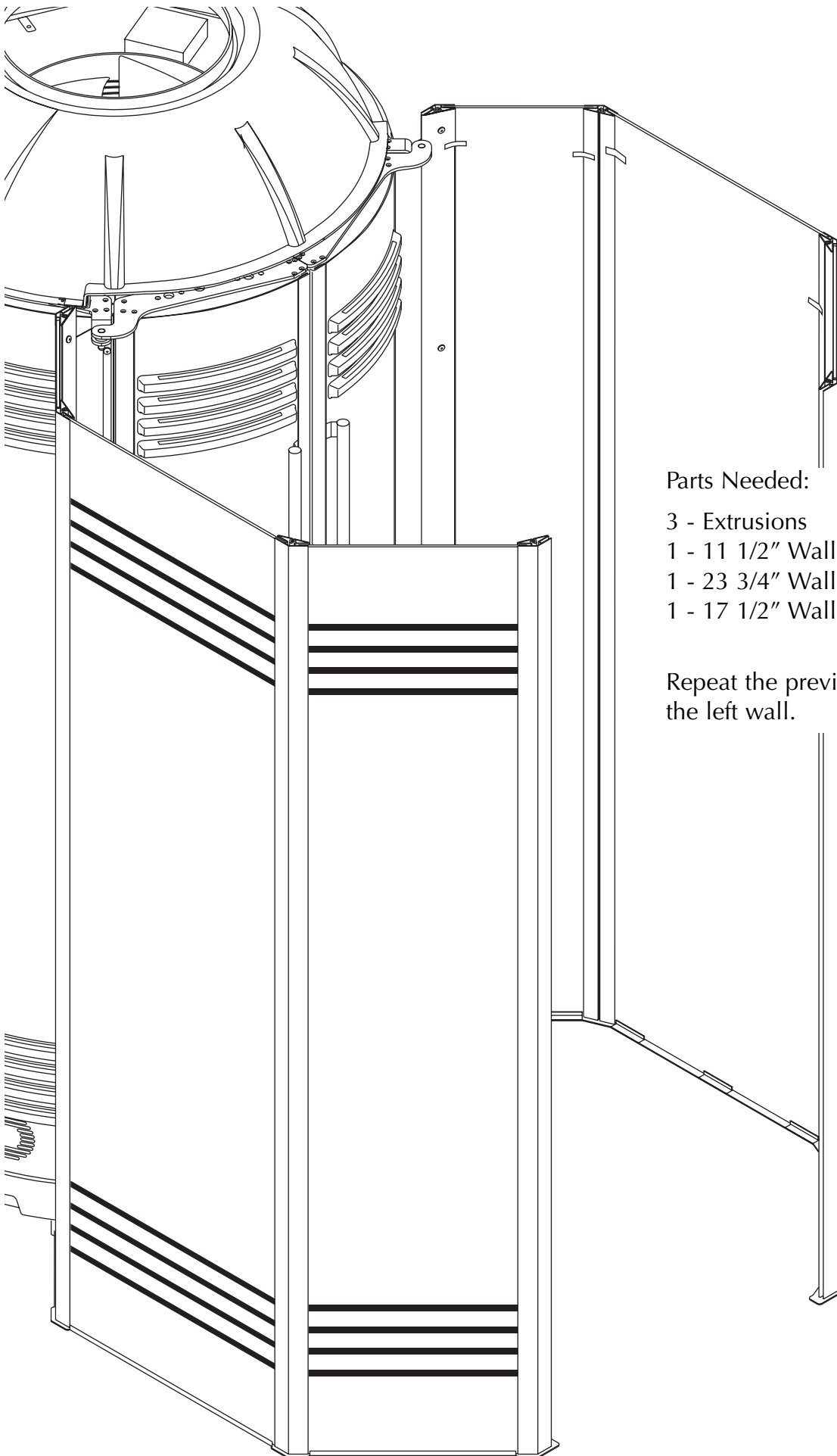
Parts Needed:

1 - Extrusion

1 - 17 1/2" Wall Panel

Slide the Wall Panel into the slot in the previously installed Extrusion and down onto the Base Plate. Install the last Extrusion. Tape?





Parts Needed:

- 3 - Extrusions
- 1 - 11 1/2" Wall Panel
- 1 - 23 3/4" Wall Panel
- 1 - 17 1/2" Wall Panel

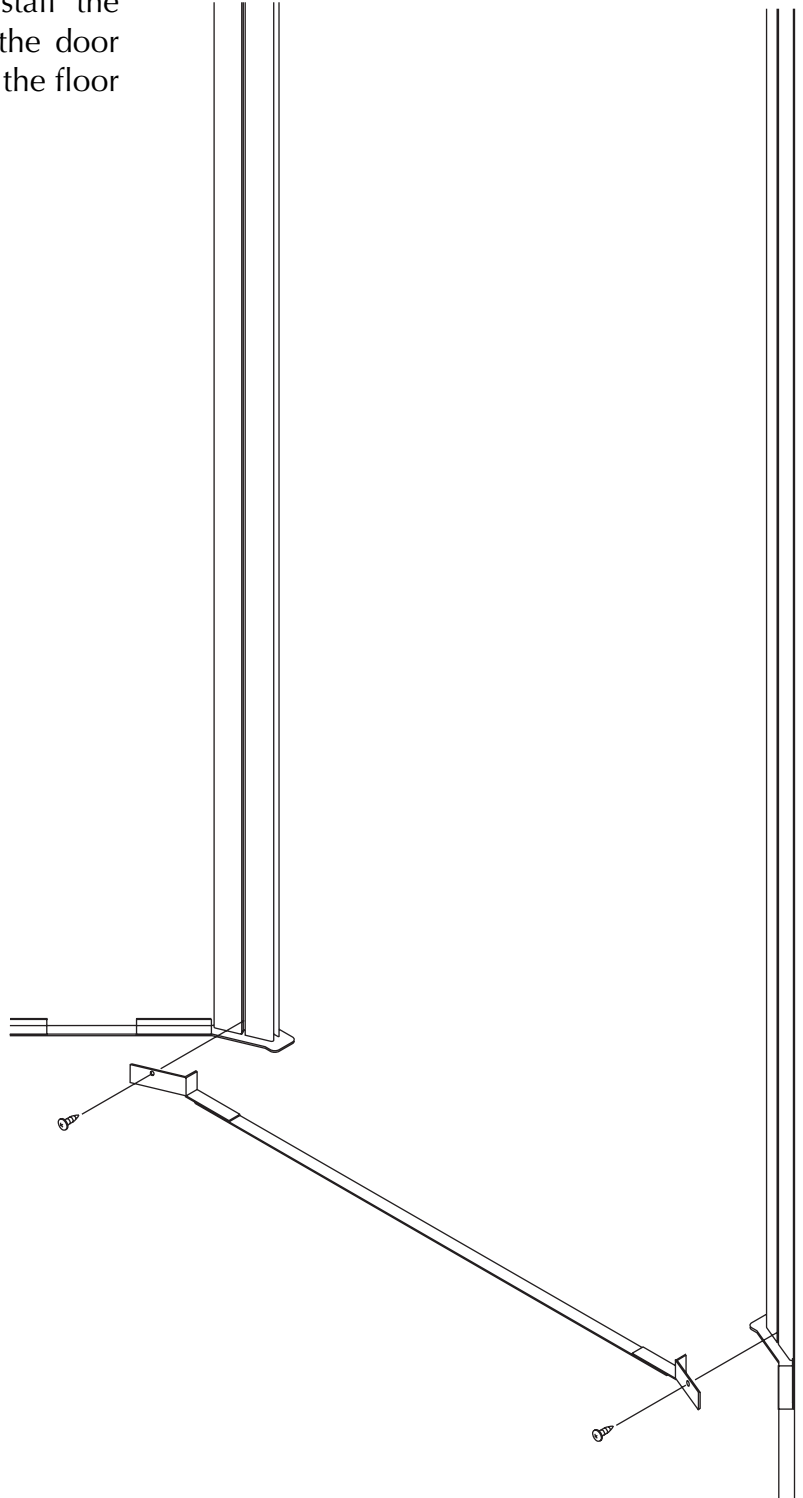
Repeat the previous four steps to assemble the left wall.

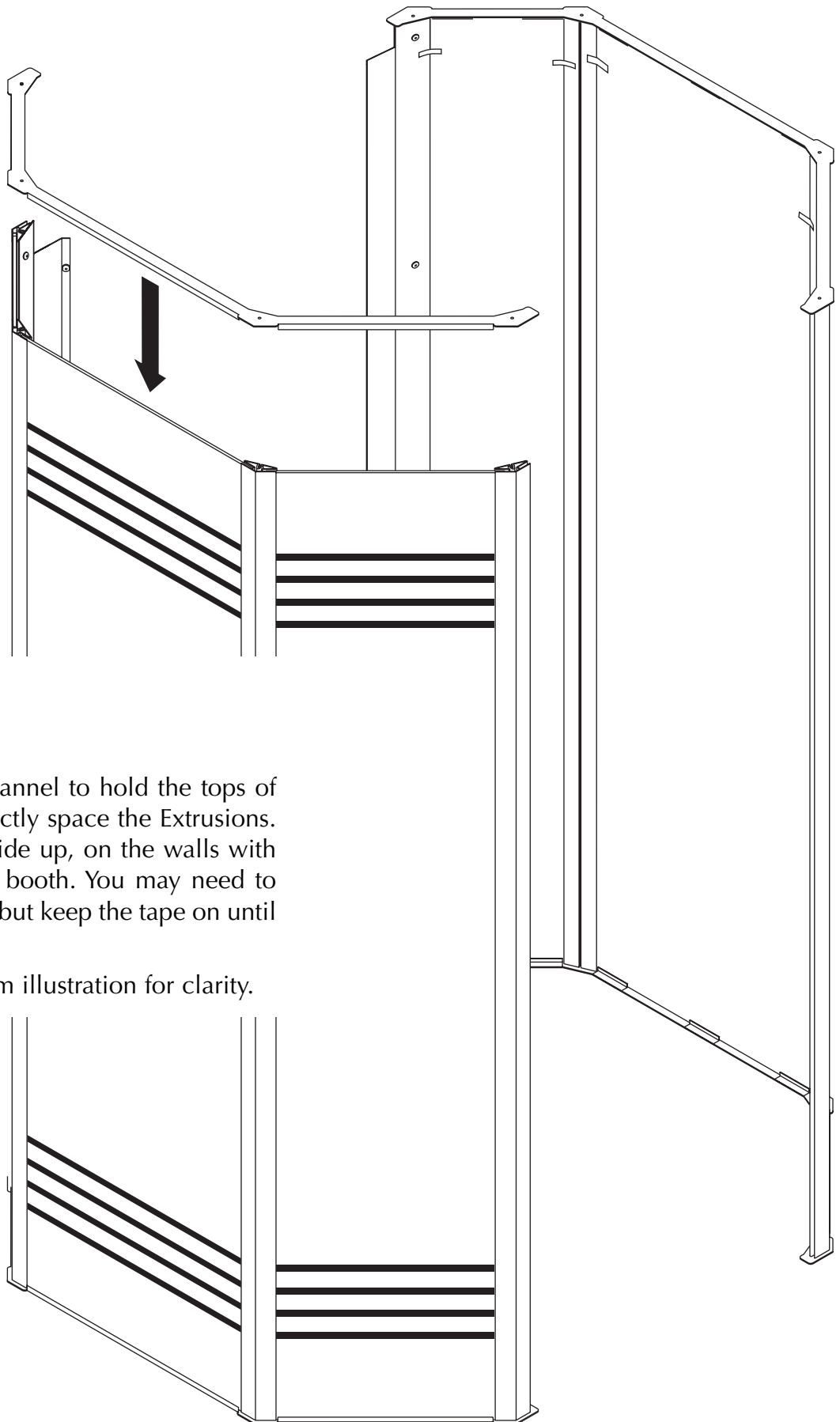
Parts Needed:

1 - Threshold

2 - #10 x 3/8" Phillips Screws

Move inside the Dressing Room and install the Threshold between the end Extrusions in the door opening. Make sure the Threshold is flat on the floor when installed.



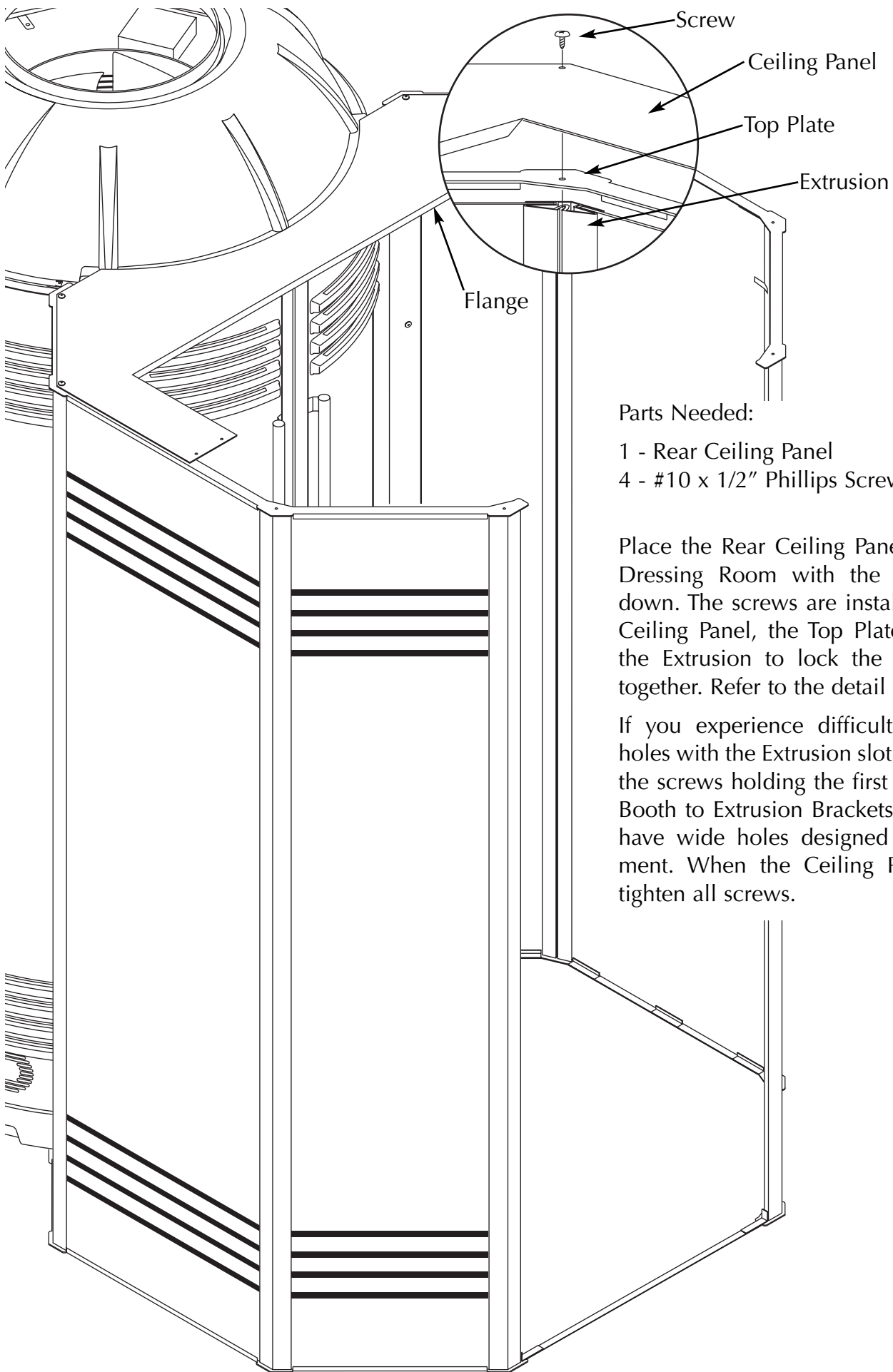


Parts Needed:

2 - Top Plates

The Top Plates create a channel to hold the tops of the panels as well as correctly space the Extrusions. Place the Top Plates, flat side up, on the walls with the short ends toward the booth. You may need to reposition the tape pieces, but keep the tape on until the ceiling is installed.

NOTE: Booth removed from illustration for clarity.

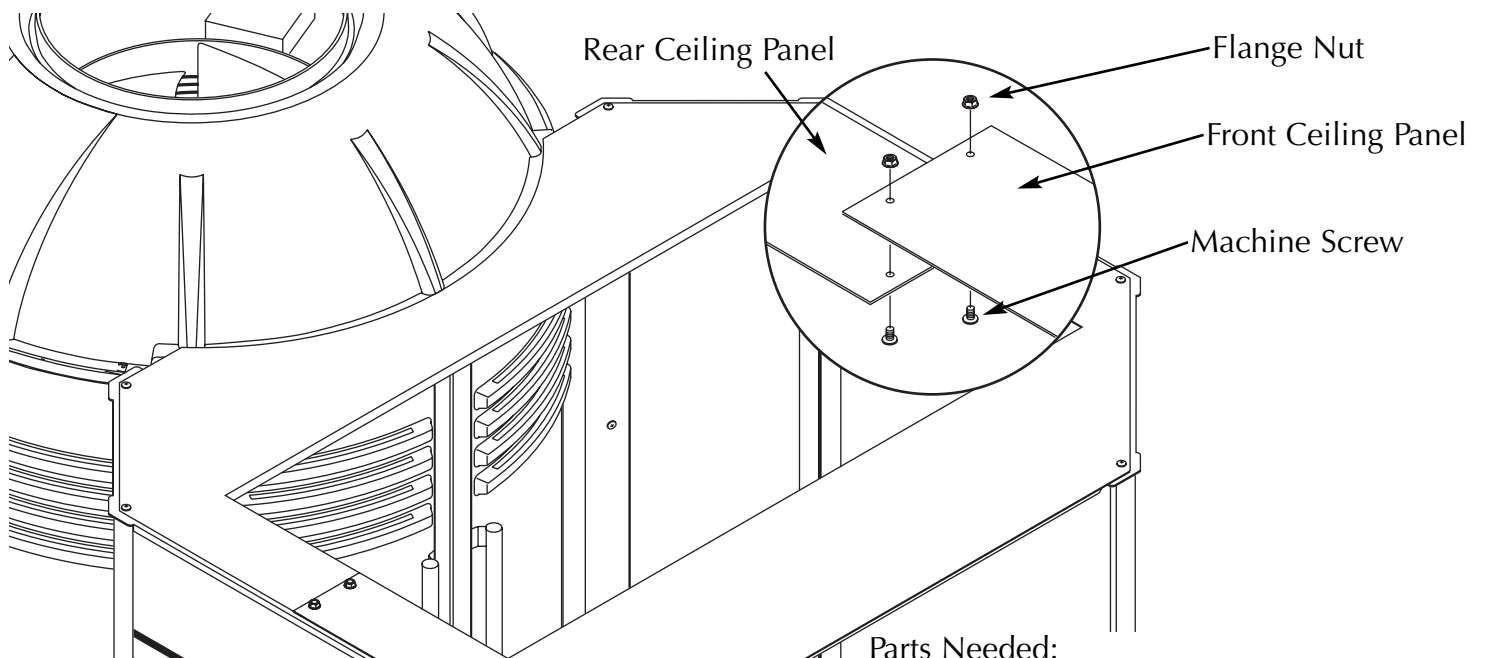


Parts Needed:

- 1 - Rear Ceiling Panel
- 4 - #10 x 1/2" Phillips Screws

Place the Rear Ceiling Panel on top of the Dressing Room with the flange pointing down. The screws are installed through the Ceiling Panel, the Top Plate and then into the Extrusion to lock the Dressing Room together. Refer to the detail on *page 4*.

If you experience difficulty lining-up the holes with the Extrusion slot you may loosen the screws holding the first Extrusion to the Booth to Extrusion Brackets. These brackets have wide holes designed for this adjustment. When the Ceiling Panel is secure, tighten all screws.

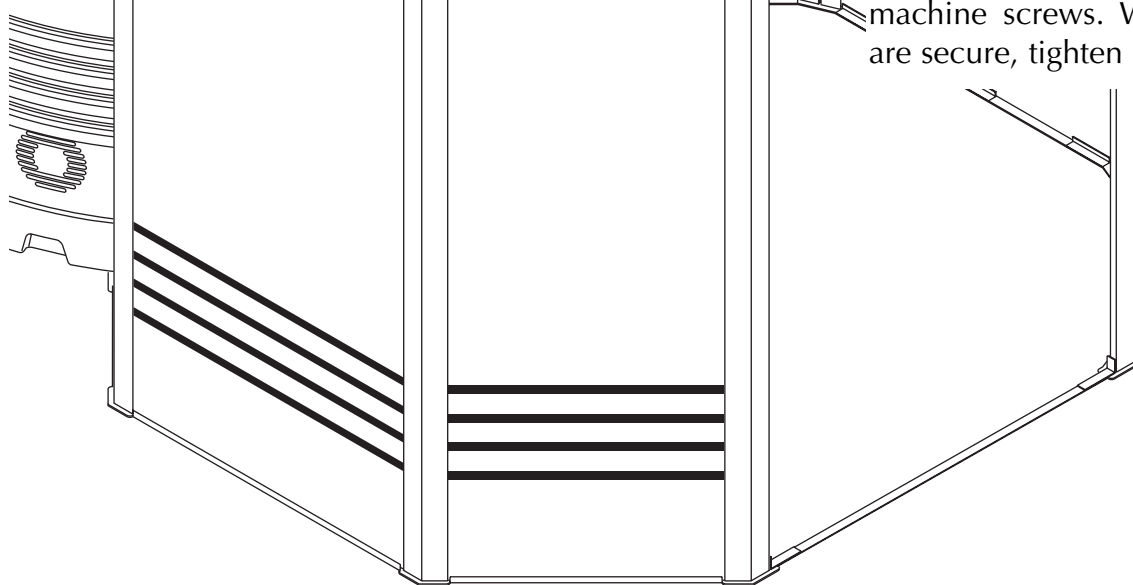


Parts Needed:

- 1 - Front Ceiling Panel
- 4 - #10 x 1/2" Phillips Screws
- 4 - #10-32 x 1/2" Phillips Machine Screws
- 4 - #10-32 Flange Locking Nuts

Place the Front Ceiling Panel on top of the Dressing Room with the flanges pointing down. Secure it in place in the same manner as the Rear Ceiling Panel. The Front Ceiling Panel will overlap the Rear Ceiling Panel. Lock the two panels together with the (4) machine screws and nuts as illustrated.

If you experience difficulty installing the machine screws, loosen the screws holding the panels down and then install the machine screws. When the ceiling panels are secure, tighten all screws.



Parts Needed:

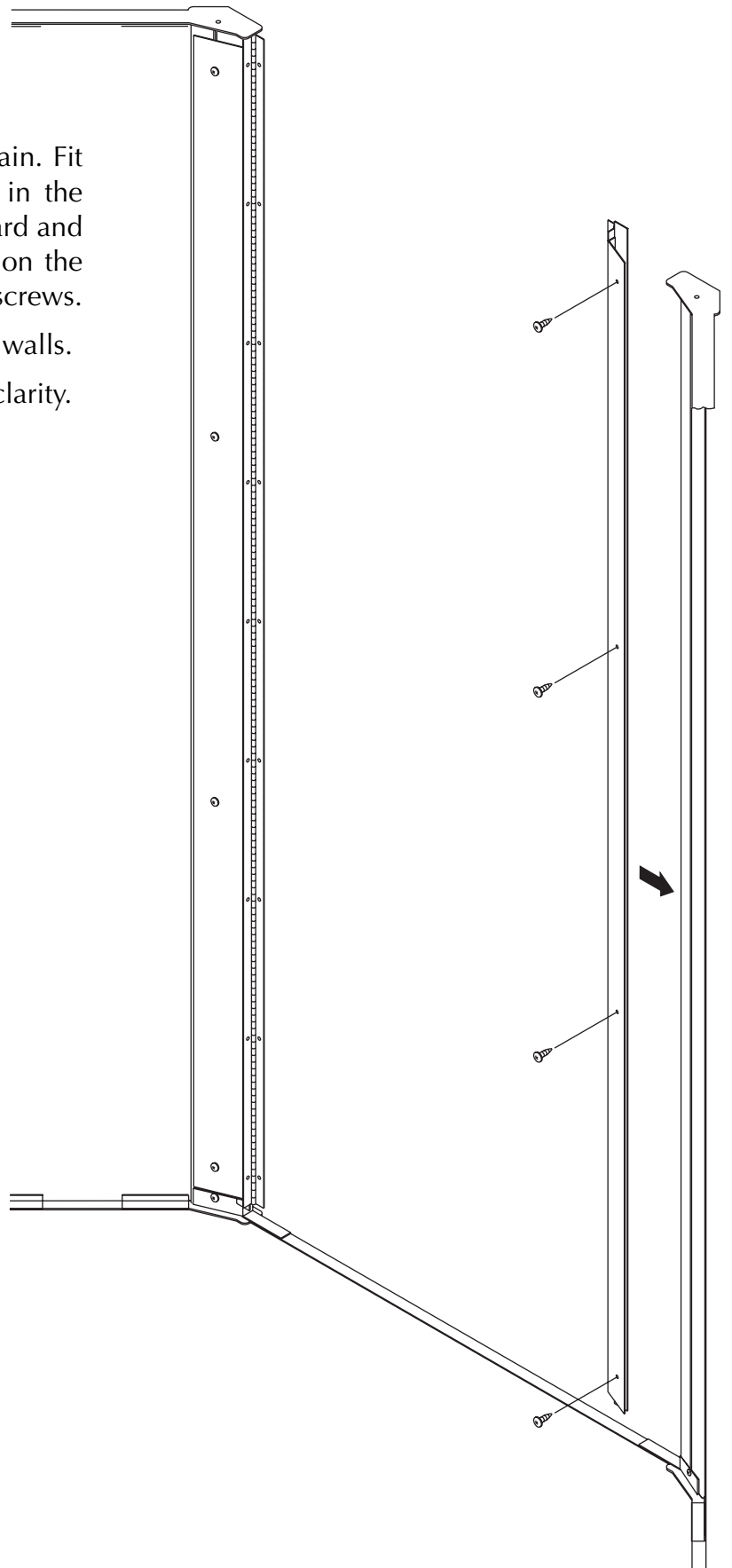
2 - Door Jambs

8 - #10 x 3/8" Phillips Screws

Move to the inside of the Dressing Room again. Fit the Door Jambs around the end Extrusions in the door opening as shown. The hinges face inward and the wide part of the jamb with the holes is on the inside of the room. Secure in place with the screws.

You may now also remove any tape from the walls.

NOTE: Ceiling removed from illustration for clarity.



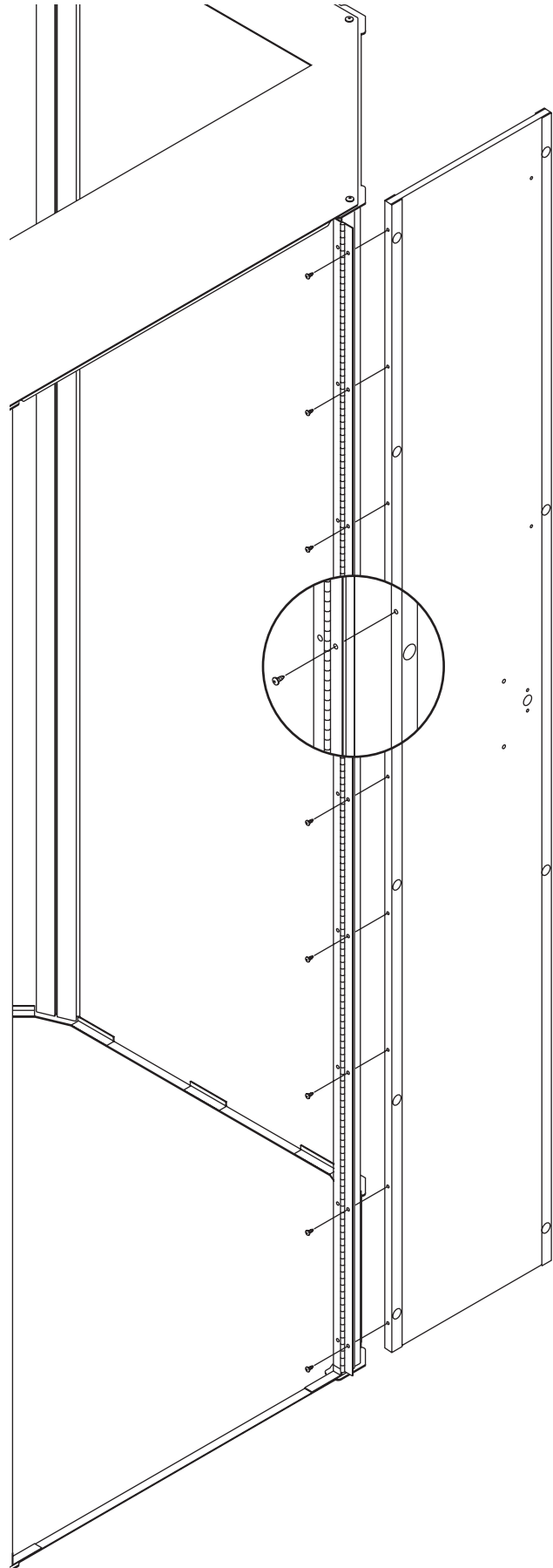
Parts Needed:

1 - Left Door

1 - Right Door

18 - #6 x 3/8" Phillips Screws

Only one edge of the doors has holes for the hinge screws. Install the doors with the stripes facing out. The left door (looking at the Dressing Room) is the one with only two holes opposite the hinge side. The Right Door (shown) has (5) additional holes for the latch. Have a helper hold a door while you secure it to the hinge with the screws. Make sure to put them on the correct side, otherwise the latch will not work.

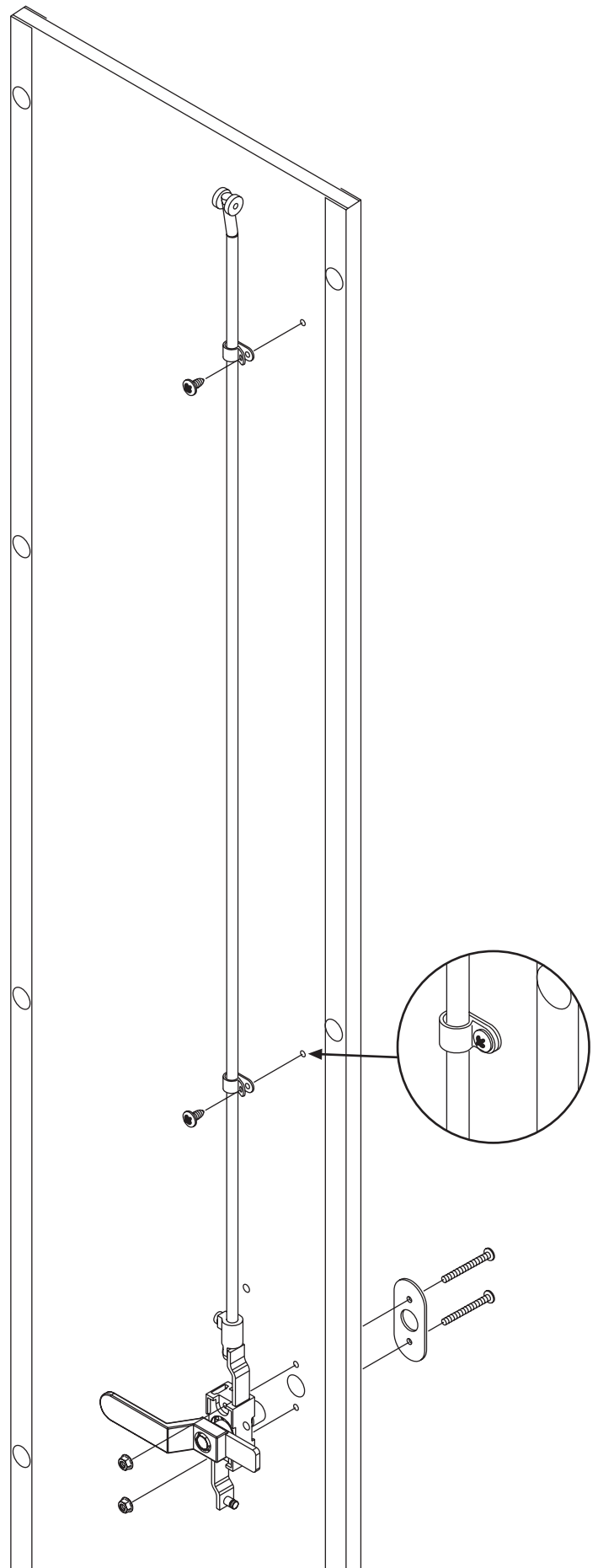


Parts Needed:

- 1 - Latch Assembly
- 1 - Keyhole Plate
- 2 - #8-32 x 1 3/8" Phillips Machine Screws
- 2 - #8-32 Flange Nuts
- 2 - #10 x 1/2" Phillips Screws
- 2 - Latch Clips

Install the Latch Assembly to the Right Door with the rod pointing upward. Insert the #8-32 x 1 3/8" machine screws through the small holes in the Keyhole Plate, through the Right Door and then through the Latch Assembly holes. Secure in place with the flange nuts.

Clip the Latch Guide Clips around the Latch rod with the clip flanges pointing away from the hinge. Secure the clips to the door using the #10 x 1/2" screws into the predrilled holes.

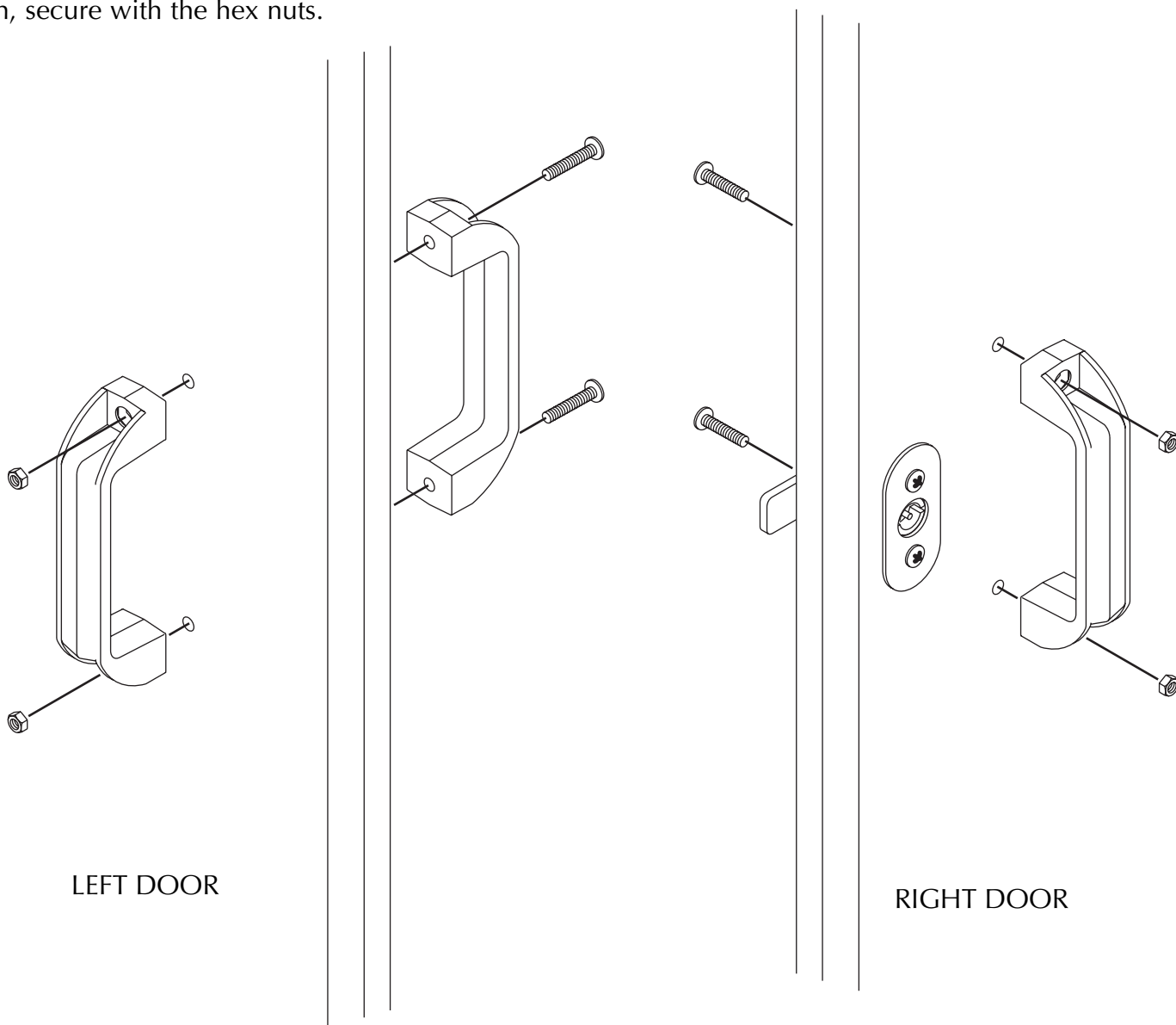


Parts Needed:

- 3 - Door Handles
- 2 - M6 x 25mm Phillips Machine Screws
- 2 - M6 x 30mm Phillips Machine Screws
- 4 - M6 Hex Nuts

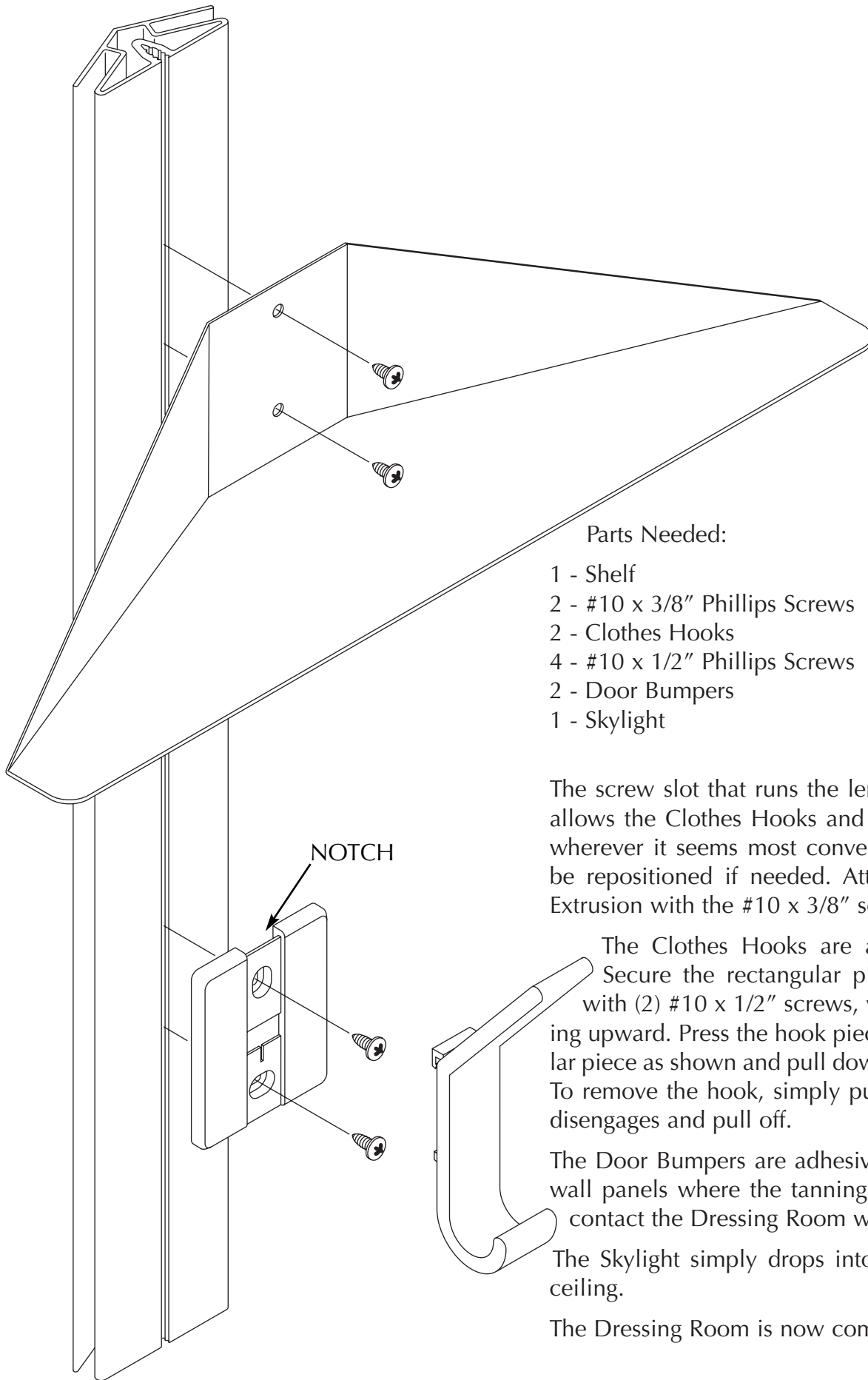
On the Left Door, install the M6 x 30mm screws through the inside handle, through the door and into the outside handle. Slip the nuts into the hexagon shaped holes in the outside handle and tighten the screws. The nuts will stay in place when tightening.

On the Right Door, put the M6 x 25mm screws through the holes in the door and into the handle. Again, secure with the hex nuts.



LEFT DOOR

RIGHT DOOR



Parts Needed:

- 1 - Shelf
- 2 - #10 x 3/8" Phillips Screws
- 2 - Clothes Hooks
- 4 - #10 x 1/2" Phillips Screws
- 2 - Door Bumpers
- 1 - Skylight

The screw slot that runs the length of the Extrusion allows the Clothes Hooks and Shelf to be installed wherever it seems most convenient. And they may be repositioned if needed. Attach the Shelf to an Extrusion with the #10 x 3/8" screws.

The Clothes Hooks are a two piece design. Secure the rectangular piece to an Extrusion with (2) #10 x 1/2" screws, with the notch pointing upward. Press the hook piece onto the rectangular piece as shown and pull downward until it clicks. To remove the hook, simply push it upward until it disengages and pull off.

The Door Bumpers are adhesive. Stick them on the wall panels where the tanning booth door handles contact the Dressing Room walls.

The Skylight simply drops into the opening in the ceiling.

The Dressing Room is now complete!

CALL FOR SERVICE OR
QUESTIONS:
1•800•449•3605



6270 Corporate Drive
Indianapolis, IN 46278-2900

In Canada call
1-800-661-6292
or 519-469-3166

