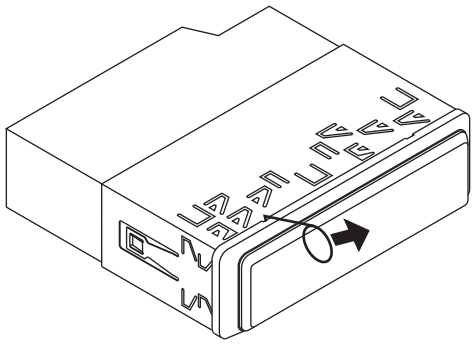
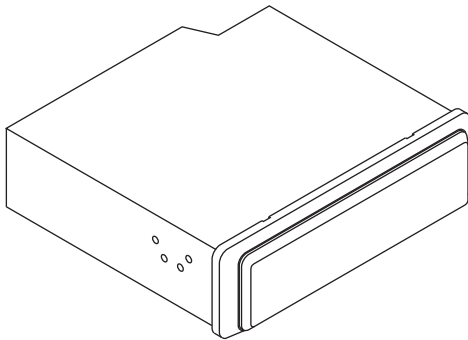
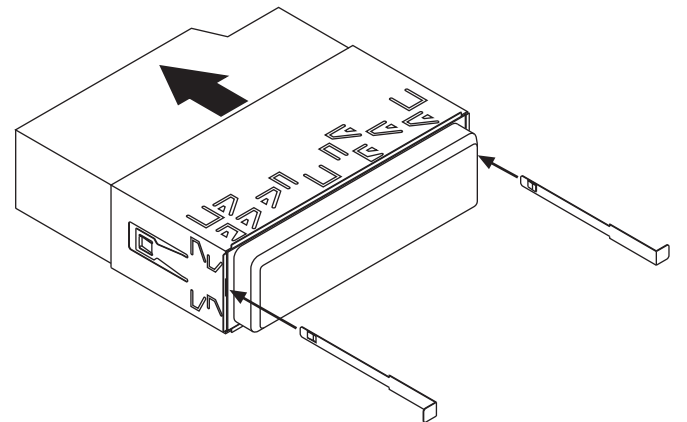


IMPORTANT
Stereo Installation Instructions
(Disregard the INSTALLATION MANUAL supplied with the stereo.)



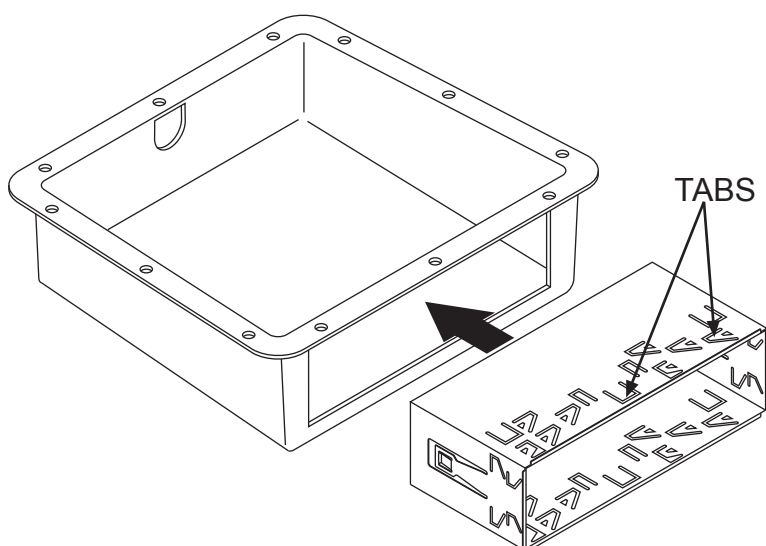
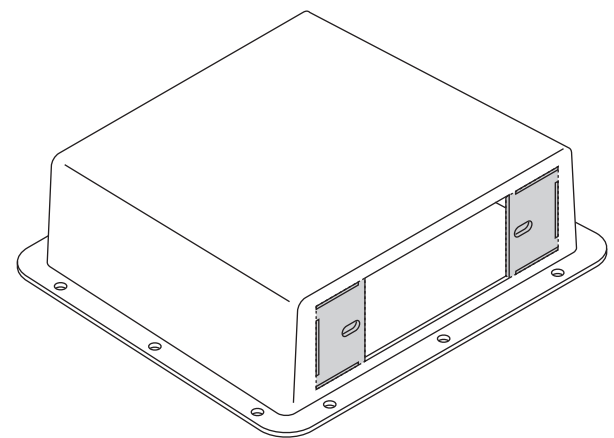
REMOVE THE FACEPLATE
Using the small wire tool, carefully pull the face plate off. Simply hook one of the notches and pull up and out, as shown. Do the same at all four notches to release the faceplate.

REMOVE THE MOUNTING SLEEVE
Slide the two pullers straight into the slots on both sides of the Stereo until they click. Push the mounting sleeve off of the Stereo.

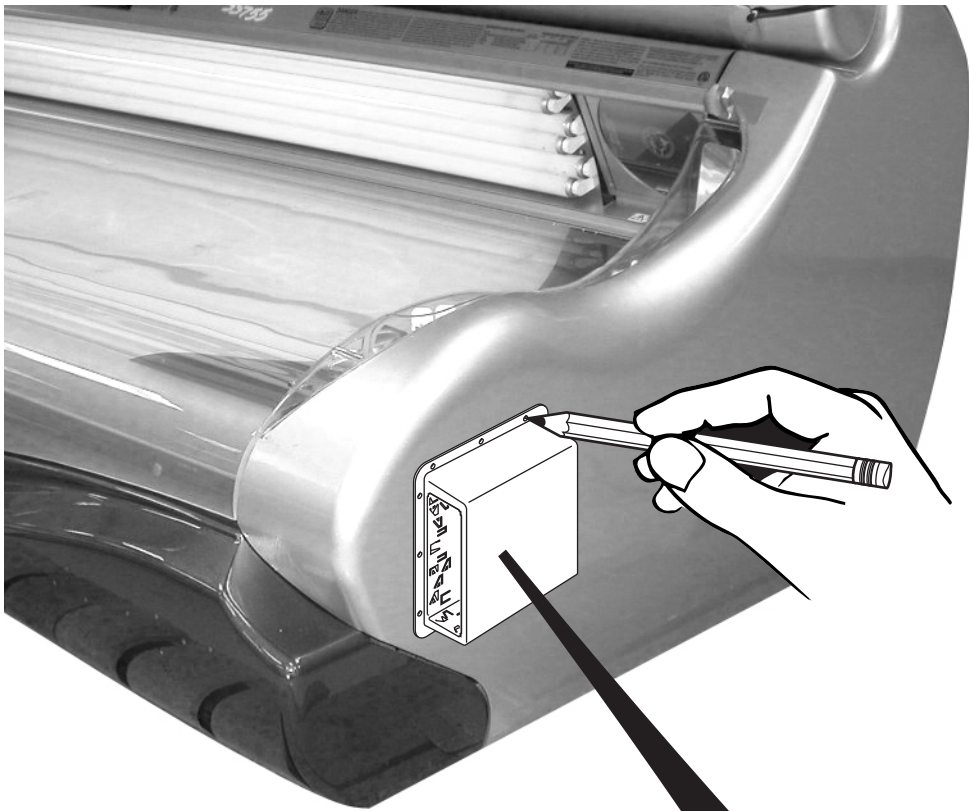


REPLACE THE FACEPLATE
Snap the faceplate back onto the front of the Stereo.

MOUNTING BOX PREPARATION
The Stereo Mounting Box is designed to accept many types of stereos. You must remove the shaded areas shown at right to fit this stereo. Carefully cut the box with a utility knife or small saw. Clean up any rough edges with a file if needed.



INSTALL THE MOUNTING SLEEVE
Slide the Mounting Sleeve into the Stereo Mounting Box. Bend a few tabs outward to secure the sleeve in the box.



MOUNT THE BOX

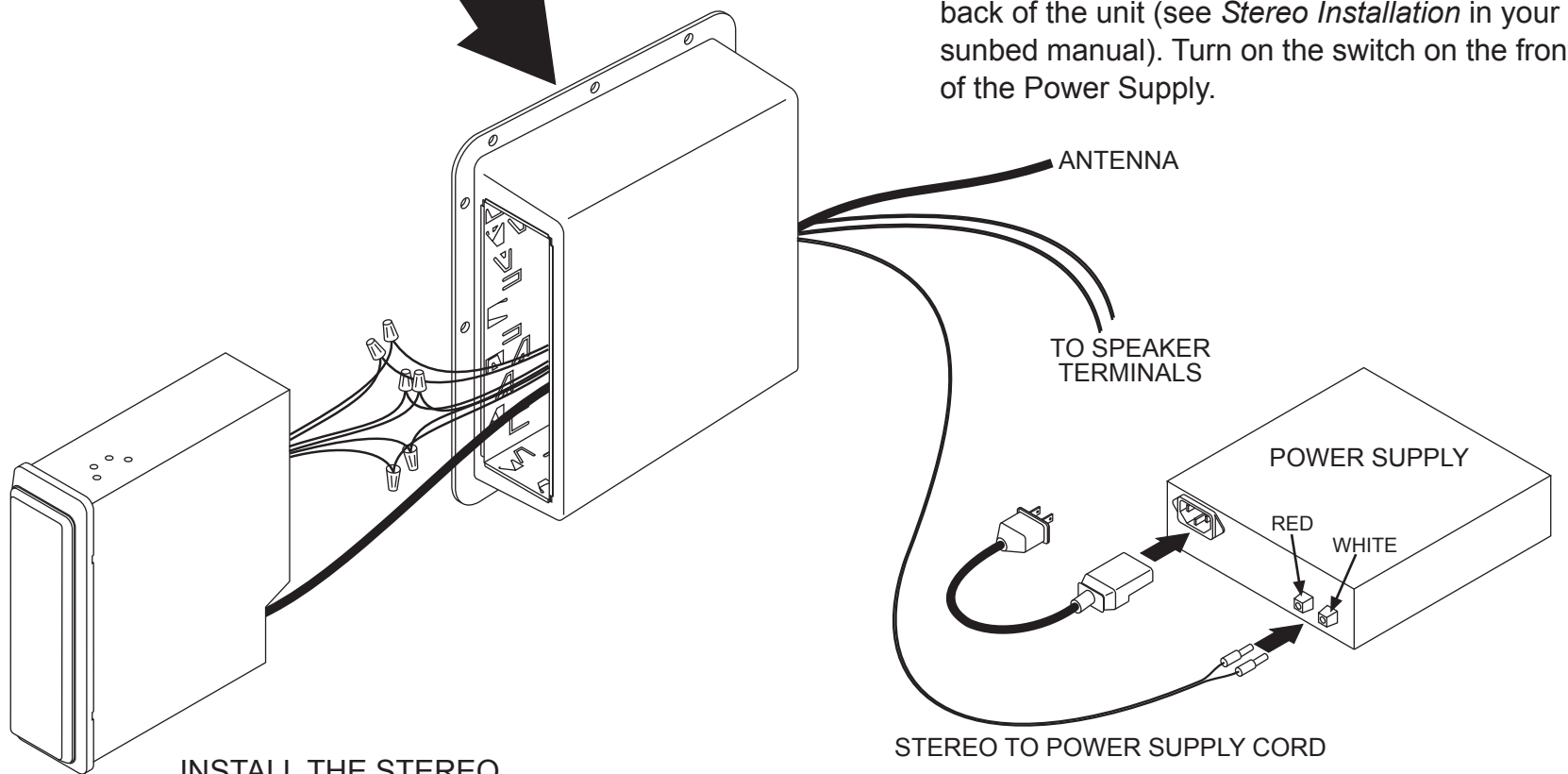
The recommended place to mount the stereo is the bench, head-end endcap (as shown). Holding the Stereo Mounting Box against the endcap, with the opening towards the front of the bed, mark the hole locations (there are 12) on the endcap. Drill 1/16" holes at each location and secure the Mounting Box to the endcap using the screws provided with the Mounting Box.

WIRING

Insert the bare ends of the three wire harnesses in the Stereo Installation Kit through the hole in the back of the Mounting Box and out the front of it. Do the same with the plug end of the Antenna. Connect the wires as shown in "CONNECT THE WIRING" below.

CONNECT THE POWER SUPPLY

Prepare a spot for the Power Supply somewhere near the stereo and off the floor. Plug the Stereo to Power Supply Cord into the rear of the Power Supply. Plug the Power Supply's power cord into it and then into a 110V wall receptacle. Connect the speaker wires, from the Stereo, to the speaker terminals on the small, black box tethered to the back of the unit (see *Stereo Installation* in your sunbed manual). Turn on the switch on the front of the Power Supply.



INSTALL THE STEREO

After connecting the wires slide the Stereo assembly into the Stereo Mounting Sleeve. It will lock in place. Be sure not to pinch any wires.

CONNECT THE WIRING

Included in the Stereo Installation Kit are three wire harnesses, two for the speakers and one for the Stereo Power Supply. You will also use the wiring harness supplied with the Stereo. Plug the stereo wiring harness into the back of the Stereo. Connect the other three wire harnesses to it as described in the illustration at right. If the speaker wires have connectors on the ends, cut them off and strip the wire about 1/2". Connect the wires with wire nuts. There will be (6) wires on the stereo wiring harness not used which should be cut off close to the connector.

