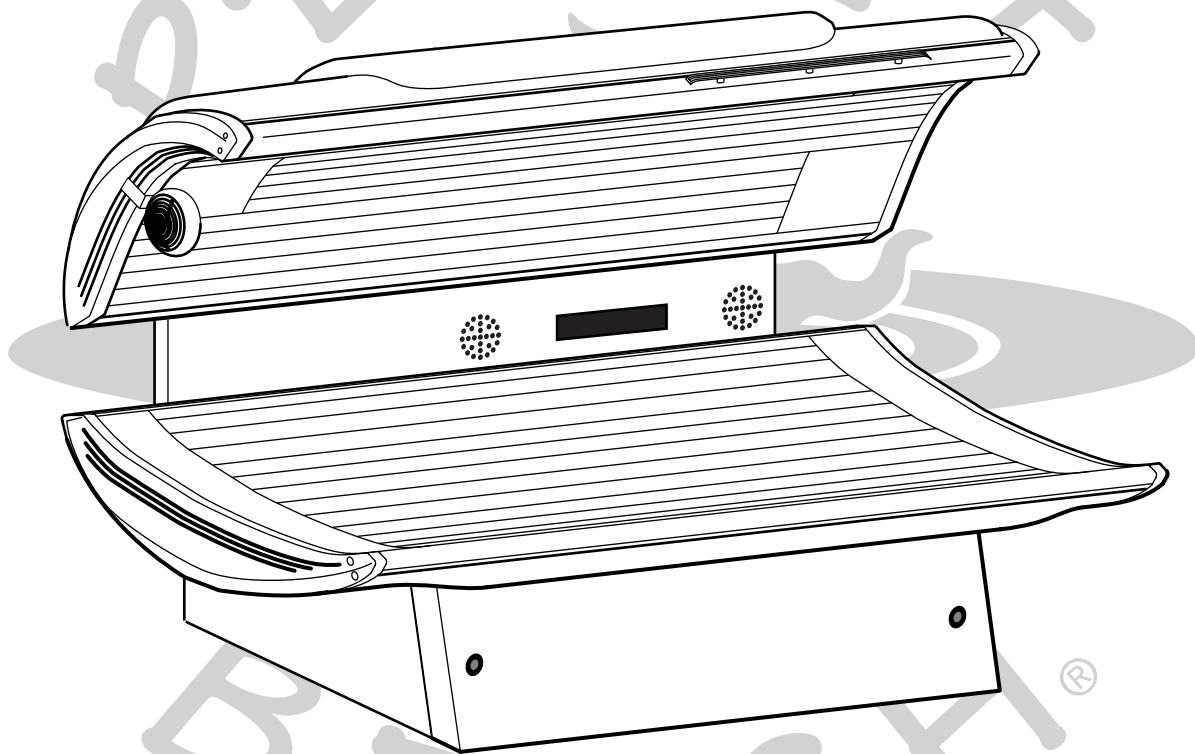


Solar System 32



USER MANUAL

23835-02C

Limited Lifetime Warranty

Your tanning unit is warranted to be free of structural defects in its material and workmanship, under normal use, for its lifetime. It will be repaired or replaced, at the discretion of the manufacturer, if any defect to the structure which affects the performance of the unit is found.

For 6 months from the date of purchase, replacements for parts that prove to be defective in material or workmanship will be provided. Acrylic shields, fluorescent lamps, and lamp starters are excluded from this warranty. Labor will be covered for 30 days from purchase date. Normal wear, damage from misuse or abuse, damage incurred in transit, or damage done by unauthorized repairs or modifications are not covered by this warranty.

ETS, Inc. disclaims any implied warranty of merchantability or fitness for any period beyond the expressed warranty. Some states do not allow limitations on how long an implied warranty lasts, so the above limitations may not apply to you.

No one has authority to change or modify this Limited Lifetime Warranty in any respect. To obtain service under the Limited Lifetime Warranty, contact **ETS, Inc.** at **1-800-449-3605**, and ask for the Technical Service Department.

ETS, Inc. shall not be liable for loss of use, loss of time, inconvenience, rental or substitute products, loss of business, loss of income, or any other incidental or consequential damages. Some states do not allow the exclusion or limitation of incidental or consequential damages, so the above limitation or exclusion may not apply to you.

This warranty gives you specific legal rights, and you may also have other rights which may vary from state to state.

All warranty service must be performed by an authorized service person. If your tanning unit must be returned for service, all freight charges must be at your expense. Contact your place of purchase for the address of the service center nearest you. Proof of purchase is required to obtain warranty service.

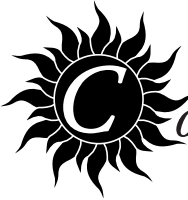
This warranty covers the original purchaser only. This warranty is void if the unit is modified in any manner from its original design.



Welcome

Congratulations on your purchase of this technologically advanced sun tanning unit. It has been designed to provide years of dependable service for you.

Please read all the instructions in this booklet before installing and using the unit. Always be sure to observe all safety precautions.

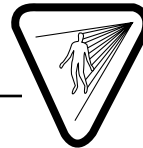


Contents

Safety Informationiii
Installation	1
Unpacking and Inspection	1
Tools Required	2
Pre-Installation Planning	3
Hardware Inventory	4
Assembly Procedures	7
Electrical Connections	23
Body Fan Assembly	24
Remote Connections	25
Operation	28
Before You Tan	28
Exposure Times	28
Using Your Sunbed	29
Care and Maintenance	31
Cleaning After Use	31
Thorough Periodic Cleaning	31
Mechanical Inspection	31
Lamp and Acrylic Replacement	32
Troubleshooting	34



Safety Information



LABELING NOTICE: Labels are affixed on all systems to inform the user of possible dangers. Regulations are stated in 21 CFR, Section 1040.20, and require that all products manufactured after September 8, 1986 which use sunlamps must display the following:

DANGER Ultraviolet radiation. Follow instructions. Avoid overexposure. As with natural sunlight, overexposure can cause eye and skin injury and allergic reactions. Repeated exposure may cause premature aging of the skin and skin cancer. WEAR PROTECTIVE EYEWEAR; FAILURE TO MAY RESULT IN SEVERE BURNS OR LONGTERM INJURY TO THE EYES. Medications or cosmetics may increase your sensitivity to the ultraviolet radiation. Consult physician before using sunlamp if you are using medications or have a history of skin problems or believe yourself especially sensitive to sunlight. If you do not tan in the sun, you are unlikely to tan from the use of this product. Children, the elderly, or fair skinned people who always burn easily and either never tan or tan minimally should not use this equipment.

To use, lie down under canopy and pull down as far as adjustment will allow. Do not use without clear plastic panels in place. Untanned persons should not tan on consecutive days during their first week of tanning. Never tan more than once a day. Tanning normally appears after the first few sessions and maximizes after approximately four weeks. Tan once or twice per week thereafter to maintain appearance. Persons already having a base tan may begin at advanced levels corresponding to the extent of their base tan.

RECOMMENDED EXPOSURE TIMES IN MINUTES		MAXIMUM EXPOSURE TIME IS 20 MINUTES				
Skin Type:	Level 1/Week 1 1st-3rd Sessions	Level 2	Level 3	Level 4	Subsequent Maximum	
I Sensitive Skin (Burns easily and severely and does not tan.)	NOT RECOMMENDED FOR TANNING					
II Light (Burns easily and severely and tans minimally.)	4	8	12	16	20	
III Normal (Burns moderately and tans average.)	6	10	15	20	20	
IV Dark (Burns minimally, tans easily and above average.)	8	12	16	20	20	

New lamps emit approximately 10% more ultraviolet radiation during the first 50 hours of operation. Recommended tanning times should therefore be reduced by approximately 10% during that period.

WARNING: • Read the instructions booklet before using this sunlamp product. • All persons in the room should wear protective eyewear when lamps are on. Recommended eyewear: provided eyeshields (Lucas Products Super Sunnies or Intrexco No. 5635/1) or equivalent eyewear as defined under 21 CFR 1040.20. Other types of eyewear may not provide adequate protection. Failure to use protective eyewear may result in severe burns or other eye injury. If discomfort develops, discontinue use and consult a physician.

ONLY THE FOLLOWING LAMP HAS BEEN CERTIFIED FOR USE IN THIS EQUIPMENT:
Comet™ Wolff® Model PB71-T12-175 Bi-Pin

DISCONNECT POWER CORD BEFORE ATTEMPTING TO CLEAN, RELAMP, OR ENGAGE IN THE MAINTENANCE OF THIS PRODUCT.

THIS EQUIPMENT MUST BE EARTH GROUNDED.
THIS PRODUCT IS IN CONFORMITY WITH PERFORMANCE STANDARDS FOR SUNLAMP PRODUCTS UNDER 21 CFR PART 1040.20



DANGER Rayonnement ultraviolet. Veuillez suivre les instructions. Évitez une exposition excessive. Tout comme pour les rayons du soleil, une exposition excessive peut causer des blessures aux yeux et à la peau et provoquer des réactions allergiques. Une exposition répétée peut causer le vieillissement prématuré de la peau et provoquer le cancer de la peau. **PORTEZ DES LUNETTES PROTECTRICES: LE NON-RESPECT DE CETTE CONSIGNE DE SÉCURITÉ PEUT ENTRAÎNER DE GRAVES BRÛLURES OU DES LÉSIONS OCULAIRES À LONG TERME.** Les médicaments ou les produits cosmétiques peuvent augmenter votre sensibilité au rayonnement ultraviolet. Consultez un médecin avant d'utiliser la lampe solaire si vous prenez des médicaments, si vous souffrez d'une maladie cutanée ou si vous croyez être particulièrement sensible aux rayons du soleil. Si vous ne bronzes pas au soleil, il est peu probable que vous bronzerez sous une lampe solaire. Les enfants, les personnes âgées et les personnes qui ont une peau claire qui brûle facilement, ne bronzez jamais ou alors très peu, ne devraient pas utiliser cette lampe.

Étendez-vous sous la partie supérieure, puis abaissez celle-ci aussi bas que possible. N'utilisez pas la lampe sans les panneaux de plastique transparents. La première semaine de bronzage, les personnes qui n'ont pas un hâle initial ne doivent pas se faire bronzer tous les jours. Ne vous faites jamais bronzer plus d'une fois par jour. Le bronzage commence normalement à apparaître après les premières séances : il atteint son apogée au bout d'environ quatre semaines. Les personnes qui ont déjà un teint hâlé peuvent commencer à des niveaux plus élevés, selon l'importance de leur hâle initial.

TEMPS D'EXPOSITION RECOMMANDÉ EN MINUTES		LE TEMPS D'EXPOSITION MAXIMAL EST DE 20 MINUTES				
Type de peau:	Élevé 1/ 1 ^{ère} -3 ^e semaine	Élevé 2	Élevé 3	Élevé 4	Sem. suivantes Temps maximal	
I Peau sensible (brûle facilement et ne bronze pas)	NON RECOMMANDÉ					
II Peau claire (brûle facilement et bronze très peu)	4	8	12	16	20	
III Peau normale (brûle et bronze de façon modérée)	6	10	15	20	20	
IV Peau foncée (brûle très peu, bronze plus facilement que la moyenne)	8	12	16	20	20	

Les lampes neuves émettent approximativement 10 % de plus de rayons ultraviolets au cours des 50 premières heures de fonctionnement. Le temps de bronzage doit donc être réduit d'environ 10 % pendant cette période.

AVERTISSEMENT : • Lisez le livret d'instructions avant d'utiliser cette lampe solaire. • Les autres personnes présentes dans la pièce doivent aussi porter des lunettes protectrices lorsque les lampes sont allumées. Coquilles de protection pour les yeux recommandées: Les coquilles de protection fournies (Lucas Products Super Sunnies ou Intrexco n° 5635/1) ou l'équivalent, tel que le stipule le document 21 CFR 1040.20. Les autres types de lunettes protectrices peuvent ne pas assurer une protection adéquate. Utilisé sans lunettes protectrices, ce produit peut causer des brûlures ou lésions oculaires graves. Si vous souffrez d'un malaise, arrêtez l'utilisation et consultez un médecin.

SEULEMENT LA LAMPE SUIVANTE ONT ÉTÉ HOMOLOGUÉES POUR CET ÉQUIPEMENT :
Comet™ Wolff® Modèle PB71-T12-175 Bi-Pin

Débranchez le cordon d'alimentation avant de nettoyer l'appareil, d'en faire l'entretien ou de changer les lampes.

Cet équipement doit être mis à la terre.

Ce produit est conforme aux normes de rendement pour les lampes solaires dans le document 21 CFR, partie 1040.20



Installation

Unpacking and Inspection

Your sunbed comes in two cardboard cartons, one for the bench and one for the canopy. Open the cartons and remove the bench and canopy as follows.

The bench and canopy are each wrapped in plastic. Pull back the plastic and, with a helper, grasp the bench and pull it from the carton bottom, leaving the plastic wrap and the carton packaging. Do the same for the canopy. **Do not attempt to lift either unit with the plastic still on as it may slip.**

Note! The cartons are reusable, in the unlikely event that you may find it necessary to return your sunbed.

After unpacking the unit, check to make sure you have received the following:

- Canopy unit
- Bench unit
- Ballast tray
- Pair of gas springs
- Box containing front and side skirts
- Bag containing necessary assembly hardware, handle, safety goggles, and pillow
- Box containing two stand legs, two cross member supports and four skirt mounting brackets
- Gas spring cover panel
- Stereo
- Speakers
- Stereo power supply
- Stereo installation hardware

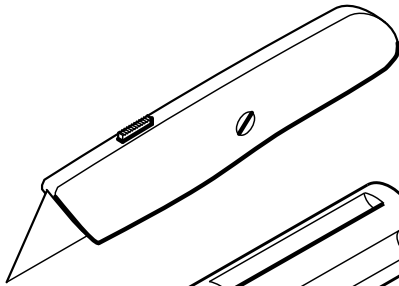
Inspect these items, including the canopy and bench, and make sure they are free from any visible damage. Report the extent of any damage to the transportation company.

Record the serial numbers of the canopy and bench in the area provided at the back of this manual. This information will be required whenever you call customer service.

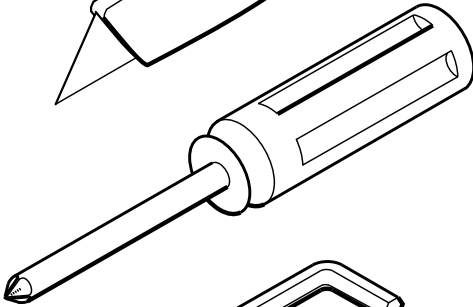


Tools Required

You will need the following tools to assemble your sunbed.



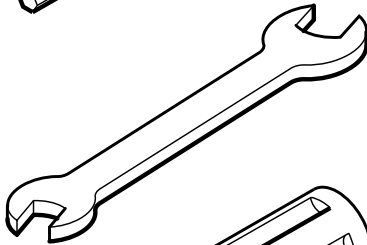
Utility Knife



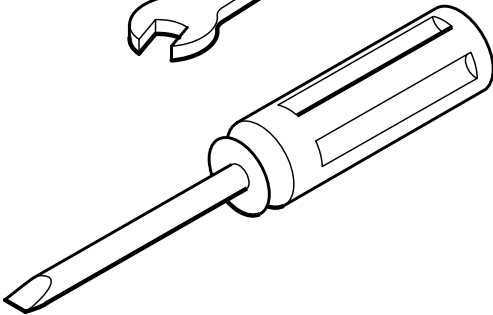
#2 Phillips Screwdriver



Allen Wrench
(Supplied in hardware kit)



Open-ended wrench
(Supplied in hardware kit)




#2 Flat-bladed Screwdriver



Pre-Installation Planning

Before you begin to assemble your sunbed, you should observe the following considerations.

	⚠ WARNING
	Shock hazard. Disconnect power before servicing.

⚠ CAUTION
Use of a voltage source above 230V AC may prevent proper operation of the sunbed and could cause damage and void the warranty.

- The *Solar System 32* requires a dedicated circuit capable of providing 30 Amp service at 220VAC. This unit must be hardwired directly to a junction box. We recommend connection by a professional electrician.
- IMPORTANT! Voltage must be below 230V AC or may require a Buck Booster.
- Some portions of the carton will be used for assembly. Do not discard cartons until assembly is complete.

⚠ CAUTION
Air from the room is used to cool the sunbed. Maximum ambient room temperature should be 80°F. Place your sunbed no closer than 6" from any wall. Make sure nothing obstructs the airflow into the sunbed's endcaps or out of the fan openings. A poorly ventilated room may cause the unit to become hot and cause discomfort to the user.

⚠ CAUTION
Proper assembly of your sunbed requires three people. Plan to have a couple of helpers assist you.



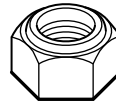
Hardware Inventory

Use the utility knife to cut open the hardware bag and blister pack. In addition to a pillow, make sure you have the following hardware items.



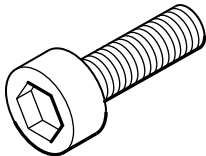
**Carriage Bolt,
M10 x 60mm**

Quantity 2



Self-locking Nut, M10

Quantity 2



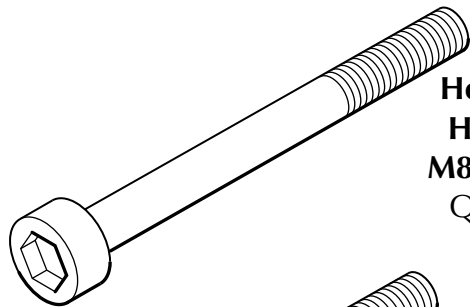
**Hex Socket Head
Bolt, M8 x 20mm**

Quantity 8



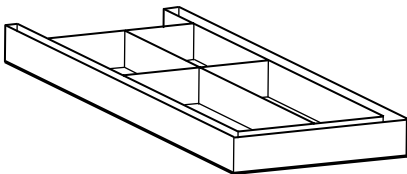
Flat Washer, M8

Quantity 12



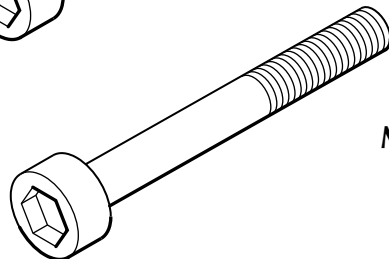
**Hex Socket
Head Bolt,
M8 x 80mm**

Quantity 4



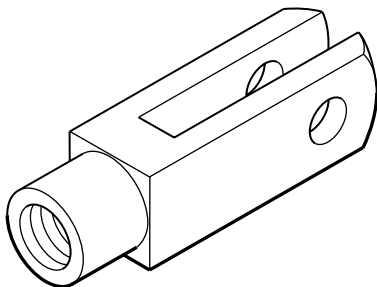
Foot Caps

Quantity 4



**Hex Socket
Head Bolt,
M8 x 60mm**

Quantity 2



**Clevis Fork,
M10 Long**

Quantity 4



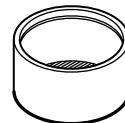
Self-locking Nut, M8

Quantity 2



Plastic Spacer, 15mm

Quantity 4

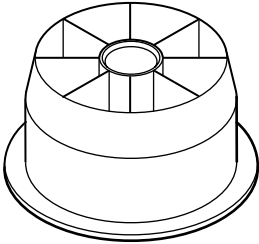


Plastic Trim Cap

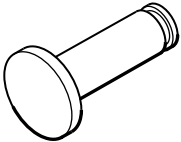
Quantity 4



Plastic Trim Washer
Quantity 4



Nylon Floating Bearing
Quantity 4



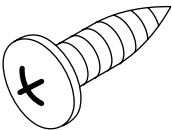
Clevis Pin, 10mm
Quantity 2



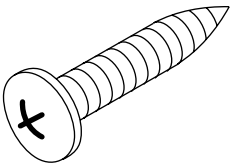
Retaining Ring
Quantity 2



Bronze Bushing, 10mm
Quantity 2



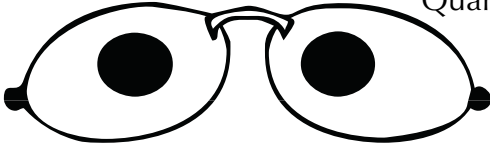
Phillips Head Screw,
#10 x 1/2"
Quantity 20



Phillips Pan Type AB
Screw, #10 x 1"
Quantity 3



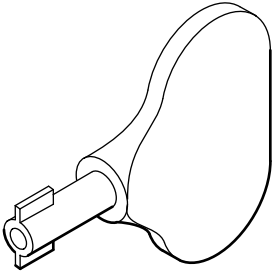
Safety Goggles
Quantity 1



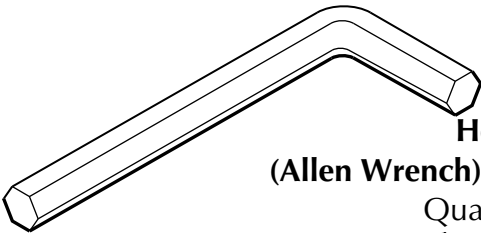
! WARNING

**Wear protective eyewear.
Failure to may result in severe burns or
longterm injury to the eyes.**

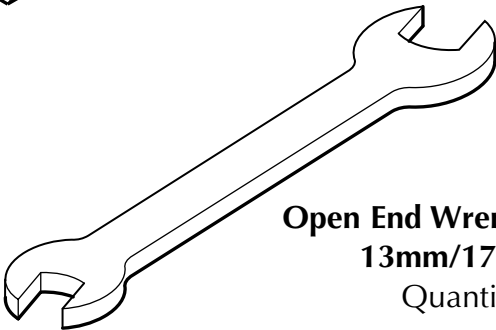
Skirt Latch Key
Quantity 1



**Hex Key
(Allen Wrench), 6mm**
Quantity 1



**Open End Wrench,
13mm/17mm**
Quantity 1



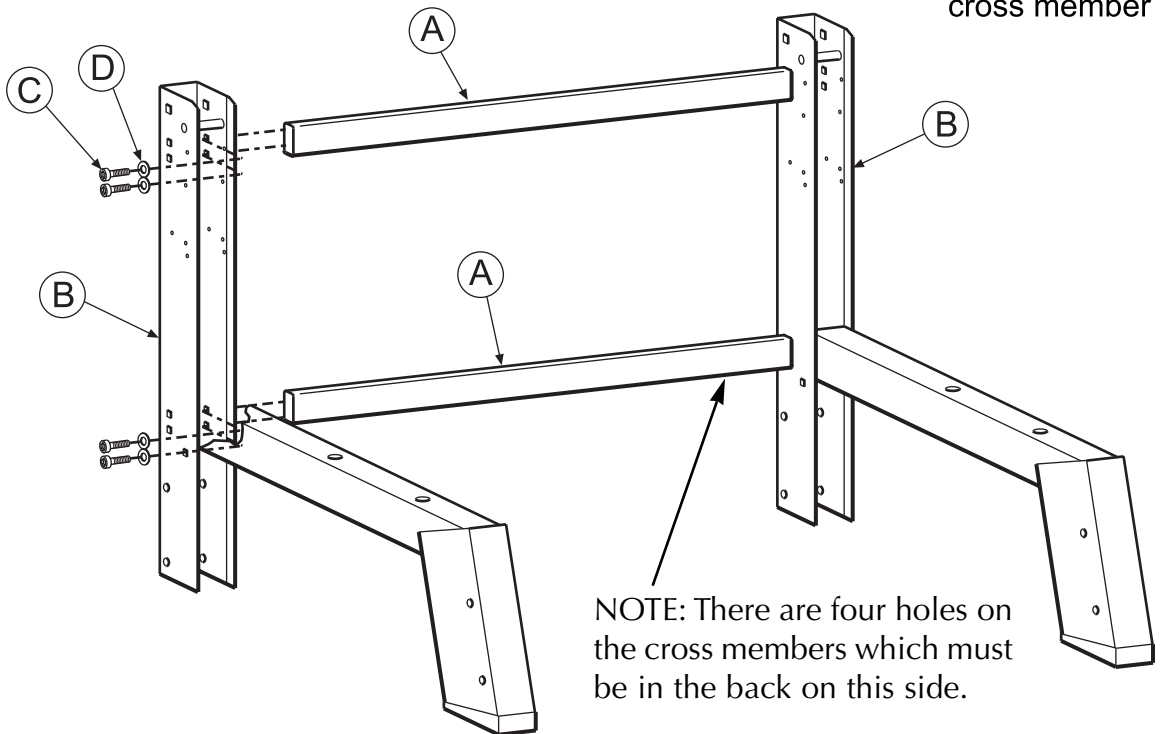
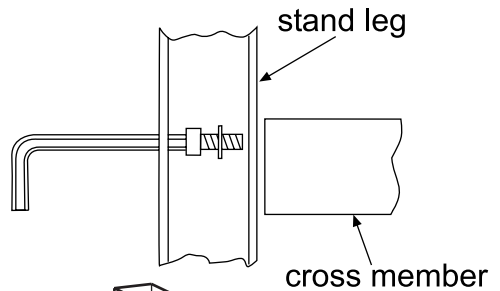


Assembly Procedures

Stand Assembly

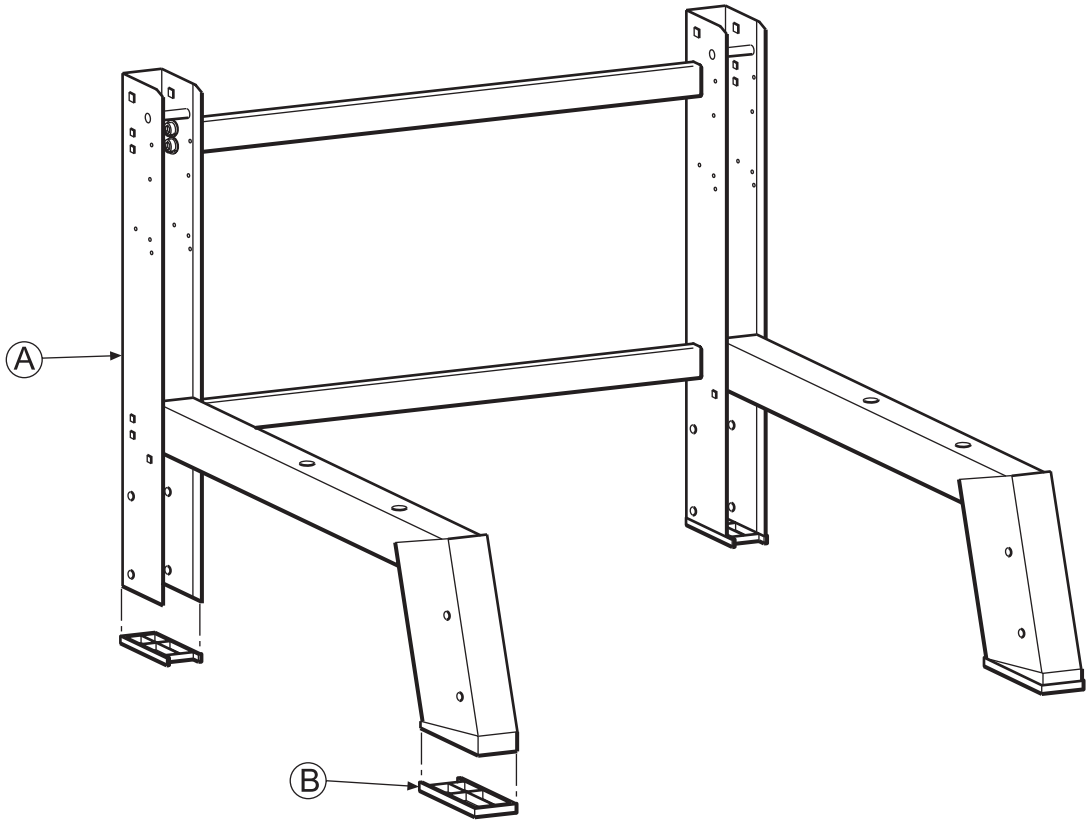
1. Fit the cross member supports (A) to the stand legs (B) using the M8 x 20mm bolts (C) and the M8 washers (D). See note below. Assemble the bolts a few turns only.
2. After the stand is assembled, tighten all bolts.

Tip: The rectangular hole on the outside of the stand leg channel is for Allen wrench access. Insert the Allen wrench into the outside rectangular hole. Next slide the washer onto the bolt and the bolt onto the Allen wrench inside the stand channel.



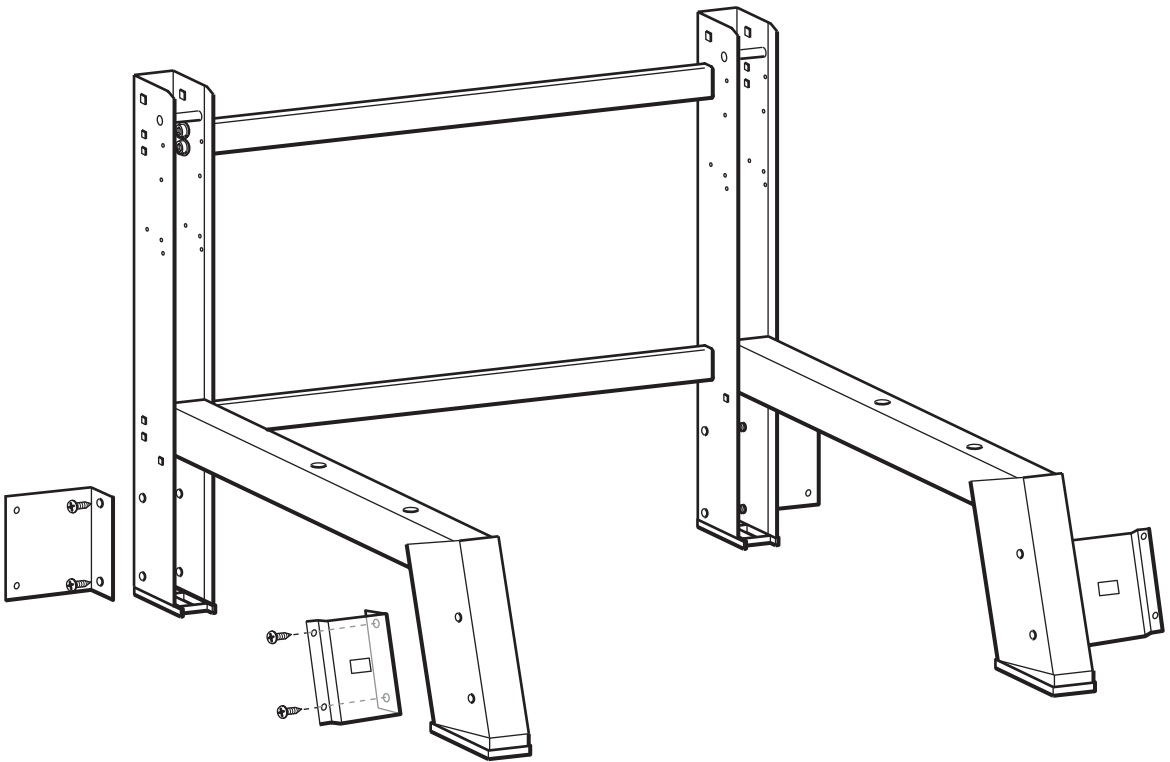


3. Place the foot caps (B) under the stand legs (A) and position the stand in the approximate spot you want the sunbed.



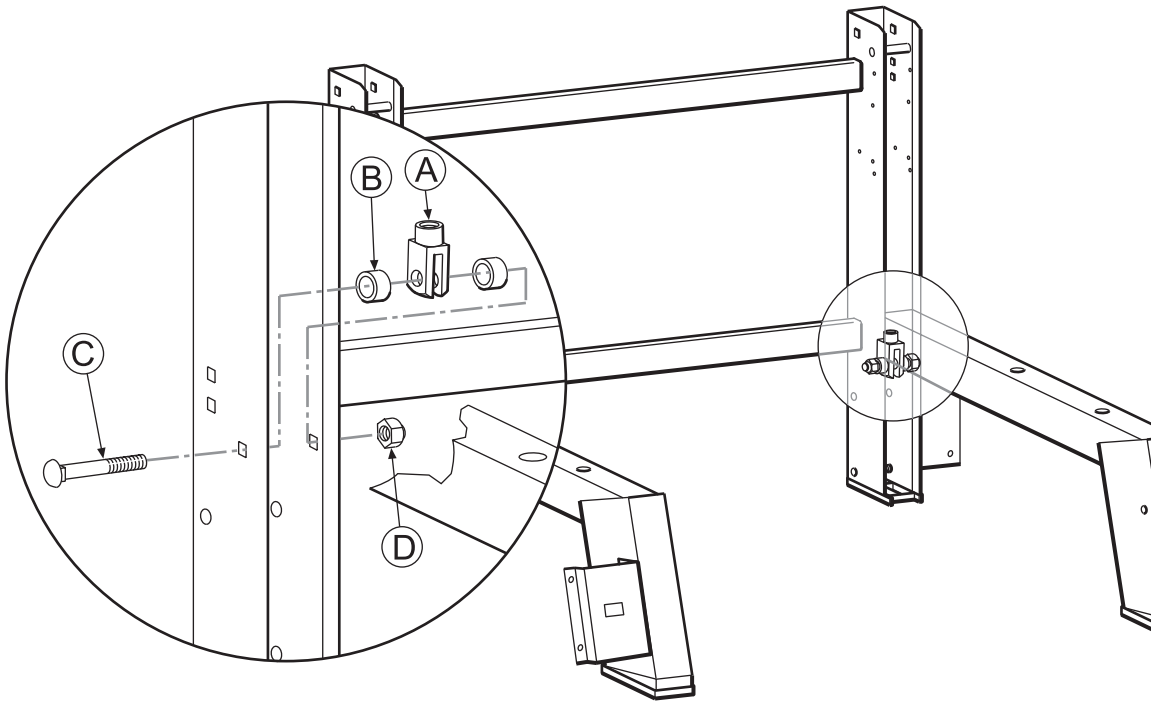


4. Attach the four skirt mounting brackets to each corner of the stand legs, using eight #10 x 1/2" Phillips head screws. Each location is predrilled to accept a bracket. You will notice that there are two types of brackets. The rear brackets are simply "L" shaped, while the front brackets have a rectangular hole and a slight step.



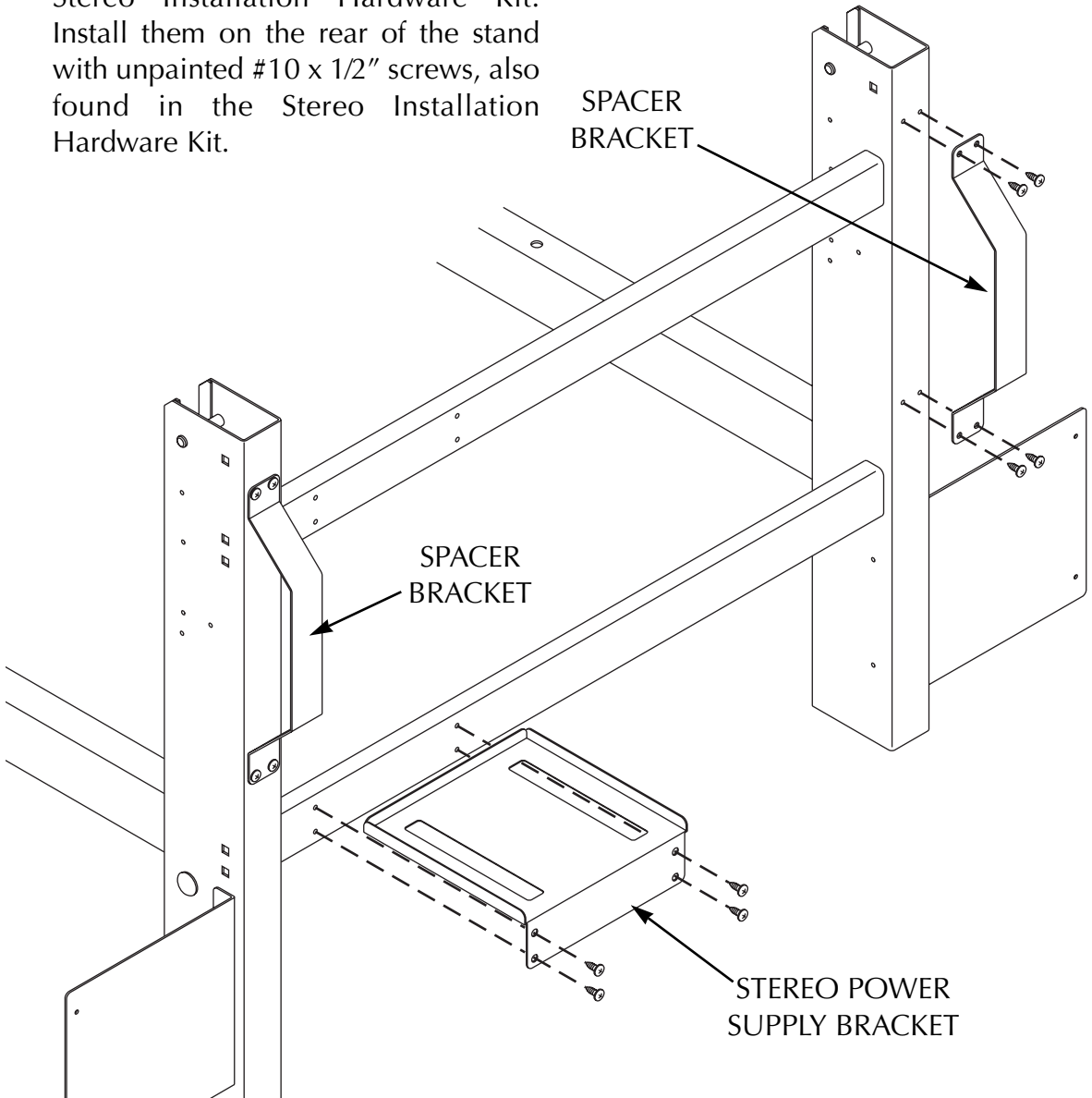


5. Assemble the lower clevis forks (A) in the stand using the 15mm spacers (B), the M10 x 60mm carriage bolts (C) and the M10 self-locking nuts (D). When assembled the threaded hole in the clevis fork should point upwards.



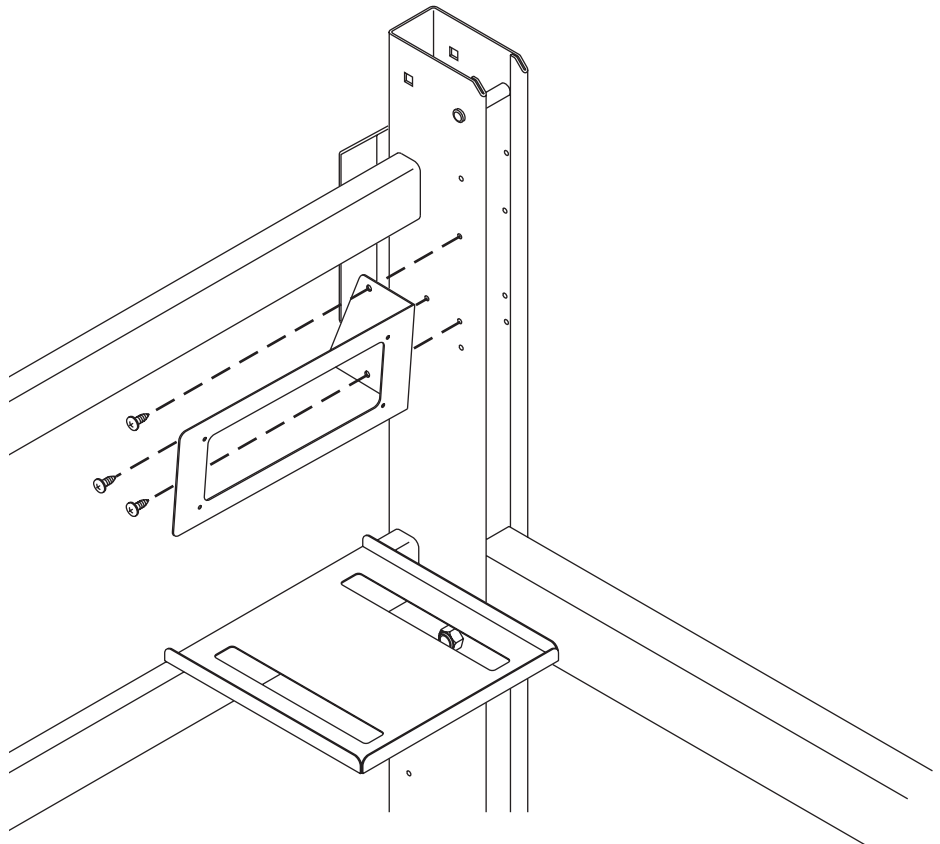


- Find the three brackets shown in the Stereo Installation Hardware Kit. Install them on the rear of the stand with unpainted #10 x 1/2" screws, also found in the Stereo Installation Hardware Kit.





7. Move around to the front of the stand. Find the Stereo Support Bracket in the Stereo Installation Hardware Kit. Install it with three unpainted #10 x 1/2" screws, also found in the Stereo Installation Hardware Kit, in the holes shown.

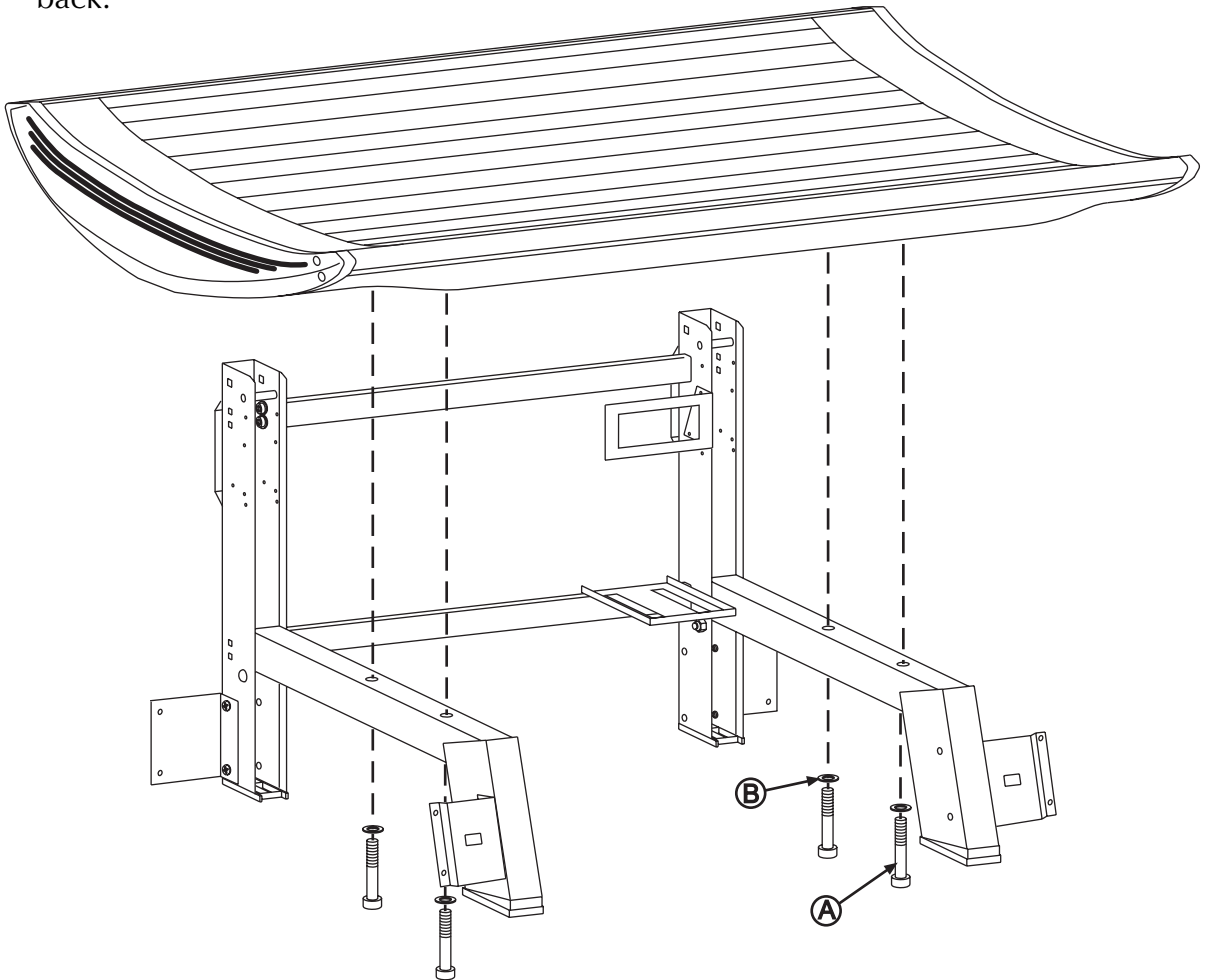




Attaching Bench to Stand

1. Place the sunbed bench carefully on the stand and fasten in position using the M8 x 80mm bolts (A) and the M8 washers (B). Position the bench with the electrical connector toward the back.

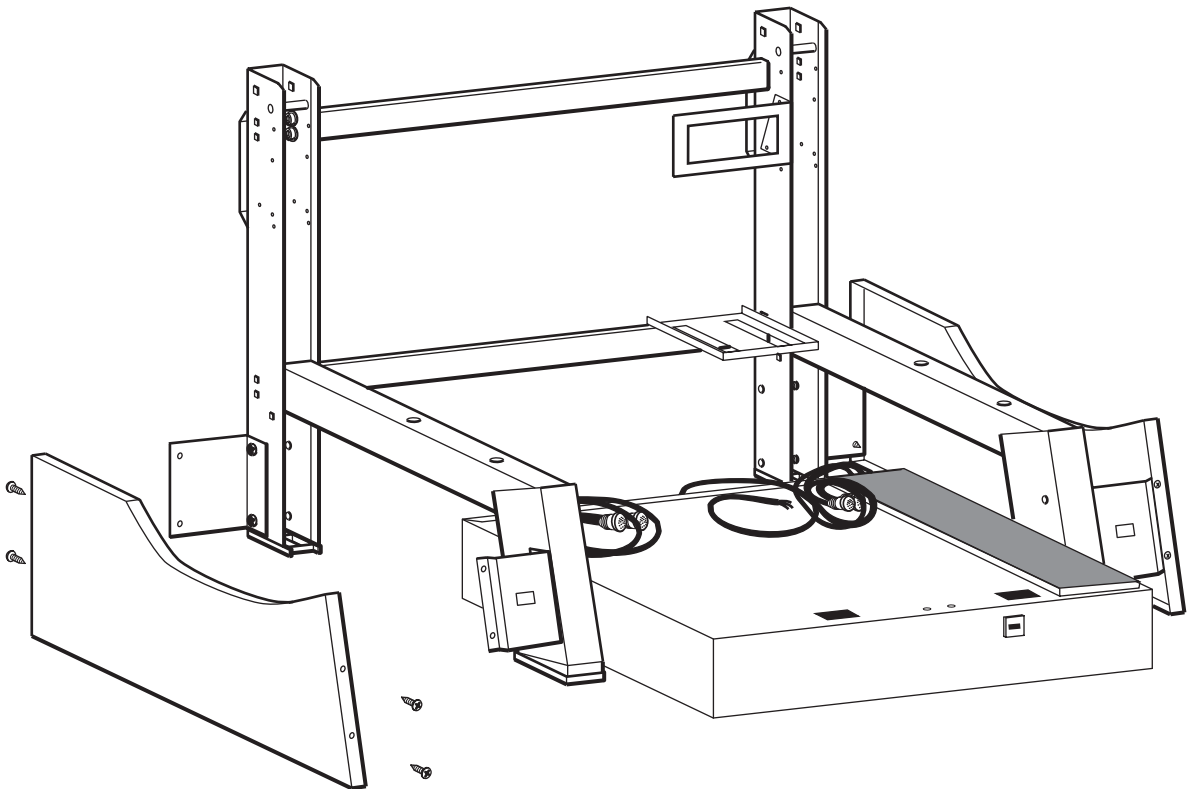
Tip: Fasten only one bolt on each end before inserting the other two.





Attaching Side Skirts

1. Place the side skirts against the two skirt mounting brackets at each end of the sunbed. Using eight #10 x 1/2" screws, attach the side skirts to the skirt mounting brackets. It is best not to tighten the screws until all are installed.
2. Place the ballast tray under the sunbed, with the power cords toward the rear of the unit as shown.



(Bench removed for clarity.)



Attaching Canopy to Stand

1. You may find it easier to attach the canopy to the stand if you have spacers which span the width of the bench. The unit was packed with spacer boxes for this purpose. Alternately, two 36" pieces of 2"x4" framing lumber work well for this purpose. Use these spacers to support the canopy during the next few steps. (See *figure 1*)
2. Lift the canopy assembly onto the bench (or spacers if you have them) with the arms (A) toward the back.
3. Insert the nylon floating bearings (C) into the canopy assembly arm (A). Attach the arm (A) to the stand legs (B) using the M8 x 60mm bolts (D), the plastic trim washers (F) and the M8 self-locking nuts (E).

NOTE: The plastic trim washers (F) have a ridge to engage the plastic caps (G). This ridge must face away from the stand legs to engage properly.

4. Press the plastic trim caps (G) over the bolt heads and self-locking nuts. They should snap onto the plastic trim washers (F).

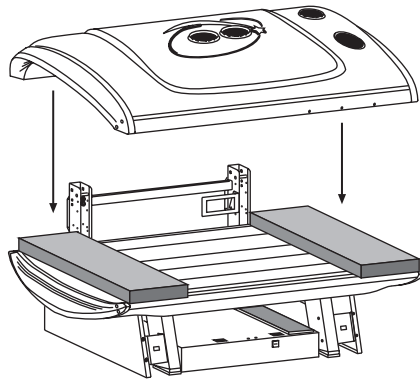
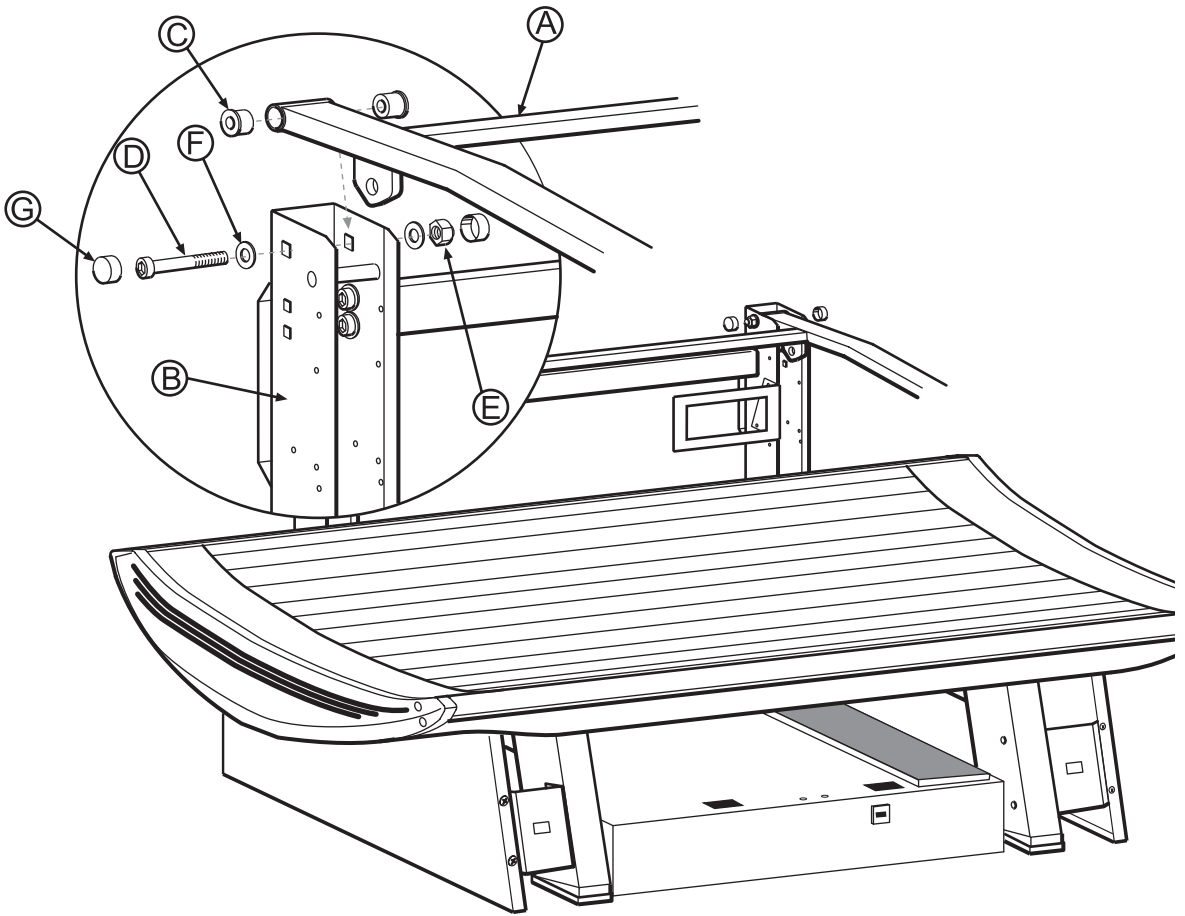


FIGURE 1

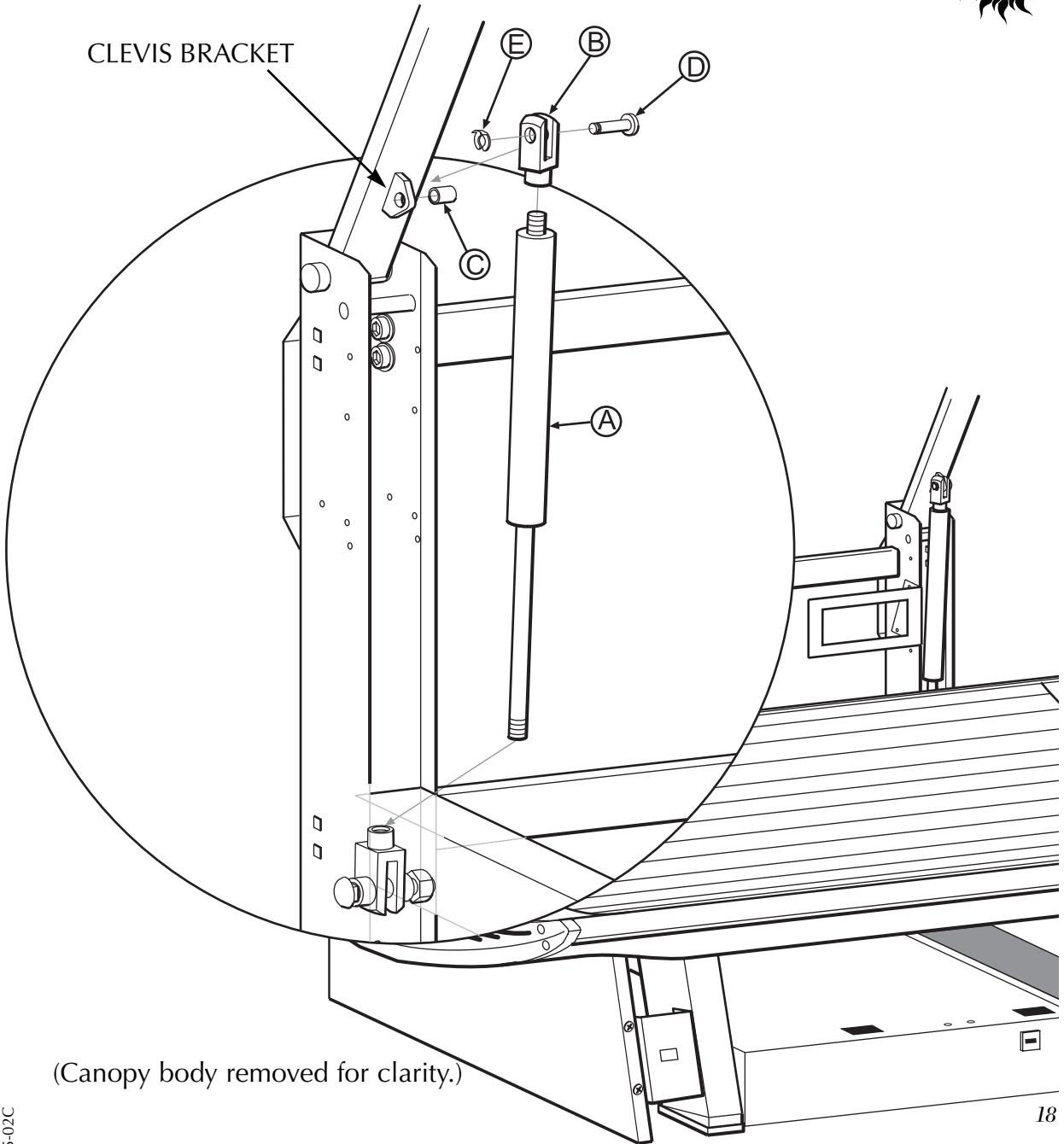


Canopy body not shown for clarity



5. Lift the canopy assembly to its fully open position and have two helpers hold it.
6. Screw the rod end of the gas springs (A) into the lower clevis forks previously attached to the stand legs. Screw the other clevis forks (B) to the piston end of the gas springs (A).
7. Now insert the bronze bushings (C) into the clevis bracket holes. Line up both clevis forks (B) and lower the canopy until the clevis forks (B) engage the bushings (C) and attach with the clevis pins (D) and retaining rings (E). Pay special attention when lowering the canopy that the clevis forks do not damage the bronze bushings. Bronze is excellent for smooth pivoting applications such as this, but tends to be a soft metal compared to the steel clevis fork.

NOTE: When this assembly is complete, lift and lower the canopy a few times to lubricate the gas springs for optimum performance.

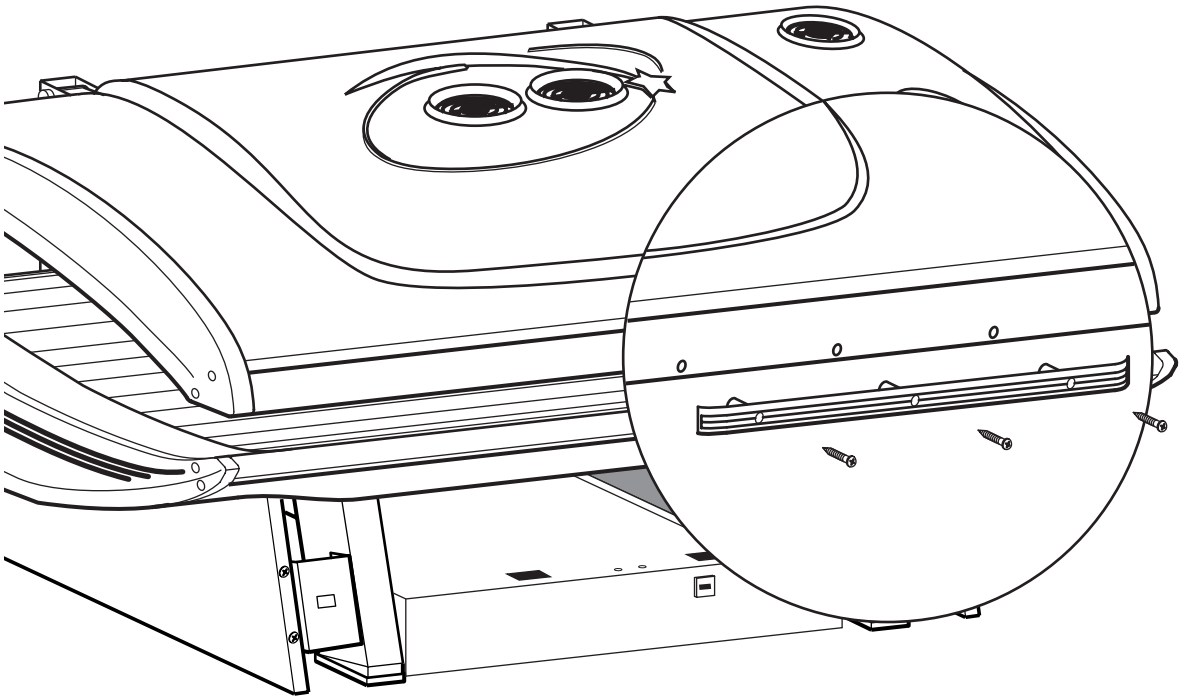


(Canopy body removed for clarity.)



Attaching Handle to Canopy

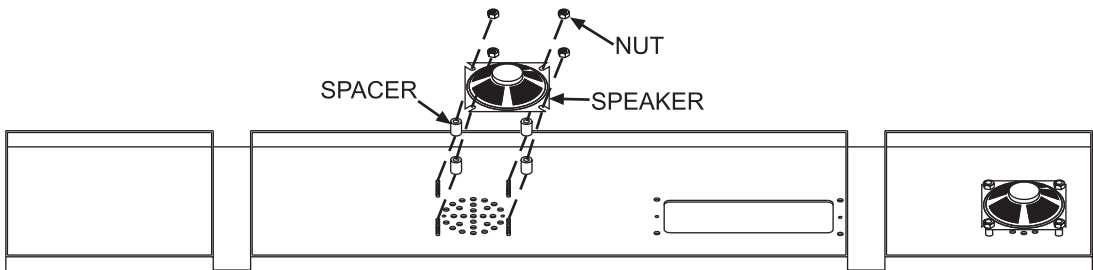
1. Install the handle by inserting the three #10 x 1" Phillips head screws through the handle and into the predrilled holes on the canopy.





Installing the Speakers

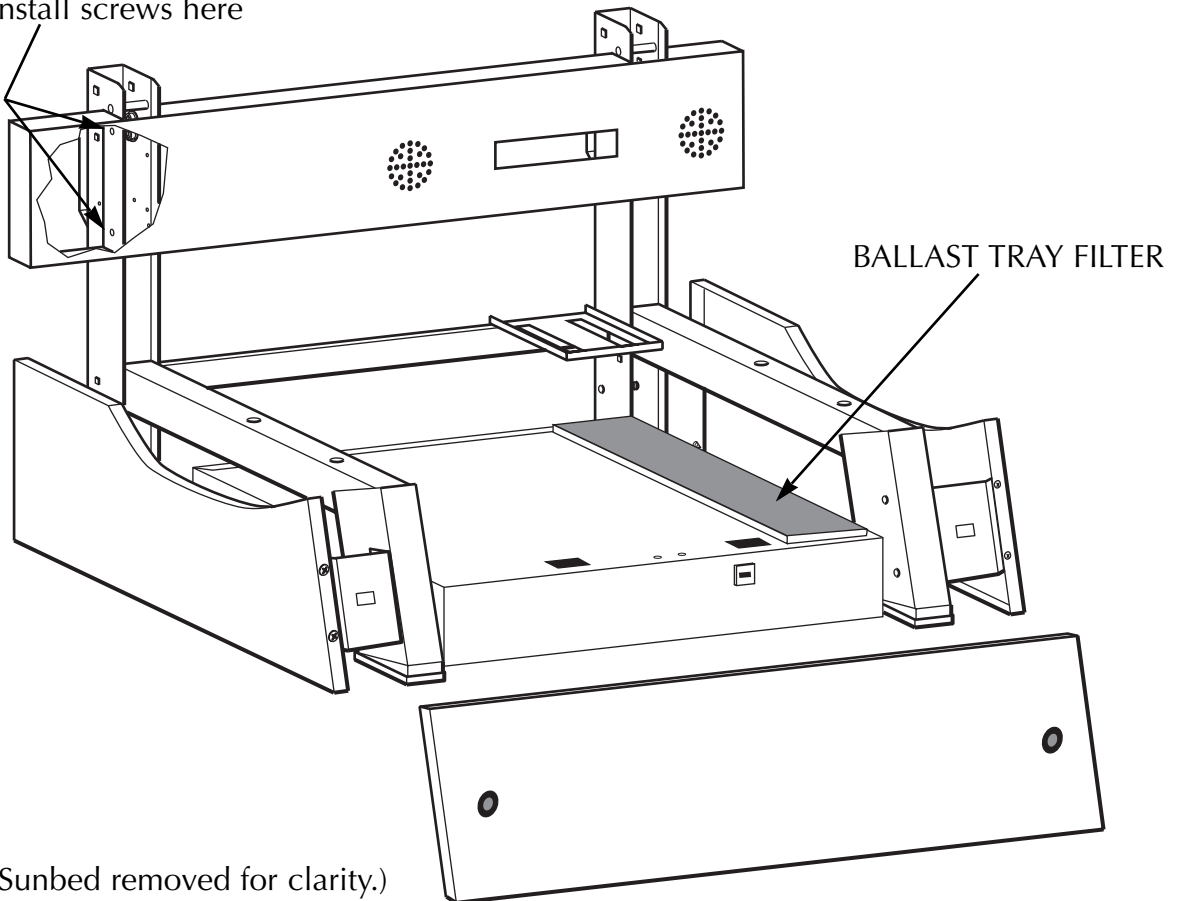
1. Place the Gas Spring Cover Panel face down. In the Stereo Installation Kit, find the hardware mentioned here. Put four plastic spacers on the screw studs around the speaker holes, as shown below.
2. Place a speaker onto the studs and secure with four nuts. Repeat for the other speaker.





3. Install the gas spring cover onto the stand legs, as shown. Secure using four #10 x 1/2" screws.
4. If not already done, position the ballast tray filter as shown. It simply sits on the ballast tray and is held in place by airflow when the unit is running.
5. Position the front skirt against the two brackets on the front of the stand. There is a slot in the underside of the bench that the front skirt is designed to fit into. Center the front skirt and use the skirt latch key to lock the skirt in place. Remove the protective film from the acrylic shield.

Install screws here

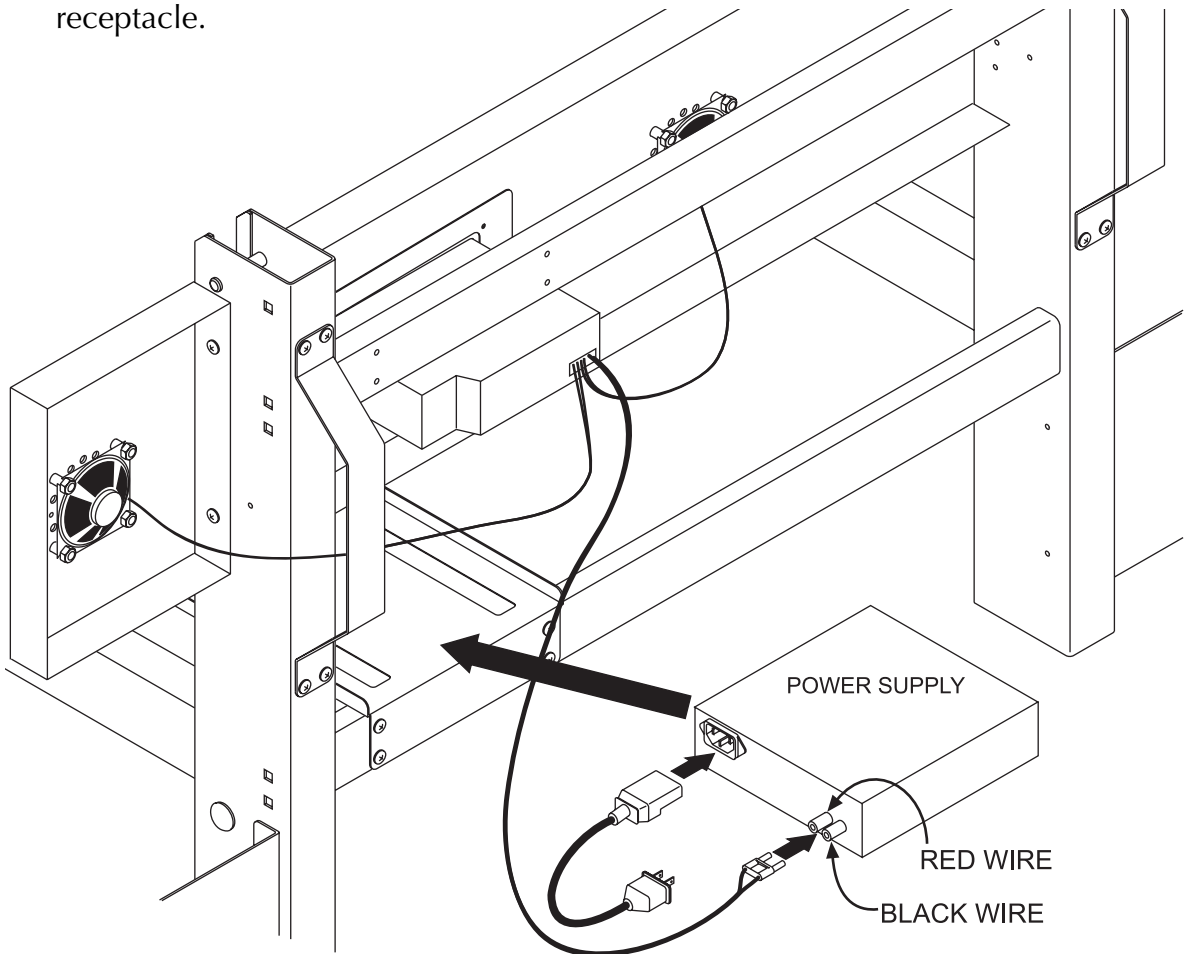


(Sunbed removed for clarity.)



Installing the Stereo

1. Follow the instructions included with the stereo installation kit to install the stereo.
2. Place the Power Supply onto the Power Supply Bracket. Plug its power cord into it and into a 110V wall receptacle.
3. Plug the two prong wire harness, from the stereo, into the Power Supply. Connect the speaker wires to the speakers. Turn the Power Supply on.



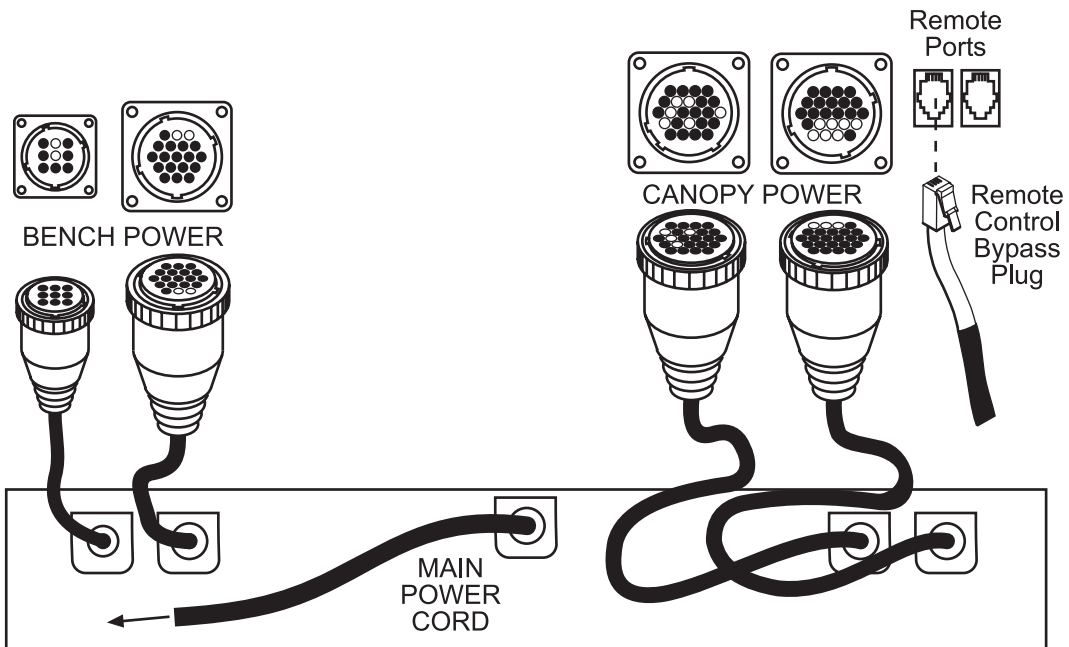


Electrical Connections

At the rear of the sunbed, connect the two canopy power cords and two bench power cords from the ballast tray to their respective power receptacles. Simply match the plug to the receptacle, push on firmly and secure by twisting the threaded locking ring. The Remote Control Bypass plug is already installed in one of the remote control ports as shown. Your sunbed will not operate without the Remote Control Bypass plug or a remote system connected. Connect main power cord as described in *Pre-Installation Planning*.

NOTE: Your sunbed is designed to accept an input from a remote control device. The remote control is optional. If you plan on using a remote system refer to *Remote Connections*.

ATTENTION: Although the Remote Control Bypass plug provided with your sunbed will work wherever a T-Max® terminator is called for in the series, the T-Max® terminator will not work as a bypass plug. Normally, a bypass plug is needed only when your sunbed is operated without a remote system connected.





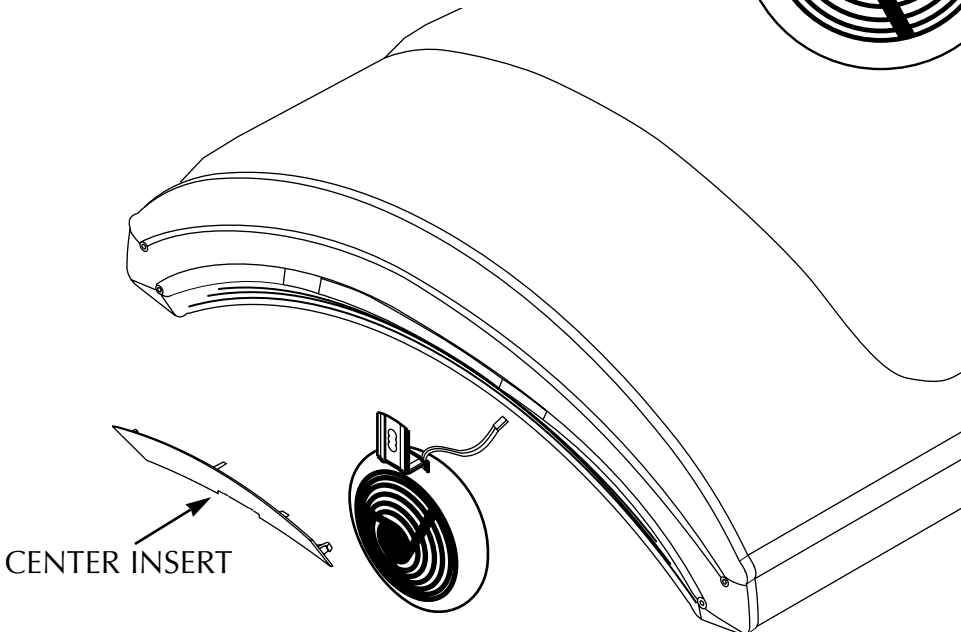
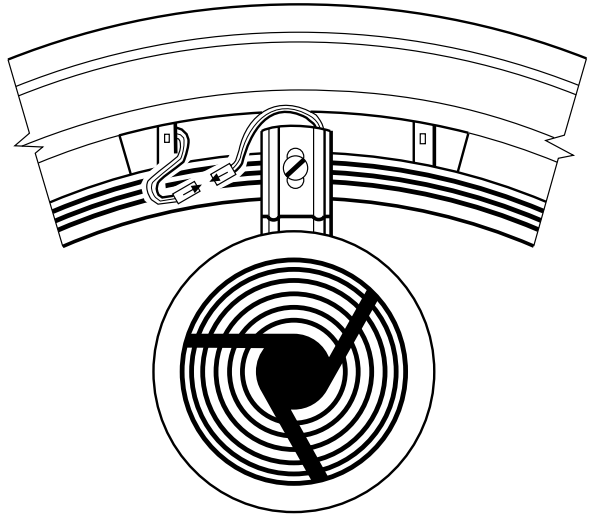
Body Fan Assembly

(body fan sold separately)

WARNING

Shock hazard.
Be sure power is disconnected before installing body fan.

Your sunbed is designed to accept a body cooling fan on the foot end canopy end-cap. Follow the instructions that come with the body fan for installation.





Remote Connections

Your sunbed incorporates advanced circuitry allowing it to connect and communicate with most remote control systems. If a remote system is to be used, first determine whether the remote system is a T-Max® System or a standard remote system operating with a control relay. Follow the appropriate instructions for your system type.

CAUTION

The remote connection is not designed to supply or accept high voltage, nor can it provide power to an external timer. The sunbed's remote interface circuitry operates on 5 volts, attempting to connect it to any higher voltages will damage the sunbed as well as void your warranty.

T-Max® Products

The T-Max® remote systems offer the ultimate in sunbed control, while allowing the tanner easy straightforward operation. Your sunbed is configured to directly connect to this system. The circuitry inside your sunbed eliminates the need for the T-Max® 1A or 3A when connecting to the T-Max® Manager series. Your sunbed supports the auto addressing feature of the latest T-Max® Manager models and the following parameters: 2, 5, 6, 7, 8, 9, 10, 14, and 15. See your T-Max® manual for descriptions of these parameters and how they function.

T-Max® Manager Remote System

This system is ideal for multiple sunbed installations. Simply connect the RJ-22 modular cable(s), described in the T-Max® Manager manual, into the remote port(s) located on the back of your sunbed and follow the instructions that came with your remote system, noting *figure 1*. If you have an older T-Max® Manager that doesn't support auto addressing, set the address, or "id", of each sunbed manually as described in *Setting the address manually*. You can place your sunbed at any location in the series.

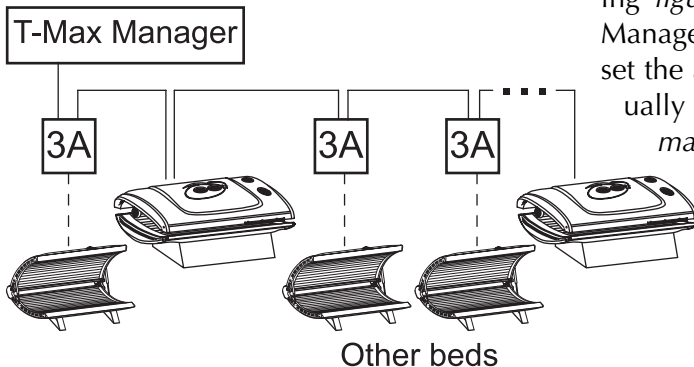


figure 1

NOTE: A T-Max® 1A can be substituted for the 3A in figure 1.



T-Max® 1A and 3A Remote Systems

The T-Max® 1A and 3A offer the same control as the T-Max® Manager in single sunbed installations. If you're using a 1A, it must have a chip labelled "master" installed on its circuit board. The remote control bypass plug must not be used in this configuration.

After you have set the T-Max® 1A's, or 3A's, address to "0" (refer to your T-Max® user's guide) and the sunbed's address to "1" (see right), simply connect the RJ-22 modular cables, described in the T-Max® user's guide, directly into either port located on the back of the sunbed and either port on the back of the T-Max® 1A or 3A. See *figure 2*.

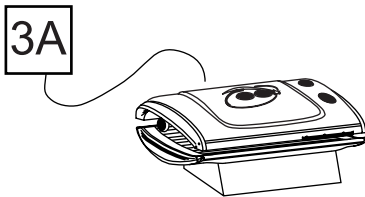


figure 2

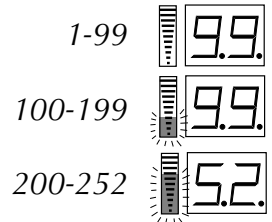
NOTE: A T-Max® 1A with a "master" chip can be substituted for a 3A in *figure 2*.

Setting the address manually

Before connecting your sunbed to the T-Max® Manager or T-Max® 1A or 3A, the address of your sunbed must first be set. Set the "id" manually as described below.

Setting the "id"

1. Make sure no cables are plugged into your sunbed's remote ports.
2. Remove and reapply power to the unit.
3. Press and hold the stop button, located on the sunbed display, for three seconds and release. The display should indicate an "id" number from "oF" to "252".



4. If you are using a T-Max® 1A or 3A as your remote, the "id" of the sunbed must be set to "1". If you are using a T-Max® Manager each sunbed must be assigned a different "id". To set the "id" press the timer button, to count up, or the body fan control button, to count down, until the desired number is achieved.
5. Press the stop button to return to the normal display mode.



Remote systems using a Control Relay

Most non-T-Max® remote systems control the sunbed by the use of a relay. The relay operates the sunbed by connecting and disconnecting a pair of wires leading from the sunbed. Refer to the user's manual provided with your remote system to determine if it operates in this way. To connect your sunbed to this type of system a remote interface kit is required. Contact your place of purchase to obtain the kit. *Figure 3* details a typical connection. Follow the instructions provided with the kit and from the remote's manual to make the necessary connections.

CAUTION
The remote connection is not designed to supply or accept high voltage, nor can it provide power to an external timer. The sunbed's remote interface circuitry operates on 5 volts, attempting to connect it to any higher voltages will damage the sunbed as well as void your warranty.

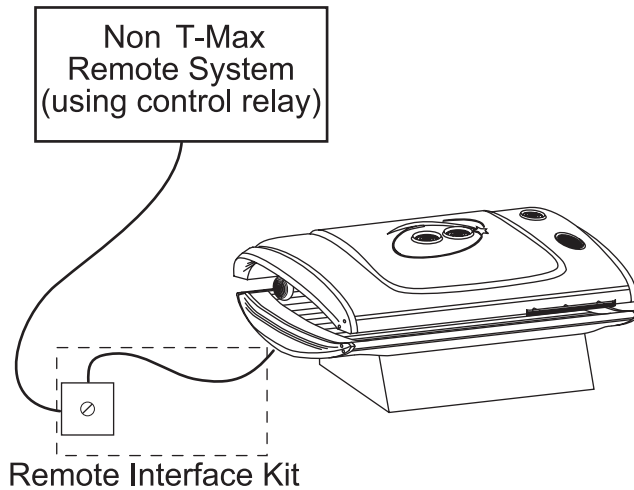


figure 3



Before You Tan

Before using your sunbed, please note the following important precautions.

- Your skin should be free of cosmetics, oils, or other body lotions prior to tanning except for those specifically made for use with tanning devices. However, do not remove natural body oils by bathing or showering immediately before tanning.
- Your hair should be free of gels, mousses, sprays, or other hair products prior to tanning. These products can cause damage to the sunbed acrylic. As an alternative, a shower cap or towel can be worn to keep treated hair away from the sunbed surfaces.

DANGER

Some medication may increase your sensitivity to ultraviolet light. It is recommended that you consult a physician before using this sunbed if taking any medication or if you suspect that your skin might be especially sensitive to sunlight. Included with this manual is an FDA booklet on medications that increase sensitivity to light.

Exposure Times

Follow the guidelines for skin type and exposure times as shown in the table below. Untanned persons should not tan on consecutive days during their first week of tanning. Never tan more than once a day. Tanning normally appears after the first few sessions and maximizes after approximately four weeks. Tan once or twice per week thereafter to maintain appearance. Persons already having a base tan may begin at advanced levels corresponding to the extent of their base tan.



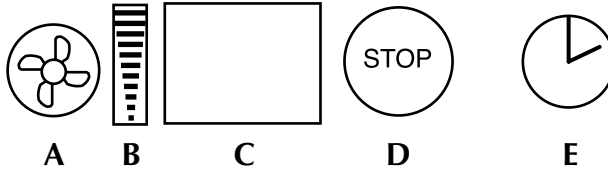
 DANGER

Shock hazard.
Do not operate this device near water or while you are wet.

RECOMMENDED EXPOSURE TIMES IN MINUTES		MAXIMUM EXPOSURE TIME IS 20 MINUTES				
Skin Type:	Level 1/Week 1 1st-3rd Sessions	Level 2	Level 3	Level 4	Subsequent Maximum	
I Sensitive Skin (Burns easily and severely and does not tan.)		NOT RECOMMENDED FOR TANNING				
II Light (Burns easily and severely and tans minimally.)	4	8	12	16	20	
III Normal (Burns moderately and tans average.)	6	10	15	20	20	
IV Dark (Burns minimally, tans easily and above average.)	8	12	16	20	20	



Using Your Sunbed



WARNING

Wear protective eyewear.
Failure to may result in severe burns or longterm injury to the eyes.

- A Body fan control** - Controls the speed of the body fan during use.
- B Body fan speed indicator** - Indicates speed of fan. (OFF - LOW - MED - HIGH)
- C Timer display** - Displays remaining time.
- D Stop button** - Interrupts tanning session.
- E Timer button** - Turns bed on. Timer display shows remaining time. If a lesser time is desired, press timer button until desired time is displayed.



1. Lift the canopy, lie down on the bench (face up), lower the canopy toward your body using the canopy handle. For best results, position the canopy as close to your body as possible.
2. Put on your safety goggles.

(Stand-alone unit or connected to a remote system using a control relay)

3. Press the timer button (E) to begin the tanning session. The lamps will turn on and the timer will begin to count down.
4. If a tanning time less than the displayed time is desired repeatedly press the timer button (E) to decrease the remaining time.
5. When the timer reaches "0" the lamps turn off. If you want to stop your session before time expires, press the stop button (D). You will have ten seconds to restart with the remaining time, otherwise the timer will reset to "0".
6. Raise the canopy by using the outer edge of the canopy, do not push up on the acrylic shield. The cooling fans run for a period of time after the lamps shut off to aid in cooling the sunbed.

(Connected to a T-Max® remote system)

3. Assuming the remote system has been set to allow a pre-tanning delay time, the timer display (C) will repeatedly flash the delay symbol "dL" and then the remaining delay time. Press the timer button (E) or wait until the delay time has expired to begin the tanning session. The lamps will turn on and the timer will begin to count down.
4. If a tanning time less than the displayed time is desired repeatedly press the timer button (E) to decrease the remaining time.
5. When the timer reaches "0" the lamps turn off. If you want to stop your session before time expires, press the stop button (D).
6. Raise the canopy by using the outer edge of the canopy, do not push up on the acrylic shield. The cooling fans run for a period of time after the lamps shut off to aid in cooling the sunbed. The timer will indicate ".." as a reminder to clean the sunbed. After the sunbed is cleaned press the timer button and the display will return to "0".



are and Maintenance

Cleaning After Use

Clean and disinfect your tanning bed's bench and canopy after each use. Use a non-abrasive disinfectant cleaner that **does not contain ammonia or ammonia derivatives**. Ammonia may damage the acrylic shield. Spray the acrylic lightly with disinfectant and wipe dry with a clean soft cloth. We recommend SunQuest® disinfectant and SunQuest® acrylic cleaner.

Thorough Periodic Cleaning

Introduction

The cooling fans draw air through the bed and over time will cause a dust buildup on the lamps and reflectors. This will reduce the tanning effectiveness of the bed. When a dust buildup is observed, it is necessary to thoroughly clean the inside of the bench and canopy.

	⚠ WARNING
	Shock hazard. Disconnect power before removing any protective covers.

Cleaning the Canopy and Bench

- Step 1** Remove the acrylic shields and lamps as described in *Lamp and Acrylic Replacement*.
- Step 2** With a soft cloth, wipe the entire

length of each lamp to remove any film buildup.

- Step 3** Clean both sides of the acrylic shields with a non-ammonia disinfectant cleaner.
- Step 4** Wipe the reflectors with a clean damp cloth.
- Step 5** Reinstall the lamps and acrylic shields.
- Step 6** Clean or replace air filter on top of ballast tray. Replace with a 10" x 24" x 1" furnace filter.

Mechanical Inspection

Your tanning bed has been built for years of service. To ensure trouble-free operation throughout its life, inspect the unit's mechanical integrity every 400-500 hours of use.

- Inspect the unit's fasteners verifying that all are firmly in place.
- Inspect gas springs for signs of wear. Gas springs that will not hold the canopy in the full open position when raised should be immediately replaced. See *Troubleshooting*.
- Inspect the AC power cord and its connections.
- Inspect the acrylic. Broken, cracked or badly scratched acrylics should be immediately replaced.



Lamp and Acrylic Replacement

Introduction

To be assured of maximum tanning effectiveness, change lamps after approximately 800-1000 hours of use. Tanning will continue after this time but at a slower rate. To ensure trouble-free operation of your sunbed, replace the lamp starters whenever the lamps are replaced.

	⚠ WARNING
	Shock hazard. Disconnect power before removing any protective covers.

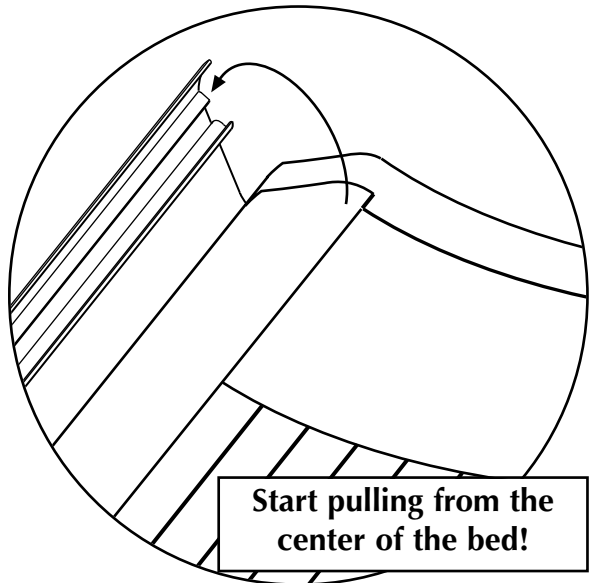
Removing/Replacing Acrylic Shield

The acrylic shields in the bench and canopy are secured in place by hinged profiles which run the length of the bed, both front and back. Simply pry up on the inside edge of the profile, starting at the center of the bed, until it releases its latching action (see figure at right). Continue to pry up the profile across its entire length until it swings back freely. Repeat for the other profile. The long edges of the acrylic shields are now exposed.

Standing at the front of the unit, lift the exposed edge of the acrylic slightly and carefully begin sliding it toward you until it is removed from the sunbed. This might be easier with the help of another person.

After changing the lamps, replace the acrylic shield by carefully aligning it with the channels on the ends of the sunbed and sliding it into place. Close the hinged profile by pushing it back into place until it snaps tight.

⚠ CAUTION
Be careful. The edges of the acrylic shield may be sharp.





Removing/Replacing Lamps

After removing the acrylic shield, replace lamps as follows.

- Step 1 Grasp the lamp at one end and at the middle and turn the lamp one quarter turn. Gently remove the lamp from its holders.
- Step 2 Reinstall the lamp by inserting the pins located on the ends of the lamp into the slots on top of the lamp holders and turn the lamp a quarter turn. It should click in place.

Recommended Replacement Lamps

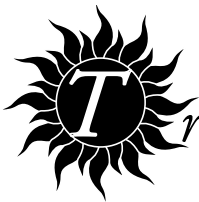
We recommend using the lamps specified below. Use of uncertified lamps is a violation of Federal regulations and will void your warranty. These lamps have an average life of 800-1000 hours of effective tanning use. Lamps used longer than that begin to lose their effectiveness even though they continue to light.

Recommended Replacement Acrylics

Acrylics vary greatly over time in their ability to effectively transmit UV light. Acrylics sold by ETS have been life tested to ensure proper transmission throughout their useful life.

ONLY THE FOLLOWING LAMP HAS BEEN CERTIFIED FOR USE IN THIS EQUIPMENT:

Comet™ Wolff® Model PB71-T12-175 Bi-Pin



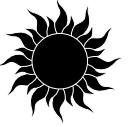
troubleshooting

Problem	Solution
Sunbed not tanning	<ol style="list-style-type: none"> 1. Clean sunbed, see <i>Thorough Periodic Cleaning</i>. 2. Ensure supply voltage is between 208 and 230V AC. 3. Replace lamps if lamp hours are greater than 800hrs. 4. Replace acrylic.
Lamps fail to light and timer display is blank	<ol style="list-style-type: none"> 1. Make sure the unit is connected to a power source. 2. Check source of AC power. Reset circuit breaker or replace fuse.
The last minute of tanning time does not count down from 59 seconds, but some time less than 59 seconds	<p>If the timer button has been pressed to decrease tanning time during the session, the time expired in the current minute is subtracted from the last minute.</p>
One or more lamps fail to light	<ol style="list-style-type: none"> 1. Check that lamp is installed correctly. 2. Switch unlit lamp with a lamp that lights, if new lamp lights and old lamp still does not, replace old lamp.
The canopy will not stay up	<p>NOTE: Gas springs are manufactured to hold the canopy in its fully open position as well as allow it to rest fully closed. If left open for an extended period of time some creep down may occur. This is considered normal. Keep the unit closed when not in use. If the canopy will not stay fully open when raised...</p> <ol style="list-style-type: none"> 1. Raise and lower the canopy a few times to lubricate gas spring internal seals. 2. Replace gas springs.
I forgot what address, or "id", I set my sunbed to	<p>By holding the body fan button for 3 seconds the timer display will briefly display three numbers; the installed timer software version, a factory set timer code and then the sunbed's "id" number.</p>
My bed is connected to a T-Max® remote system but I am having trouble getting into "id" mode	<p>You have probably attempted to connect your sunbed to the remote system already. Disconnect the remote plug(s) from the ports at the back of the sunbed, wait 90 seconds and try again.</p>
When auto addressing the first bed does not register an "id"	<p>When using the auto address feature of the T-Max® Manager you must wait 10 seconds from the time you start the auto address function before addressing the first bed.</p>

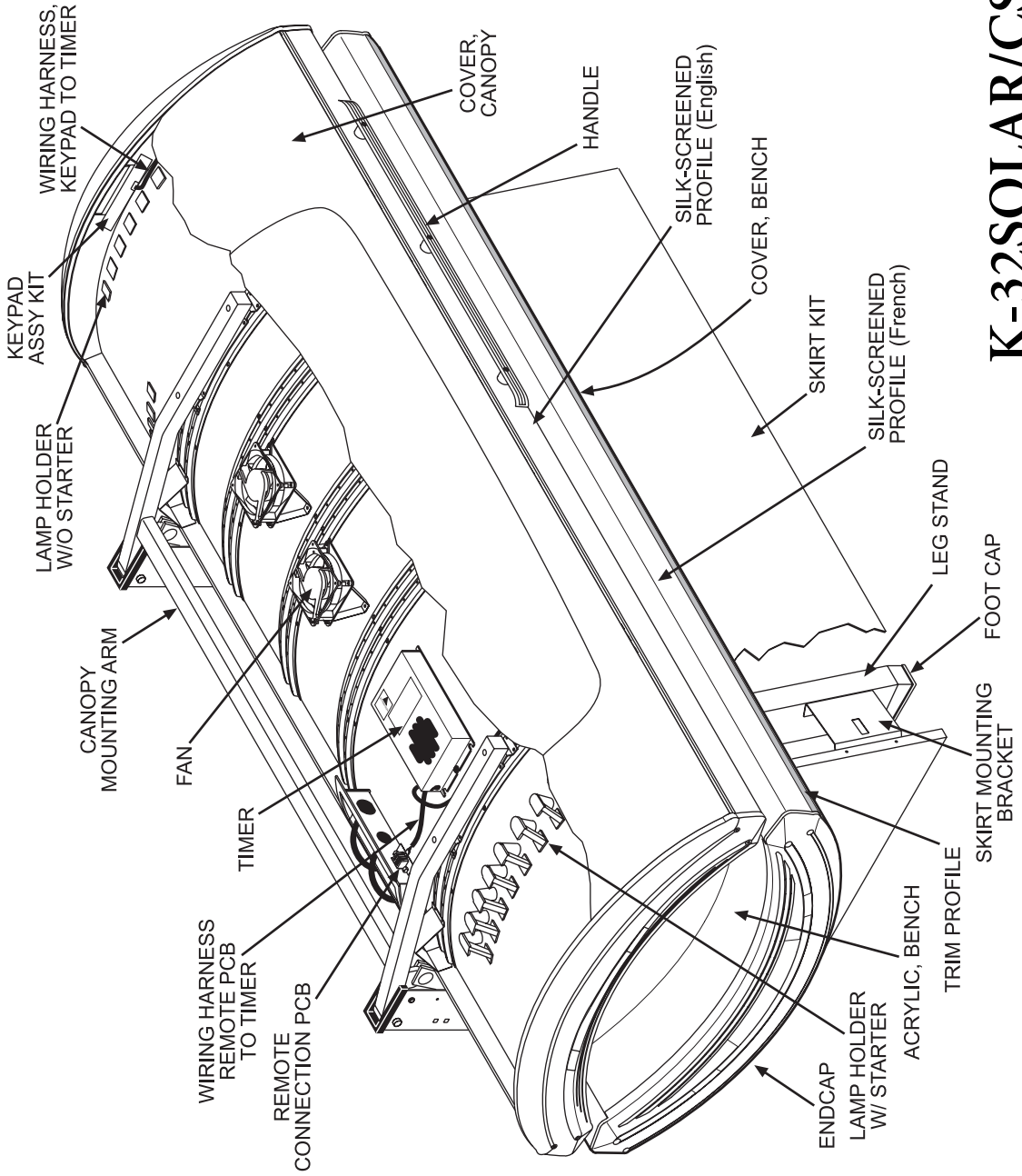
Problem	Solution
My bed won't work with the T-Max® Manager remote system	<ol style="list-style-type: none"> 1. The sunbed must first be set to a unique address, see <i>Remote Connections</i>. 2. The bypass or terminator plug may be installed in the series in an inappropriate location. Plug the bypass plug only into the bed at the end of the series.
Timer display changes to indicate a tanning time after the timer button is pressed but lamps do not come on	<ol style="list-style-type: none"> 1. Bypass plug is not installed, see <i>Electrical Connections</i>. 2. A T-Max® terminator has been used. See ATTENTION in <i>Electrical Connections</i>. 3. If remote is being used, other than T-Max® Manager, the external timer may not be activated. 4. Remote wiring is incorrect, see the instructions provided with the remote interface kit.
My bed is connected to the T-Max® Manager remote system and when the delay time has expired the timer display starts counting down but the bed lights do not come on	The auto start feature of the remote system is disabled, see the instructions provided with your remote system.
My bed, connected to a T-Max® Manager, did not display "dL" but does indicate: "0" a tanning time and the lamps have come on a tanning time but the lamps have not come on	<ol style="list-style-type: none"> 1. Remote device has not been set. 2. The sunbed has not been connected to the remote system, see <i>Remote Connections</i>. <ol style="list-style-type: none"> 1. Delay time of T-Max® Manager has not been set. 2. Delay time has expired and session has begun. Auto start function of T-Max® Manager has been turned off. Press the timer button to turn on lamps.
Timer display continues to show a 0 after the timer button is pressed	<ol style="list-style-type: none"> 1. T-Max® Manager remote system has not yet been set. 2. Sunbed address is not set correctly, see <i>Remote Connections</i>.
My salon suffers frequent, short power outages and clients complain about losing session time	If you have a T-Max® Manager, changing parameter 23 from "0" to "1" will allow the tanning bed to remember how much time was left when power goes out and resume its session after power is restored. Consult your T-Max® Manager manual for information on setting parameters.

<i>Problem</i>	<i>Solution</i>
Timer display is indicating Er 1	Body lamps are on when they should be off, have service technician check the contactor.
Timer display is indicating Er 2	Body lamps are off when they should be on, have service technician check contactor and its wiring from the main timer box.
Timer display is indicating Er 3	Bench lamps are on when they should be off, have service technician check the contactor. (Units with separate bench contactor only.)
Timer display is indicating Er 4	Bench lamps are off when they should be on, have service technician check the contactor and its wiring from the main timer box. (Units with separate bench contactor only.)
Timer display is indicating Er 5	Not currently used
Timer display is indicating Er 6	Not currently used
Timer display is indicating Er 7	Face Tanner contactor is closed when it should be open, have service technician check the contactor.
Timer display is indicating Er 8	Face Tanner contactor is open when it should be closed, have service technician check the contactor and its wiring from the main timer box.
Timer display is indicating Er 9	Ballast Drawer is open or drawer switch is broken.
Timer display is indicating Er 10	Timer computer is in an illegal state, reset power to correct, replace main timer if error reoccurs.
Timer display is indicating Er 11	Timer computer is in an illegal state, reset power to correct, replace main timer if error reoccurs.
Timer display is indicating Er 12	Timer computer is in an illegal state, reset power to correct, replace main timer if error reoccurs.
Timer display is indicating Er 13	Timer computer is in an illegal state, reset power to correct, replace main timer if error reoccurs.

<i>Problem</i>	<i>Solution</i>
Timer display is indicating Er 14	<p>The timer display is not responding;</p> <ol style="list-style-type: none"> 1. Check cable to display. 2. Replace display assembly. 3. Replace main timer box.
Timer display is indicating Er 15	Timer computer is in an illegal state, reset power to correct, replace main timer if error reoccurs.



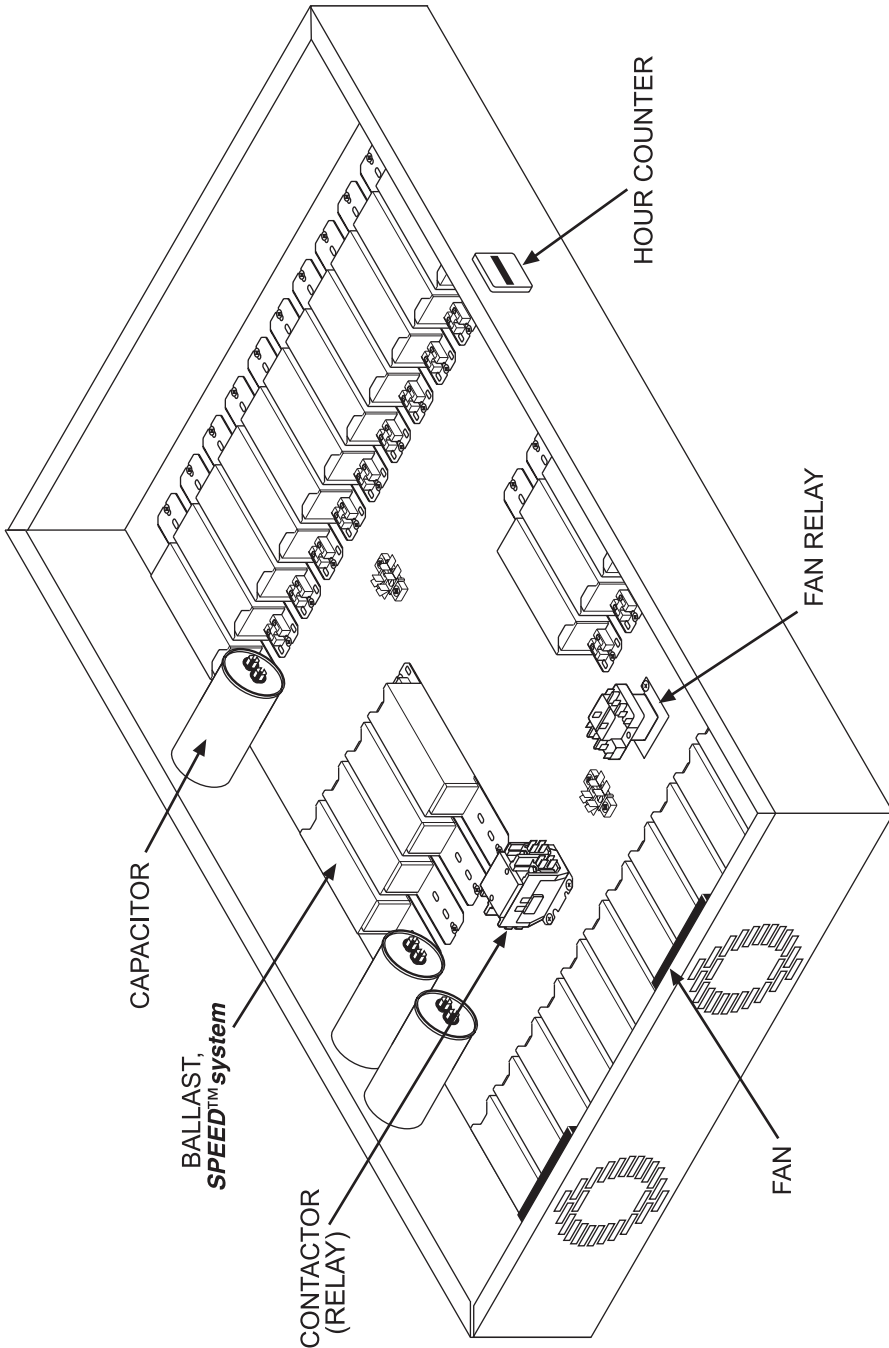




K-32SOLAR/CSA

CALL FOR SERVICE OR QUESTIONS: 1•800•449•3605
ETS, Inc. 6270 Corporate Drive, Indianapolis, IN 46278-2900

Ballast Tray



CALL FOR SERVICE OR QUESTIONS: 1•800•449•3605
ETS, Inc. 6270 Corporate Drive, Indianapolis, IN 46278-2900

Parts List

This is a list of parts which may be replaced by the consumer. Care should be taken when replacing anything related to electrical wiring. We recommend contacting a professional electrician. When calling for parts, first state your bed model as K-32SOLAR/CSA. Then refer to this list and preceding illustrations for proper part identification.

Access Panel Key, for Front Skirt Panel*

Acrylic, Bench

Acrylic, Canopy*

Ballast, **SPEED™ system**

Bushing, Bronze 10mm*

Body Fan Kit* (optional)

Canopy Mounting Arm

Capacitor, 75uF

Contact (Relay)

Cover, Bench

Cover, Canopy

Endcap, Kit (with inserts)

Fan

Fan Relay

Filter*

Foot Cap

Gas Spring Cover Panel*

Gas Springs*

Handle

Hardware Blister Pack*

Hour Counter

Keypad Assy Kit

Lamp Holder w/ Starter

Lamp Holder w/o Starter

Lamps*

Leg Stand and Skirt Bracket Kit

Manual*

Pillow*

Profile* (Quick Clip™)

Remote Connection PCB

Remote Control Bypass Plug*

Schematic Packet*

Silk-screened Profile (English)

Silk-screened Profile (French)

Skirt Kit

Speakers* (pair)

Starter, K-12 (main lamps)

Stereo*

Stereo Antenna*

Stereo Installation Hardware Kit*

Stereo Power Supply*

Timer

Trim Profile, (grey) full length

Trim Profile, (grey) canopy rear middle*

Trim Profile, (grey) canopy rear ends*

Wiring Harness, Keypad to Timer

Wiring Harness, Remote PCB to Timer

* Not shown

Record this information for ease of service:

Date of purchase: _____

Bench serial number: _____

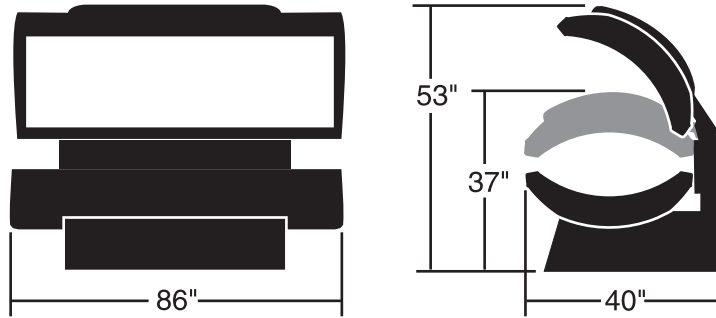
Canopy serial number: _____

Ballast tray ID number: _____

CALL FOR SERVICE OR QUESTIONS: 1•800•449•3605
ETS, Inc. 6270 Corporate Drive, Indianapolis, IN 46278-2900

SolarSystem 32

Size



Weight (Pounds) 600

Minimum Room Size 7' x 9'

Electrical -

Voltage (AC) 220

Amperage 17

Circuit Breaker (Amps) 30

Outlet Hardwire

Main Lamps **Comet™**

Ballasts **SPEED™ system**

Cooling System 230cfm "Turbo"(optional)

Timer System Digital

Max. Exposure Time 20minutes

Back-up Timer On-board "Watchdog"

Remote Capability T-Max® compatible



CALL FOR SERVICE OR QUESTIONS:
1 • 800 • 449 • 3605
6270 Corporate Drive Indianapolis, IN 46278-2900

