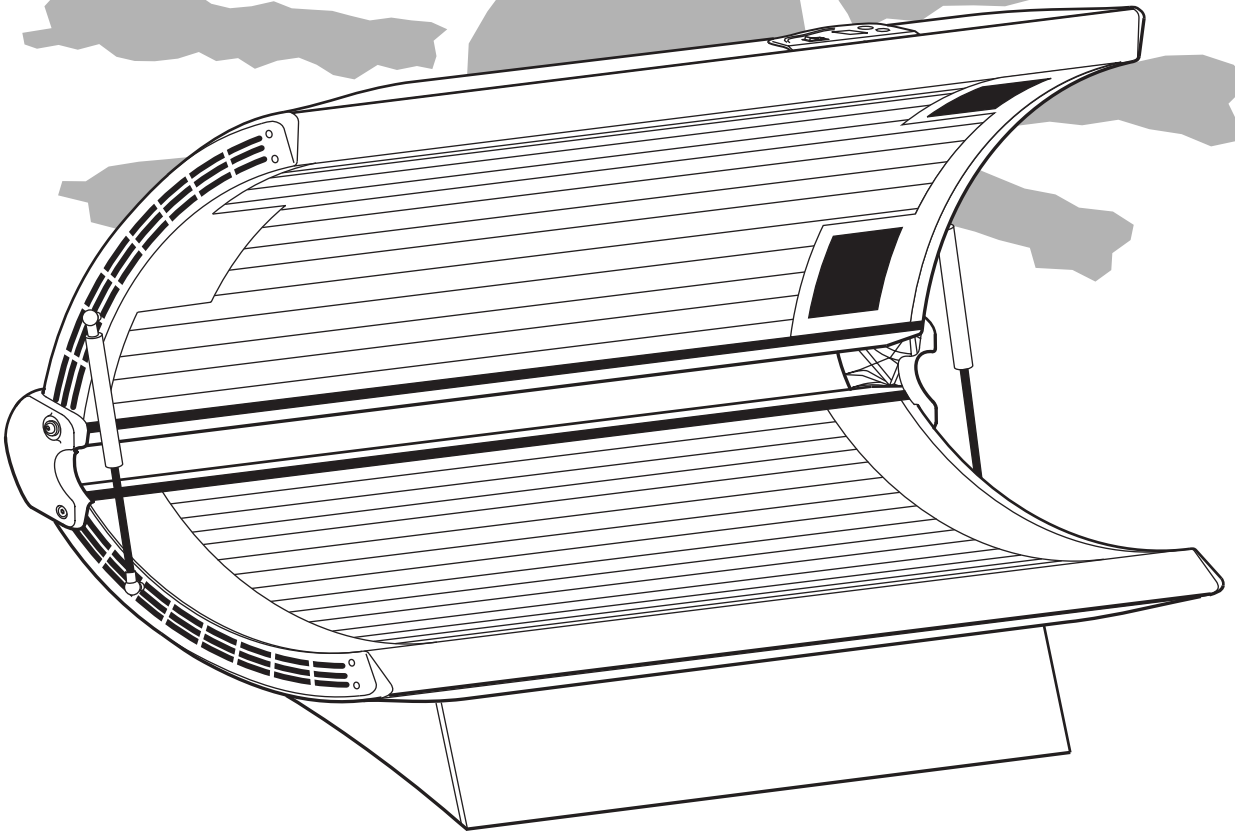


SUNVISION[®]



MODELS PRO 28LE / 28LET / 28LE2F USER GUIDE

23828-01A

Limited Lifetime Warranty

SUNVISION® warrants your tanning unit to be free of structural defects in its material and workmanship, under normal use, for its lifetime. **SUNVISION** will repair or replace, at their discretion, any defect to the structure which affects the performance of the unit.

For 6 months from the date of purchase, **SUNVISION** will provide replacements for parts that prove to be defective in material or workmanship. Acrylic shields, fluorescent lamps, and lamp starters are excluded from this warranty. Labor will be covered for 30 days from purchase date. Normal wear, damage from misuse or abuse, damage incurred in transit, or damage done by unauthorized repairs or modifications are not covered by this warranty.

ETS, Inc. disclaims any implied warranty of merchantability or fitness for any period beyond the expressed warranty. Some states do not allow limitations on how long an implied warranty lasts, so the above limitations may not apply to you.

No one has authority to change or modify this Limited Lifetime Warranty in any respect. To obtain service under the Limited Lifetime Warranty, contact **ETS, Inc.** at **1-800-228-6292**, and ask for the Technical Service Department.

ETS, Inc. shall not be liable for loss of use, loss of time, inconvenience, rental or substitute products, loss of business, loss of income, or any other incidental or consequential damages. Some states do not allow the exclusion or limitation of incidental or consequential damages, so the above limitation or exclusion may not apply to you.

This warranty gives you specific legal rights, and you may also have other rights which may vary from state to state.

All warranty service must be performed by an authorized service person. If your tanning unit must be returned for service, all freight charges must be at your expense. Contact your place of purchase for the address of the **SUNVISION** Service Center nearest you. Proof of purchase is required to obtain warranty service.

This warranty covers the original purchaser only. This warranty is void if the unit is modified in any manner from its original design.



Safety Information

LABELING NOTICE: Labels are affixed on all systems to inform the user of possible dangers. Regulations are stated in 21 CFR 1040.20, and require that all products manufactured after September 8, 1986 which use sunlamps must display the following:

DANGER Ultraviolet radiation. Follow instructions. Avoid overexposure. As with natural sunlight, overexposure can cause eye and skin injury and allergic reactions. Repeated exposure may cause premature aging of the skin and skin cancer. WEAR PROTECTIVE EYEWEAR; FAILURE TO MAY RESULT IN SEVERE BURNS OR LONGTERM INJURY TO THE EYES. Medications or cosmetics may increase your sensitivity to the ultraviolet radiation. Consult physician before using sunlamp if you are using medications or have a history of skin problems or believe yourself especially sensitive to sunlight. If you do not tan in the sun, you are unlikely to tan from the use of this product.

To use, lie down under canopy and pull down as far as adjustment will allow. Minimum use distance from face tanner is 1 inch or 2.54 centimeters. Minimum use distance elsewhere is touching the clear plastic panels. Do not use without clear plastic panels in place. Untanned persons should not tan on consecutive days during their first week of tanning. Never tan more than once a day. Tanning normally appears after the first few sessions and maximizes after approximately four weeks. Tan once or twice per week thereafter to maintain appearance. Persons already having a base tan may begin at advanced levels corresponding to the extent of their base tan.

RECOMMENDED EXPOSURE TIMES IN MINUTES		MAXIMUM EXPOSURE TIME IS 20 MINUTES				
Skin Type:		Level 1/Week 1 1st-3rd Sessions	Level 2	Level 3	Level 4	Subsequent Maximum
I Sensitive Skin (Burns easily and severely and does not tan.)		NOT RECOMMENDED FOR TANNING				
II Light (Burns easily and severely and tans minimally.)		4	8	12	16	20
III Normal (Burns moderately and tans average.)		6	10	15	20	20
IV Dark (Burns minimally, tans easily and above average.)		8	12	16	20	20

New lamps emit approximately 10% more ultraviolet radiation during the first 50 hours of operation. Recommended tanning times should therefore be reduced by approximately 10% during that period.

WARNING: • Read the instructions booklet before using this sunlamp product. • All persons in the room should wear protective eyewear when lamps are on. Recommended eyewear: provided eyeshields (Lucas Products Super Sunnies or Intrexco No. 5635/1) or equivalent eyewear as defined under 21 CFR 1040.20. Other types of eyewear may not provide adequate protection.

ONLY THE FOLLOWING LAMPS HAVE BEEN CERTIFIED FOR USE IN THE MODEL PRO 28LE:

Velocity® Wolff® Model VEL 71-T12-100W

Turbo Sun™ S Wolff® Model F8-T5-10W (Turbo Face Lamps in 28LET)

Philips Model HPA 400/30s or CosmoTech Model 23045 or 20046 (SolarMax™ IFT Facial Unit Lamps in 28LE 2F)

DISCONNECT POWER CORD BEFORE ATTEMPTING TO CLEAN, RELAMP, OR ENGAGE IN THE MAINTENANCE OF THIS PRODUCT.

THIS EQUIPMENT MUST BE EARTH GROUNDED. THIS PRODUCT IS IN CONFORMITY WITH PERFORMANCE STANDARDS FOR SUN LAMP PRODUCTS UNDER 21 CFR PART 1040.20



Installation

Unpacking and Inspection

Your sunbed comes in two cardboard cartons, one for the bench and one for the canopy or top deck. Open the cartons and remove the bench and canopy as follows.

The bench and canopy are each wrapped in plastic. Pull back the plastic and, with a helper, grasp the bench and pull it from the carton bottom, leaving the plastic wrap and the carton packaging. Do the same for the canopy. Do not try to lift either unit with the plastic still on as it may slip.

Note! The cartons are reusable, in the unlikely event that you may find it necessary to return your sunbed.

The canopy box contains the canopy unit and a pair of gas springs. The bench box contains the following items:

- Bench Unit
- Front and side skirts with mounting screws
- Box containing necessary assembly hardware, safety goggles, and pillow
- Box containing two stand legs

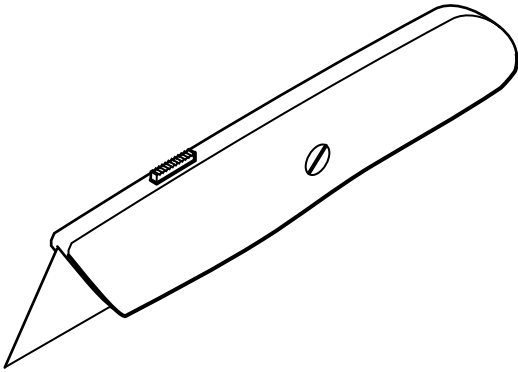
Inspect these items, including the canopy and bench, and make sure they are free from any visible damage. Report the extent of any damage to the transportation company.

Record the serial numbers of the canopy and bench in the area provided at the back of this manual. This information will be required whenever you call customer service.

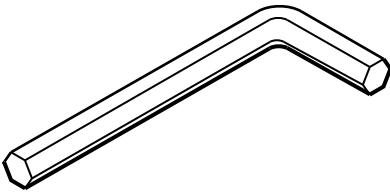


Tools Required

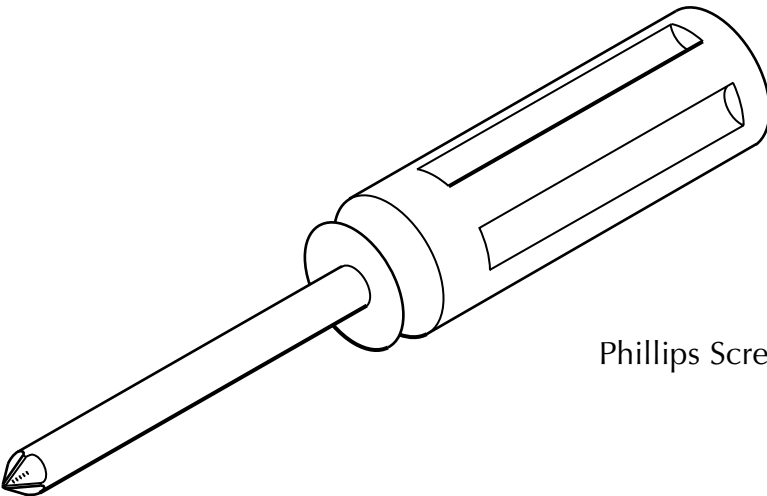
You will need the following tools to assemble your sunbed.



Utility Knife



Allen Wrench
(Supplied in hardware kit)



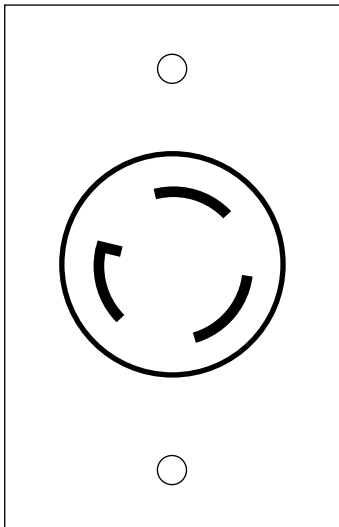
Phillips Screwdriver



Pre-Installation Planning

Before you begin to assemble your sunbed, you should observe the following pre-installation considerations.

- Your sunbed operates from a 220V AC source. You should have a NEMA L6-30R electrical outlet (like the one shown below) installed in the room in which you will use the unit. The outlet should be on a dedicated circuit capable of providing 30 Amp service. We recommend installation by a professional electrician. The outlet must be earth grounded.
- Make sure the room in which you intend to use your sunbed is well ventilated. Air from the room is used to cool the sunbed, and a poorly ventilated room may cause the unit to become hot and cause discomfort to the user.
- Your sunbed is designed to operate in an ambient room temperature of 80°F maximum and 70% relative humidity.
- Place your sunbed no closer than 6" from any wall. Make sure that curtains, drapes, and other room furniture do not obstruct the airflow into the end caps or out of the fan opening areas.
- Proper assembly of your sunbed requires three people. Plan to have a couple of helpers assist you.



**30 AMP NEMA #L6-30R RECEPTACLE
REQUIRED FOR 28LE SERIES**

IMPORTANT!

Use of a voltage source above 230V AC may prevent proper operation of the sunbed and could cause damage and void the warranty.

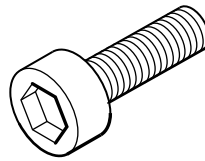


Assembly Procedures

Hardware Inventory

Use the utility knife to cut open the hardware box and remove the small bag of hardware. In addition to a small Allen wrench and pillow, make sure you have the following hardware items.

NOTE: The larger 5/16" metal washers and six 5/16" Allen-head bolts may be pre-installed in the bottom of the bench.



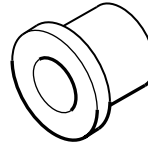
Allen-head Bolt
5/16" x 1"
Quantity 8



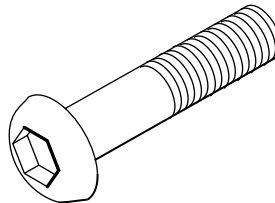
5/16" Metal Washer
Quantity 6



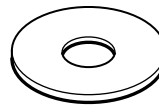
5/16" Metal Washer
Quantity 2



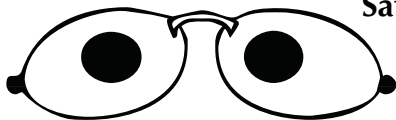
Bushing
Quantity 2



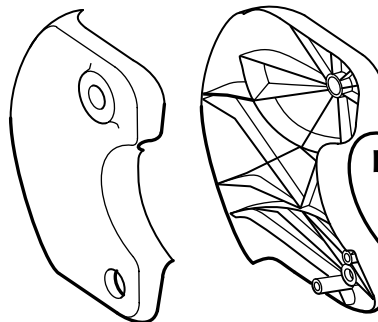
Allen-head Bolt
5/16" x 1 1/2"
Quantity 2



Nylon Washer
Quantity 2



Safety Goggles
Quantity 1



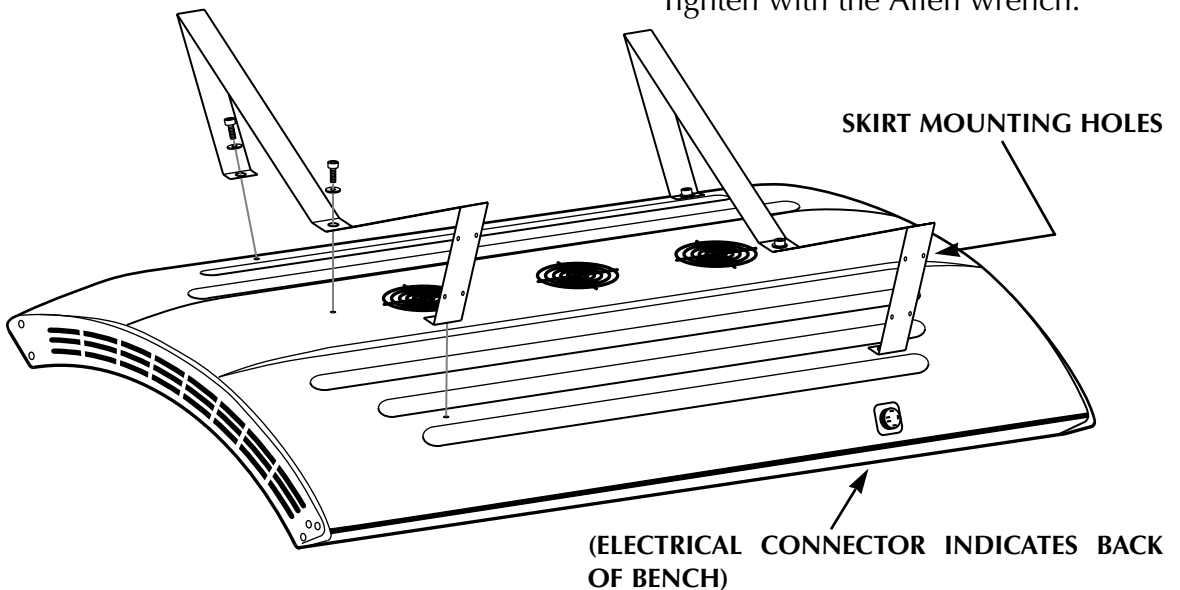
Hinge Brackets
Quantity 2
(left and right)



Attaching Legs to Bench

Lay the bench upside down on the floor. Locate the two stand legs and attach to the bench as shown below.

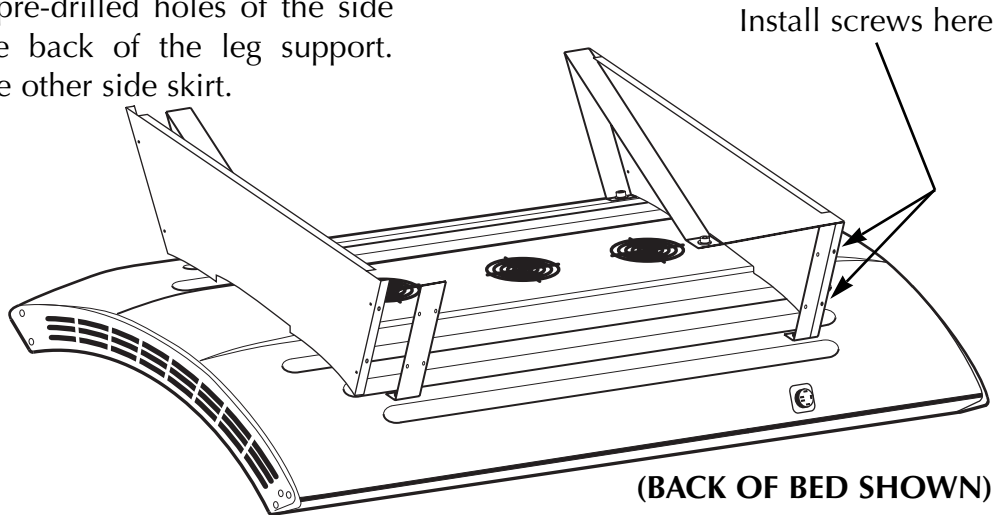
1. Using six 5/16" x 1" bolts and the six larger 5/16" washers (pre-installed), attach the stand legs with the skirt mounting holes toward the back of the bench as shown. Install center bolt first. You may have to gently push sides of legs in to align holes. Tighten with the Allen wrench.



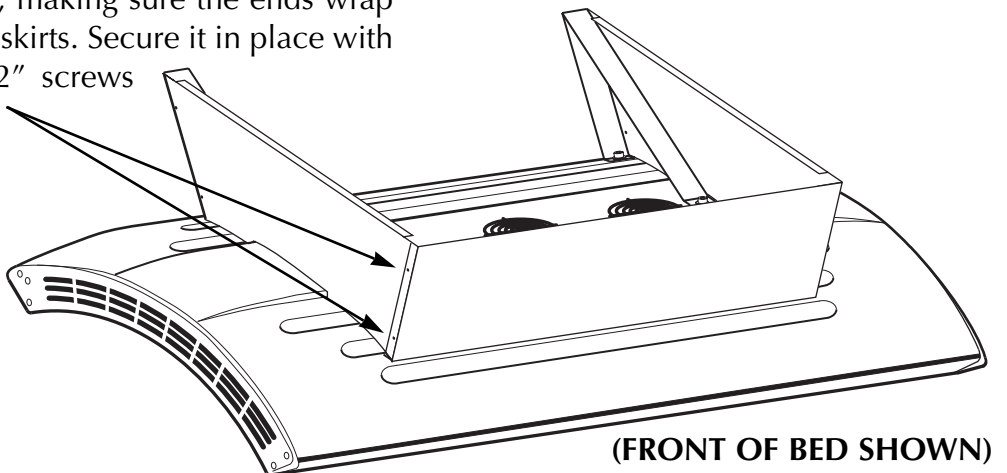


Assembling Skirt

1. Position the side skirts at either end of the base. Install two #8 x 1/2" screws through the pre-drilled holes of the side skirt into the back of the leg support. Repeat for the other side skirt.



2. Turn the bed around and put the front skirt in place, making sure the ends wrap over the side skirts. Secure it in place with two #8 x 1/2" screws in each end.



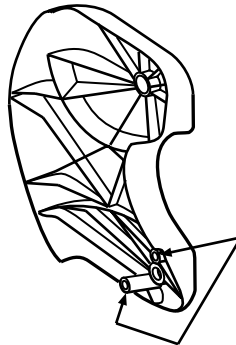
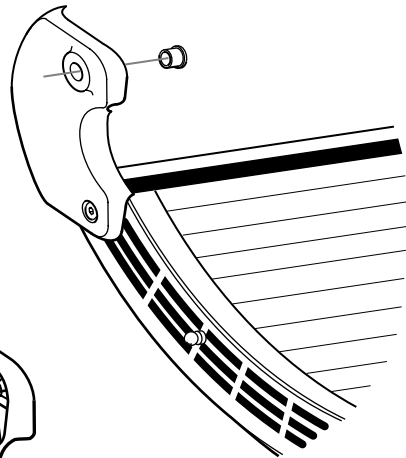


Attaching Hinge Brackets to Bench

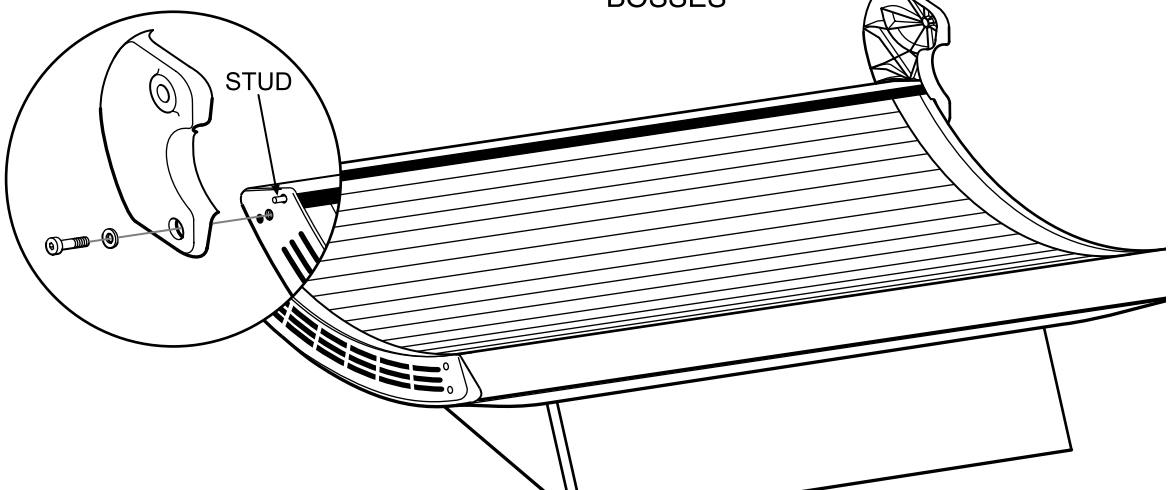
Turn bench right side up on the floor. Place so that the electrical connector is facing toward the wall outlet. Locate the two hinge brackets and identify the left and right brackets.

1. Install the hinge brackets to the ends of the bench such that the short boss engages the stud above the bolt hole, and the long boss engages the hole below the bolt hole. Secure using the 5/16" x 1" Allen-head bolts and 5/16" metal washers. Tighten bolt snug, then an additional half turn.

2. Place the bushings into the hinge brackets as shown below.



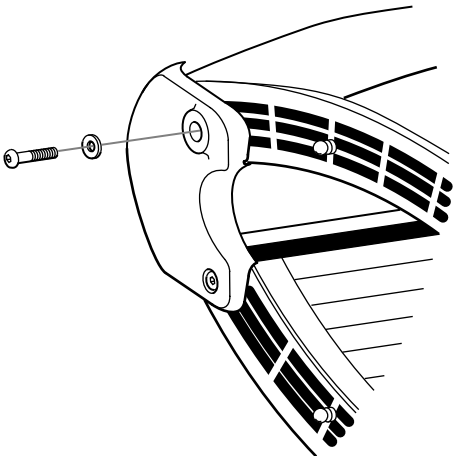
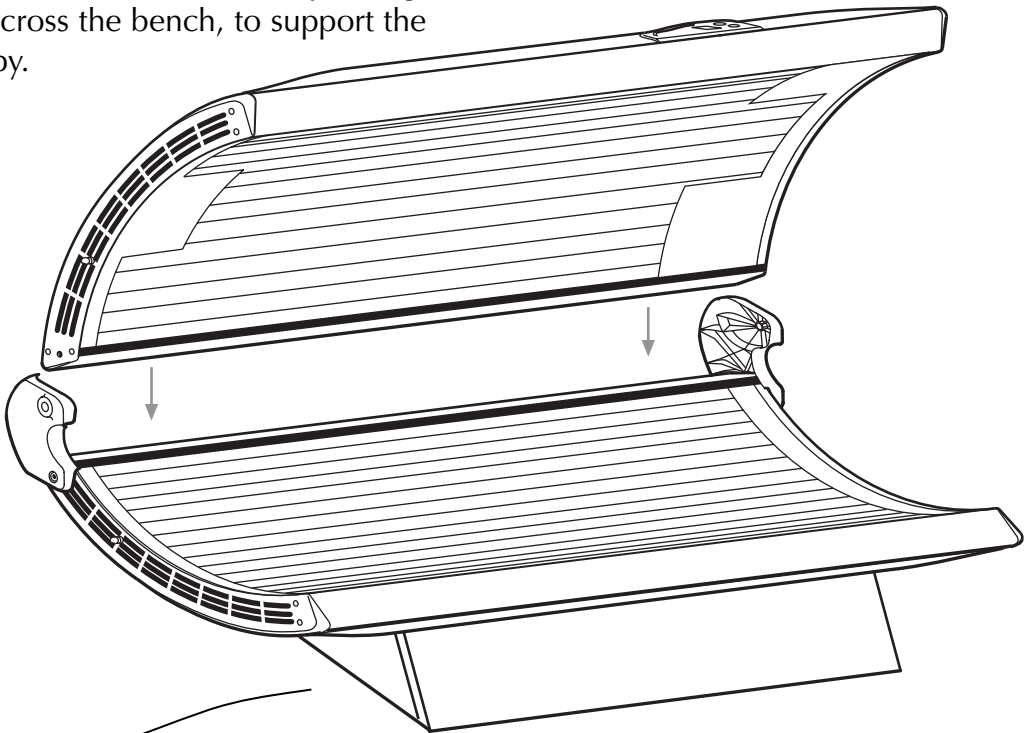
BOSSSES





Attaching Canopy to Bench

1. Lift the canopy and hold it between the hinge brackets. You may want to use some of the cardboard packing, laid across the bench, to support the canopy.



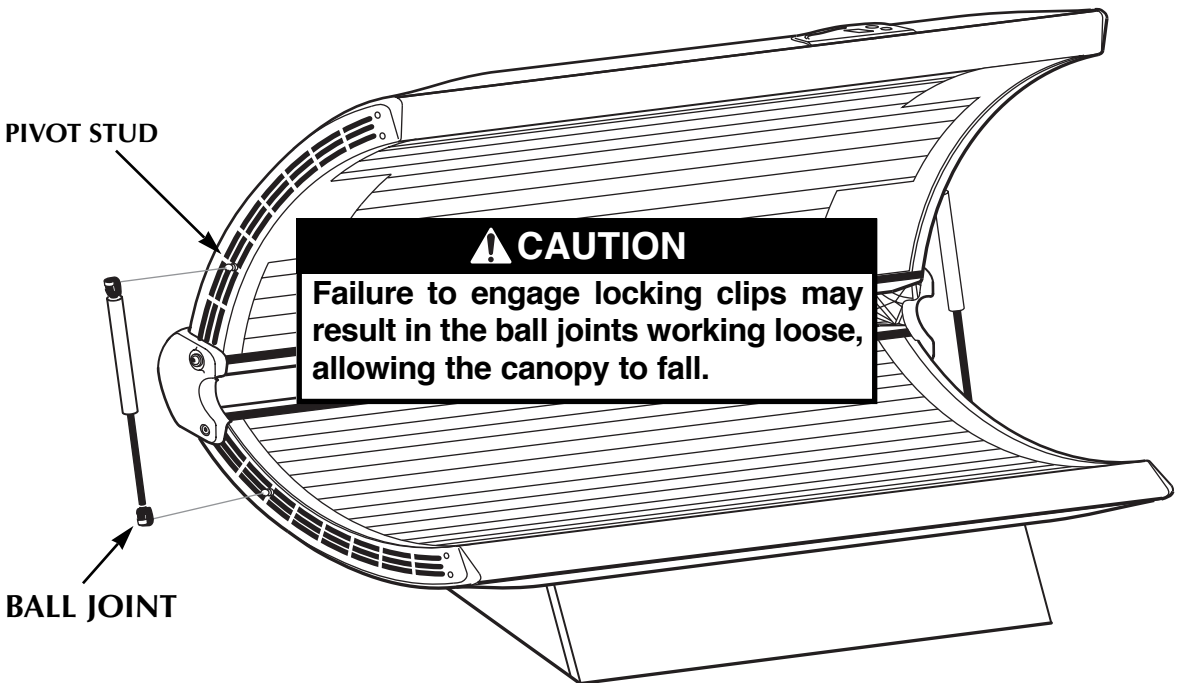
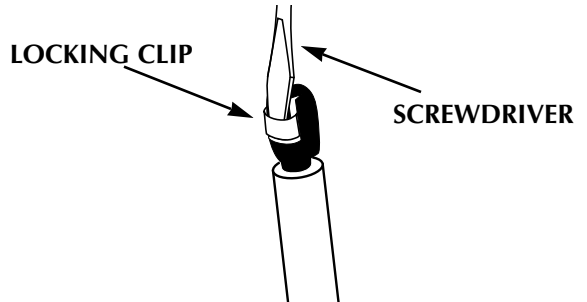
2. Insert the 5/16" x 1 1/2" bolts with the nylon washers into both hinge brackets. Tighten bolts into the end-cap threaded inserts until snug, then an additional half turn. Do not over-tighten to avoid damaging threaded inserts.



Attaching Gas Springs

1. The gas springs are shipped with locking clips installed. Use a screwdriver to pry back the locking clips on the gas springs as they are installed. (See right)
2. With a helper holding the canopy open, align open ends of gas spring ball joints with pivot studs and push into place. Be sure rod end is down as shown. **DO NOT** lower canopy until both gas springs are engaged!

3. Lift and lower canopy a few times to lubricate gas springs for optimum performance.



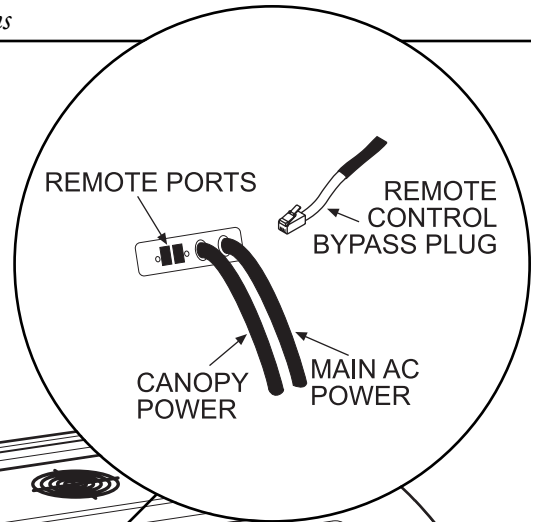
⚠ CAUTION
Failure to engage locking clips may result in the ball joints working loose, allowing the canopy to fall.



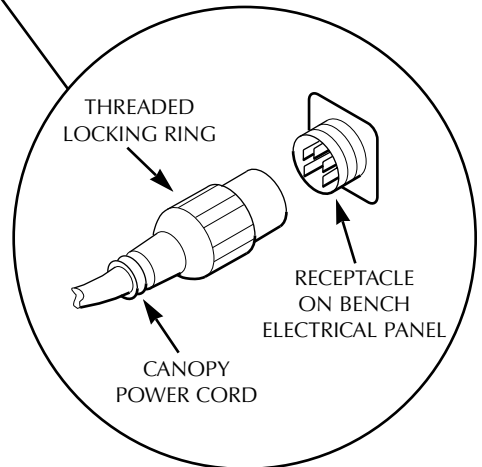
Making Electrical Connections

Warning! Be sure AC power is disconnected before connecting cables.

1. Your sunbed is designed to communicate with remote control devices. The remote control is optional and is not included with your sunbed. If you choose not to use a remote control, the Remote Control Bypass Plug must be plugged into either Remote Port as shown. (The unit is shipped with the Remote Control Bypass Plug installed.) Your sunbed will not operate without either the bypass plug or a remote system connected. If remote operation is desired, see *Remote Connections*.



2. Connect the canopy to bench power cord to the bench receptacle. The plug is polarized. Align the terminals and firmly push on until seated then tighten the threaded locking ring.
3. Plug the three-prong 220V AC power cord into a dedicated outlet (see *Pre-Installation Planning*).





Remote Connections

Your sunbed incorporates advanced circuitry allowing it to connect and communicate with most remote control systems. If a remote system is to be used, first determine whether the remote system is a T-Max® System or a standard remote system operating with a control relay. Follow the appropriate instructions for your system type.

Warning: The remote connection is not designed to supply or accept high voltage, nor can it provide power to an external timer. The sunbed's remote interface circuitry operates on 5 volts, attempting to connect it to any higher voltages will damage the sunbed as well as void your warranty.

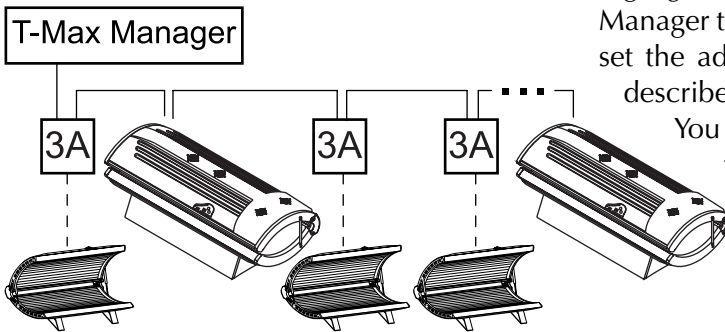
T-Max® Products

The T-Max® remote systems offer the ultimate in sunbed control, while allowing the tanner easy straightforward operation. Your sunbed is configured to directly connect to this system. The circuitry inside your sunbed eliminates the need for the T-Max® 1A or 3A when connecting to the T-Max® Manager series. Your sunbed supports the auto addressing feature of the latest T-Max® Manager models and the following parameters: 5, 6, 7, 8, 9, and 15. See your T-Max® manual for descriptions of these parameters and how they function.

T-Max® Manager Remote System

This system is ideal for multiple sunbed installations. Simply connect the RJ-22 modular cable(s), described in the T-Max® Manager manual, into the remote port(s) located on the back of your sunbed and follow the instructions that came with your remote system, noting *figure 1*. If you have an older T-Max® Manager that doesn't support auto addressing, set the address of each sunbed manually as described in *Setting the address manually*.

You can place your sunbed at any location in the series.



Non-SunStar beds

figure 1

NOTE: A T-Max® 1A can be substituted for the 3A in *figure 1*.



T-Max® 1A and 3A Remote Systems

The T-Max® 1A and 3A offer the same control as the T-Max® Manager in single sunbed installations. If you're using a 1A, it must have a chip labelled "master" installed on its circuit board. The remote control bypass plug must not be used in this configuration.

After you have set the T-Max® 1A's, or 3A's, address to "0" (refer to your T-Max® user's guide) and the sunbed's address to "1" (see right), simply connect the RJ-22 modular cables, described in the T-Max® user's guide, directly into either port located on the back of the sunbed and either port on the back of the T-Max® 1A or 3A. See figure 2.

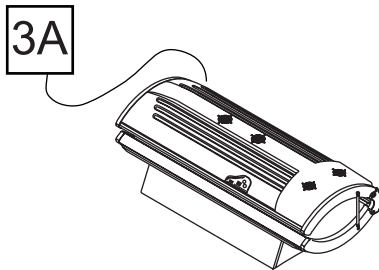


figure 2

NOTE: A T-Max® 1A with a "master" chip can be substituted for a 3A in figure 2.

Setting the address manually

Before connecting your sunbed to the T-Max® Manager or T-Max® 1A or 3A, the address of your sunbed must first be set. Set the address manually as described below.

Setting the Address

1. Make sure the sunbed display is showing "0".
2. Press the red stop button and, without releasing it, press the green timer button and hold both for three seconds. The display should indicate an address number from "1" to "255".

1-99

100-128
(blinking dot)

252-255
(blinking dot)

3. If you are using a T-Max® 1A or 3A as your remote, the address of the sunbed must be set to "1". If you are using a T-Max® Manager each sunbed must be assigned a different address. To adjust the address, press the green timer button to count up until the desired number (from 1 to 128) is achieved. Addresses 252 to 255 are not normally used.
4. Press the red stop button to return to the normal display mode.



Remote systems using a Control Relay

Most non-T-Max® remote systems control the sunbed by the use of a relay. The relay operates the sunbed by connecting and disconnecting a pair of wires leading from the sunbed. Refer to the user's manual provided with your remote system to determine if it operates in this way. To connect your sunbed to this type of system a remote interface kit is required. Call ETS at the phone number listed on the back of this guide to obtain the kit. *Figure 3* details a typical connection. Follow the instructions provided with the kit and from the remote's manual to make the necessary connections.

Warning: The remote connection is not designed to supply or accept high voltage, nor can it provide power to an external timer. The sunbed's remote interface circuitry operates on 5 volts, attempting to connect it to any higher voltages will damage the sunbed as well as void your warranty.

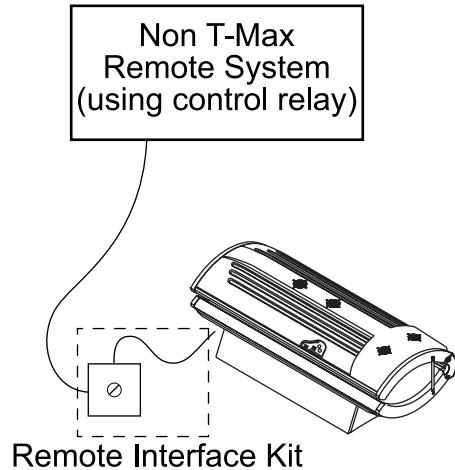


figure 3



Before You Tan

Before using your sunbed, please note the following important precautions.

- Your skin should be free of cosmetics, oils, or other body lotions prior to tanning except for those specifically made for use with tanning devices. However, do not remove natural body oils by bathing or showering immediately before tanning.
- Your hair should be free of gels, mousses, sprays, or other hair products prior to tanning. These products can cause damage to the sunbed acrylic. As an alternative, a shower cap or towel can be worn to keep treated hair away from the sunbed surfaces.
- As with all electrical appliances, **do not operate this device near water or while you are wet.**

- Some medication may **increase your sensitivity** to ultraviolet light. It is recommended that you consult a physician before using this sunbed if taking any medication or if you suspect that your skin might be especially sensitive to sunlight. Included with this manual is an FDA booklet on medications that increase sensitivity to light.

Exposure Times

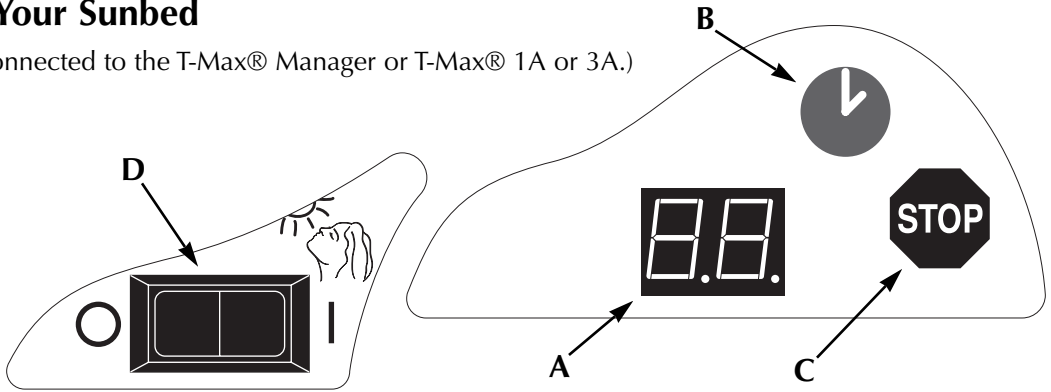
Follow the guidelines for skin type and exposure times as shown in the table below. Untanned persons should not tan on consecutive days during their first week of tanning. Never tan more than once a day. Tanning normally appears after the first few sessions and maximizes after approximately four weeks. Tan once or twice per week thereafter to maintain appearance. Persons already having a base tan may begin at advanced levels corresponding to the extent of their base tan.

RECOMMENDED EXPOSURE TIMES IN MINUTES		MAXIMUM EXPOSURE TIME IS 20 MINUTES				
Skin Type:		Level 1/Week 1 1st-3rd Sessions	Level 2	Level 3	Level 4	Subsequent Maximum
I Sensitive Skin	(Burns easily and severely and does not tan.)	NOT RECOMMENDED FOR TANNING				
II Light	(Burns easily and severely and tans minimally.)	4	8	12	16	20
III Normal	(Burns moderately and tans average.)	6	10	15	20	20
IV Dark	(Burns minimally, tans easily and above average.)	8	12	16	20	20



Using Your Sunbed

(When connected to the T-Max® Manager or T-Max® 1A or 3A.)



A Timer display - Displays remaining time.

B Timer button - Turns bed on. Timer display shows remaining time. If a lesser time is desired, press timer button until desired time is displayed.

C Stop button - Interrupts tanning session.

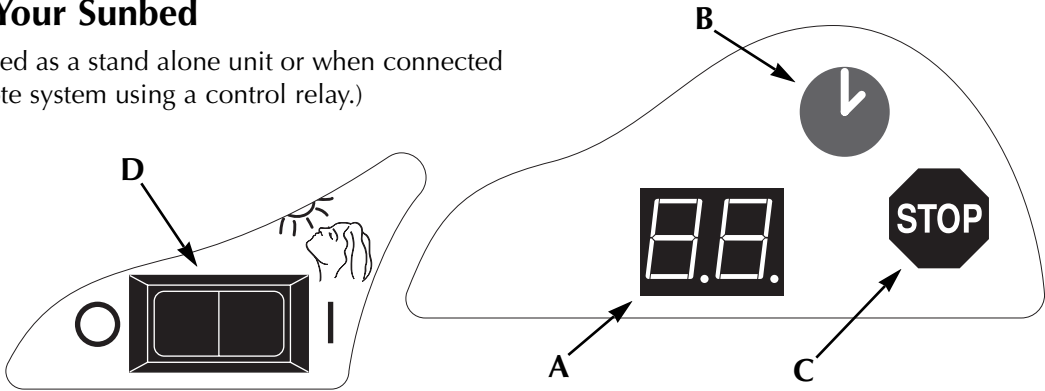
D Face tanner switch - (Units equipped with facial units only.) Turns face tanner, or turbo lamps, on and off.

1. Put on your safety goggles.
2. Assuming the remote system has been set to allow a pre-tanning delay time, the timer display (A) will repeatedly flash the delay symbol "dL" and then the remaining delay time. Press the timer button (B) or wait until the delay time has expired to begin the tanning session. The lamps will turn on and the timer will begin to count down.
3. If a tanning time less than the displayed time is desired repeatedly press the timer button (B) to decrease the remaining time.
4. Lift the canopy, lie down on the bench (face up), lower the canopy toward your body. For best results, position the canopy as close to your body as possible, while maintaining one inch from face tanners.
5. When the timer reaches "0" the lamps turn off. If you want to stop your session before time expires, press the stop button (C).
6. Raise the canopy by using the outer edge of the canopy, do not push up on the acrylic shield. The cooling fans run for three minutes after the lamps shut off to aid in cooling the sunbed. The timer will indicate ".." as a reminder to clean the sunbed. After the sunbed is cleaned press the timer button and the display will return to "0".



Using Your Sunbed

(When used as a stand alone unit or when connected to a remote system using a control relay.)



- A Timer display** - Displays remaining time.
 - B Timer button** - Turns bed on. Timer display shows remaining time. If a lesser time is desired, press timer button until desired time is displayed.
 - C Stop button** - Interrupts tanning session.
 - D Face tanner switch** - (Units equipped with facial units only.) Turns face tanner, or turbo lamps, on (I) and off (O).
1. Put on your safety goggles.
 2. Press the timer button (B) to begin the tanning session. The lamps will turn on and the timer will begin to count down from the maximum tanning session time. If a tanning time less than the displayed time is desired repeatedly press the timer button (B) to decrease the remaining time.
 4. Lift the canopy, lie down on the bench (face up), lower the canopy toward your body. For best results, position the canopy as close to your body as possible, while maintaining one inch from face tanners.
 5. When the timer reaches "0" the lamps turn off. If you want to stop your session before time expires, press the stop button (C).
 6. Raise the canopy by using the outer edge of the canopy, do not push up on the acrylic shield. The cooling fans run for three minutes after the lamps shut off to aid in cooling the sunbed.



are and Maintenance

Cleaning After Use

Clean and disinfect your tanning bed's bench and canopy after each use. Use a non-abrasive disinfectant cleaner that **does not contain ammonia or ammonia derivatives**. Ammonia may damage the acrylic shields. Spray the acrylic lightly with disinfectant and wipe dry with a clean soft cloth. We recommend SunQuest® disinfectant and SunQuest® acrylic cleaner.

Thorough Periodic Cleaning

Introduction

The cooling fans draw air through the bed and over time will cause a dust buildup on the lamps and reflectors. This will reduce the tanning effectiveness of the bed. When a dust buildup is observed, it is necessary to thoroughly clean the inside of the bench and canopy.

⚠ WARNING

Shock hazard.

Disconnect power before removing any protective covers.

Cleaning the Canopy and Bench

- Step 1** Remove the acrylic shields and lamps as described in *Replacing Lamps*.
- Step 2** With a soft cloth, wipe the entire length of each lamp to remove any film buildup.
- Step 3** Clean both sides of the acrylic shields with a non-ammonia disinfectant cleaner.
- Step 4** Wipe the reflectors with a clean damp cloth.
- Step 5** Reinstall the lamps and acrylic shields.



Hour Counter

The 28LE incorporates an ingenious hour counter function into the timing circuitry. It allows the operator of the unit to monitor the hours of use of the lamps, making it easy to determine when to change them. You may also decide to use this function to monitor other time based maintenance tasks.

To determine how many hours the unit has been in service (since the last reset of the hour counter memory), first make sure the timer display shows "0". Then simply hold the stop button for three seconds. The display will show two pairs of numbers which indicate the number of hours of service, then return to "0". (example: Display shows 08 then 54. This equals 854 hours.) NOTE: If the unit is connected to a T-Max® remote device, it may briefly lose communication with the remote. This is normal.

To erase the indicated hours disconnect power from the sunbed. Press and hold the green timer button as you reconnect power. Release the button after a few seconds.

Mechanical Inspection

Your tanning bed has been built for years of service. To ensure trouble-free operation throughout its life, inspect the unit's mechanical integrity every 400-500 hours of use.

- Inspect the unit's fasteners verifying that all are firmly in place. Pay particular attention to the hinge bolts.
- Inspect gas springs for signs of wear. Gas springs that will not hold the canopy in the full open position when raised should be immediately replaced.
- Inspect the AC power cord and its connections.
- Inspect the acrylic. Broken, cracked or badly scratched acrylics should be immediately replaced.



Replacing Lamps

Introduction

To be assured of maximum tanning effectiveness, change lamps after approximately 800-1000 hours of use. Tanning will continue after this time but at a slower rate. To ensure trouble-free operation of your sunbed, replace the lamp starters whenever the lamps are replaced.

WARNING

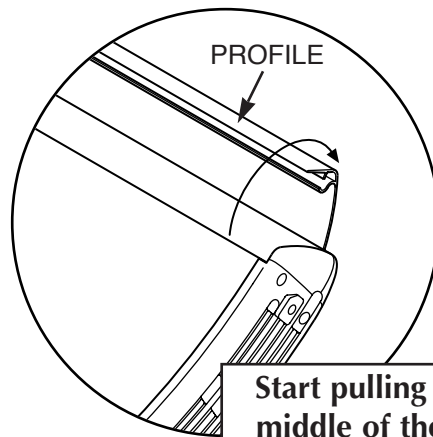
Shock hazard.

Disconnect power before servicing.

Removing/Replacing Acrylic Shield

The acrylic shields in the bench and canopy are secured in place by hinged profiles which run the length of the bed, both front and back. Simply pry up on the inside edge of the profile, starting from the middle of the profile, until it releases its latching action (see figure at right). Continue to pry up the profile across its entire length until it swings back freely. Repeat for the other profile. The long edges of the acrylic shield are now exposed. Standing in front of the sunbed, grasp the exposed edge of the acrylic and carefully slide it toward you until it is removed.

After changing the lamps, replace the acrylic shields by reversing the above directions. Close the hinged profile by pushing it back into place until it snaps tight.



CAUTION

Be careful. The edges of the acrylic shield may be sharp.



Removing/Replacing Lamps

After removing the acrylic shields, replace lamps as follows.

- Step 1** Grasp a lamp at one end and at the middle, then turn the lamp a quarter turn. The lamp may then be gently removed from its holder.

- Step 2** To reinstall a lamp, insert the pins located on the ends of the lamp into the slots on top of the lamp holder and turn the lamp a quarter turn.

Recommended Replacement Lamps

We recommend using the lamps specified below. Use of uncertified lamps is a violation of Federal regulations and will void your warranty. These lamps have an average life of 800-1000 hours of effective tanning use. Lamps used longer than that begin to lose their effectiveness even though they will continue to light.

*Only the following lamp types have been certified for use in **SUNVISION®** Tanning Beds:*

Velocity® Wolff® Model VEL 71-T12-100W

Turbo Sun™ S Wolff® Model F8-T5-10W (Turbo Face Lamps in 28LET)

**Philips Model HPA 400/30s or CosmoTech Model 23045 or 20046
(SolarMax™ IFT Facial Unit Lamps in 28LE 2F)**



Removing/Replacing SolarMax™ IFT Face Tanner Lamps on F Models

After removing the canopy acrylic shield, replace the face tanner lamp as follows:

Step 1 Support the face tanner assembly with your hand while unscrewing the two retaining screws. The face tanner glass casing will swing downward.

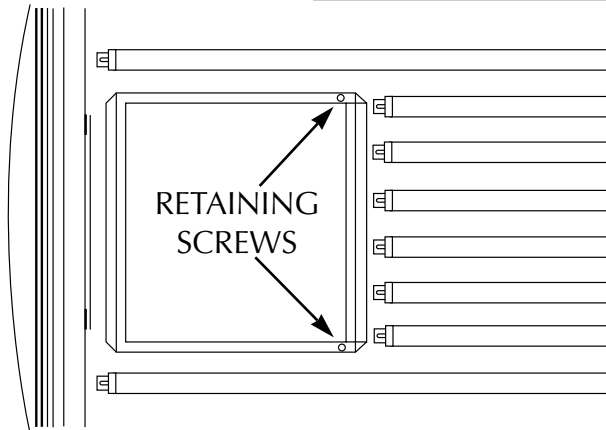
Step 2 The lamp can now be exchanged. The lamp holders are equipped with spring contacts which enable the lamp to be removed easily. Remove the old lamp and discard. Install the new lamp, using a clean cloth or paper towel. Ensure that the lamp is firmly seated in the lamp holders.

Note! Never take hold of the lamp such that your fingers are in contact with the lamp glass. Finger oils will greatly reduce the lamp's operational life.

Step 3 Gently close the face tanner glass casing and lock it closed with the screws. Ensure that the screws firmly secure the glass casing.

⚠ DANGER

Unfiltered light from face tanner can cause severe burns. Never turn sunbed on while face tanner is disassembled or when glass filters are removed. Immediately discontinue use of this equipment if face tanner glass is broken or any unfiltered light can be seen escaping face tanner assembly.



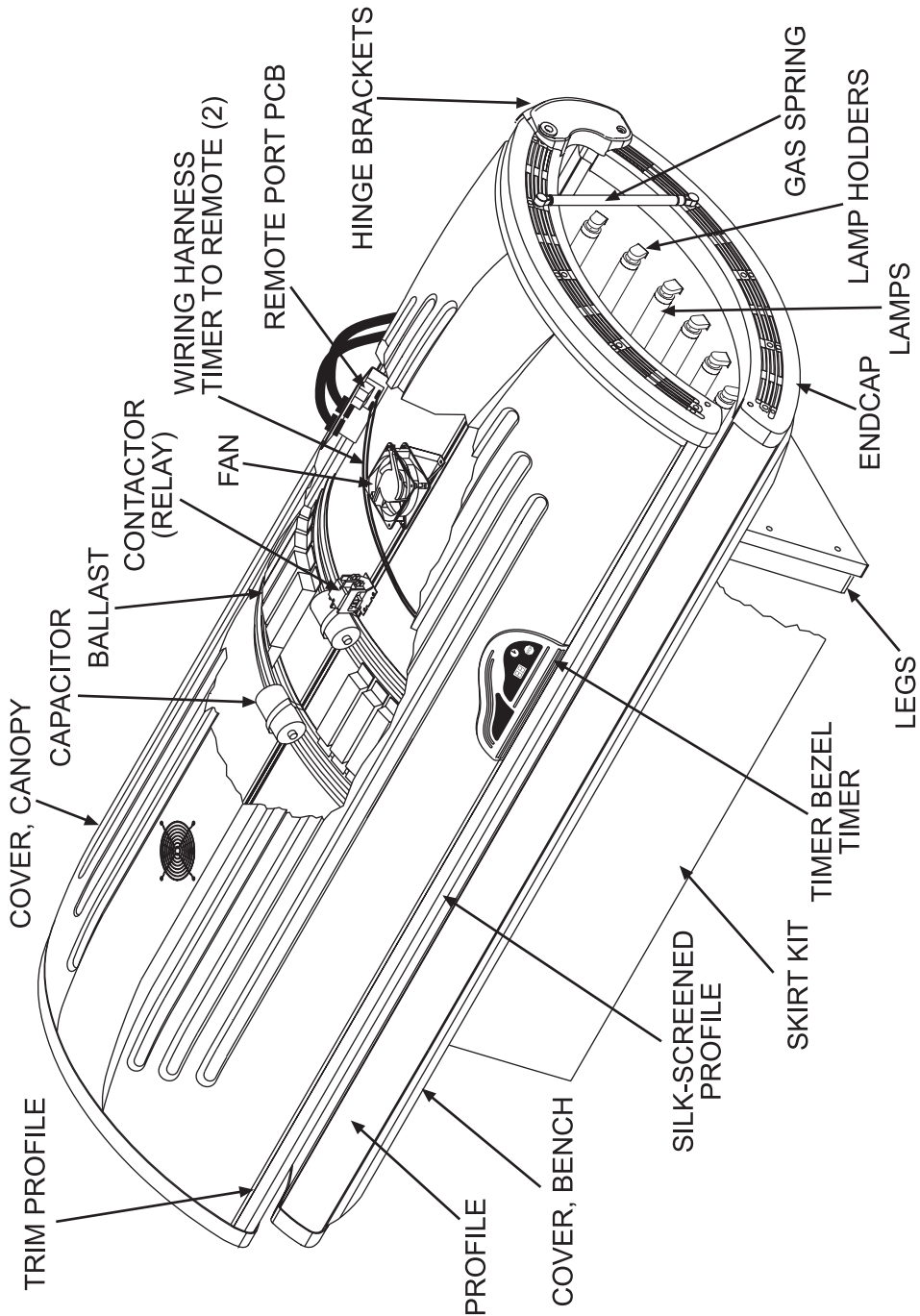


T Troubleshooting

Problem	Solution
Sunbed not tanning	<ol style="list-style-type: none"> 1. Clean sunbed, see <i>Thorough Periodic Cleaning</i>. 2. Ensure supply voltage is between 208 and 230V AC. 3. Replace lamps if lamp hours are greater than 800hrs. 4. Replace acrylic.
Lamps fail to light and timer display is blank	<ol style="list-style-type: none"> 1. Make sure the unit is connected to a power source. 2. Check source of AC power. Reset circuit breaker or replace fuse.
Timer display changes to indicate a tanning time after the timer button is pressed but lamps do not come on	<ol style="list-style-type: none"> 1. Bypass plug is not installed, see <i>Electrical Connections</i>. 2. A non-SunStar® bypass has been used. 3. If remote is being used, other than T-Max® Manager, the external timer may not be activated. 4. Remote wiring is incorrect, see the instructions provided with the remote interface kit.
Timer display continues to show a 0 after the timer button is pressed	<ol style="list-style-type: none"> 1. T-Max® Manager remote system has not yet been set. 2. Sunbed address is not set correctly, see <i>Remote Connections</i>.
One or more lamps fail to light	<ol style="list-style-type: none"> 1. Check that lamp is installed correctly. 2. Switch unlit lamp with a lamp that lights, if new lamp lights and old lamp still does not, replace old lamp.
The face tanners will not come on	<ol style="list-style-type: none"> 1. Face tanners will not relight until cooled. 2. Replace face tanner lamp, see <i>Removing/Replacing Face Tanner Lamp on F Models</i>.
The canopy will not stay up	<p>NOTE: Gas springs are manufactured to hold the canopy in its fully open position as well as allow it to rest fully closed. If left open for an extended period of time some creep down may occur. This is considered normal. Keep the unit closed when not in use. If the canopy will not stay fully open when raised...</p> <ol style="list-style-type: none"> 1. Raise and lower the canopy a few times to lubricate gas spring internal seals. 2. Replace gas springs.

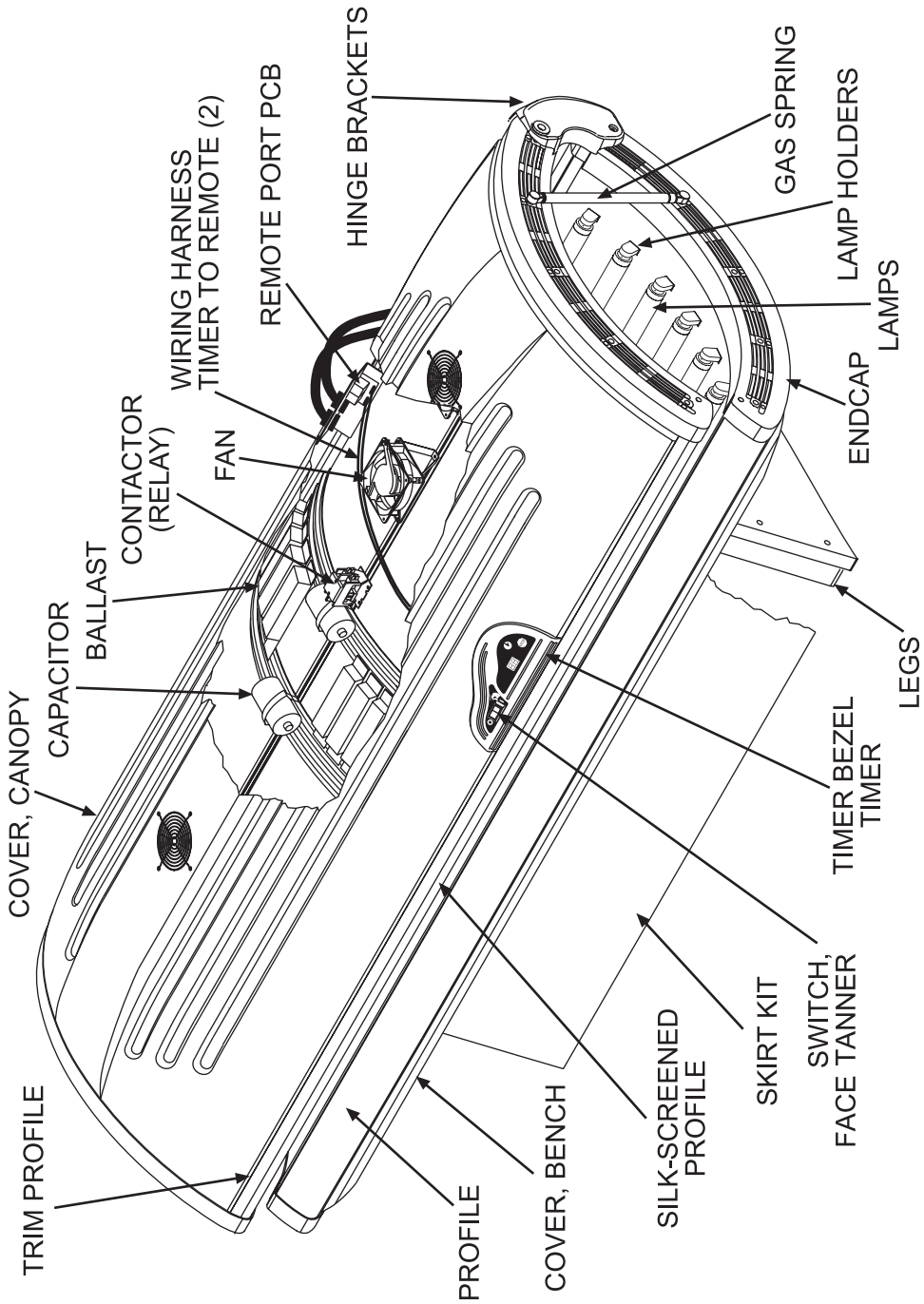
Problem	Solution
My bed won't work with the T-Max® Manager remote system	<ol style="list-style-type: none"> 1. The sunbed must first be set to a unique address, see <i>Remote Connections</i>. 2. The bypass plug may be installed in the series in an inappropriate location. Remove bypass plugs when using T-Max® products.
When auto-addressing the first bed does not register an address	When using the auto address feature of the T-Max® Manager you must wait 10 seconds from the time you start the auto address function before addressing the first bed.
I forgot what address I set my sunbed to	By pressing the stop button and then the timer button, and holding both for 3 seconds, the timer display will show the sunbed's address number. Press the stop button to exit address mode.
My bed is connected to the T-Max® Manager remote system and when the delay time has expired the timer display starts counting down but the bed lights do not come on	The auto start feature of the remote system is disabled, see the instructions provided with your remote system.
<p>My bed, connected to a T-Max® Manager, did not display "dL" but does indicate:</p> <p style="padding-left: 150px;">"0"</p> <p style="padding-left: 150px;">a tanning time and the lamps have come on</p> <p style="padding-left: 150px;">a tanning time but the lamps have not come on</p>	<ol style="list-style-type: none"> 1. Remote device has not been set. 2. The sunbed has not been connected to the remote system, see <i>Remote Connections</i>. <ol style="list-style-type: none"> 1. Delay time of T-Max® Manager has not been set. 2. Delay time has expired and session has begun. <p>Auto start function of T-Max® Manager has been turned off. Press the timer button to turn on lamps.</p>

K-28LE



CALL FOR SERVICE OR QUESTIONS: 1•800•449•3605
ETS, Inc. 6270 Corporate Drive, Indianapolis, IN 46278-2900

K-28LET



CALL FOR SERVICE OR QUESTIONS: 1•800•449•3605
ETS, Inc. 6270 Corporate Drive, Indianapolis, IN 46278-2900

Parts List

This is a list of parts which may be replaced by the consumer. Care should be taken when replacing anything related to electrical wiring. We recommend contacting a professional electrician. When calling for parts, first state your bed model as K-28LE, K-28LET, or K-28LE2F. Then refer to this list and preceding illustration for proper part identification.


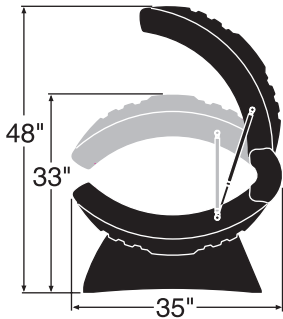



Acrylic, Bench*
Acrylic, Canopy*
Ballast, 30W* (for Turbo lamps)
Ballast, 100W (1 for each main lamp, 4 for each face tanner lamp)
Capacitor, 75uF
Contactor (Relay)
Cover, Bench
Cover, Canopy
Endcap Service Kit (1 left and 1 right endcap)
Fan
Gas Spring set
Hardware Kit* (assembly hardware)
Hinge Brackets (left and right)
Lamp Holder, Turbo*
Starter Holder, Turbo*
Lamp Holder w/ Starter
Lamp Holder w/o Starter
Lamp Holder, Face Tanner*
Lamps
Leg Mounts* (found inside the bench)
Legs
Manual*

Pillow*
Profile (blank)
Remote Control Bypass Plug*
Remote Port PCB
Schematic Packet*
Silk-screened Profile
Skirt Kit (front, 2 sides and screws)
Starter, S-2* (Turbo)
Starter, K-11* (main lamps)
Starter, Face Tanner* (ignitor)
Switch, Face Tanner
Thermostat, Face Tanner*
Timer (complete with timer, buttons, and bezel)
Timer Bezel
Timer Buttons*
Trim Profile (plum)
Wiring Harness, Timer to Remote

Record this information for ease of service:
Date of purchase: _____
Bench serial number: _____
Canopy serial number: _____

* Not shown

CALL FOR SERVICE OR QUESTIONS: 1•800•449•3605
ETS, Inc. 6270 Corporate Drive, Indianapolis, IN 46278-2900

	28LE	28LET	28LE2F
Size			
Weight	329 lbs	352 lbs	376 lbs
Minimum Room Size	6' x 8'	6' x 8'	6' x 8'
Electrical -			
Voltage (AC)	220	220	220
Amperage	16	17	17
Circuit Breaker (Amps)	30	30	30
Outlet (NEMA standard)	 L6-30R	 L6-30R	 L6-30R
Main Lamps	Velocity® 100W	Velocity® 100W	Velocity® 100W
Ballasts	100W	100W	100W
Face Tanner	NA	Turbo Sun™ S	SolarMax™ IFT
FT Ballasts	NA	30W	400W
Timer System	Digital	Digital	Digital
Max. Exposure Time	20minutes	20minutes	20minutes
Back-up Timer	On-board	On-board	On-board
Remote Capability	T-Max® compatible	T-Max® compatible	T-Max® compatible



CALL FOR SERVICE OR QUESTIONS:
1 • 800 • 449 • 3605
 6270 Corporate Drive Indianapolis, IN 46278-2900

