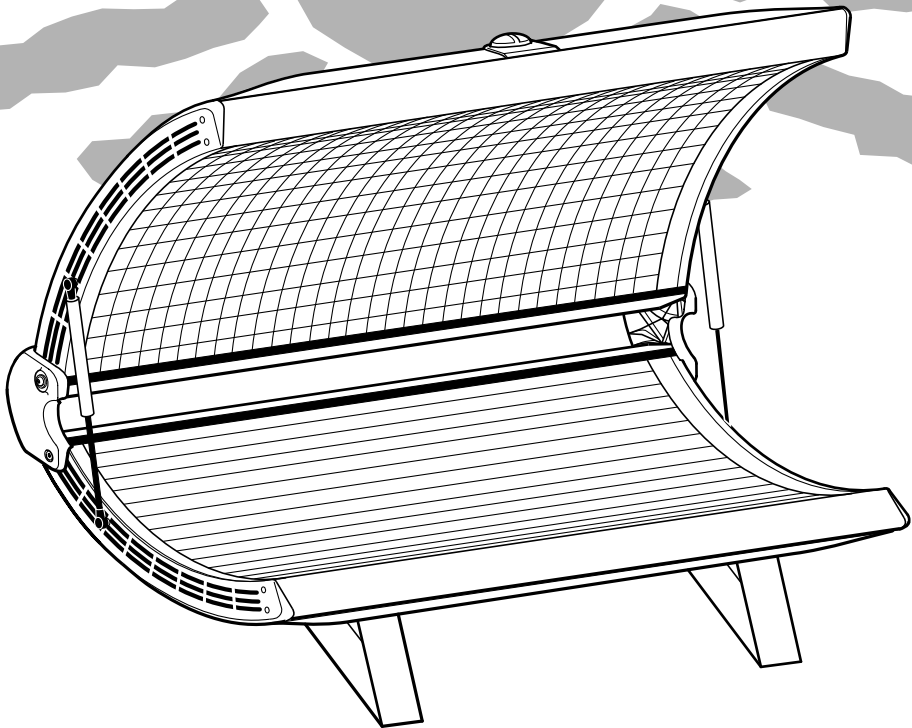


SunQuest®



Pro 16SE
USER MANUAL

22674B

Limited Lifetime Warranty

SunQuest® warrants your tanning unit to be free of structural defects in its material and workmanship, under normal use, for its lifetime. **SunQuest** will repair or replace, at their discretion, any defect to the structure which affects the performance of the unit.

For 6 months from the date of purchase, **SunQuest** will provide replacements for parts that prove to be defective in material or workmanship. Acrylic shields, fluorescent lamps, and lamp starters are excluded from this warranty. Labor will be covered for 30 days from purchase date. Normal wear, damage from misuse or abuse, damage incurred in transit, or damage done by unauthorized repairs or modifications are not covered by this warranty.

ETS, Inc. disclaims any implied warranty of merchantability or fitness for any period beyond the expressed warranty. Some states do not allow limitations on how long an implied warranty lasts, so the above limitations may not apply to you.

No one has authority to change or modify this Limited Lifetime Warranty in any respect. To obtain service under the Limited Lifetime Warranty, contact **ETS, Inc.** at **1-800-449-3605**, and ask for the Technical Service Department.

ETS, Inc. shall not be liable for loss of use, loss of time, inconvenience, rental or substitute products, loss of business, loss of income, or any other incidental or consequential damages. Some states do not allow the exclusion or limitation of incidental or consequential damages, so the above limitation or exclusion may not apply to you.

This warranty gives you specific legal rights, and you may also have other rights which may vary from state to state.

All warranty service must be performed by an authorized service person. If your tanning unit must be returned for service, all freight charges must be at your expense. Contact your place of purchase for the address of the **SunQuest** Service Center nearest you. Proof of purchase is required to obtain warranty service.

This warranty covers the original purchaser only. This warranty is void if the unit is modified in any manner from its original design.



Safety Information

LABELING NOTICE: Labels are affixed on all systems to inform the user of possible dangers. Regulations are stated in 21 CFR, Section 1040.20, and require that all products manufactured after September 8, 1986 which use sunlamps must display the following:

DANGER Ultraviolet radiation. Follow instructions. Avoid overexposure. As with natural sunlight, overexposure can cause eye and skin injury and allergic reactions. Repeated exposure may cause premature aging of the skin and skin cancer. **WEAR PROTECTIVE EYEWEAR; FAILURE TO MAY RESULT IN SEVERE BURNS OR LONGTERM INJURY TO THE EYES.** Medications or cosmetics may increase your sensitivity to the ultraviolet radiation. Consult physician before using sunlamp if you are using medications or have a history of skin problems or believe yourself especially sensitive to sunlight. If you do not tan in the sun, you are unlikely to tan from the use of this product.

To use, lie down under canopy and pull down as far as adjustment will allow. Do not use without clear plastic panels (or wire grid on models with wire grid) in place. Untanned persons should not tan on consecutive days during their first week of tanning. Never tan more than once a day. Tanning normally appears after the first few sessions and maximizes after approximately four weeks. Tan once or twice per week thereafter to maintain appearance. Persons already having a base tan may begin at advanced levels corresponding to the extent of their base tan.

| RECOMMENDED EXPOSURE TIMES IN MINUTES | | MAXIMUM EXPOSURE TIME IS 20 MINUTES | | | | |
|---------------------------------------|---|-------------------------------------|---------|---------|---------|-----------------------|
| Skin Type: | | Level 1/Week 1 1st-3rd Sessions | Level 2 | Level 3 | Level 4 | Subsequent Maximum |
| I Sensitive Skin | (Burns easily and severely and does not tan.) | NOT RECOMMENDED FOR TANNING | | | | |
| II Light | (Burns easily and severely and tans minimally.) | 4 | 8 | 12 | 16 | 20 |
| III Normal | (Burns moderately and tans average.) | 6 | 10 | 15 | 20 | 20 |
| IV Dark | (Burns minimally, tans easily and above average.) | 8 | 12 | 16 | 20 | 20 |

New lamps emit approximately 20% more ultraviolet radiation during the first 50 hours of operation. Recommended tanning times should therefore be reduced by approximately 20% during that period.

WARNING: • Read the instructions booklet before using this sunlamp product. • All persons in the room should wear protective eyewear when lamps are on. Recommended eyewear: provided eyeshields (Lucas Products Super Sunnies or Intrexco No. 5635/1) or equivalent eyewear as defined under 21 CFR 1040.20. Other types of eyewear may not provide adequate protection.

ONLY THE FOLLOWING LAMPS HAVE BEEN CERTIFIED FOR USE IN THE Pro 16SE:

Velocity® Wolff® Model VEL 71-T12-100W

Diamond Sun® S Wolff® Model DSS71-T12-100W PREHEAT BIPIN

DISCONNECT POWER CORD BEFORE ATTEMPTING TO CLEAN, RELAMP, OR ENGAGE IN THE MAINTENANCE OF THIS PRODUCT.

THIS EQUIPMENT MUST BE EARTH GROUNDED.

THIS PRODUCT IS IN CONFORMITY WITH PERFORMANCE STANDARDS FOR SUN LAMP PRODUCTS UNDER 21 CFR PART 1040.20



Unpacking and Inspection

Your sunbed comes in two cardboard cartons, one for the bench and one for the canopy. Open the cartons and remove the bench and canopy as follows.

The bench and canopy are each wrapped in plastic. Pull back the plastic and, with a helper, grasp the bench and pull it from the carton bottom, leaving the plastic wrap and the carton packaging. Do the same for the canopy. Do not try to lift either unit with the plastic still on as it may slip.

Note! The cartons are reusable, in the unlikely event that you may find it necessary to return your sunbed.

The canopy box contains the canopy unit and a pair of gas springs. The bench box contains the following items:

- Bench Unit
- Box containing necessary assembly hardware, safety goggles, and pillow
- Box containing two stand legs

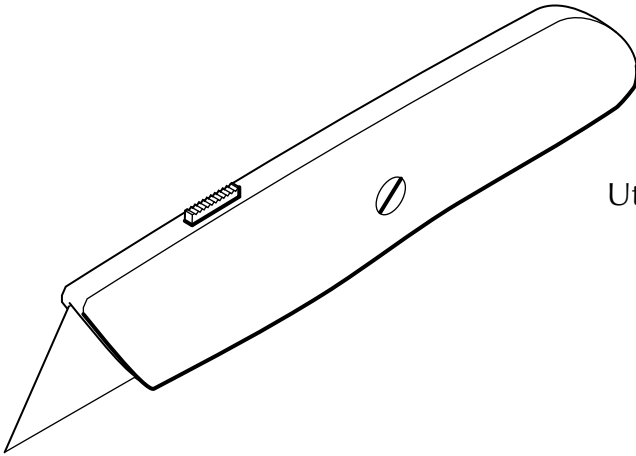
Inspect these items, including the canopy and bench, and make sure they are free from any visible damage. Report the extent of any damage to the transportation company.

Record the serial numbers of the canopy and bench in the area provided on the last page of this manual. This information will be required whenever you call customer service.

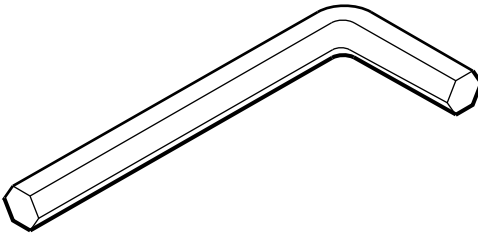


Tools Required

You will need the following tools to assemble your sunbed.



Utility Knife



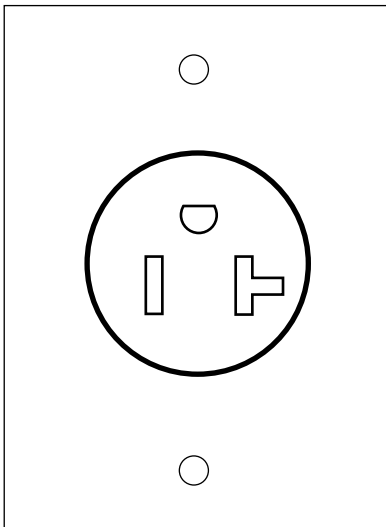
Allen Wrench
(Supplied in hardware kit)



Pre-Installation Planning

Before you begin to assemble your sunbed, you should observe the following pre-installation considerations.

- Your sunbed operates from a 120V AC source. You should have a NEMA 5-20R electrical outlet (like the one shown below) installed in the room in which you will use the unit. The outlet should be on a dedicated circuit capable of providing 20 Amp service. We recommend installation by a professional electrician. The outlet must be earth grounded.
- Make sure the room in which you intend to use your sunbed is well ventilated. Air from the room is used to cool the sunbed, and a poorly ventilated room may cause the unit to become hot and cause discomfort to the user.
- Your sunbed is designed to operate in an ambient room temperature of 80°F maximum and 70% relative humidity.
- Place your sunbed no closer than 6" from any wall. Make sure that curtains, drapes, and other room furniture do not obstruct the airflow into the end caps or out of the fan opening areas.
- Proper assembly of your sunbed requires three people. Plan to have a couple of helpers assist you.



20 AMP NEMA #5-20R RECEPTACLE

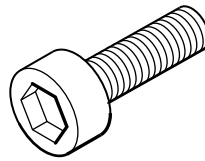


Assembly Procedures

Hardware Inventory

Use the utility knife to cut open the hardware box and remove the small bag of hardware. In addition to a small Allen wrench and pillow, make sure you have the following hardware items.

NOTE: The larger 5/16" metal washers and six 5/16" x 1" Allen-head bolts may be pre-installed in the bottom of the bench.



Allen-head Bolt
5/16" x 1"
Quantity 8



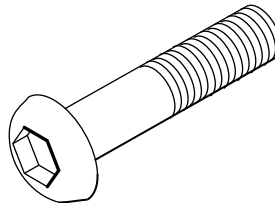
5/16" Metal Washer
Quantity 6



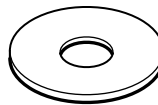
5/16" Metal Washer
Quantity 2



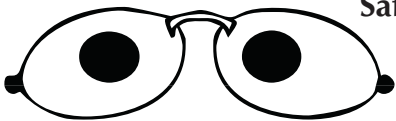
Bushing
Quantity 2



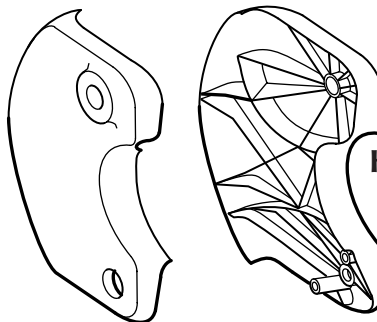
Allen-head Bolt
5/16" x 1 1/2"
Quantity 2



Nylon Washer
Quantity 2



Safety Goggles
Quantity 1



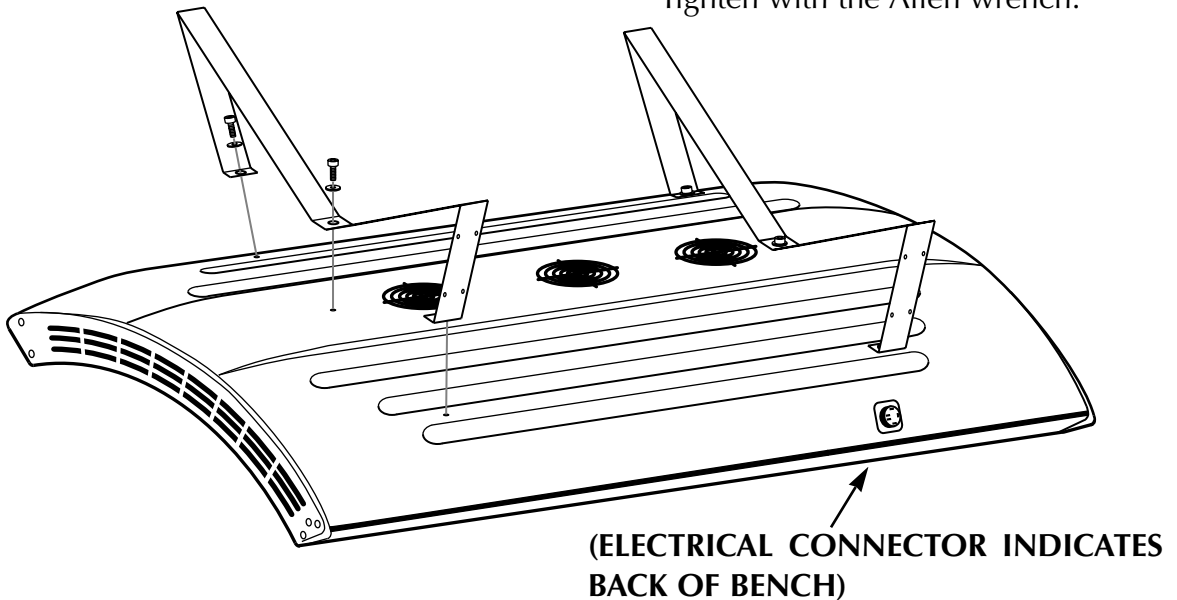
Hinge Brackets
Quantity 2
(left and right)



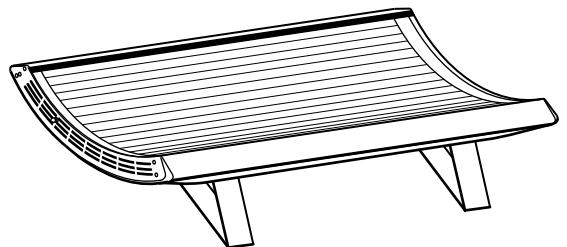
Attaching Legs to Bench

Lay the bench upside down on the floor. Locate the two stand legs and attach to the bench as shown below.

1. Using six 5/16" x 1" bolts and the six larger 5/16" washers (may be pre-installed), attach the stand legs with the skirt mounting holes toward the back of the bench as shown. Install center bolt first. You may have to gently push sides of legs in to align holes. Tighten with the Allen wrench.



2. Turn bench right side up on floor. Place so that the power cord connector is facing toward the wall outlet.



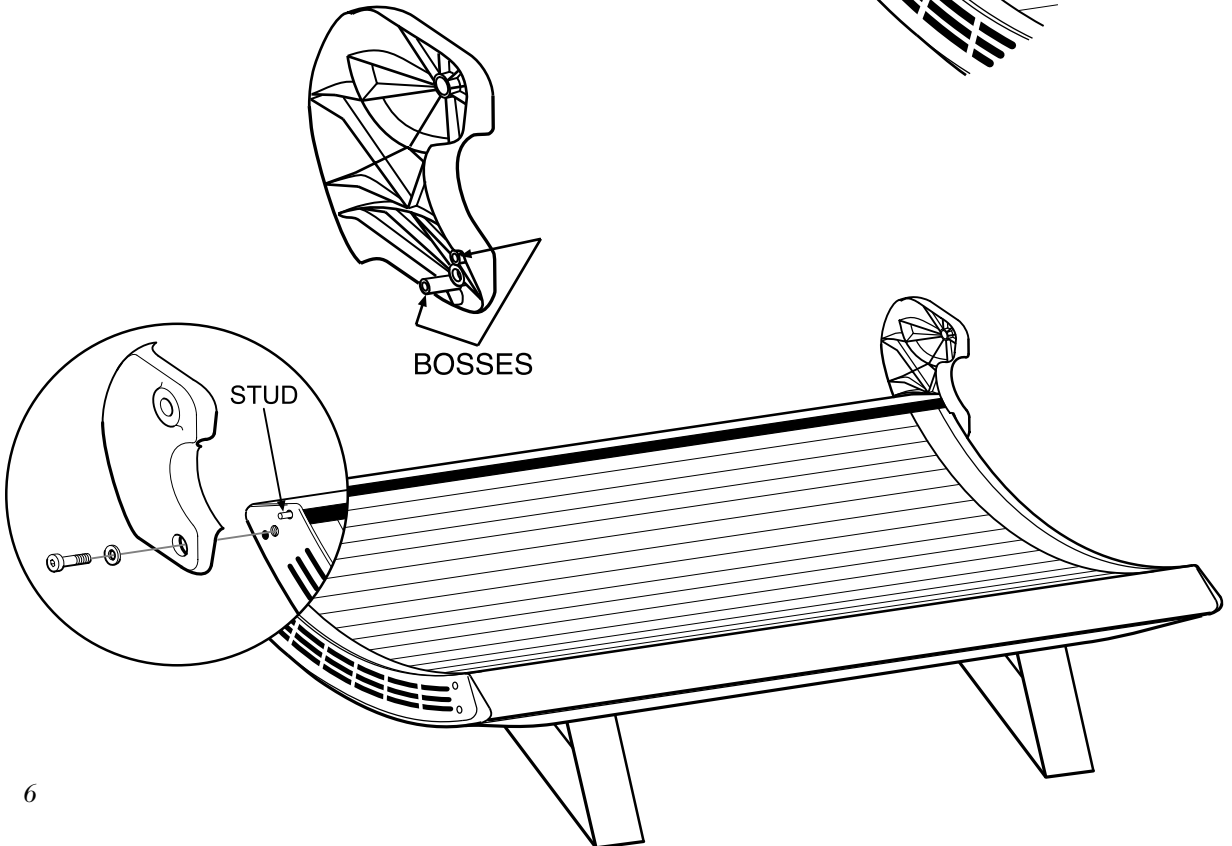
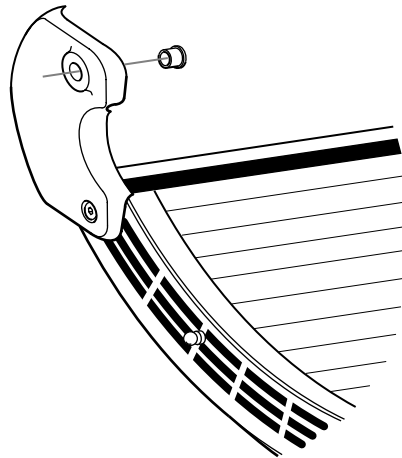


Attaching Hinge Brackets to Bench

Locate the two hinge brackets and identify the left and right brackets.

1. Install the hinge brackets to the ends of the bench such that the short boss engages the stud above the bolt hole, and the long boss engages the hole below the bolt hole. Secure using the 5/16" x 1" Allen-head bolts and 5/16" metal washers. Tighten bolt snug, then an additional half turn.

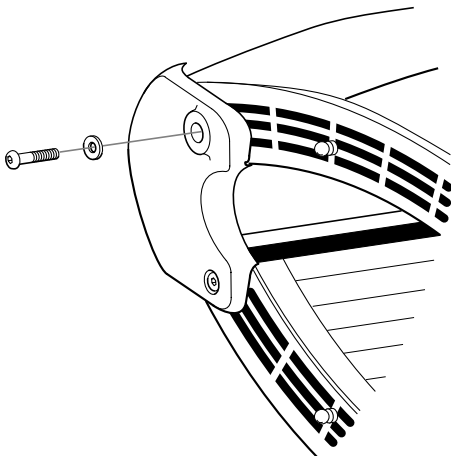
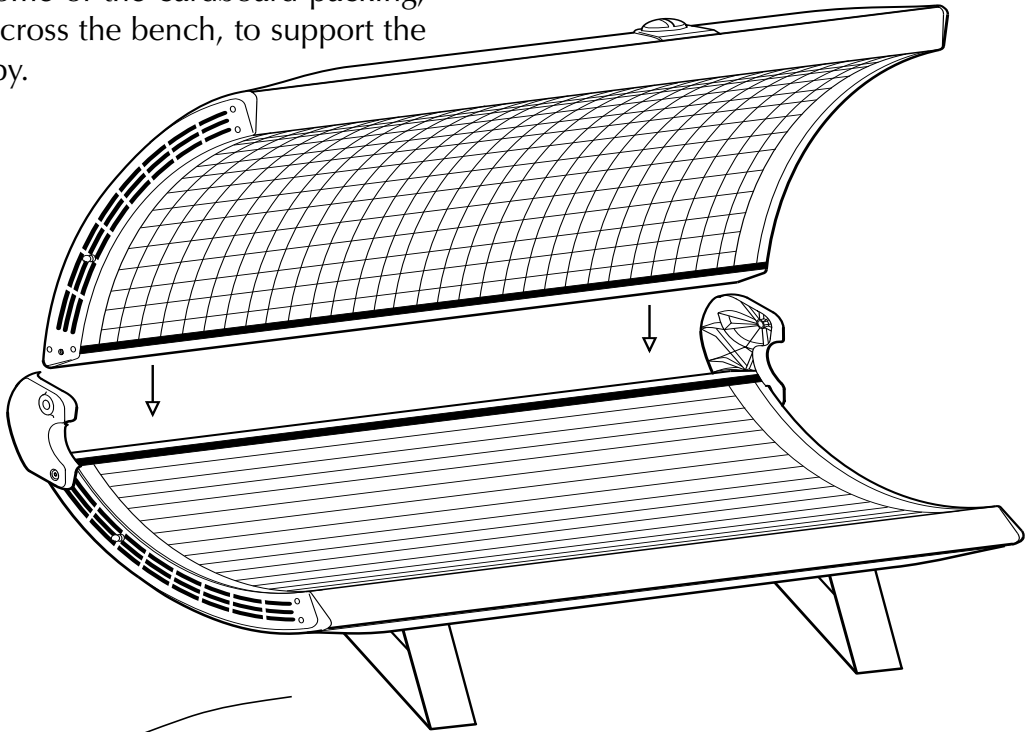
2. Place the bushings into the hinge brackets as shown below.





Attaching Canopy to Bench

1. Lift the canopy and hold it between the hinge brackets. You may want to use some of the cardboard packing, laid across the bench, to support the canopy.



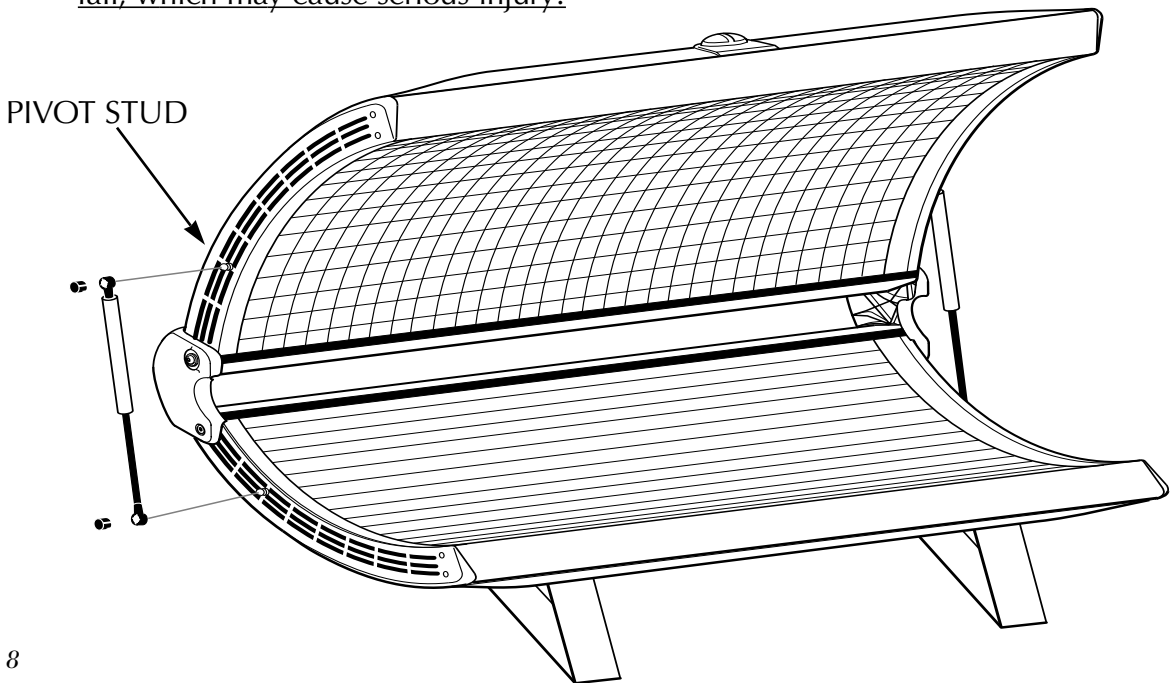
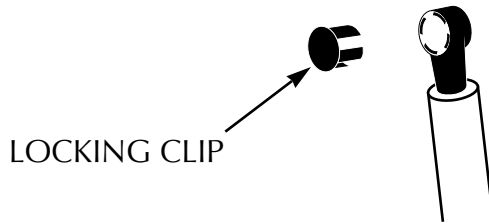
2. Insert the 5/16" x 1 1/2" bolts with the nylon washers into both hinge brackets. Tighten bolts into the end-cap threaded inserts until snug, then an additional half turn. Do not over-tighten to avoid damaging threaded inserts.



Attaching Gas Springs

1. The gas springs are shipped with locking clips installed. These clips must be removed before the gas springs can be installed.
2. With a helper holding the canopy open, align open ends of gas spring ball joints with pivot studs and push into place. Be sure spring cylinder is in up position as shown. DO NOT lower canopy until both gas springs are installed! Failure to install locking clips may result in the gas springs working loose, allowing the canopy to fall, which may cause serious injury!

3. Lift and lower canopy a few times to lubricate gas springs for optimum performance.

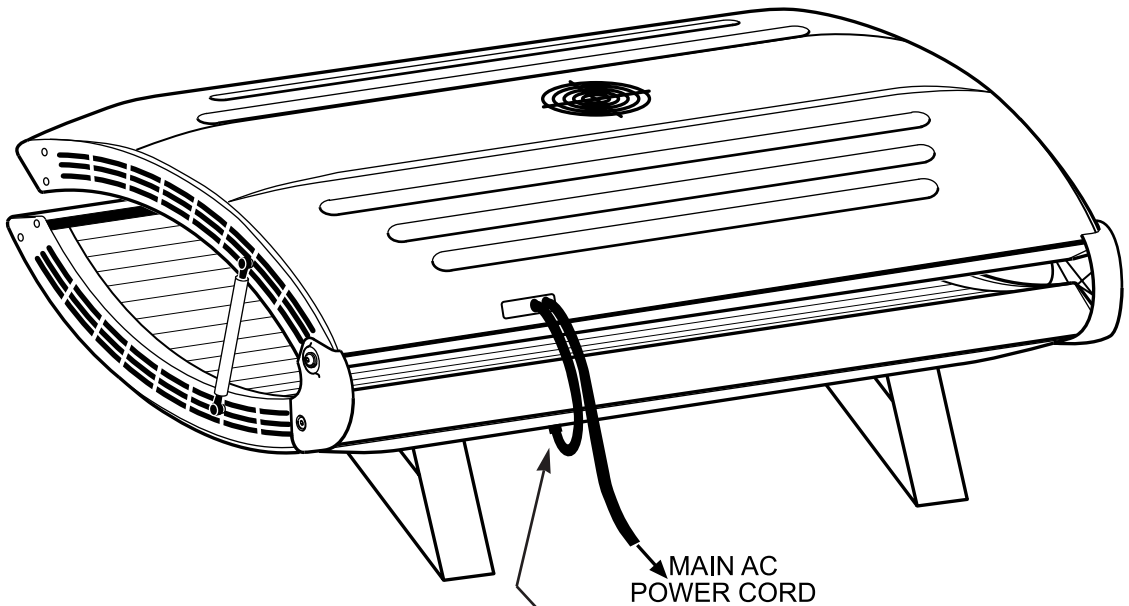




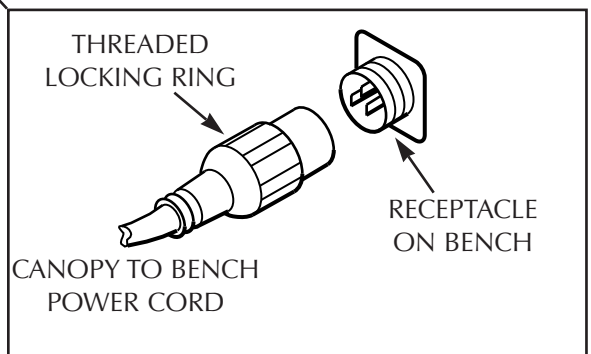
Making Electrical Connections

Warning! Be sure AC power is disconnected before connecting cables.

1. Connect the canopy to bench power cord to the bench receptacle. The plug is polarized. Align the terminals and firmly push on until seated then tighten the threaded locking ring.



2. Plug the three-prong 120V AC power cord into a dedicated outlet (see *Pre-Installation Planning*).





Before You Tan

Before using your sunbed, please note the following important precautions.

- Your skin should be free of cosmetics, tanning oils, or other body lotions prior to tanning except for those specifically made for use with tanning devices. However, do not remove natural body oils by bathing or showering immediately before tanning.
- Your hair should be free of gels, mousses, sprays, or other hair products prior to tanning. These products can cause damage to the sunbed acrylic. As an alternative, a shower cap or towel can be worn to keep treated hair away from the sunbed surfaces.
- As with all electrical appliances, do not operate this device near water or while you are wet.

- Some medication may increase your sensitivity to ultraviolet light. It is recommended that you consult a physician before using this sunbed if taking any medication or if you suspect that your skin might be especially sensitive to sunlight. Included with this manual is an FDA booklet on medications that increase sensitivity to light.

Exposure Times

Follow the guidelines for skin type and exposure times as shown in the table below. Untanned persons should not tan on consecutive days during their first week of tanning. Never tan more than once a day. Tanning normally appears after the first few sessions and maximizes after approximately four weeks. Tan once or twice per week thereafter to maintain appearance. Persons already having a base tan may begin at advanced levels corresponding to the extent of their base tan.

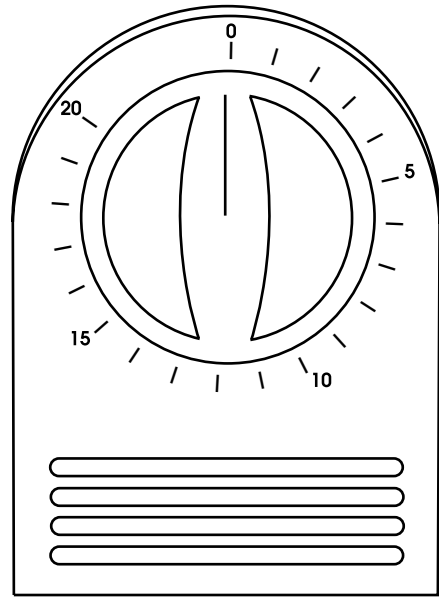
| RECOMMENDED EXPOSURE TIMES IN MINUTES | | MAXIMUM EXPOSURE TIME IS 20 MINUTES | | | | |
|---------------------------------------|---|-------------------------------------|---------|---------|---------|-----------------------|
| Skin Type: | | Level 1/Week 1 1st-3rd Sessions | Level 2 | Level 3 | Level 4 | Subsequent Maximum |
| I Sensitive Skin | (Burns easily and severely and does not tan.) | NOT RECOMMENDED FOR TANNING | | | | |
| II Light | (Burns easily and severely and tans minimally.) | 4 | 8 | 12 | 16 | 20 |
| III Normal | (Burns moderately and tans average.) | 6 | 10 | 15 | 20 | 20 |
| IV Dark | (Burns minimally, tans easily and above average.) | 8 | 12 | 16 | 20 | 20 |



Using Your Sunbed

Once you have read *Before You Tan* and *Exposure Times*, you are ready to use your sunbed. Proceed as follows.

WARNING! Your sunbed is designed for individual use. Only one pair of protective goggles is provided. Always wear these or another approved pair of goggles. Regular sunglasses do not provide adequate protection from ultraviolet light. You should never look at the lamps when turned on without wearing the appropriate protective goggles.



- Step 1** Set the timer to the desired number of minutes (after first determining the proper time period from the table on page 10). The lamps will turn on as soon as you move the rotary dial from the "0" position.
- Step 2** Lift the canopy, lie down on the bench (face up), and lower the canopy toward your body. For best results, position the canopy as close as possible to your body.
- Step 3** When the timer reaches 0, the lamps will automatically turn off.



Care and Maintenance

Cleaning After Use

Clean and disinfect your tanning bed's bench and canopy after each use. Use a non-abrasive disinfectant cleaner that **does not contain ammonia or ammonia derivatives**. Ammonia may damage the acrylic shield. Spray the acrylic lightly with disinfectant and wipe dry with a clean soft cloth. Wipe the canopy grid with a soft cloth slightly dampened with disinfectant then wipe dry. We recommend SunQuest® disinfectant and SunQuest® acrylic cleaner.

Thorough Periodic Cleaning

Introduction

The cooling fans draw air through the bed and over time will cause a dust buildup on the lamps and reflectors. This will reduce the tanning effectiveness of the bed. When a dust buildup is observed, it is necessary to thoroughly clean the inside of the bench and canopy. Warning! Disconnect sunbed from electrical power before cleaning.

Cleaning the Canopy and Bench

Step 1 Remove the acrylic shield, metal grid and lamps as described in *Replacing Lamps*.

Step 2 With a soft cloth, wipe the entire length of each lamp to remove any film buildup.

Step 3 Clean both sides of the acrylic shield and grid with a non-ammonia disinfectant cleaner.

Step 4 Wipe the reflectors with a clean damp cloth.

Step 5 Re-install the lamps, acrylic shield and grid.

Mechanical Inspection

Your tanning bed has been built for years of service. To ensure trouble-free operation throughout its life, inspect the unit's mechanical integrity every 400-500 hours of use.

- Inspect the unit's fasteners verifying that all are firmly in place. Pay particular attention to the hinge bolts.
- Inspect gas springs for signs of wear. Gas springs that will not hold the canopy in the full open position when raised should be immediately replaced.
- Inspect the timer as indicated in this manual under *Timer Maintenance*.
- Inspect the AC power cord and its connections.
- Inspect the acrylic. Broken, cracked or badly scratched acrylics should be immediately replaced.



Replacing Lamps

Introduction

To be assured of maximum tanning effectiveness, change lamps after approximately 800-1000 hours of use. Tanning will continue after this time but at a slower rate. To ensure trouble-free operation of your sunbed, replace the lamp starters whenever the lamps are replaced.

Warning! Disconnect sunbed from electrical power before servicing.

Removing/Replacing Acrylic Shield and Canopy Grid

The acrylic shield in the bench and metal grid in the canopy are secured in place by hinged profiles which run the length of the bed, both front and back.

Bench Shield

Simply pry up on the inside edge of the profile until it releases its latching action (see figure at right). Continue to pry up the profile across its entire length until it swings back freely. Repeat for the other profile. The long edges of the acrylic shield are now exposed. Standing in front of the sunbed, grasp the long exposed edge of the acrylic and carefully slide it toward you until it is removed.

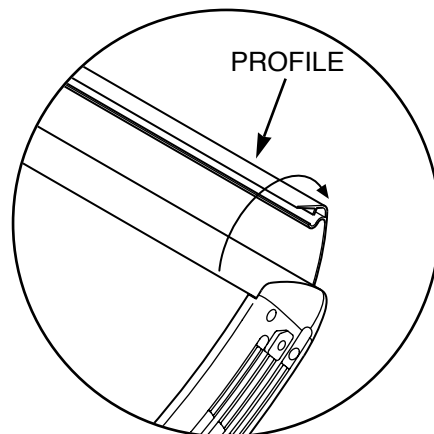
NOTE!

Be careful. The edges of the acrylic shield may be sharp.

Canopy Grid

As you pry the hinged profile open the canopy grid should start to drop out on its own. You may want to have a helper hold the grid while you pry open the profiles. If you need to, slide the grid toward the head or foot end of the sunbed and it will drop out easily.

After changing the lamps, replace the acrylic shield and canopy grid by reversing the above directions. Close the hinged profile by pushing it back into place until it snaps tight.





Removing/Replacing Lamps

After removing the acrylic shield and canopy grid, replace lamps as follows.

Step 1 Grasp a lamp at one end and at the middle, then turn the lamp a quarter turn. The lamp may then be gently removed from its holder.

Step 2 To reinstall a lamp, insert the pins located on the ends of the lamp into the slots on top of the lamp holder and turn the lamp a quarter turn.

Recommended Replacement Lamps

We recommend using the lamps specified below. Use of uncertified lamps is a violation of Federal regulations and will void your warranty. These lamps have an average life of 800-1000 hours of effective tanning use. Lamps used longer than that begin to lose their effectiveness even though they will continue to light.

ONLY THE FOLLOWING LAMPS HAVE BEEN CERTIFIED FOR USE IN THE Pro 16SE:

Velocity® Wolff® Model VEL 71-T12-100W

Diamond Sun® S Wolff® Model DSS71-T12-100W PREHEAT BIPIN



Timer Maintenance

Your *SunQuest*[®] sunbed is equipped with a backup shut-off timer which will automatically turn off the sunbed in the unlikely event of a malfunction of the primary timer. This important safety feature also prevents the user from resetting the timer before the end of the pre-set maximum time interval. The electronic timer limiting circuit is automatically reset each time the primary timer is turned to the OFF position.

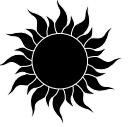
Annually, or whenever your sunbed is re-lamped, check the operation and accuracy of the timer system as follows. DO NOT perform these tests with a person in the sunbed.

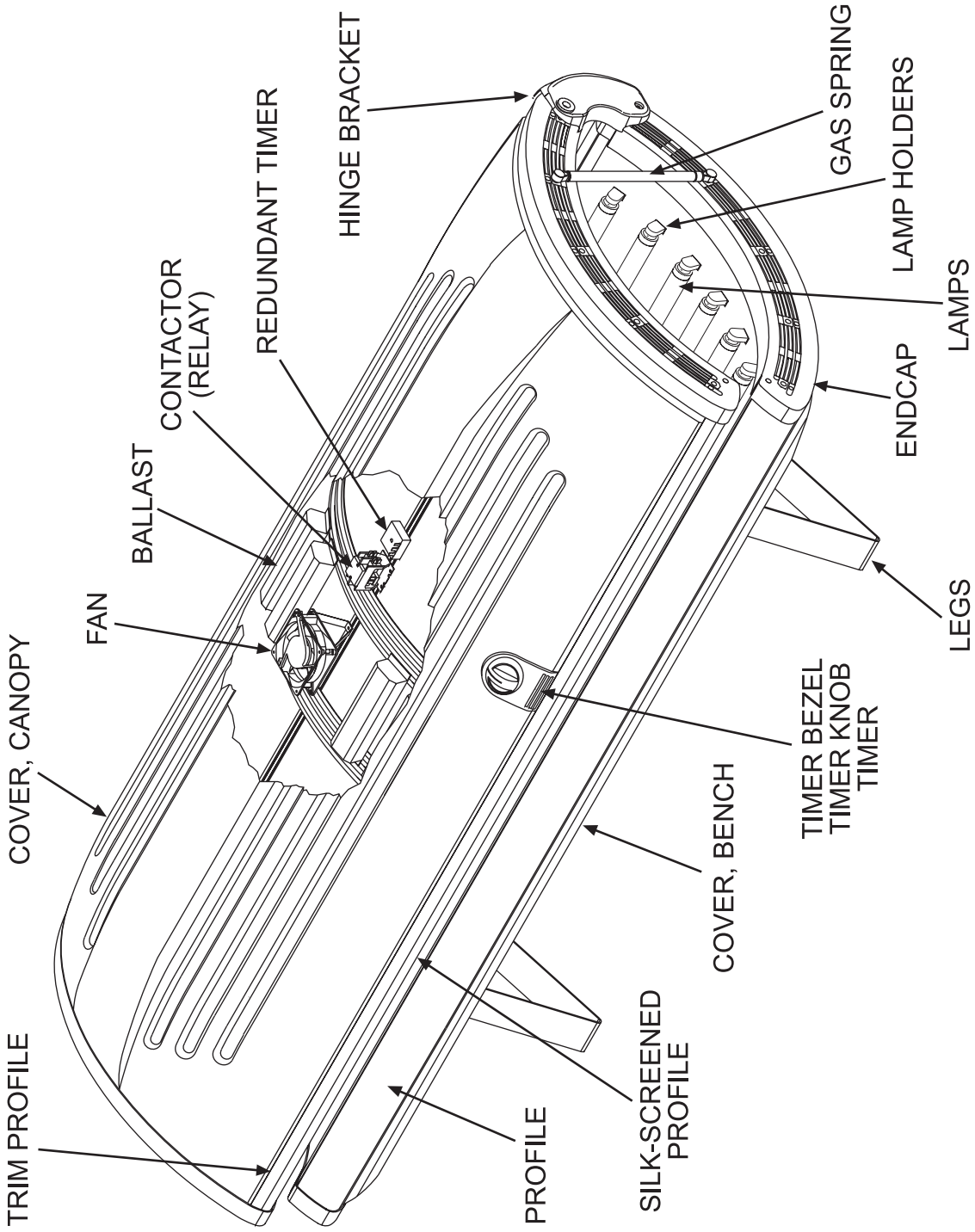
Step 1 Obtain an accurate watch capable of measuring in seconds. Set the timer to its maximum interval. Using the watch, time how long the lamps remain on. The lamps should shut off within plus or minus 10% of the maximum timer interval.

Step 2 Set the timer to the maximum time interval. Wait ten minutes, then turn the knob back to the maximum time position. The electronic time limiting circuit should turn the lamps off at an elapsed time equal to approximately 10% beyond the maximum timer interval, even though the primary timer continues to show time left.

Call ETS Customer Service if your timer does not operate properly, or if you experience difficulty with these tests.

| <i>Problem</i> | <i>Solution</i> |
|---|---|
| Lamps fail to light | <ol style="list-style-type: none"> 1. Check source of AC power. Reset circuit breaker or replace fuse if necessary. 2. Make sure the unit is plugged into outlet. 3. Make sure cord between canopy and bench is properly connected. 4. Make sure timer dial is turned to a number past 0. |
| One or more lamps fail to light | <ol style="list-style-type: none"> 1. Check that lamp is installed correctly. 2. Switch unlit lamp with a lamp that lights. If the new lamp lights and the old lamp still does not, replace old lamp. 3. If replacing lamp does not remedy problem, contact your service representative. |
| Canopy fails to stay in the up or down position | <p>Gas springs should hold the canopy fully open as well as allow it to rest fully closed. If the canopy is left open for an extended period of time it may creep down. This is considered normal. Keep the canopy closed when not in use. Replace gas springs when they no longer have sufficient power to hold the canopy open when raised.</p> |
| Sunbed does not stay lit | <ol style="list-style-type: none"> 1. Check source of AC power. Reset circuit breaker or replace fuse if necessary. 2. Check timer system per maintenance instructions in this guide. Contact your service representative. |





Parts List

(When calling for parts, first state your bed model as H-16SE. Then refer to this list and illustration for proper part identification.)

Acrylic, Bench*
Ballast
Canopy Grill*
Contactor (Relay)
Cover, Bench
Cover, Canopy
Endcap Kit (1 left and 1 right endcap)
Fan
Gas Spring set
Hardware Kit* (assembly hardware)
Hinge Brackets (left and right)
Lamp holder
Lamps
Leg Mounts* (found inside the bench)
Legs
Manual*
Pillow*
Profile (blank)
Redundant Timer
Schematic Packet*
Silk-screened Profile
Timer
Timer Bezel
Timer Knob
Trim Profile (blue)

Record this information for ease of service:

Date of purchase: _____

Bench serial number: _____

Canopy serial number: _____

* Not shown

**CALL FOR SERVICE OR
QUESTIONS:
1•800•449•3605**



**6270 Corporate Drive
Indianapolis, IN 46278-2900**

