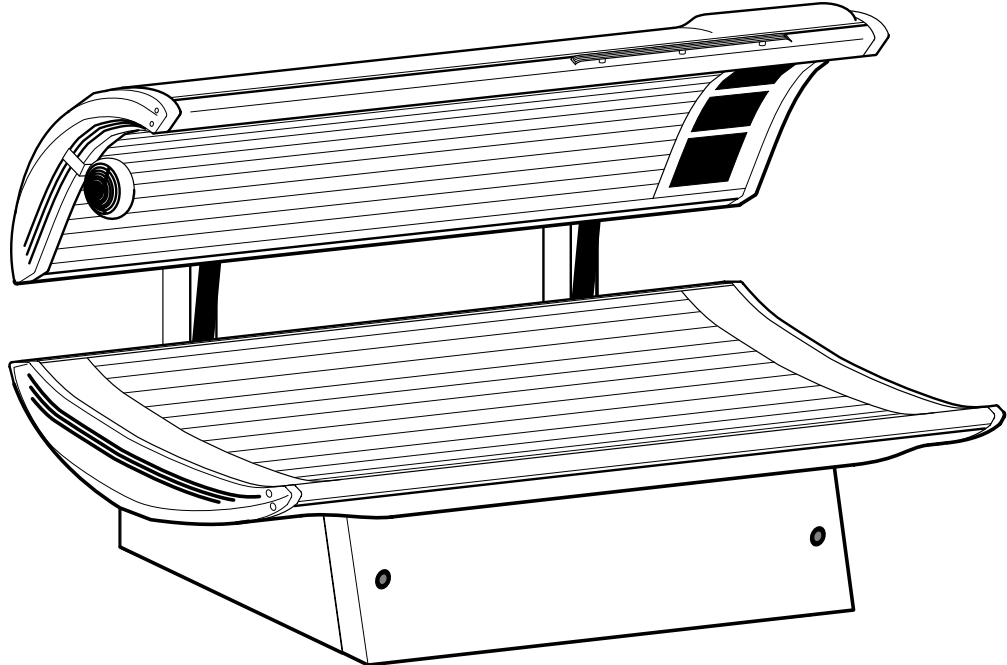


USER GUIDE



MODELS SUPER ZX32 / ZX32 3F / ZX32 T

22544A

### **Limited Lifetime Warranty**

**SunStar**<sup>®</sup> warrants your tanning unit to be free of structural defects in its material and workmanship, under normal use, for its lifetime. **SunStar** will repair or replace, at their discretion, any defect to the structure which affects the performance of the unit.

For 6 months from the date of purchase, **SunStar** will provide replacements for parts that prove to be defective in material or workmanship. Acrylic shields, fluorescent lamps, and lamp starters are excluded from this warranty. Labor will be covered for 30 days from purchase date. Normal wear, damage from misuse or abuse, damage incurred in transit, or damage done by unauthorized repairs or modifications are not covered by this warranty.

ETS, Inc. disclaims any implied warranty of merchantability or fitness for any period beyond the expressed warranty. Some states do not allow limitations on how long an implied warranty lasts, so the above limitations may not apply to you.

No one has authority to change or modify this Limited Lifetime Warranty in any respect. To obtain service under the Limited Lifetime Warranty, contact ETS, Inc. at 1-800-449-3605, and ask for the Technical Service Department.

ETS, Inc. SHALL NOT BE LIABLE FOR LOSS OF USE, LOSS OF TIME, INCONVENIENCE, RENTAL OR SUBSTITUTE PRODUCTS, LOSS OF BUSINESS, LOSS OF INCOME, OR ANY OTHER INCIDENTAL OR CONSEQUENTIAL DAMAGES. Some states do not allow the exclusion or limitation of incidental or consequential damages, so the above limitation or exclusion may not apply to you.

This warranty gives you specific legal rights, and you may also have other rights which may vary from state to state.

All warranty service must be performed by an authorized service person. If your tanning unit must be returned for service, all freight charges must be at your expense. Contact your place of purchase for the address of the **SunStar** Service Center nearest you. Proof of purchase is required to obtain warranty service.

This warranty covers the original purchaser only. This warranty is void if the unit is modified in any manner from its original design.

# Welcome

---



Congratulations on your purchase of this technologically advanced sun tanning unit. It has been designed to provide years of dependable service for you.

Please read all the instructions in this booklet before installing and using the unit. Always be sure to observe all safety precautions.

# Contents

---



<b>Safety Information</b> .....	<b>.iii</b>
<b>Installation</b> .....	<b>.1</b>
Unpacking and Inspection .....	.1
Tools Required .....	.2
Pre-Installation Planning .....	.3
Assembly Procedures .....	.4
Electrical Connections .....	.16
Remote Connections .....	.17
<b>Operation</b> .....	<b>.19</b>
Before You Tan .....	.19
Exposure Times .....	.19
Using Your Sunbed .....	.20
<b>Care and Maintenance</b> .....	<b>.22</b>
Introduction .....	.22
Cleaning After Use .....	.22
Thorough Periodic Cleaning .....	.22
Mechanical Inspection .....	.22
Lamp and Acrylic Replacement .....	.23
<b>Troubleshooting</b> .....	<b>.26</b>
<b>Maintenance Schedule</b> .....	<b>.29</b>
<b>Service Contacts</b> .....	<b>.back cover</b>

# Safety Information



**LABELING NOTICE:** Labels are affixed on all systems to inform the user of possible dangers. Regulations are stated in 21 CFR, Section 1040.20, and require that all products manufactured after September 8, 1986 which use sunlamps must display the following:

**DANGER** Ultraviolet radiation. Follow instructions. Avoid overexposure. As with natural sunlight, overexposure can cause eye and skin injury and allergic reactions. Repeated exposure may cause premature aging of the skin and skin cancer. WEAR PROTECTIVE EYEWEAR; FAILURE TO MAY RESULT IN SEVERE BURNS OR LONGTERM INJURY TO THE EYES.

Medications or cosmetics may increase your sensitivity to the ultraviolet radiation. Consult physician before using sunlamp if you are using medications or have a history of skin problems or believe yourself especially sensitive to sunlight. If you do not tan in the sun, you are unlikely to tan from the use of this product.

To use, lie down under canopy and pull down as far as adjustment will allow. Minimum use distance from face tanner (if equipped) is 1 inch or 2.54 centimeters. Minimum use distance elsewhere is touching the clear plastic panels. Do not use without clear plastic panels in place. Untanned persons should not tan on consecutive days during their first week of tanning. Never tan more than once a day. Tanning normally appears after the first few sessions and maximizes after approximately four weeks. Tan once or twice per week thereafter to maintain appearance. Persons already having a base tan may begin at advanced levels corresponding to the extent of their base tan.

RECOMMENDED EXPOSURE TIMES IN MINUTES		MAXIMUM EXPOSURE TIME IS 20 MINUTES				
Skin Type:		Level 1/Week 1 1st-3rd Sessions	Level 2	Level 3	Level 4	Subsequent Maximum
I Sensitive Skin	(Burns easily and severely and does not tan.)	NOT RECOMMENDED FOR TANNING				
II Light	(Burns easily and severely and tans minimally.)	4	8	12	16	20
III Normal	(Burns moderately and tans average.)	6	10	15	20	20
IV Dark	(Burns minimally, tans easily and above average.)	8	12	16	20	20

New lamps emit approximately 20% more ultraviolet radiation during the first 50 hours of operation. Recommended tanning times should therefore be reduced by approximately 20% during that period.

**WARNING:** • Read the instructions booklet before using this sunlamp product. • All persons in the room should wear protective eyewear when lamps are on. Recommended eyewear: provided eyeshields (Lucas Products Super Sunnies or Intrexco No. 5635/1) or equivalent eyewear as defined under 21 CFR 1040.20. Other types of eyewear may not provide adequate protection.

DISCONNECT POWER CORD BEFORE ATTEMPTING TO CLEAN, RELAMP, OR ENGAGE IN THE MAINTENANCE OF THIS PRODUCT.

ONLY THE FOLLOWING LAMPS HAVE BEEN CERTIFIED FOR USE IN THE MODEL SUPER ZX32:

**Diamond Sun® S Wolff® Model 71T12100W**

ONLY THE FOLLOWING LAMPS HAVE BEEN CERTIFIED FOR USE IN THE MODEL SUPER ZX32T:

**Diamond Sun® S Wolff® Model 71T12100W**

**Turbo Sun™ S Wolff® Model F8-T5-10W**

ONLY THE FOLLOWING LAMPS HAVE BEEN CERTIFIED FOR USE IN THE MODEL SUPER ZX32 3F:

**Diamond Sun® S Wolff® Model 71T12100W**

**Philips Model HPA 400/30s or CosmoTech Model 23045 or 20046 (Facial Unit)**

THIS EQUIPMENT MUST BE EARTH GROUNDED.

THIS PRODUCT IS IN CONFORMITY WITH PERFORMANCE STANDARDS FOR SUN LAMP PRODUCTS UNDER 21 CFR PART 1040.20

# Installation

---



## Unpacking and Inspection

Your sunbed comes in two cardboard cartons, one for the bench and one for the canopy. Open the cartons and remove the bench and canopy as follows.

The bench and canopy are each wrapped in plastic. Pull away the plastic wrap and, with a helper, lift the bench from the carton. Do the same for the canopy. **Do not attempt to lift the bench or canopy with the plastic still on as it may slip.**

**Note!** The cartons are reusable, in the unlikely event that you may find it necessary to return your sunbed.

The canopy box contains the canopy unit, a pair of gas springs, and the opening handle. The bench box contains the following items:

- Bench Unit
- Bag containing front and side skirts with mounting screws
- Bag containing necessary assembly hardware, remote bypass, safety goggles, and pillow
- Box containing two stand legs, two cross member supports, and four skirt mounting brackets

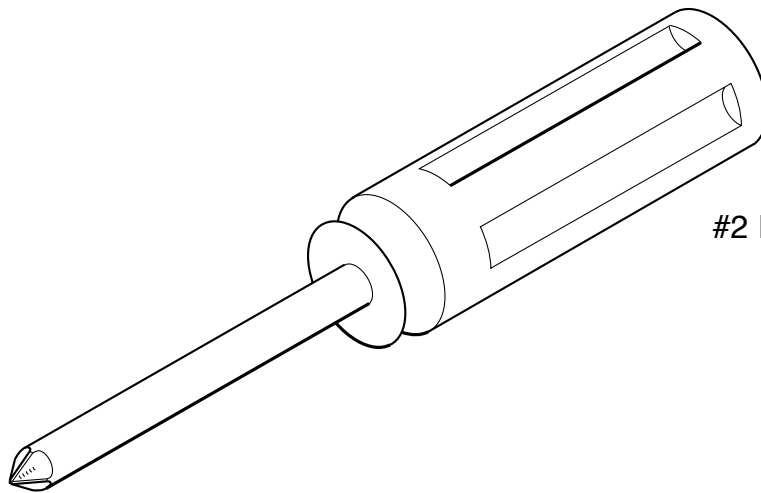
Inspect these items, including the canopy and bench, and make sure they are free from any visible damage. Report the extent of any damage to the transportation company.

Record the serial numbers of the canopy and bench in the area provided on the back of this manual. This information will be required whenever you call customer service.

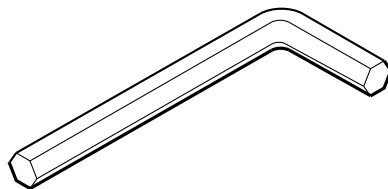


## Tools Required

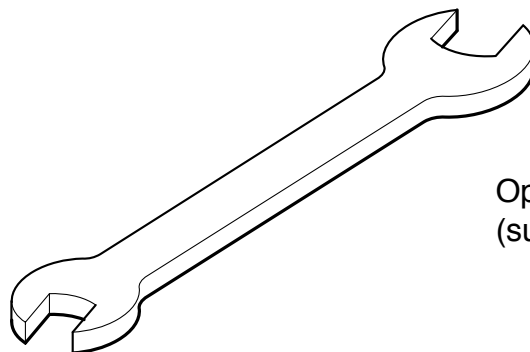
You will need the following tools to assemble your sunbed:



#2 Phillips Screwdriver



Allen Wrench  
(supplied in hardware kit)



Open-end Wrench  
(supplied in hardware kit)



## Pre-Installation Planning

Before assembling your sunbed, observe the following pre-installation considerations.

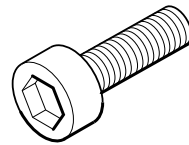
- Your sunbed operates from a 220V AC source. The unit should be wired to a dedicated circuit as described below.  
(We recommend connection by a professional electrician.)
- **IMPORTANT!** Voltage must be below 230V AC or may require a Buck Booster, contact ETS service at the number on the back of this guide. Use of a voltage source above 230V AC may reduce the life of some components in your sunbed.
- **The SunStar® Super ZX32, ZX32T and ZX32 3F** require a dedicated circuit capable of providing **30 Amp** service. This unit must be hardwired directly to a junction box.
- Make sure the room in which you intend to use your sunbed is well ventilated. Air from the room is used to cool the sunbed, and a poorly ventilated room may cause the unit to become hot and cause discomfort to the user.
- Your sunbed is designed to operate in an ambient room temperature of 80°F maximum and 70% relative humidity.
- Place your sunbed no closer than 6" from any wall. Make sure that curtains, drapes, and other room furniture do not obstruct the airflow into the end caps or out of the fan opening areas.
- Proper assembly of your sunbed requires three people. Plan to have a couple of helpers assist you.
- Some portions of the carton will be used for assembly. Do not discard cartons until assembly is complete.



## Assembly Procedures

### Hardware Inventory

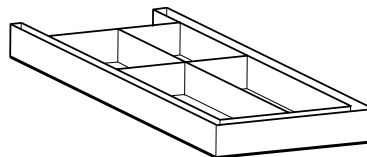
Before you begin, use a utility knife to cut open the Hardware Bag and Blister Pack and remove the hardware. Make sure you have the following hardware items.



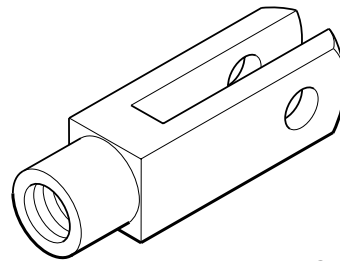
**Bolt, M8 x 20mm  
Hex Socket Head**  
Quantity 8



**Washer, M8 Flat**  
Quantity 12



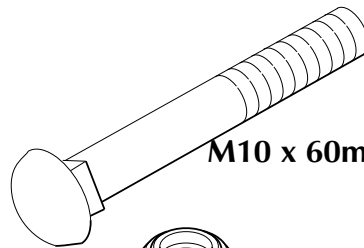
**Foot Caps**  
Quantity 4



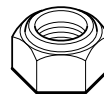
**Clevis Fork,  
M10 Long**  
Quantity 4



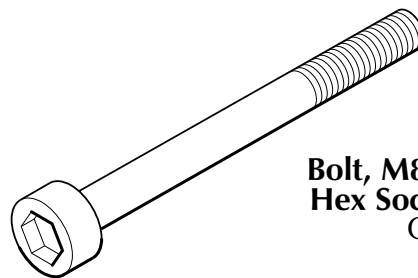
**Spacer, 15mm  
Plastic**  
Quantity 4



**Bolt,  
M10 x 60mm Carriage**  
Quantity 2

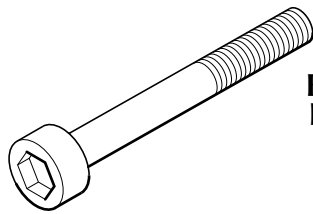


**Nut,  
M10 Self-locking**  
Quantity 2



**Bolt, M8 x 80mm  
Hex Socket Head**  
Quantity 4





**Bolt, M8 x 60mm  
Hex Socket Head**  
Quantity 2



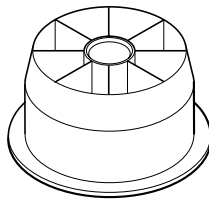
**Nut, M8 Self-locking**  
Quantity 2



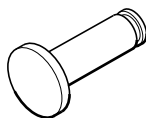
**Cap, Plastic Trim**  
Quantity 4



**Washer, Plastic Trim**  
Quantity 4



**Bearing, Nylon  
Floating**  
Quantity 4



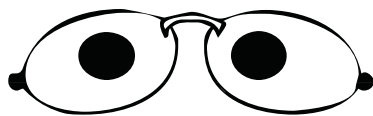
**Pin, Clevis 10mm**  
Quantity 2



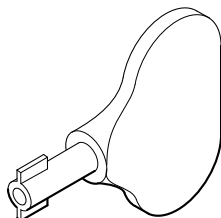
**Retaining Ring**  
Quantity 2



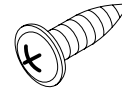
**Bushing, Bronze 10mm**  
Quantity 2



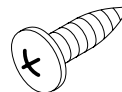
**Goggles**  
Quantity 1



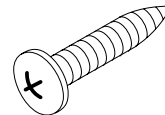
**Skirt Latch Key**  
Quantity 1



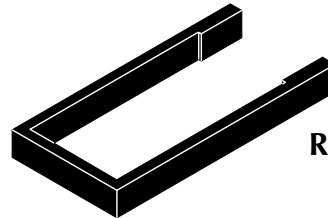
**Screw, #10 x 1/2"  
Washer Head, White**  
Quantity 8



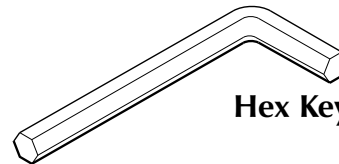
**Screw, #10 x 1/2"  
Phillips Head**  
Quantity 8



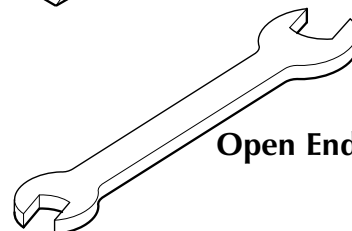
**Screw, #10 x 1"  
Phillips Pan Type AB**  
Quantity 3



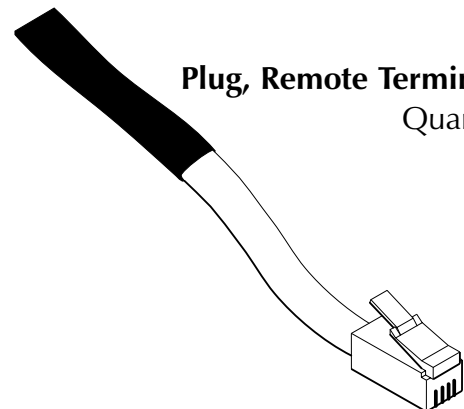
**Rubber Leg Cap**  
Quantity 2



**Wrench,  
Hex Key 6mm (Allen)**  
Quantity 1



**Wrench,  
Open End 13mm/17mm**  
Quantity 1



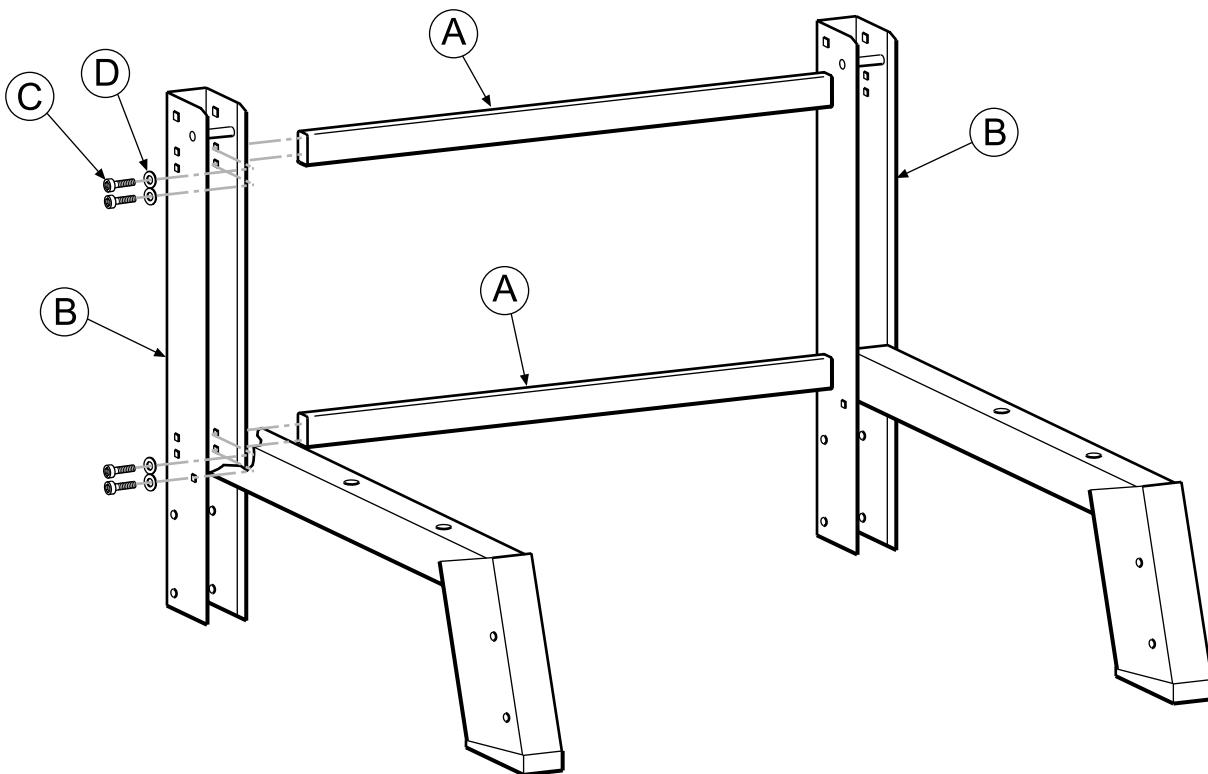
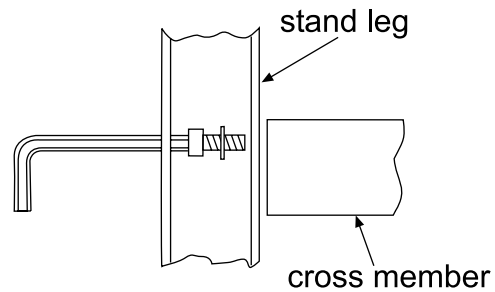
**Plug, Remote Termination**  
Quantity 1



### Stand Assembly

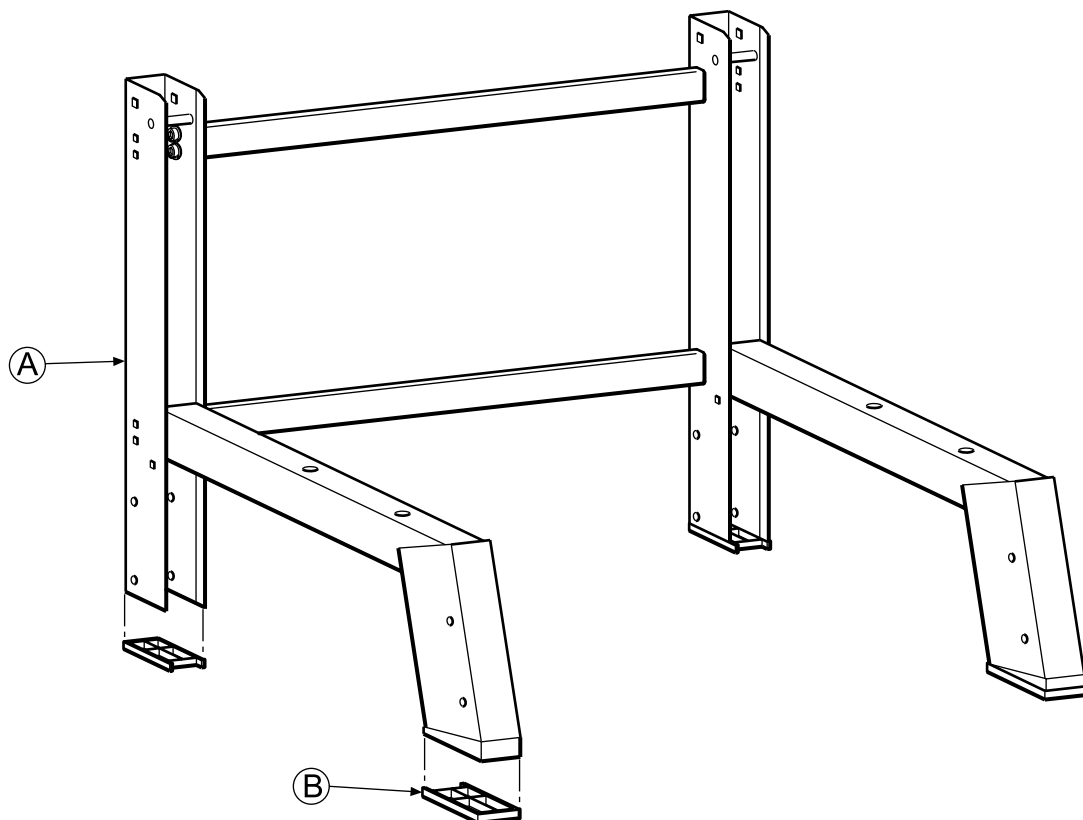
1. Fit the cross member supports (A) to the stand legs (B) using the M8 x 20 bolts (C) and the M8 washers (D). Assemble the bolts a few turns only.
2. After the stand is assembled tighten all bolts.

**Tip:** The rectangular hole on the outside of the stand leg channel is for Allen wrench access. First insert the supplied Allen wrench into the outside rectangular hole. Next slide the washer onto the bolt and the bolt onto the Allen wrench inside the stand channel.



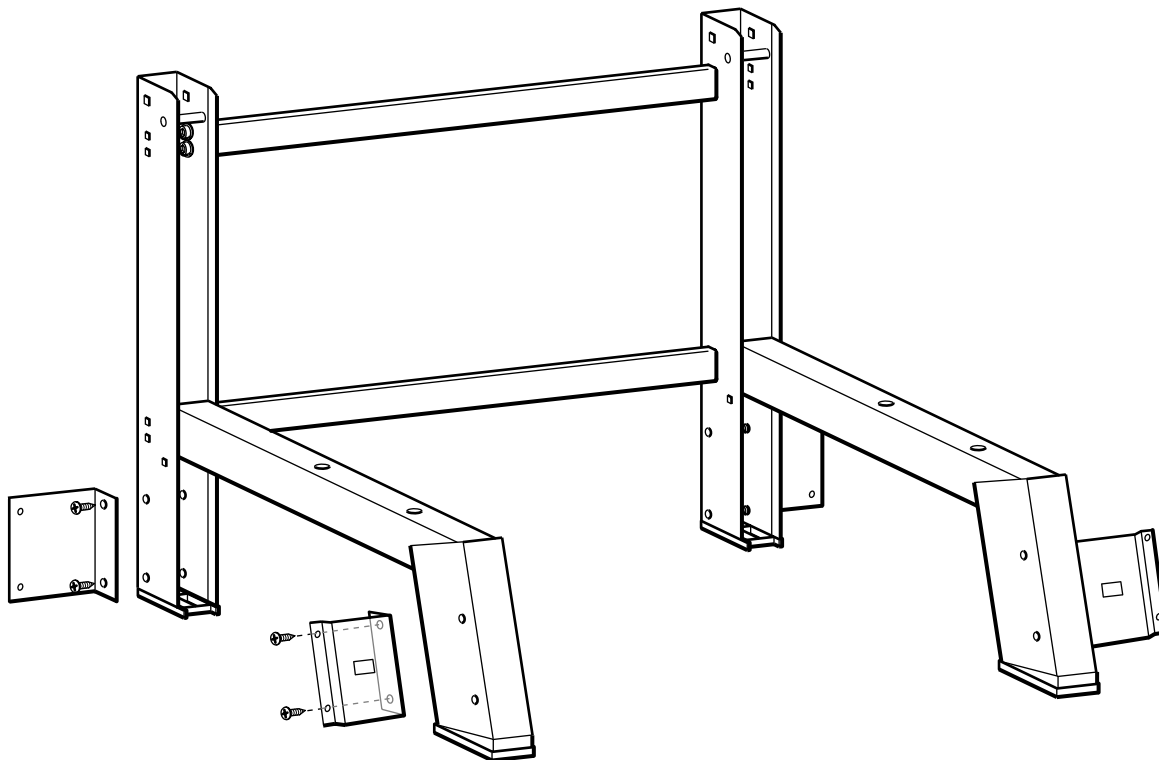


3. Place the Foot Caps (B) under the stand legs (A) and position the stand in the approximate spot you want the bed.



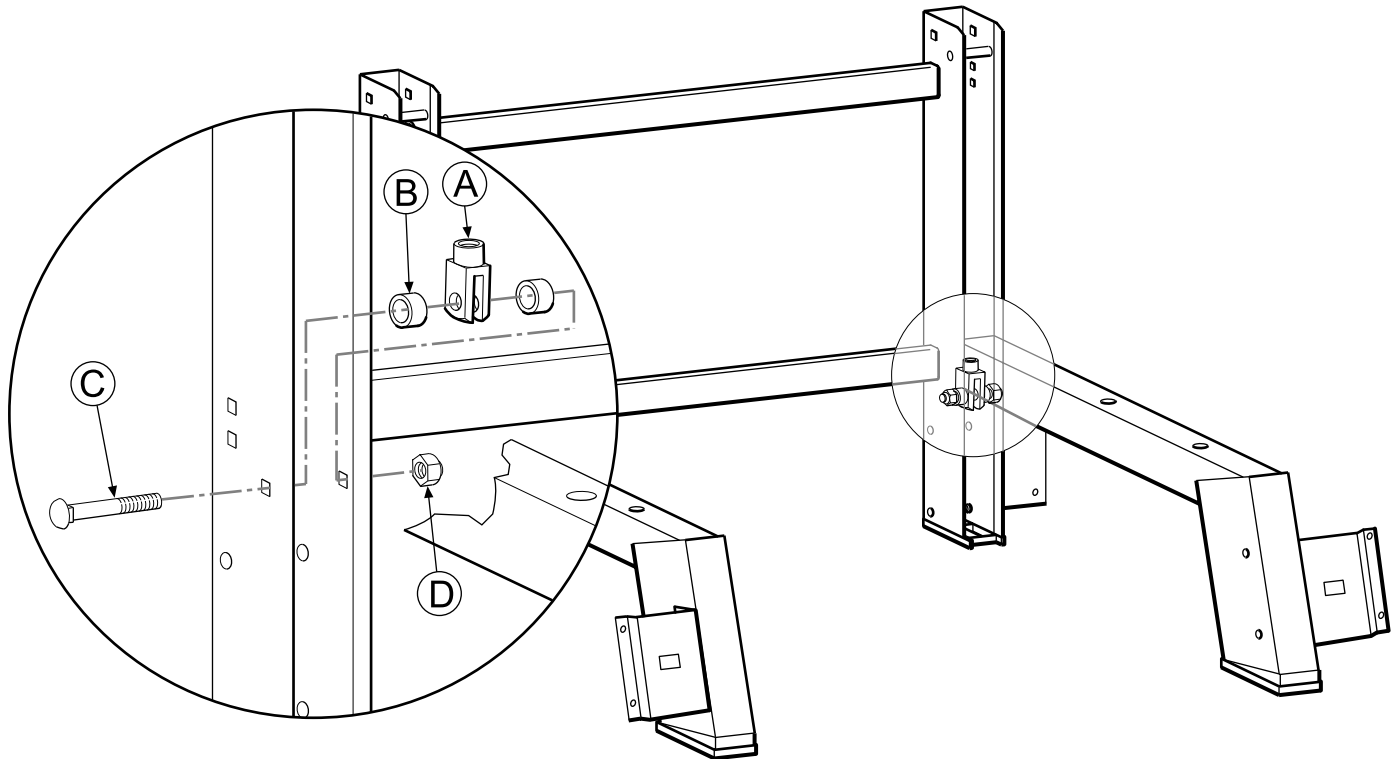


4. Attach the four skirt mounting brackets to each corner of the stand legs, using eight chrome colored #10 x 1/2" Phillips screws. Each location is predrilled to accept a bracket. You will notice that there are two types of brackets. The rear brackets are simply "L" shaped, while the front brackets have a rectangular hole and a slight step.





5. Assemble the lower clevis forks (A) in the stand using the 15mm spacers (B), the M10 x 60 carriage bolts (C) and the M10 self-locking nuts (D). When assembled the threaded hole in the clevis fork should point upwards.

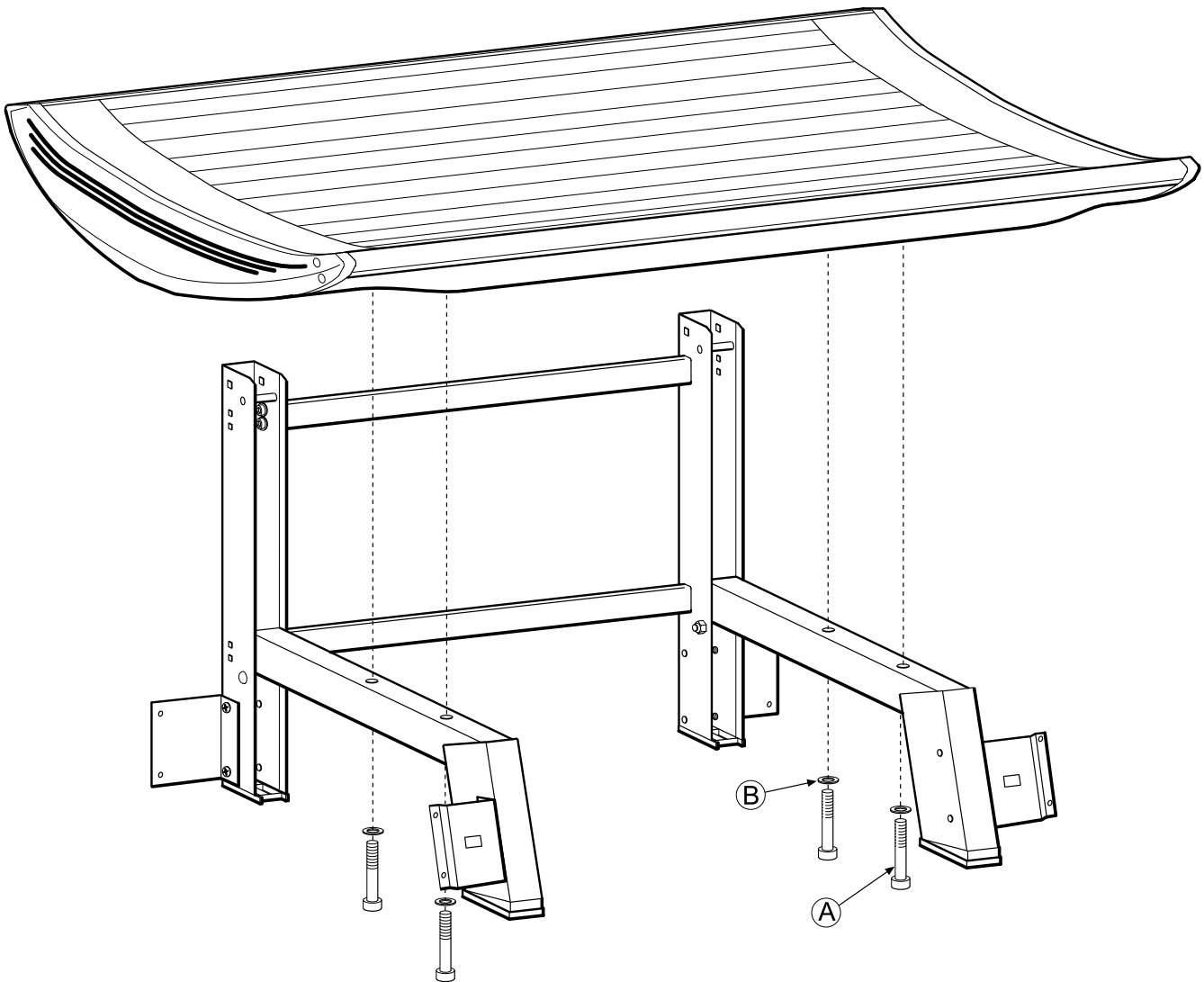




### Attaching Bench to Stand

**Tip:** Fasten one bolt on each end before inserting the other two.

1. Place the sunbed bench carefully on the stand and fasten it in position using the M8 x 80 bolts (A) and the M8 washers (B). Position the bench with the electrical connector toward the back.



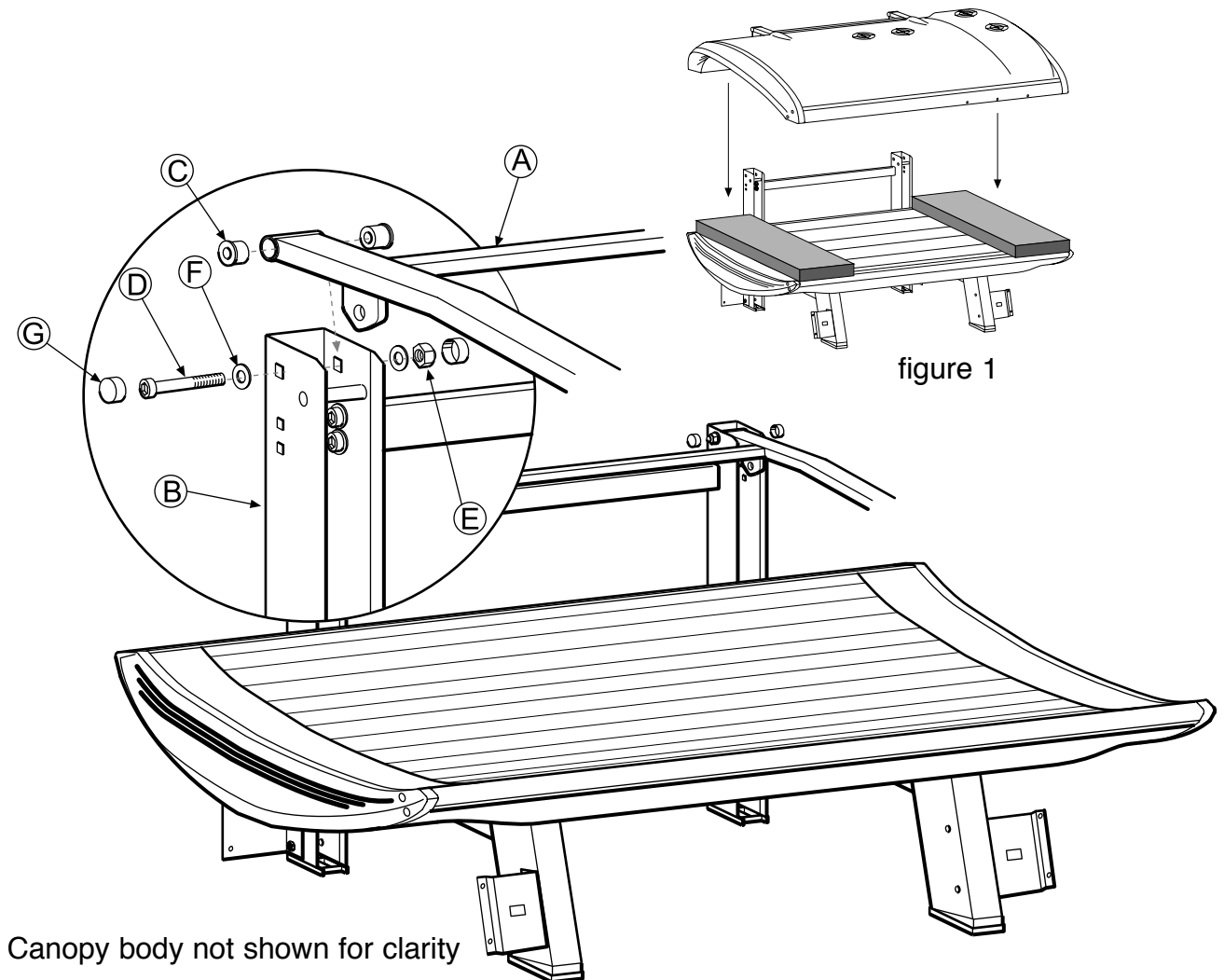


### Attaching Canopy to Stand

1. The bench is packaged with two spacer boxes. Use these boxes to span the width of the bench to support the canopy during the next few steps. (See figure 1)
2. Lift the canopy assembly onto the boxes with the arms (A) toward the back.

3. Insert the floating bearings (C) into the canopy assembly arm (A). Attach the arm (A) to the stand legs (B) using M8 x 60 bolts (D), the plastic trim washers (F) and the M8 self-locking nuts (E). Next click the plastic caps (G) over the bolt heads and the self-locking nuts.

**Note:** The plastic trim washers (F) have a ridge to engage the plastic caps. This ridge must face away from the stand legs to engage properly.

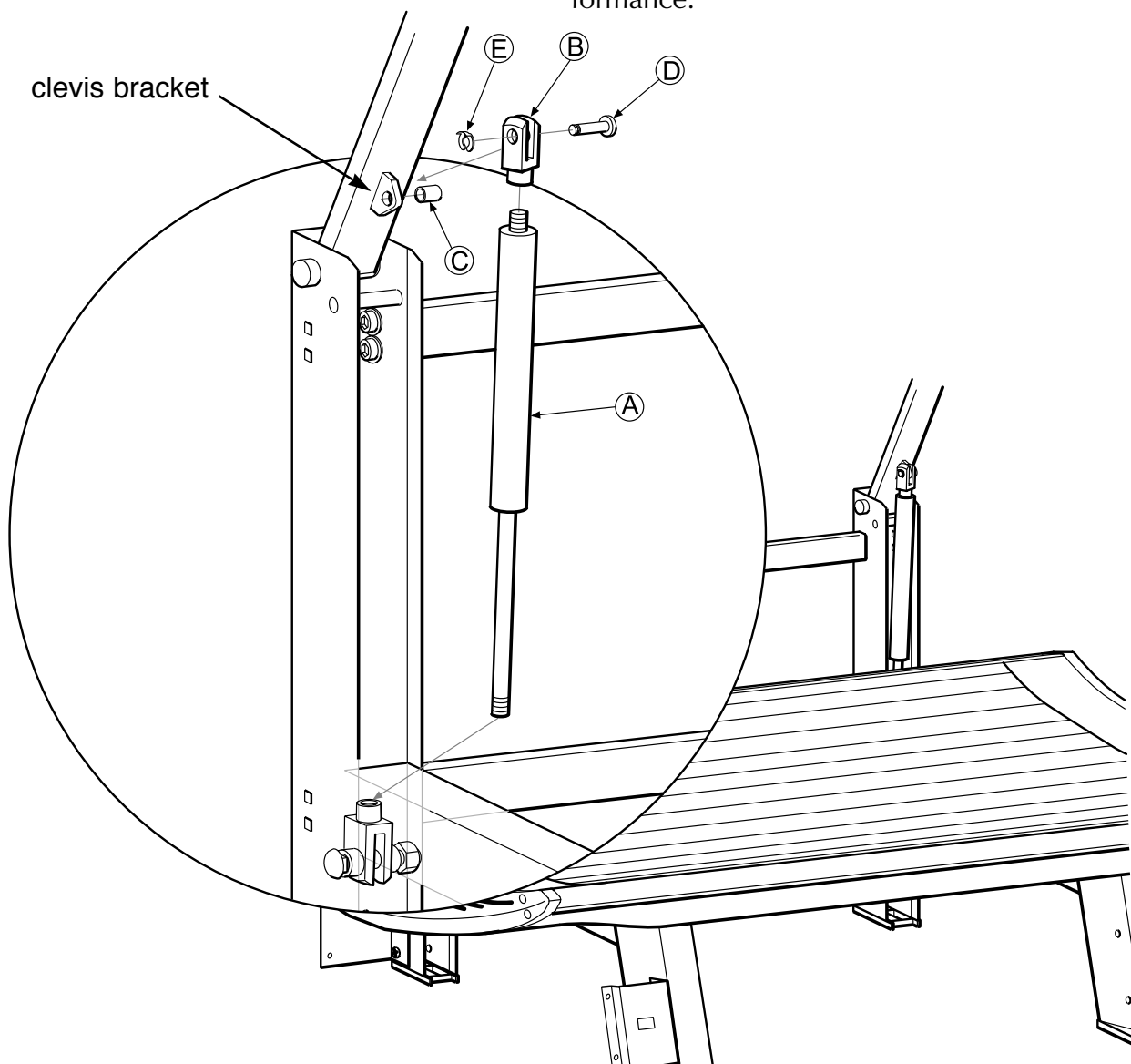




4. Lift the canopy assembly to its fully open position and have two helpers hold it.
5. Screw the rod end of the gas spring (A) into the lower clevis fork previously attached to the stand legs. Screw the other clevis fork (B) to the piston end of the gas spring (A).

6. Now insert the bronze bushing (C) into the clevis bracket hole. Line up both clevis forks (B) and lower the canopy until the clevis fork (B) engages the bushing (C) and attach with the clevis pin (D) and retaining ring (E).

**Note:** When this assembly is complete, lift and lower the canopy a few times to lubricate the gas springs for optimum performance.

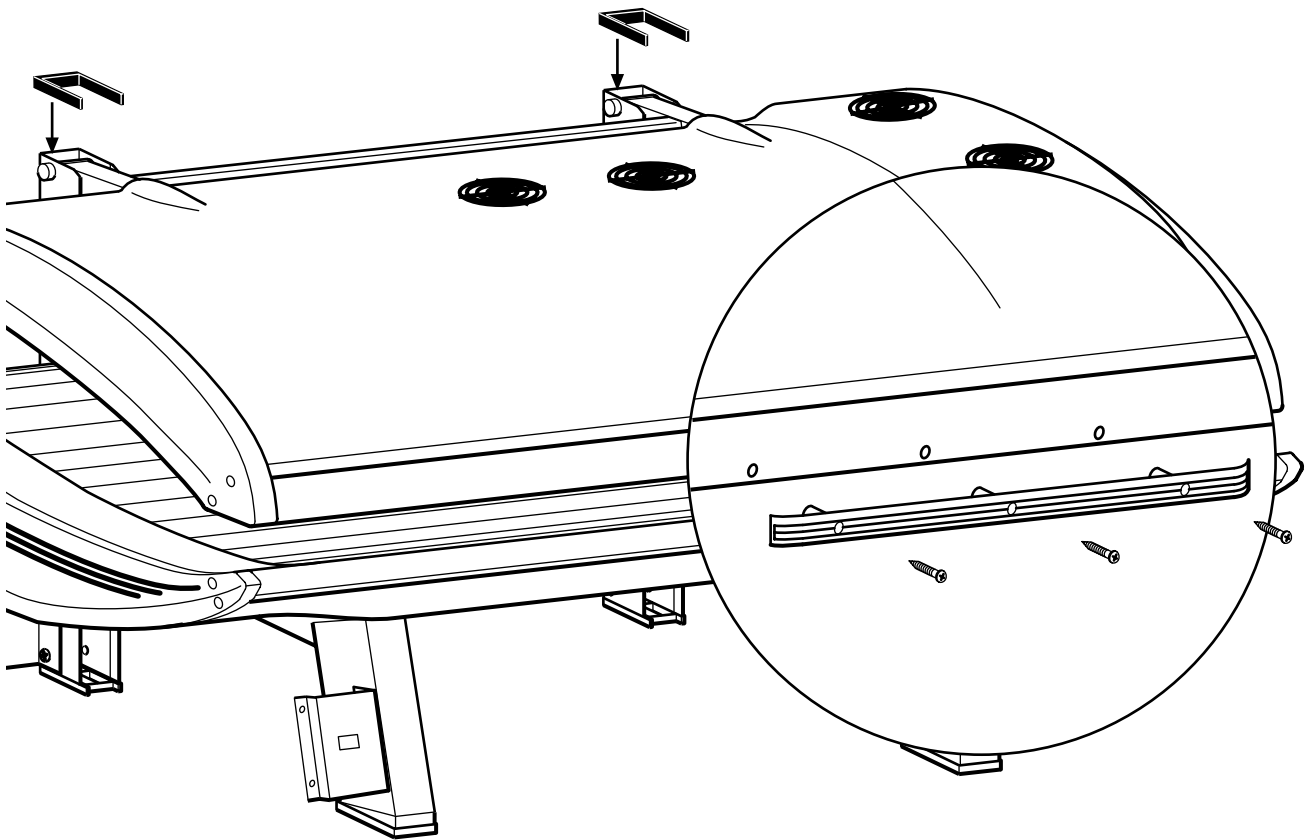






### **Attaching Handle to Canopy**

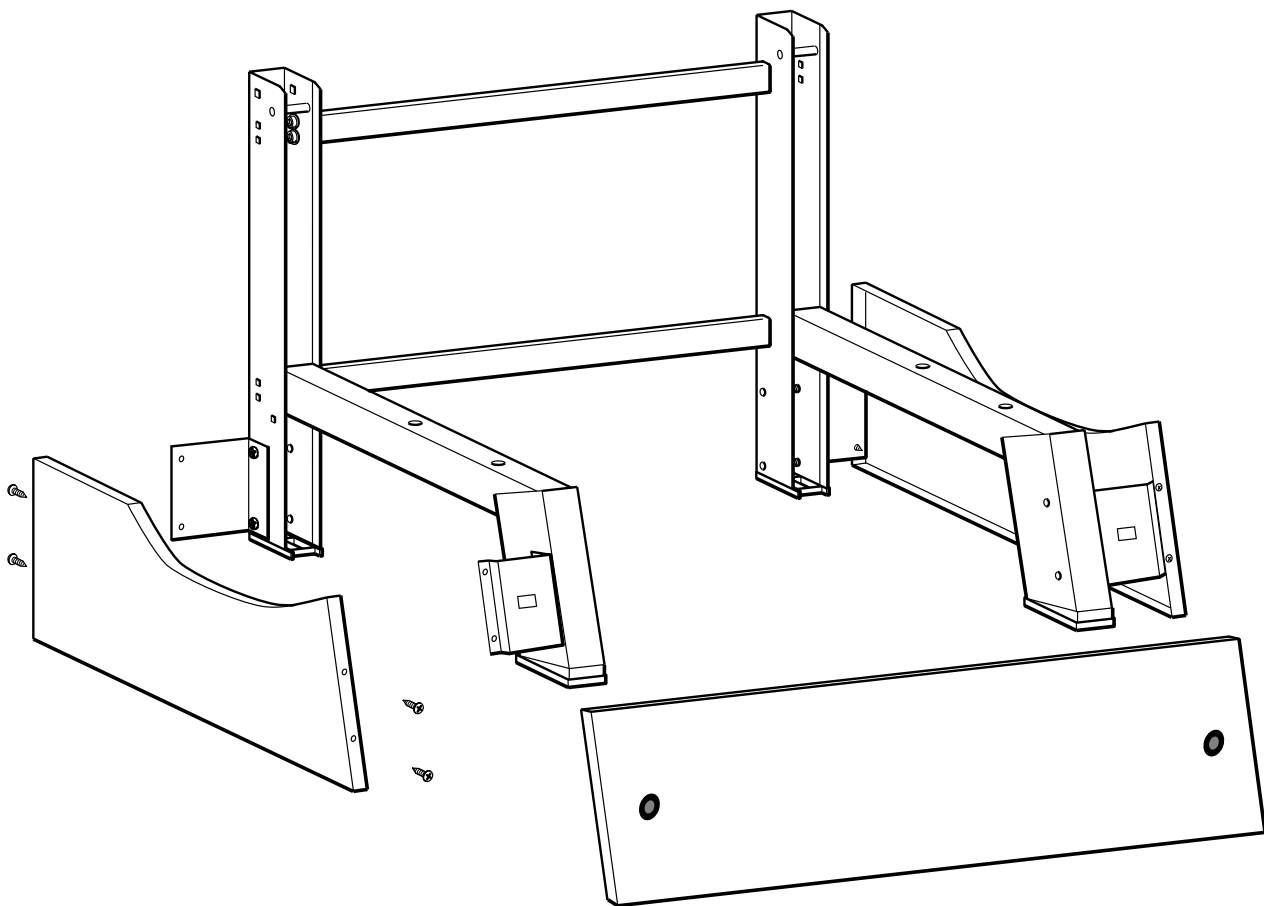
1. Install handle by inserting three #10 x 1" Phillips screws through the handle and into the predrilled holes on the canopy.
2. Press the rubber caps on the stand legs.





### Attaching the Skirt Assembly

1. Place the side skirts against the two skirt mounting brackets at each end of the sunbed. Using the #10 x 1/2" white colored screws, attach the side skirts to the skirt mounting brackets. It is best not to tighten the screws until all are installed.
2. Position the front skirt against the two brackets on the front side of the stand. There is a slot in the underside of the bench that the front skirt is designed to fit into. Center the front skirt and use the skirt latch key to lock the skirt in place.



Sunbed body not shown for clarity

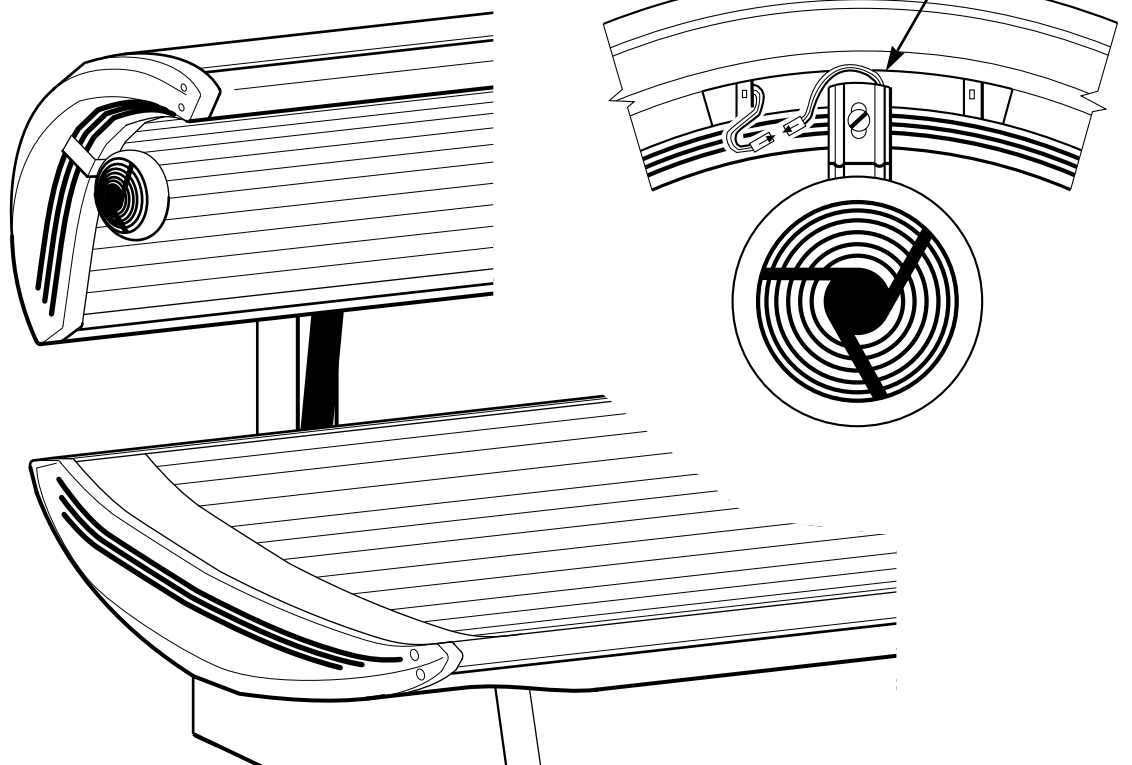


## Body Fan Assembly

### WARNING!

***Make sure sunbed unit is not connected to any power source before attaching body fan.***

1. Remove the center plastic insert from the foot end endcap of the sunbed canopy. Remove the pre-installed mounting bolt.
2. Orient the body fan bracket to the endcap so that the body fan is positioned inside the bed, as per illustration. Mount the body fan using the center bracket mounting hole. Route the body fan wire in one of the channels in the bracket to avoid pinching when the insert is replaced.
3. Plug the cord from the body fan into the cord from the bed (found behind the plastic insert removed in step 1).
4. Snap the insert back in place being careful not to pinch any wires in the process.



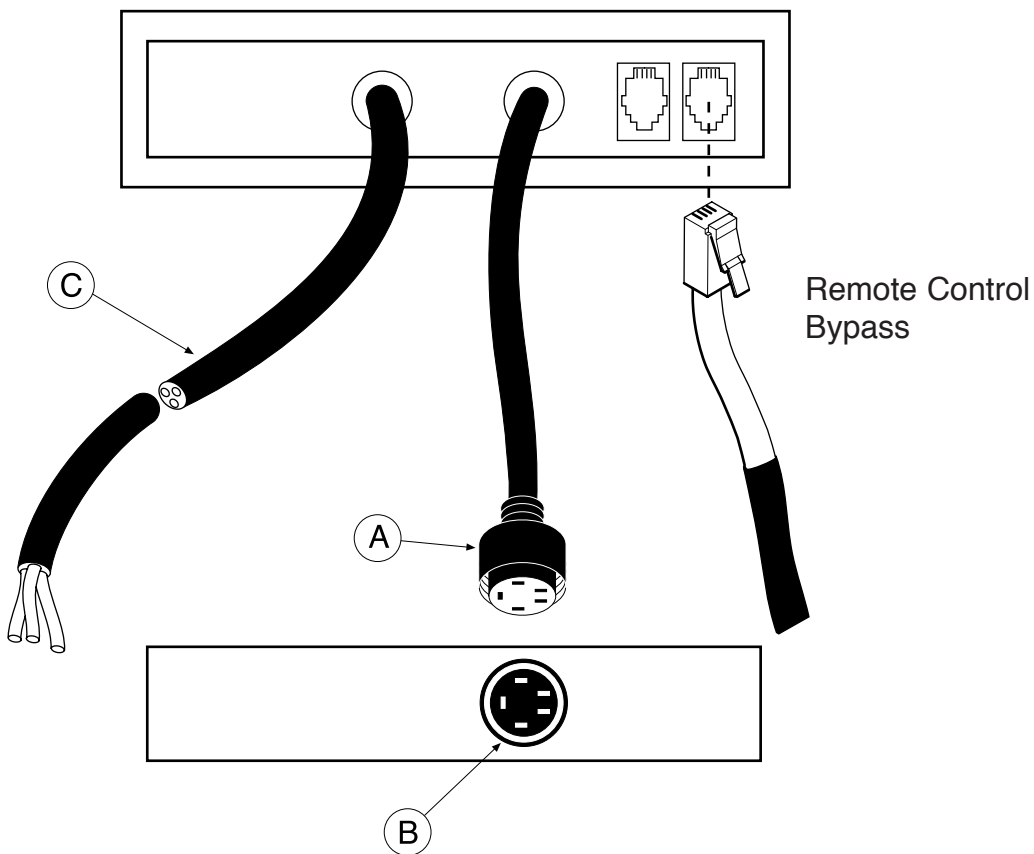


## Electrical Connections

At the rear of the bed, insert canopy plug (A) into bench socket (B). Connect power-cord (C) as described in *Pre-Installation Planning*. Connect the Remote Control Bypass to the Remote Control socket as shown. Your sunbed will not operate without the bypass or a remote system connected. Remove the protective film from the acrylic sheet. Your equipment is now ready for use.

**NOTE:** Your sunbed is designed to accept an input from a remote control device. The remote control is optional. If you plan on using a remote system refer to “*Remote Connections*”.

**CAUTION:** Although the Remote Control Bypass plug provided with your sunbed will work wherever a T-Max<sup>®</sup> terminator is called for in the series, the T-Max<sup>®</sup> terminator will not work as a bypass plug. A bypass plug is needed only when your sunbed is operated without a remote system connected.





## Remote Connections

Your sunbed incorporates advanced circuitry allowing it to connect and communicate with most remote control systems. If a remote system is to be used, first determine whether the remote system is a T-Max® System or a standard remote system operating with a control relay. Follow the appropriate instructions for your system type.

**Warning:** The remote connection is not designed to supply or accept high voltage, nor can it provide power to an external timer. The sunbed's remote interface circuitry operates on 5 volts, attempting to connect it to any higher voltages will damage the sunbed as well as void your warranty.

### T-Max® Manager Remote System

The T-Max® Manager remote system offers the ultimate in sunbed control, while allowing the tanner easy straightforward operation. This system is ideal for multiple sunbed installations. Your sunbed is already configured to directly connect to this system. The circuitry inside your sunbed eliminates the need for the T-Max® 1A when connecting to the T-Max® Manager series. To connect your bed to this system follow the instructions that came with your remote system, noting *figure 2* on the next page. After you have set the address, or "id" of each sunbed, simply connect the RJ-22 modular cable(s), described in the T-Max® Manager manual, directly into the port(s) located on the back of your sunbed. You can place your sunbed at any location in the series. Remember the last connection in the series requires a T-Max® terminator plug or Sunstar® bypass plug.

### T-Max® 1A Remote System

The T-Max® 1A offers the same control as the T-Max® Manager in single sunbed installations. For this, your 1A must be configured as a "master". If the 1A is not configured as a master it will not work in this application.

After you have set the address, or "id" on the T-Max® 1A and the sunbed simply connect the RJ-22 modular cables, described in the T-Max® user's guide, directly into either port located on the back of the sunbed and either port on the back of the T-Max® 1A. If the T-Max® 1A and the sunbed are more than 100 feet apart, terminators or SunStar® Remote Bypass plugs should be installed in the unused ports. See *figure 1*.

### Setting the Address

Before connecting your sunbed to the T-Max® Manager or T-Max® 1A, the address or "id" of your sunbed must first be set. The auto-addressing feature of the latest T-Max® Manager models is not compatible with this sunbed. Set the "id" manually as described below.

#### Setting the "id"

1. Verify that the sunbed display is indicating a "0".
2. Press and hold the stop button located on the sunbed display for three seconds and release. The display should indicate an "id" number from 1 to 99.
3. If you are using a T-Max® 1A as your remote the "id" of the sunbed must be set to "1". If you are using a T-Max® Manager each sunbed must be assigned a different "id". To set the "id" press the timer button until the desired number is achieved.

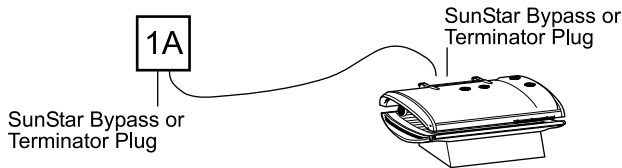


4. Press the stop button to return to the normal display mode.
5. If you are using a T-Max® 1A its “id” must be set to “0.0”. See your 1A manual for instructions. Also refer to your T-Max® 1A or Manager manuals to set other functions such as delay time and number of beds in the T-Max® Manager series.

### Remote Systems Using a Control Relay

Most non-T-Max® remote systems control the sunbed by the use of a relay. The relay operates the sunbed by connecting and disconnecting a pair of wires leading from the sunbed. Refer to the user’s manual provided with your remote system to determine if it operates in this way. To connect your sunbed to this type of system a remote interface kit is required. Call ETS at the phone number listed on the back of this guide to obtain the kit. *Figure 3* below details a typical connection. Follow the instructions provided with the kit and from the remote’s manual to make the necessary connections.

If you have questions consult the Troubleshooting guide in this manual or call ETS at the phone number listed on the back of this guide.



(Terminators or Bypass plugs needed if cable length is greater than 100 feet.)  
figure 1

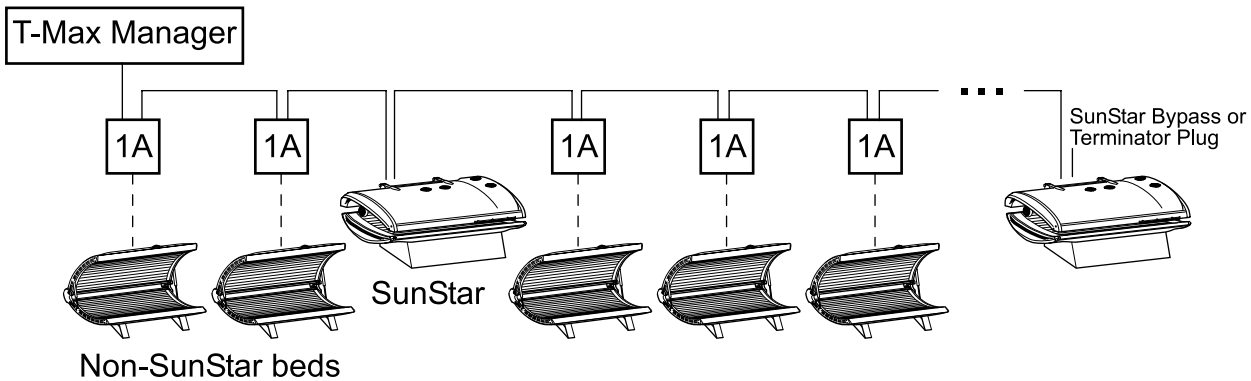


figure 2

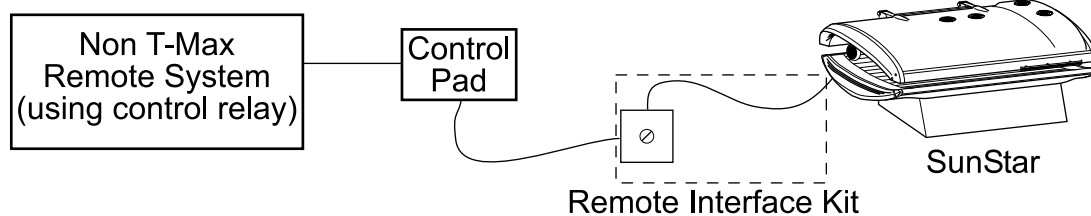


figure 3

# Operation



## Before You Tan

Before using your sunbed, please note the following important precautions:

- **WARNING!** Your sunbed is designed for individual use. Only one pair of protective goggles is provided. **Always** wear these or another approved pair of goggles. Regular sunglasses **do not** provide adequate protection from ultraviolet light. You should never look at the lamps when turned on without wearing the appropriate protective goggles.
- Your skin should be free of cosmetics, tanning oils, or other body lotions prior to tanning except for those specifically made for use with tanning devices. However, do not remove natural body oils by bathing or showering immediately before tanning.
- Your hair should be free of gels, mousses, sprays, or other hair products prior to tanning. These products can cause damage to the sunbed acrylic. As an alternative, a shower cap or towel can be worn to keep treated hair away from the sunbed surfaces.

- Some medication may **increase your sensitivity** to ultraviolet light. It is recommended that you consult a physician before using this sunbed if taking any medication or if you suspect that your skin might be especially sensitive to sunlight. Included with this manual is an FDA booklet on medications that increase sensitivity to light.
- As with all electrical appliances, **do not operate this device near water or while you are wet.**

## Exposure Times

We recommend that you tan every other day, following the tanning times in the exposure schedule. Tanning normally appears after the first few sessions and maximizes after approximately four weeks. Tan once or twice per week thereafter to maintain appearance. Persons already having a base tan may begin at advanced levels corresponding to the extent of their base tan.

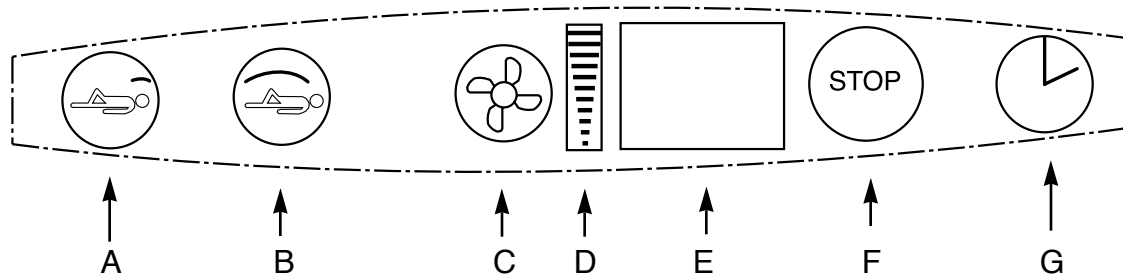
Follow the guidelines for skin type and exposure times as shown in the table below.

RECOMMENDED EXPOSURE TIMES IN MINUTES		MAXIMUM EXPOSURE TIME IS 20 MINUTES				
Skin Type:		Level 1/Week 1 1st-3rd Sessions	Level 2	Level 3	Level 4	Subsequent Maximum
I Sensitive Skin	(Burns easily and severely and does not tan.)	NOT RECOMMENDED FOR TANNING				
II Light	(Burns easily and severely and tans minimally.)	4	8	12	16	20
III Normal	(Burns moderately and tans average.)	6	10	15	20	20
IV Dark	(Burns minimally, tans easily and above average.)	8	12	16	20	20



## Using Your Sunbed

When connected to the T-Max<sup>®</sup> Manager or T-Max<sup>®</sup> 1A



- |  |   |
|--|---|
| <p><b>A Face tanner control</b> - Turns face tanner on and off during use. (Units equipped with face tanner)</p> <p><b>B Main lamp control</b> - Turns body lamps on and off during use. (Units equipped with face tanner)</p> <p><b>C Body fan control</b> - Controls the speed of the body fan during use.</p> <p><b>D Body fan speed indicator</b> - Indicates speed of fan. (OFF - LOW - MED - HIGH)</p> <p><b>E Timer display</b> - Displays remaining time.</p> <p><b>F Stop button</b> - Interrupts timer circuitry.</p> <p><b>G Timer button</b> - Turns bed on. Timer display shows remaining time. If a lesser time is desired, repeatedly press timer button until desired time is displayed.</p> | <ol style="list-style-type: none"> <li>1. Lift the canopy, lie down on the bench (face up), and lower the canopy toward your body using the canopy handle. For best results, position the canopy as close as possible to your body. For units with face tanners, maintain at least 1 inch between the face tanner and your face.</li> <li>2. Assuming the remote system has been set to allow a pre-tanning delay time, the timer display (E) will repeatedly flash the delay symbol "dL" and then the remaining delay time. Press the timer button (G) or wait until the delay time has expired to begin the tanning session. The lamps will turn on and the timer will begin to count down. If the timer did not display a "dL", see <i>Troubleshooting</i>.</li> <li>3. If a tanning time less than the displayed time is desired repeatedly press the timer button (G) to decrease the remaining time.</li> <li>4. When the timer reaches 0 the lamps turn off. If you want to stop your session before time expires press the stop button (F).</li> <li>5. Raise the canopy by using the outer edge of the canopy, do not push up on the acrylic shield. The cooling fans run for 3 minutes after the lamps shut off to aid in cooling the sunbed. The timer will then indicate ". .", this is a reminder to clean the sunbed. After the sunbed is cleaned press the timer button and the display will return to "0".</li> </ol> |
|--|---|

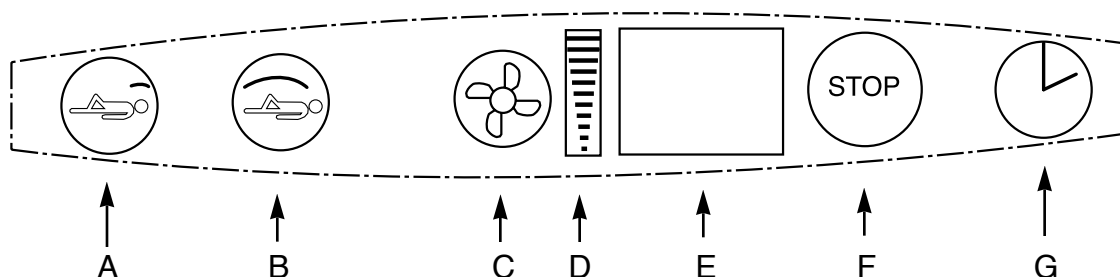




## Using Your Sunbed

When configured as a stand alone unit or when connected to a remote system using a control relay.

If your sunbed is connected to a T-Max<sup>®</sup> Manager remote system, see *Using Your Sunbed When connected to the T-Max<sup>®</sup> Manager*, previous page.



- A Face tanner control** - Turns face tanner on and off during use. (Units equipped with face tanner)
  - B Main lamp control** - Turns body lamps on and off during use. (Units equipped with face tanner)
  - C Body fan control** - Controls the speed of the body fan during use.
  - D Body fan speed indicator** - Indicates speed of fan. (OFF - LOW - MED - HIGH)
  - E Timer display** - Displays remaining time.
  - F Stop button** - Interrupts timer circuitry. You may restart with remaining time within 10 seconds. After 10 seconds timer resets to 0 minutes.
  - G Timer button** - Turns bed on. Timer display shows remaining time. If a lesser time is desired, repeatedly press timer button until desired time is displayed.
1. Lift the canopy, lie down on the bench (face up), and lower the canopy toward your body using the canopy handle. For best results, position the canopy as close as possible to your body. For units with face tanners, maintain at least 1 inch between the face tanner and your face.
  2. Start the sunbed by pressing the timer button (G), located at the head end of the canopy. The lamps will turn on and the timer display (E) will indicate the session time remaining. If less than the maximum tanning time is desired, repeatedly press the timer button (G) until the desired time is indicated.
  3. When the timer reaches 0, the lamps will turn off. If you want to stop your session before time expires press the stop button (F). The sunbed will then allow you ten seconds to reactivate the bed with the unused time. After ten seconds the timer system resets back to 0 minutes.
  4. Raise the canopy by using the outer edge of the canopy, do not push up on the acrylic shield. The cooling fans run for 3 minutes after the lamps shut off to aid in cooling the sunbed.

# Care & Maintenance

---

## Introduction

Your tanning bench has an hour meter which keeps track of how many hours the sunbed has been in operation. Use this meter to determine when your tanning bed requires maintenance. To help keep track of scheduled maintenance see the *Maintenance Schedule*.

## Cleaning After Use

Clean and disinfect your tanning bed's bench and canopy after each use. Use a non-abrasive disinfectant cleaner that **does not contain ammonia or ammonia derivatives**. Ammonia may damage the acrylic shield. Spray the acrylic lightly with disinfectant and wipe dry with a clean soft cloth. We recommend *SunQuest*® disinfectant and *SunQuest*® acrylic cleaner.

## Thorough Periodic Cleaning

### Introduction

The cooling fans draw air through the bed and over time will cause a dust buildup on the lamps and reflectors. This will reduce the tanning effectiveness of the bed. When a dust buildup is observed, it is necessary to thoroughly clean the inside of the bench and canopy. **Warning!** Disconnect sunbed from electrical power before cleaning.

## Cleaning the Canopy and Bench

- Step 1.** Remove the acrylic shields and lamps as described in *Lamp and Acrylic Replacement*.
- Step 2.** With a soft cloth, wipe the entire length of each lamp to remove any film buildup.
- Step 3.** Clean both sides of the acrylic shields with a non-ammonia disinfectant cleaner.
- Step 4.** Wipe the reflectors with a clean damp cloth.
- Step 5.** Reinstall the lamps and acrylic shields.

## Mechanical Inspection

Your tanning bed has been built for years of service. To ensure trouble-free operation throughout its life, inspect the unit's mechanical integrity every 400-500 hours of use.

- Inspect the unit's fasteners verifying that all are firmly in place.
- Inspect gas springs for signs of wear. Gas springs that will not hold up the canopy when raised should be immediately replaced. See *Troubleshooting*.
- Inspect the AC power cord and its connections for wear.
- Inspect the acrylic. Broken, cracked or badly scratched acrylics should be immediately replaced.



## Lamp and Acrylic Replacement

### Introduction

To be assured of maximum tanning effectiveness, change lamps after approximately 800-1000 hours of use. Tanning will continue after these times but at a slower rate. To ensure trouble-free operation of your sunbed, replace the lamp starters whenever the lamps are replaced.

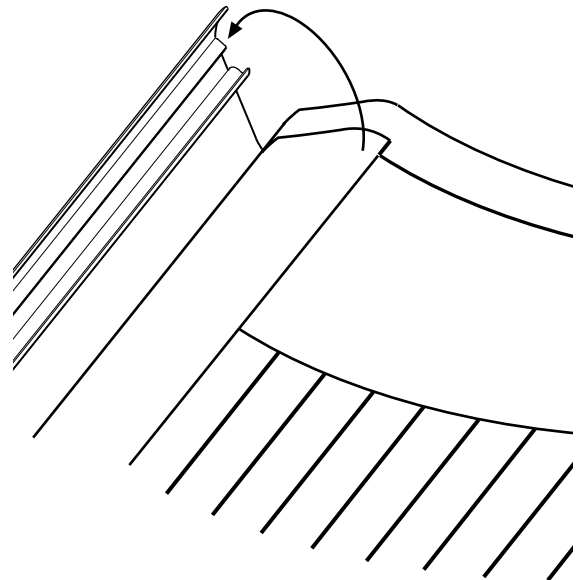
**Warning! Disconnect sunbed from electrical power before servicing.**

### Removing/Replacing Acrylic Shields

**Step 1.** The acrylic shields in the canopy and bench are both secured in place by hinged side profiles which run the length of the canopy and bench, both front and back. Gently pry up on the acrylic side of the profile, working your way along the full length of the acrylic shield until the profile swings open. Repeat for the other profile. The edges of the acrylic are now exposed.

**Step 2.** Standing at the front of the unit, lift the exposed edge of the acrylic slightly and carefully begin sliding it toward you, until it is removed from the sunbed. This will be easier with the help of another person.

**Step 3.** After changing lamps, replace the acrylic shield by carefully aligning it with the channels on the ends of the sunbed and sliding it into place. Press the profiles back in place.





### Removing/Replacing Lamps

After removing the acrylic shield, replace lamps as follows:

- Step 1.** Grasp the lamp at one end and at the middle and turn the lamp a quarter turn. Gently remove the lamp from its holders.
- Step 2.** To reinstall a lamp, insert the pins located on the ends of the lamp into the slots on top of the lamp holders and turn the lamp a quarter turn.

### Recommended Replacement Lamps

We recommend using the lamps specified below. Use of uncertified lamps is a violation of Federal regulations and will void your warranty. These lamps have an average life of 800-1000 hours of effective tanning use. Lamps used longer than that begin to lose their effectiveness even though they will continue to light.

### Recommended Replacement Acrylics

Acrylics vary greatly over time in their ability to effectively transmit UV light. Acrylics sold by ETS have been life tested to ensure proper transmission throughout their useful life.

*Only the following lamp types have been certified for use in your SunStar® Solarium*

#### SUPER ZX32 3F

Application	Lamp Model Number
Canopy and Bench	Diamond Sun® S Wolff® Model 71T12100W
Facial Unit	Philips Model HPA 400/30s CosmoTech Model 23045 CosmoTech Model 20046

*Only the following lamp types have been certified for use in your SunStar Solarium*

#### SUPER ZX32T

Application	Lamp Model Number
Canopy and Bench	Diamond Sun® S Wolff® Model 71T12100W
Turbo Face Tanner	Turbo Sun™ S Wolff® Model F8-T5-10W

*Only the following lamp types have been certified for use in your SunStar Solarium*

#### SUPER ZX32

Application	Lamp Model Number
Canopy and Bench	Diamond Sun® S Wolff® Model 71T12100W



### Removing/Replacing Face Tanner Lamp on F Models

After removing the canopy acrylic shield, replace the face tanner lamp as follows:

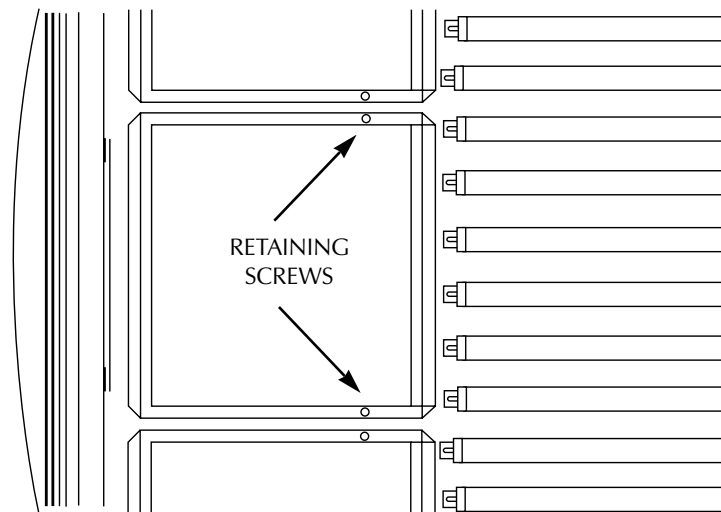
**Step 1.** Support the face tanner assembly with your hand while unscrewing the two retaining screws. The face tanner glass casing will now swing downward.

**Step 2.** The lamp can now be exchanged. The lamp holders are equipped with spring contacts which enables the lamp to be removed easily. Remove the old lamp and discard. Install the new lamp, using a clean cloth or paper towel. Ensure that the lamp is firmly seated in the lamp holders.

**Note!** Never take hold of the lamp such that your fingers are in contact with the lamp glass. Finger oils will greatly reduce the lamp's operational life.

**Step 3.** Gently close the face tanner glass casing and lock it closed with the screws. Ensure that the screws firmly secure the glass casing.

**Warning!** Never turn the equipment on while the face tanner is disassembled or when the glass filters have been removed. The direct light can cause severe injury to the eyes and to other areas of the body. Immediately discontinue use of this equipment if the face tanner glass is broken or if any unfiltered light can be seen escaping the face tanner assembly.



# Troubleshooting



Problem	Solution
Sunbed not tanning	<ol style="list-style-type: none"> <li>1. Clean sunbed, see <i>Thorough Periodic Cleaning</i>.</li> <li>2. Ensure supply voltage is between 208 and 230V AC.</li> <li>3. Replace lamps if lamp hours are greater than 800hrs.</li> <li>4. Replace acrylic.</li> </ol>
Lamps fail to light and timer display is blank	<ol style="list-style-type: none"> <li>1. Make sure the unit is connected to a power source.</li> <li>2. Check source of AC power. Reset circuit breaker or replace fuse.</li> </ol>
Timer display changes to indicate a tanning time after the timer button is pressed but lamps do not come on	<ol style="list-style-type: none"> <li>1. Bypass plug is not installed, see <i>Electrical Connections</i>.</li> <li>2. A non-SunStar® bypass has been used. See <i>Electrical Connections</i>.</li> <li>3. If remote is being used, other than T-Max® Manager, the external timer may not be activated.</li> <li>4. Remote wiring is incorrect, see the instructions provided with the remote interface kit.</li> </ol>
My bed is connected to the T-Max® Manager remote system and when the delay time has expired the timer display starts counting down but the bed lights do not come on	<p>The auto start feature of the remote system is disabled, see the instructions provided with your remote system.</p>
My bed won't work with the T-max® Manager remote systems	<ol style="list-style-type: none"> <li>1. The sunbed must first be set to a unique address, see <i>Remote Connections</i>.</li> <li>2. The bypass or terminator plug may be installed in the series in an inappropriate location. Plug the bypass plug only into the bed at the end of the series.</li> </ol>
Timer display continues to show a 0 after the timer button is pressed	<ol style="list-style-type: none"> <li>1. T-Max® Manager remote system has not yet been set.</li> <li>2. Sunbed address is not set correctly, see <i>Remote Connections</i>.</li> </ol>
The last minute of tanning time does not count down from 59 seconds, but some time less than 59 seconds	<p>If the timer button has been pressed to decrease tanning time during the session, the time expired in the current minute is subtracted from the last minute.</p>



Problem	Solution
One or more lamps fail to light	<ol style="list-style-type: none"> <li>1. Check that lamp is installed correctly.</li> <li>2. Switch unlit lamp with a lamp that lights, if new lamp lights and old lamp still does not, replace old lamp.</li> </ol>
The face tanners will not come on	<ol style="list-style-type: none"> <li>1. Face tanner operation is initially delayed by 5 seconds.</li> <li>2. Face tanners will not relight until cooled.</li> <li>3. Replace face tanner lamp, see <i>Removing/Replacing Face Tanner Lamp on F Models</i>.</li> </ol>
The canopy will not stay up	<p>NOTE: Gas springs are manufactured to hold the canopy in its fully open position as well as allow it to rest fully closed. If left open for an extended period of time some creep down may occur. This is considered normal. Keep the unit closed when not in use. If the canopy will not stay fully open when raised...</p> <ol style="list-style-type: none"> <li>1. Raise and lower the canopy a few times to lubricate gas spring internal seals.</li> <li>2. Replace gas springs.</li> </ol>
My bed is connected to a T-Max <sup>®</sup> remote system but I am having trouble getting into "id" mode	<p>You have probably attempted to connect your sunbed to the remote system already. Disconnect the remote plug(s) from the ports at the back of the sunbed, wait 90 seconds and try again.</p>
<p>My bed, connected to a T-Max<sup>®</sup> Manager, did not display "dL" but does indicate: "0"</p> <p>a tanning time and the lamps have come on</p> <p>a tanning time but the lamps have not come on</p>	<ol style="list-style-type: none"> <li>1. Remote device has not been set.</li> <li>2. The sunbed has not been connected to the remote system, see <i>Remote Connections</i>.</li> </ol> <ol style="list-style-type: none"> <li>1. Delay time of T-Max<sup>®</sup> Manager has not been set.</li> <li>2. Delay time has expired and session has begun.</li> </ol> <p>Auto start function of T-Max<sup>®</sup> Manager has been turned off. Press the timer button to turn on lamps.</p>
Timer display is indicating Er 1	<p>Body lamps are on when they should be off, have service technician check the contactor.</p>
Timer display is indicating Er 2	<p>Body lamps are off when they should be on, have service technician check contactor and its wiring from the main timer box.</p>



Problem	Solution
Timer display is indicating Er 3	Bench lamps are on when they should be off, have service technician check the contactor.
Timer display is indicating Er 4	Bench lamps are off when they should be on, have service technician check the contactor and its wiring from the main timer box.
Timer display is indicating Er 5	Not currently used
Timer display is indicating Er 6	Not currently used
Timer display is indicating Er 7	Face Tanner contactor is closed when it should be open, have service technician check the contactor.
Timer display is indicating Er 8	Face Tanner contactor is open when it should be closed, have service technician check the contactor and its wiring from the main timer box.
Timer display is indicating Er 9	Ballast Drawer is open or drawer switch is broken.
Timer display is indicating Er 10	Timer computer is in an illegal state, reset power to correct, replace main timer if error reoccurs.
Timer display is indicating Er 11	Timer computer is in an illegal state, reset power to correct, replace main timer if error reoccurs.
Timer display is indicating Er 12	Timer computer is in an illegal state, reset power to correct, replace main timer if error reoccurs.
Timer display is indicating Er 13	Timer computer is in an illegal state, reset power to correct, replace main timer if error reoccurs.
Timer display is indicating Er 14	The timer display is not responding; <ol style="list-style-type: none"> <li>1. Check cable to display.</li> <li>2. Replace display assembly.</li> <li>3. Replace main timer box.</li> </ol>
Timer display is indicating Er 15	Timer computer is in an illegal state, reset power to correct, replace main timer if error reoccurs.







**CALL FOR SERVICE OR  
QUESTIONS:**

**1•800•449•3605**



**6270 Corporate Drive  
Indianapolis, IN 46278-2900**

**Record this information for ease of service**

Date Purchased \_\_\_\_\_

Canopy Serial Number \_\_\_\_\_

Bench Serial Number \_\_\_\_\_